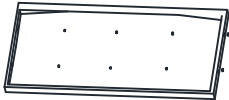
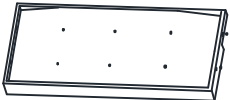
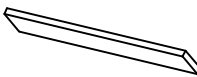
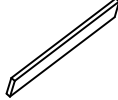

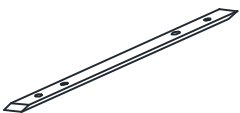




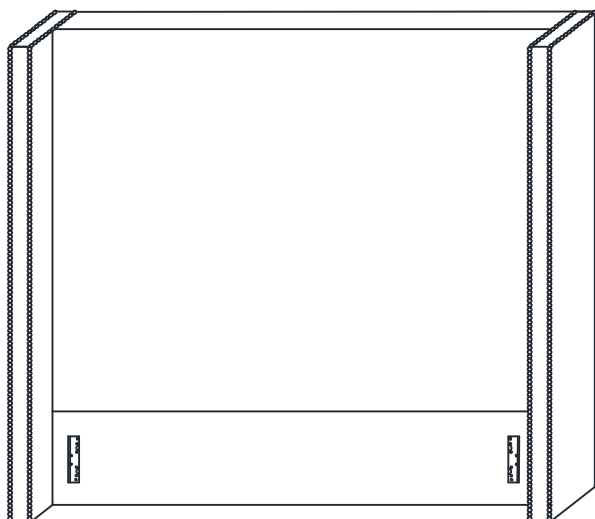


ASSEMBLY INSTRUCTIONS

EASTERN KING HEADBOARD

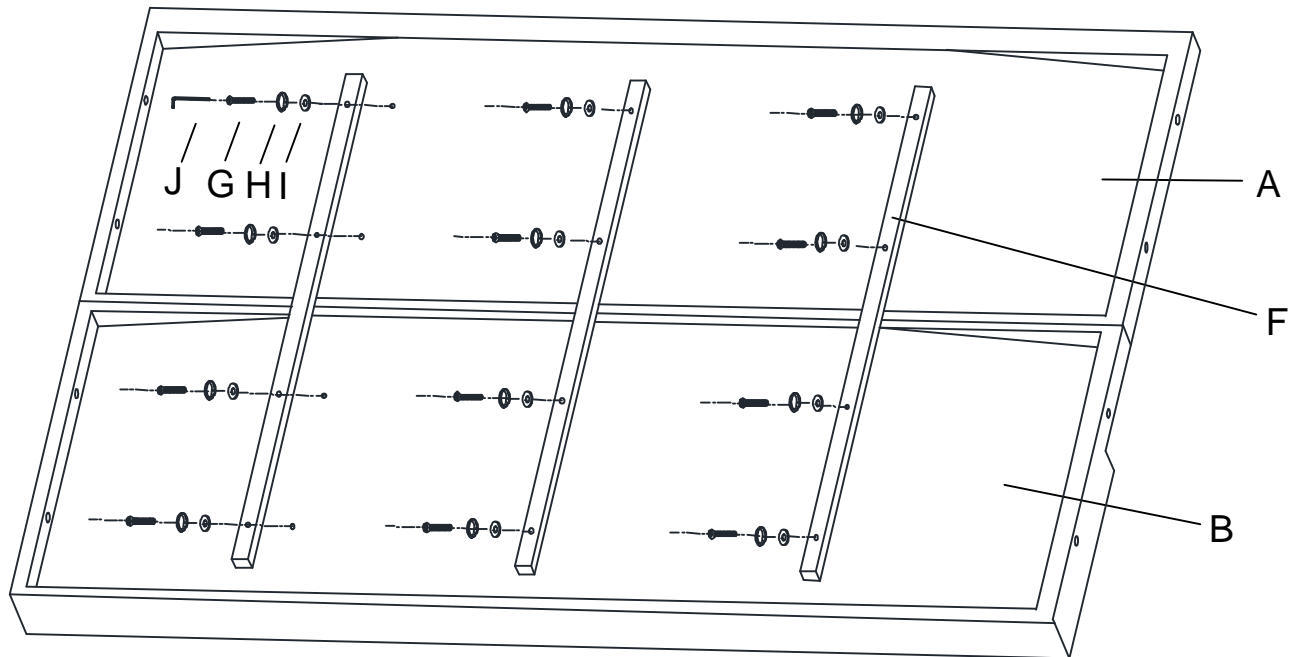
| | | | | |
|---|--|--|--|--|
| A Upper Part of Headboard  1pc | B Lower Part of Headboard  1pc | C Left Side Panel  1pc | D Right Side Panel  1pc | E Single-Sided Cover (In other carton)  1pc |
| F Slat  3pcs | G Bolt 1/4" x 50mm  20pcs | H Lock Washer 1/4"  20pcs | I Flat Washer 1/4"  20pcs | J Allen Wrench 1/4"  1pc |



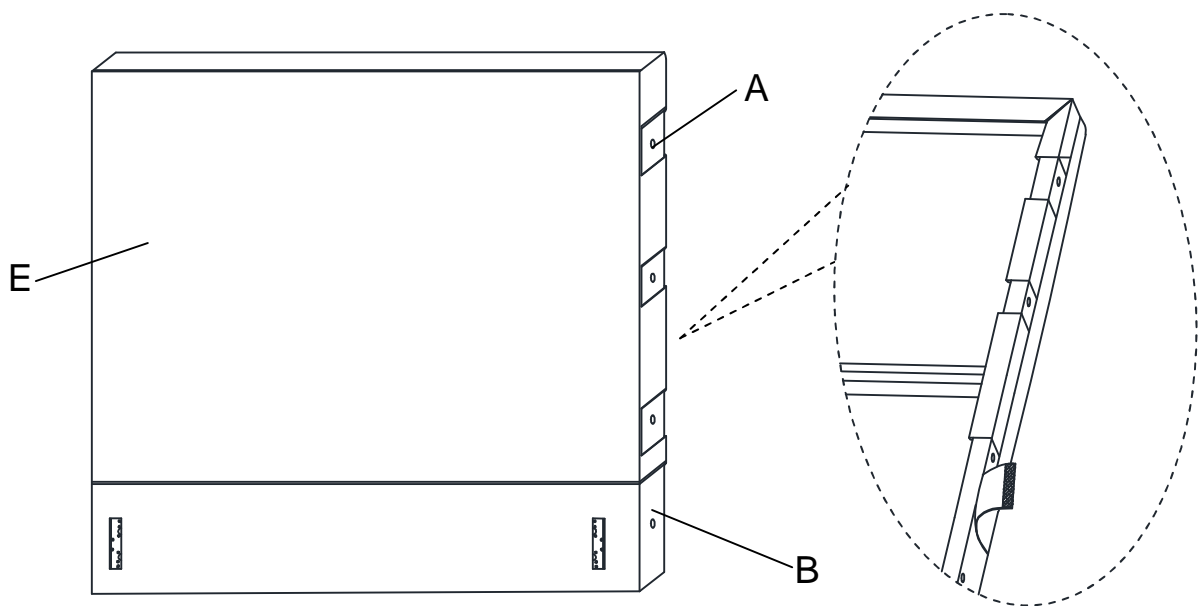
This page lists all the contents included in the box. Please take the time to identify the hardware as well as the individual components to this product. As you unpack and prepare for assembly, place the contents on a carpeted or padded area to protect them from damage.

Notice: This product requires more than two people for assembly.

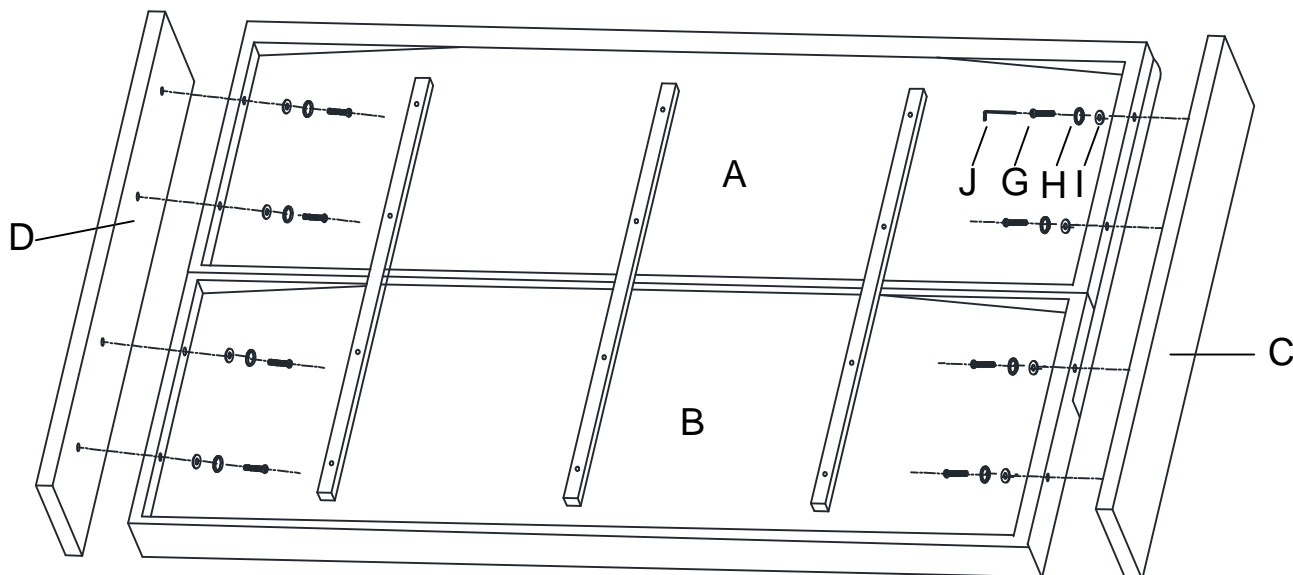
- 1 Attach Slat (F) to Upper & Lower Part of Headboard (A & B) using Bolt (G), Lock Washer (H) and Flat Washer (I) with Allen Wrench (J).



- 2 Place Single-Sided Cover (E) on the front of Headboard (A & B), then attach the Velcro at the back of Headboard (A & B).



- 3** Attach Left & Right Side Panel (C & D) to Headboard (A & B) using Bolt (G), Lock Washer (H) and Flat Washer (I) with Allen Wrench (J).



Helpful Tip:

- After assembly, if fabric is not smooth or wrinkled, please iron it.

Cleaning & Care

Treat surfaces with care. Surfaces are resistant to scratches but are not scratch resistant. Clean surfaces with a dry or damp soft cloth. Do not use abrasive cleaners. Hardware may loosen over time. Periodically check that all connections are tight.

ASSEMBLY INSTRUCTION

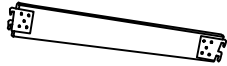
WINGBACK KING BED WITH REGULAR SLATS

A Footboard



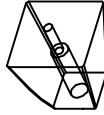
1 pc

B Side Rails



2 pcs

C Wooden Leg



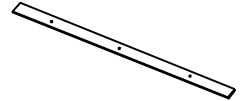
2 pcs

D Support Leg



15 pcs

E Wooden Slat



5 pcs

F Screw



20 pcs

G Bolt
1/4" x 75mm



2 pcs

H Bolt
1/4" x 50mm



15 pcs

I Flat Washer



17 pcs

J Lock Washer

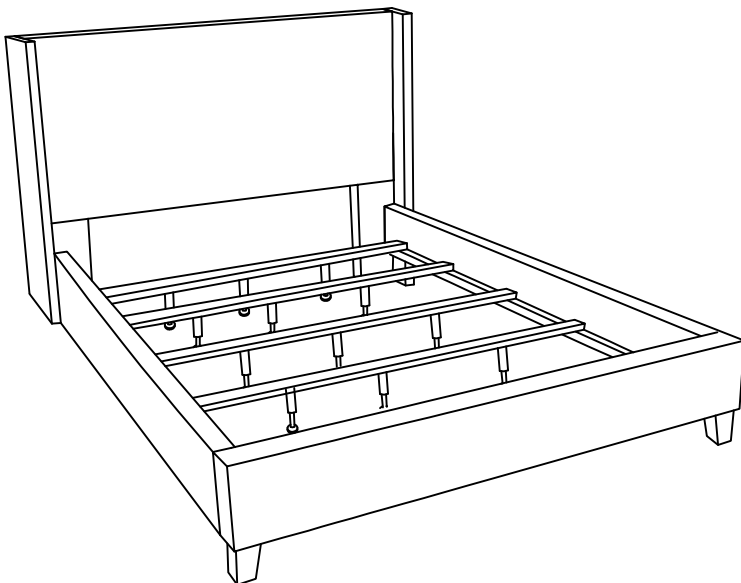


17 pcs

K Allen Wrench

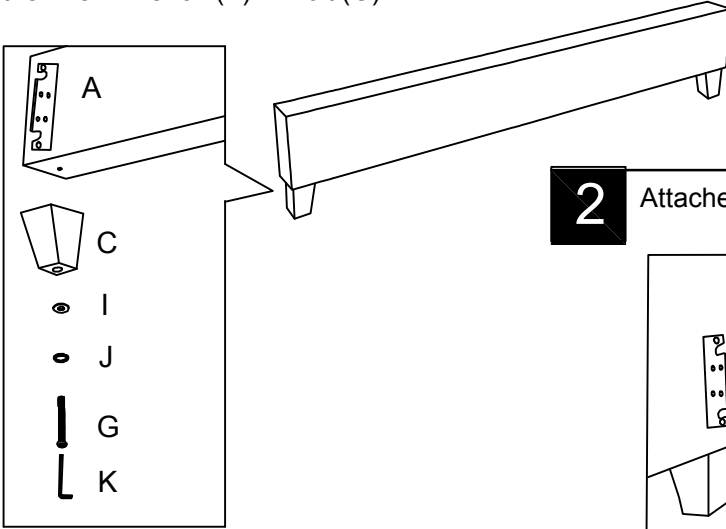


1 pc

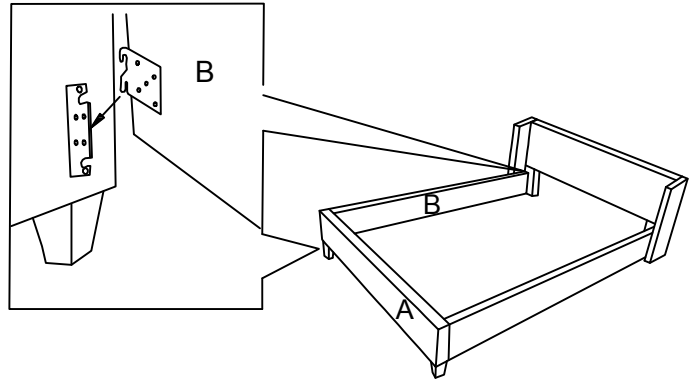


This page lists all the contents included in the box. Please take the time to identify the hardware as well as the individual components to this product. As you unpack and prepare for assembly, place the contents on a carpeted or padded area to protect them from damage.

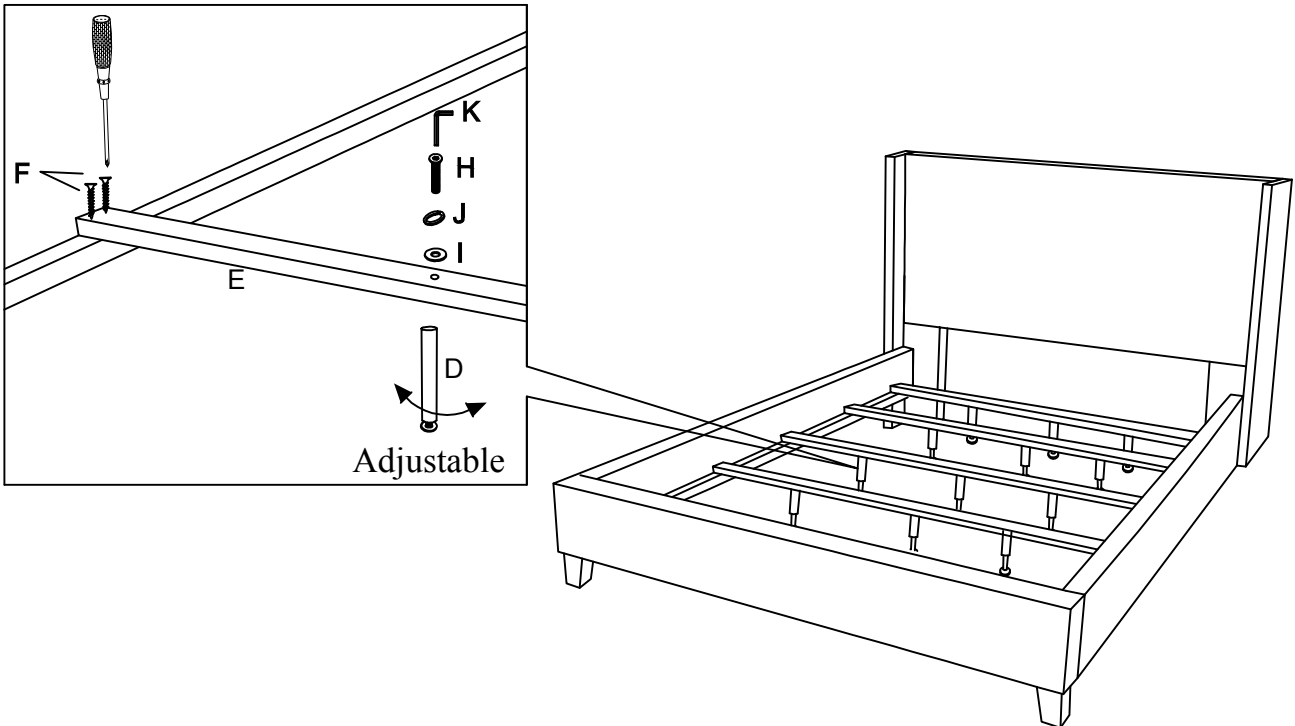
- 1** Attached Wooden Leg (C) to the Footboard (A) use Bolt (G), Lock Washer (J) and Flat Washer (I) on both of holes. Turn the Allen Wrench (K) in Bolt (G).



- 2** Attached Side Rail (B) to the Headboard and Footboard (A).



- 3** Assembly Wooden Slats (E) and Support Leg (D) use Flat Washer (I), Lock Washer (J) and Bolt (H), Turn the Allen Wrench (K) in Bolt (H).

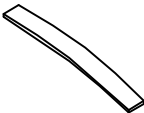

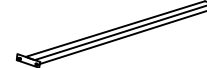
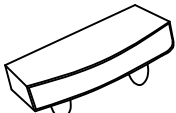
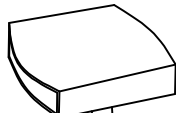












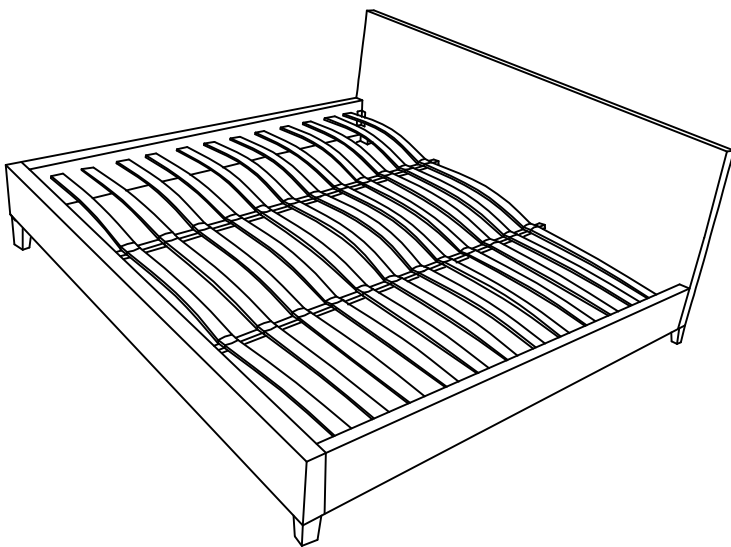
Cleaning & Care

Treat surface with care. Surface is resistant to scratches but is not scratch resistant. Clean surfaces with a dry or damp soft cloth. Do not use abrasive cleaners. Hardware may loosen over time. Periodically check that all connections are tight.

ASSEMBLY INSTRUCTION

KING BED - EURO SLATS PARTS

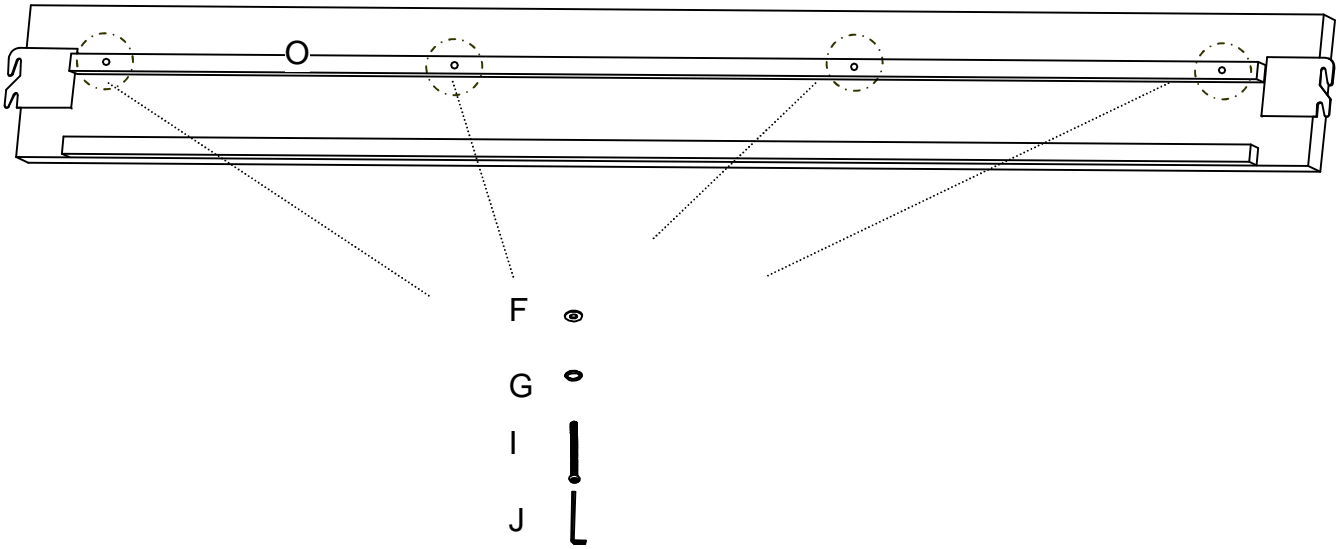
| | | | | |
|--|---|---|--|---|
| A Wooden Slat  39pcs | B Support Leg  8pcs | C Iron Pipe  2pcs | D Single-Sided Cover  26pcs | E Double-Sided Cover  26pcs |
| F Flat Washer  28pcs | G Lock Washer  24pcs | H Bolt 1/4" x 30mm  4pcs | I Bolt 1/4" x 50mm  16pcs | J Allen Wrench  1pc |
| K Iron Pipe  1pc | L Bolt 1/4" x 65mm  4pcs | M Nut  4pcs | N Wrench  1pc | O Iron Pipe  2pcs |



This page lists all the contents included in the box. Please take the time to identify the hardware as well as the individual components to this product. As you unpack and prepare for assembly, place the contents on a carpeted or padded area to protect them from damage

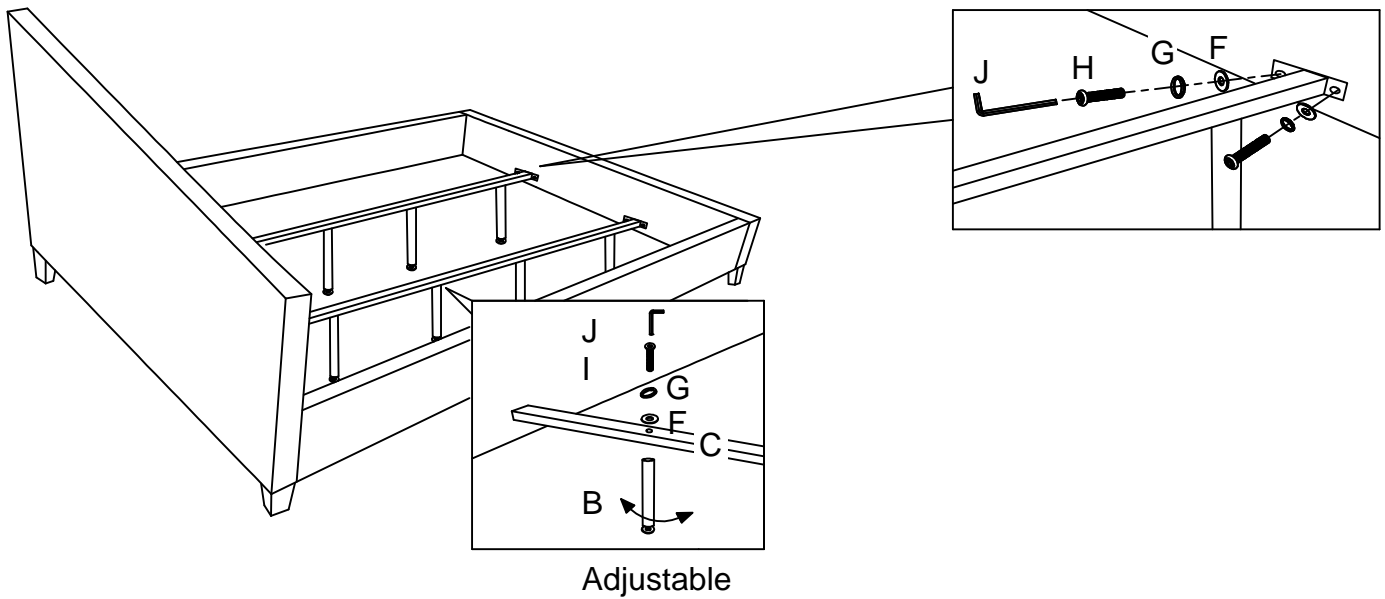
1

Attached Iron Pipe(O) to the both Side Rails use Bolt(I), Flat Washer(F), Lock Washer(G) by Allen Wrench(J).



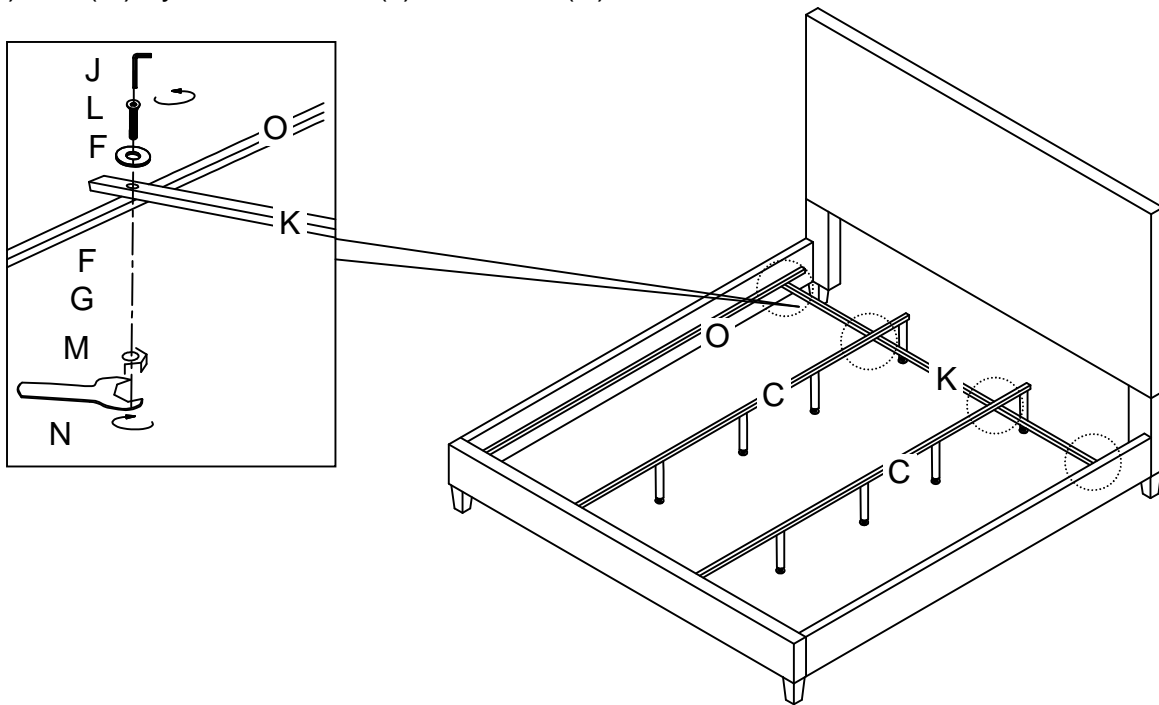
2

Attached Support Leg(B) to the Iron Pipe(C) use Bolt(I), Flat Washer(F), Lock Washer(G) by Allen Wrench(J). Then assembly Iron Pipe(C) to Footboard use Bolt(H), Flat Washer(F), Lock Washer(G) by Allen Wrench(J).



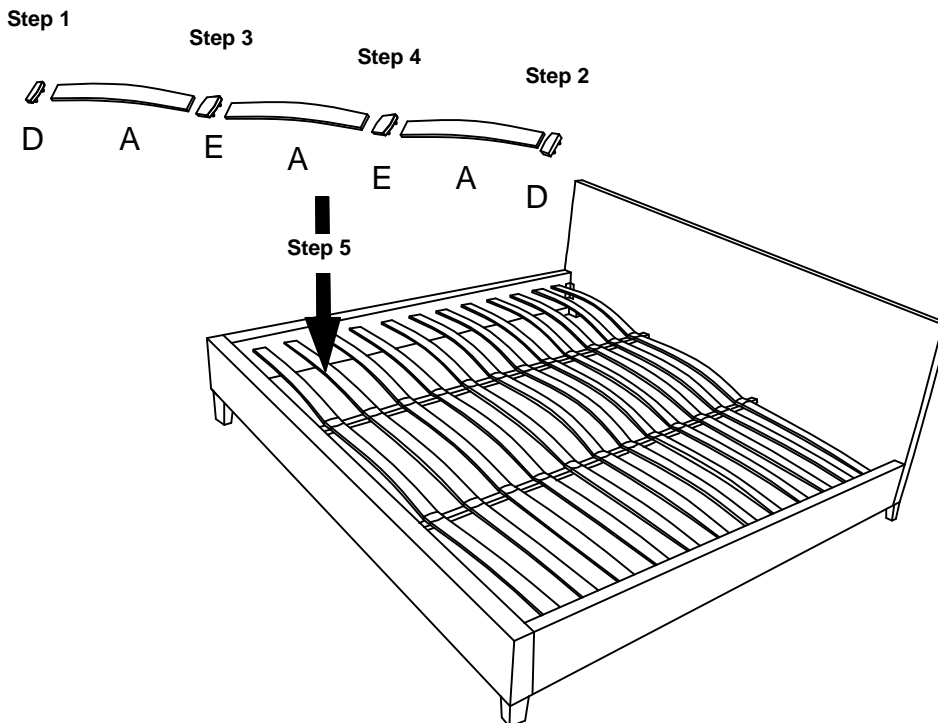
3

Assembly Iron Pipe(K) to Iron Pipe(O) and Iron Pipe(C) with Bolt(L), Flat Washer(F), Lock Washer(G), Nut(M) by Allen Wrench(J) & Wrench(N).



4

Attach Wooden Slat(A) with Single-Sided Cover(D) at both end, then attach the Wooden Slat(A) into Double-Sided Cover(E) and press downward Double-Sided Cover(E) lock in the hole on the center metal rail.



Cleaning & Care

Treat surface with care. Surface is resistant to scratches but is not scratch resistant. Clean surfaces with a dry or damp soft cloth. Do not use abrasive cleaners. Hardware may loosen over time. Periodically check that all connections are tight