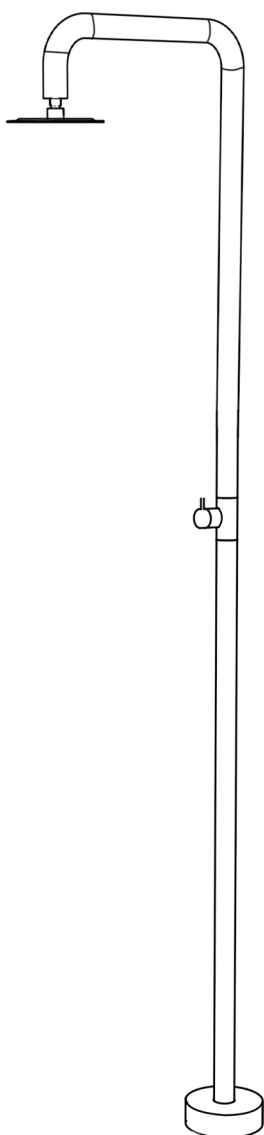
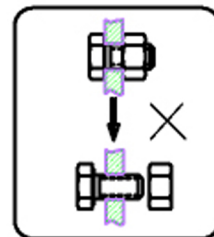


# Outdoor Shower Installation Instructions



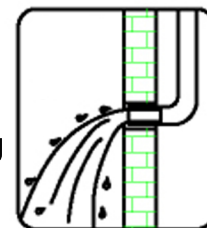
## Product Inspection:

This product has been inspected and adjusted to its optimal condition.  
Please unpack and prepare all parts for installation.

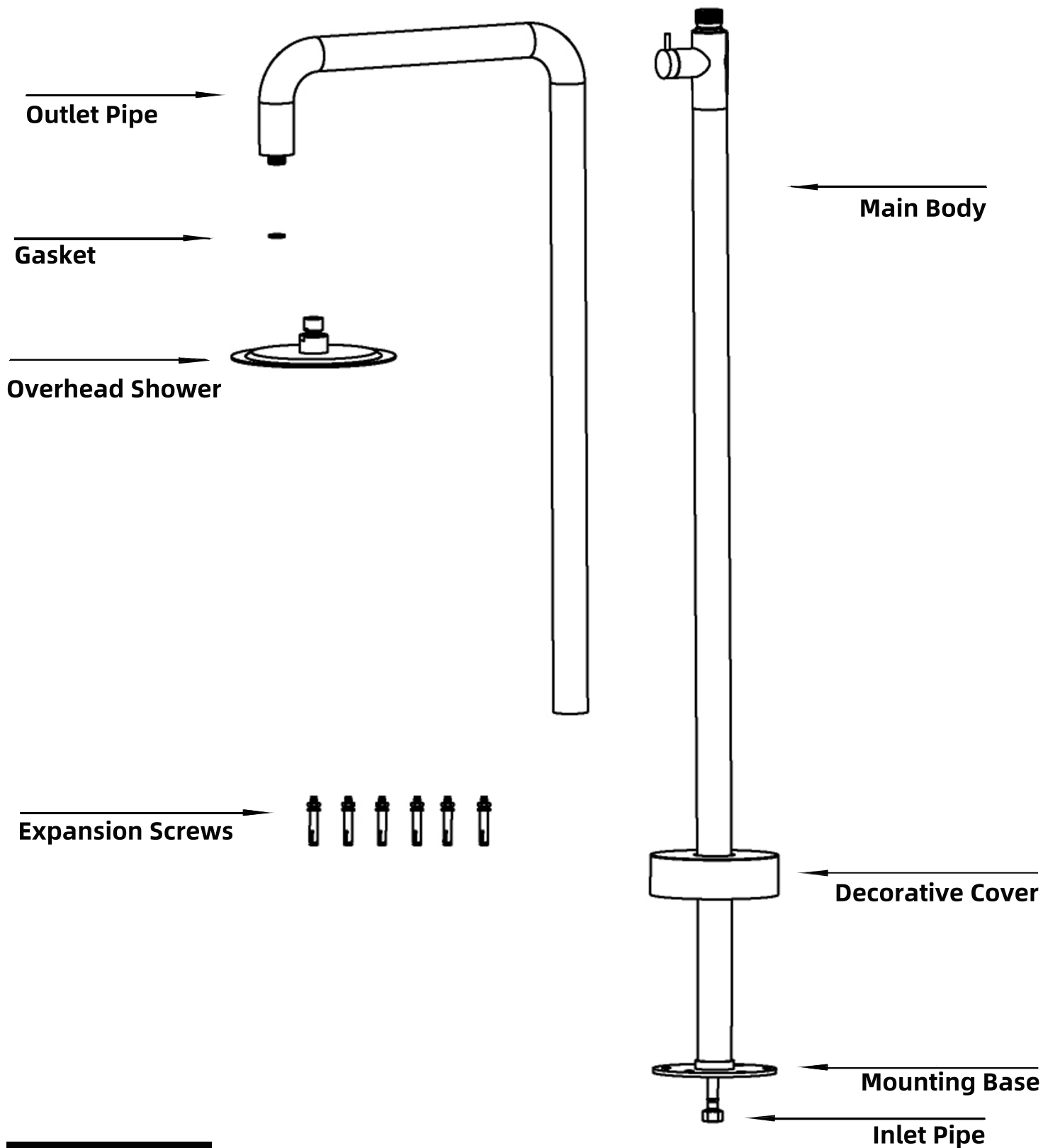


## Before Installation:

Ensure that the water pipes are free of debris and dirt to prevent clogging the shower head, which could affect water flow.



**Please Do Not Return the Product to the Store.**  
Contact us with any questions.



## Check Parts

### Standard Accessories List:

When you open the package, check if the main body and accessories match your purchase. If not, contact the seller.

### Note:

1. Accessories may change without prior notice under non-impact conditions.
2. Product appearance is subject to the actual item; diagrams are for reference only.

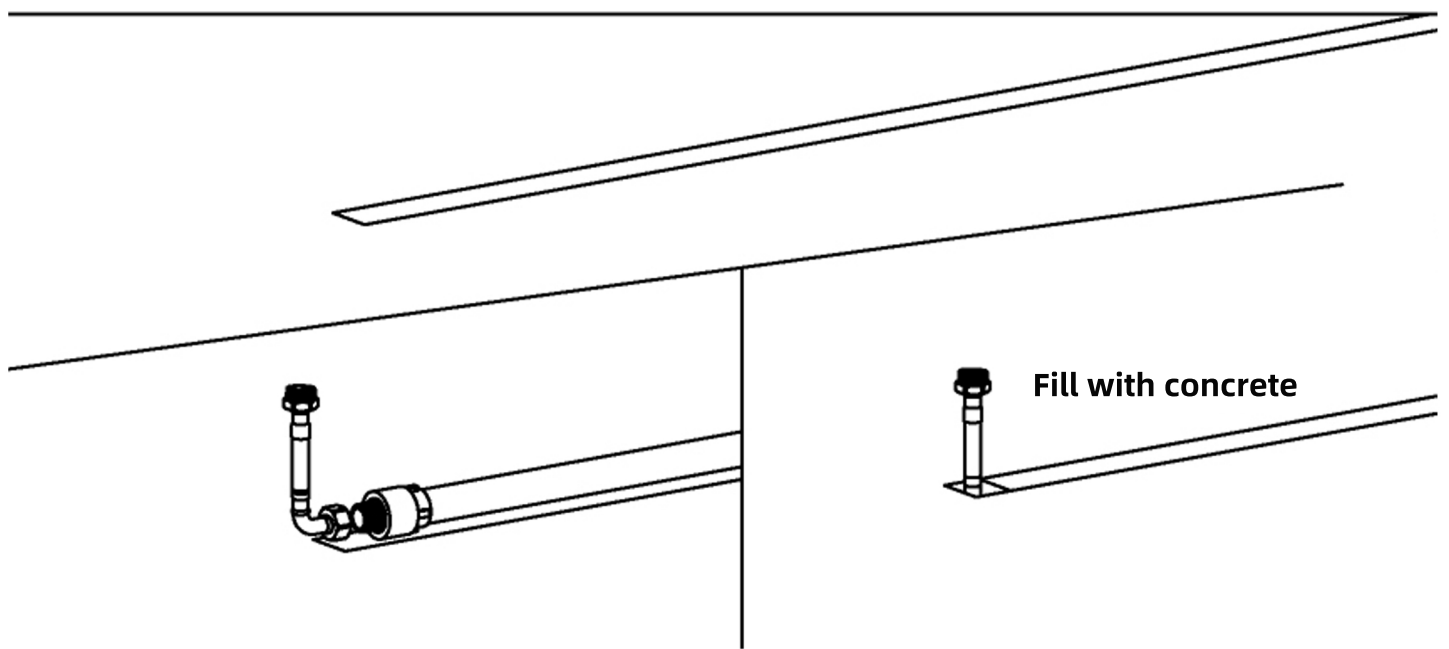
# Installation Steps:

This product requires installation on the ground surface.

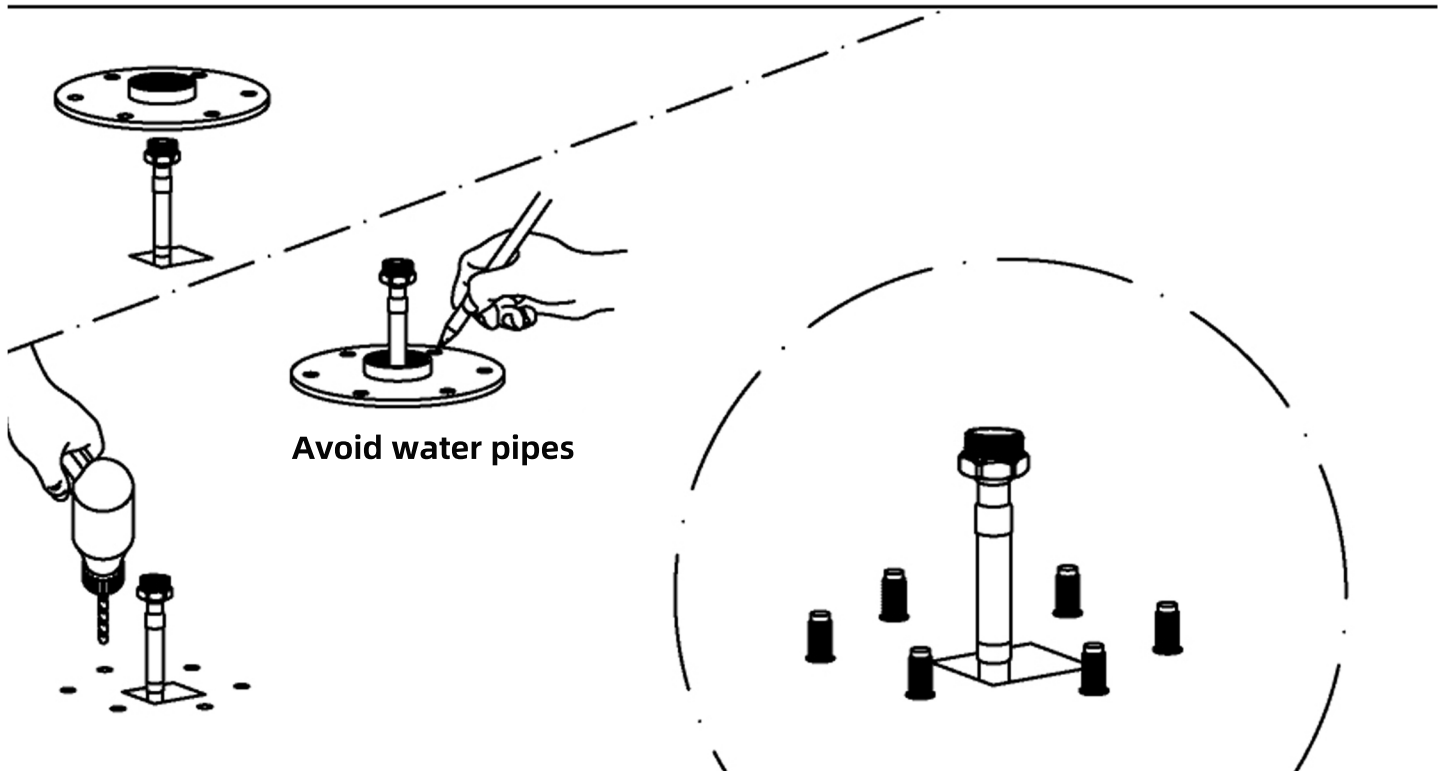
## 1. Determine Installation Location & Prepare Plumbing

- For cold-water models, run a cold supply line to the location.
- For hot & cold models, run separate "H" and "C" supply lines.
- If necessary, cut or trench a channel to route the pipes and align them with the inlets.
- Turn off the main water before connecting and follow local plumbing codes.

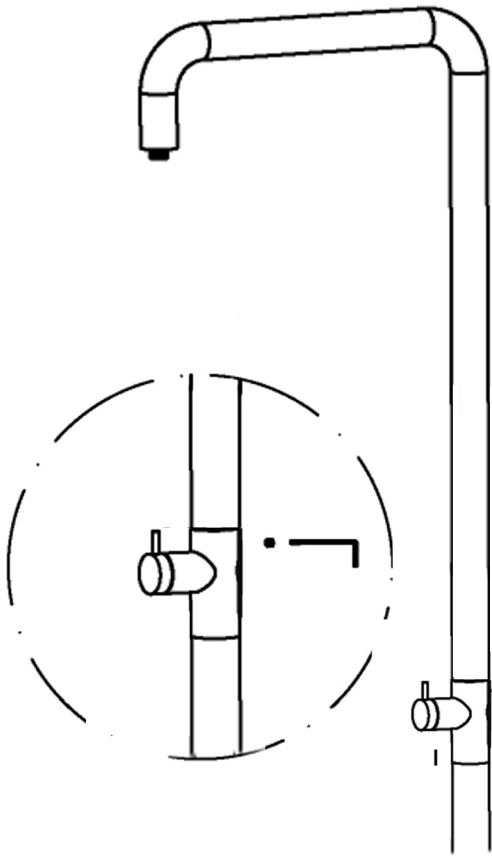
## 2. Follow the diagram to mark the location.



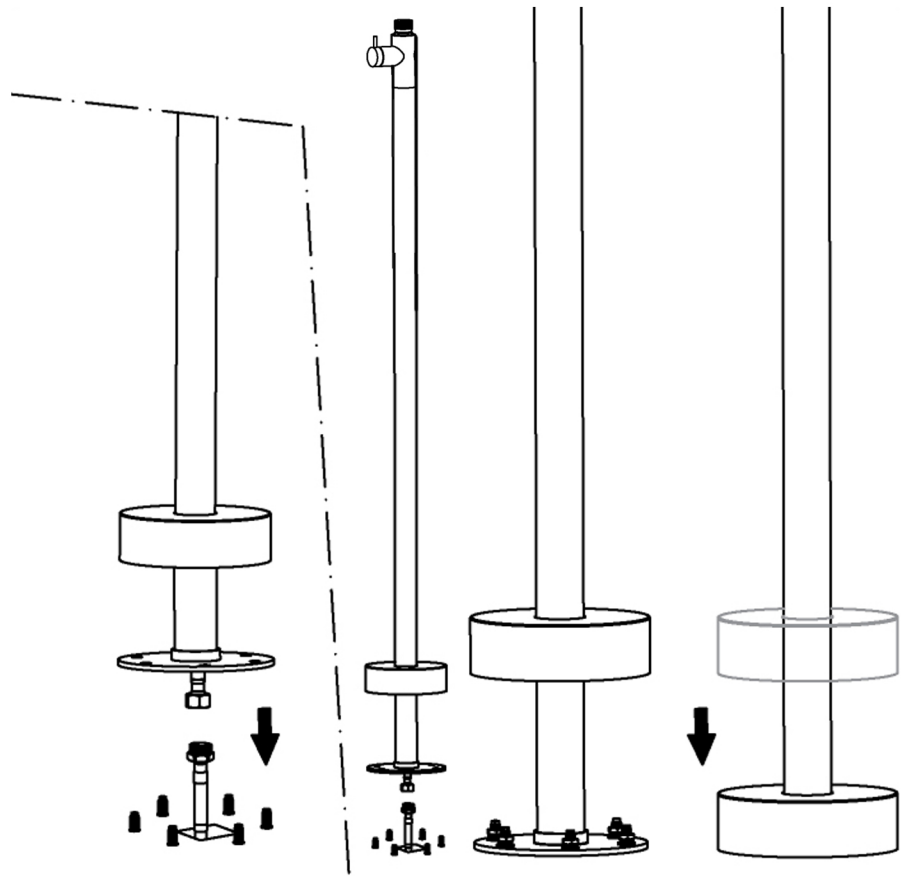
## 3. Install the expansion screws.



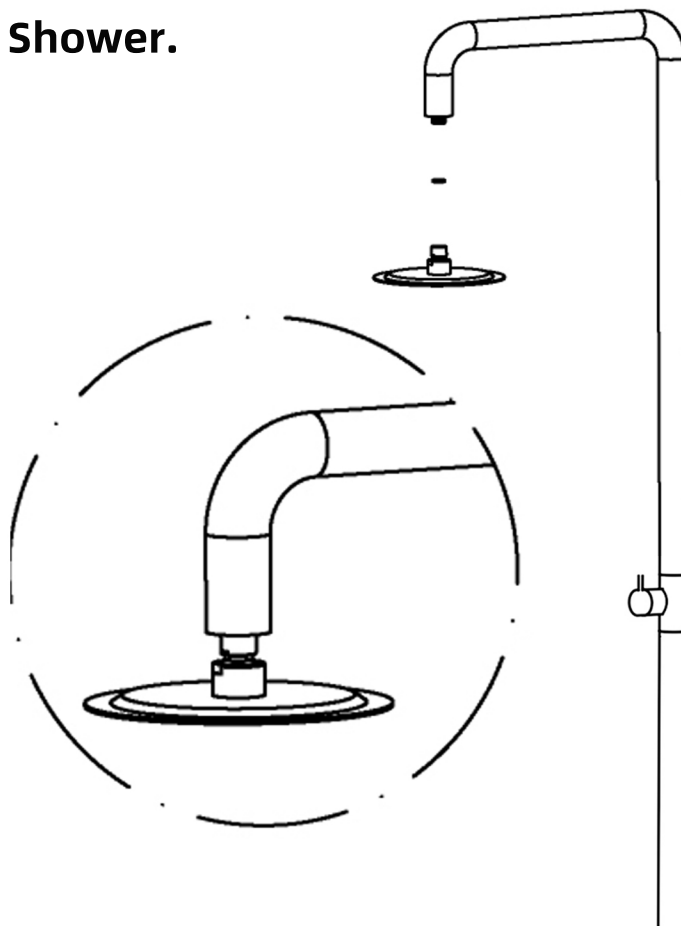
#### 4. Install the Outlet Pipe.



#### 5. Install the Shower Head Body.



#### 6. Install the Overhead Shower.



# Cleaning & Care

To keep your outdoor shower looking its best and functioning properly, follow these maintenance tips:

## 1. Rinse after use:

After each use, rinse the shower with clean water to remove salt, sand, or pool chemicals. Wipe dry with a soft cloth to prevent water spots and mineral buildup.

## 2. Use mild cleaners:

For deeper cleaning, use a mild, non-abrasive liquid cleaner or a non-colored glass cleaner. Avoid acidic, bleach-based, or granular products that could damage the finish.

## 3. Avoid abrasives:

Do not use abrasive cleaners, polishing compounds, sandpaper, steel wool, or sharp tools.

## 4. Check for buildup:

Over time, mineral deposits or debris may accumulate in the showerhead or aerator, reducing water flow.

Unscrew the showerhead/aerator, rinse it thoroughly with clean water, and reinstall it.

## 5. Winter care:

In colder climates, disconnect the water supply and drain the shower before freezing temperatures to prevent damage.

**Please Do Not Return the Product to the Store.  
Contact us with any questions.**