



20-year warranty

Great news! Your warranty is already activated, no need to send anything in. Located on the bottom of each item is a sticker with a serial number. Please keep this number for your records.



Having trouble?

If you have questions or concerns regarding assembly instructions or missing parts, please contact us



Cleaning tips

For a Quick Clean:

Simply wipe down with soap and water.

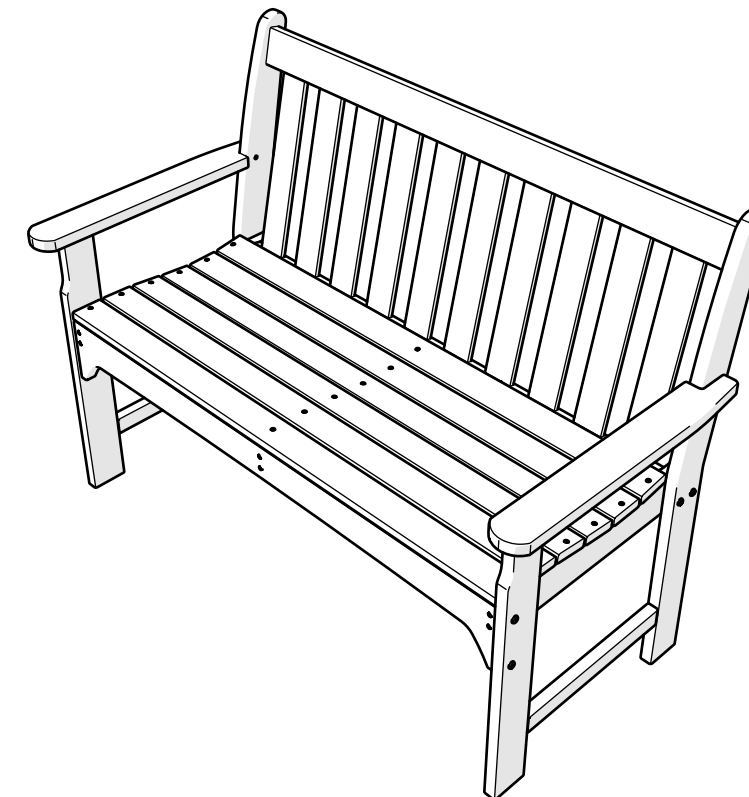
For a Deep Clean:

Wipe on $\frac{1}{3}$ bleach and $\frac{2}{3}$ water solution with a clean cloth and let it sit on the lumber for a few minutes (this will not affect the color). Then, loosen any dirt and debris that may catch in surface grooves with a soft bristle brush; hose down to rinse.

For a High-Power Clean:

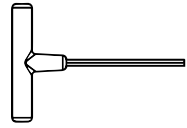
Use a pressure power washer (not exceeding 1,500 psi) to spray off dirt and debris. Apply a $\frac{1}{3}$ bleach and $\frac{2}{3}$ water solution and scrub with a soft bristle brush. Hose down to rinse.

Assembly Instructions



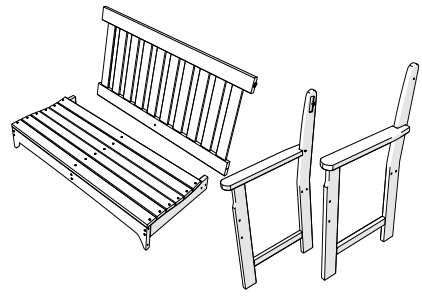
48"
Garden Bench

TOOLS

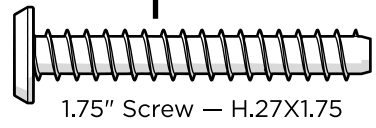


4mm T-handle
hex key (included)

PARTS

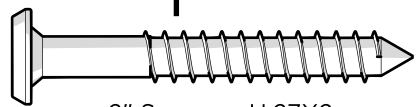


A x 6



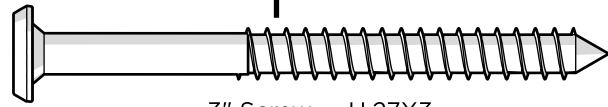
1.75" Screw — H.27X1.75

B x 1



2" Screw — H.27X2

C x 2



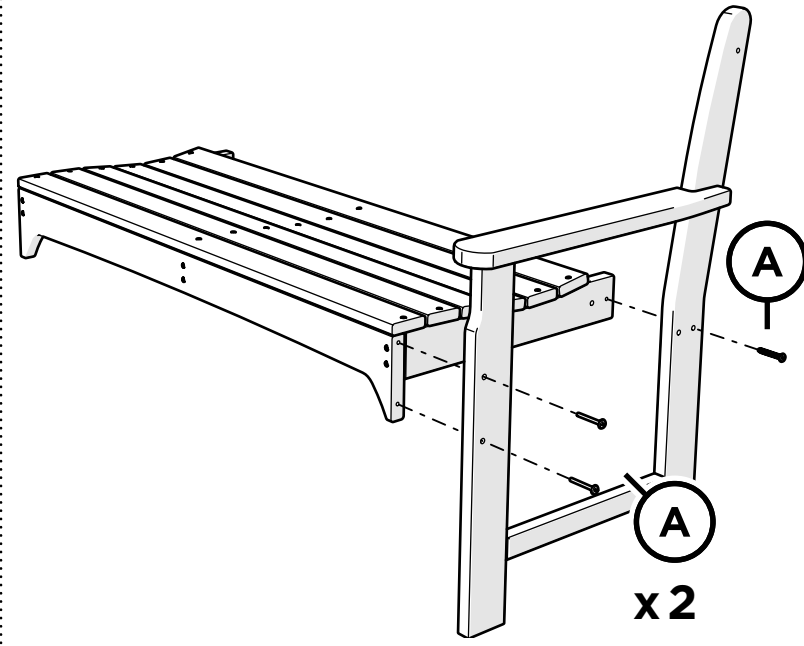
3" Screw — H.27X3

D x 2

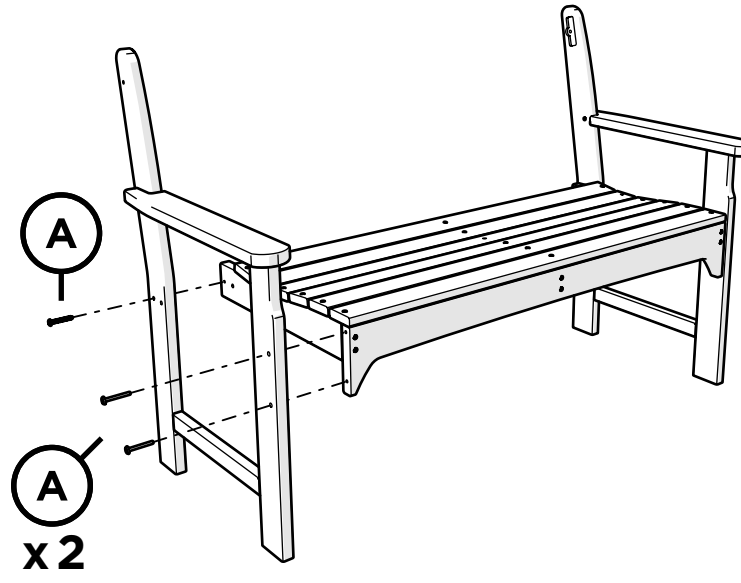


1.75" Bolt — H.25-20X1.75

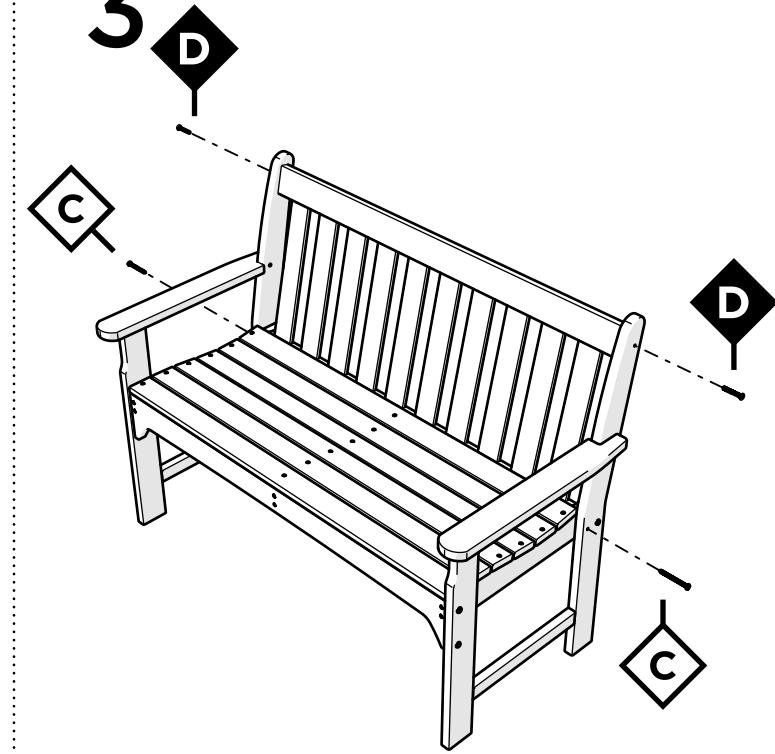
1



2



3



4

