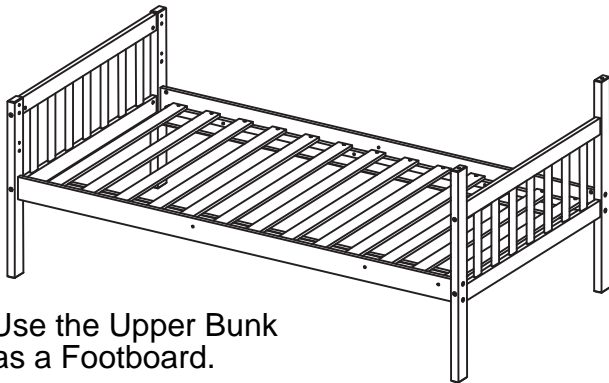


ASSEMBLY INSTRUCTIONS

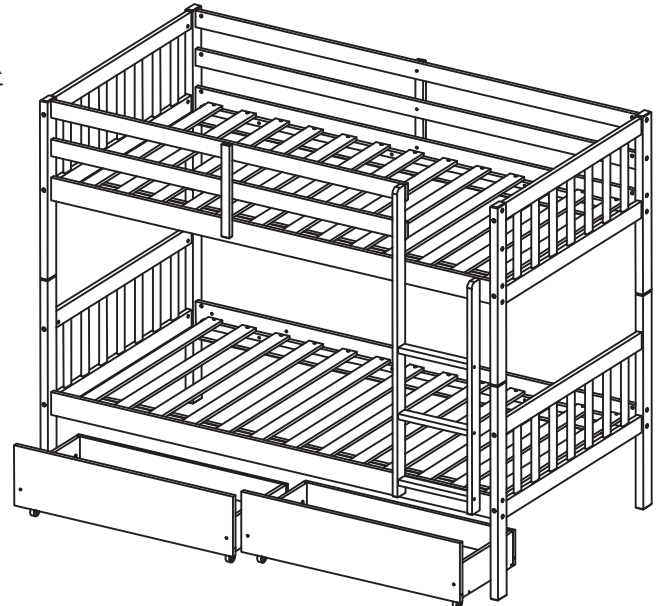
TWIN/TWIN BUNK BED WITH 2 DRAWERS



Use the Upper Bunk
as a Footboard.

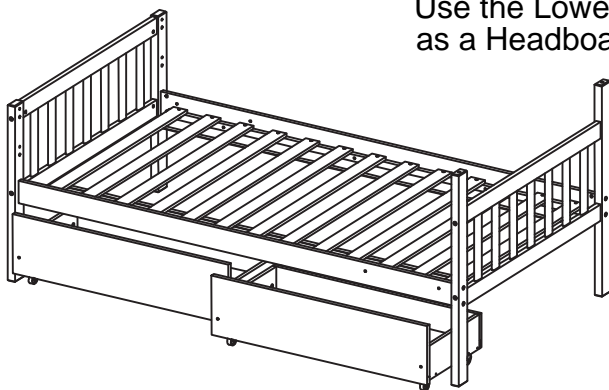
Use the Lower Bunk
as a Headboard.

OR



Use the Upper Bunk
as a Footboard.

Use the Lower Bunk
as a Headboard.





SAFETY WARNING



1. This bed is designed for use only mattress (es) meeting the following specifications on the upper bunk, and lower bunk:

Down bed

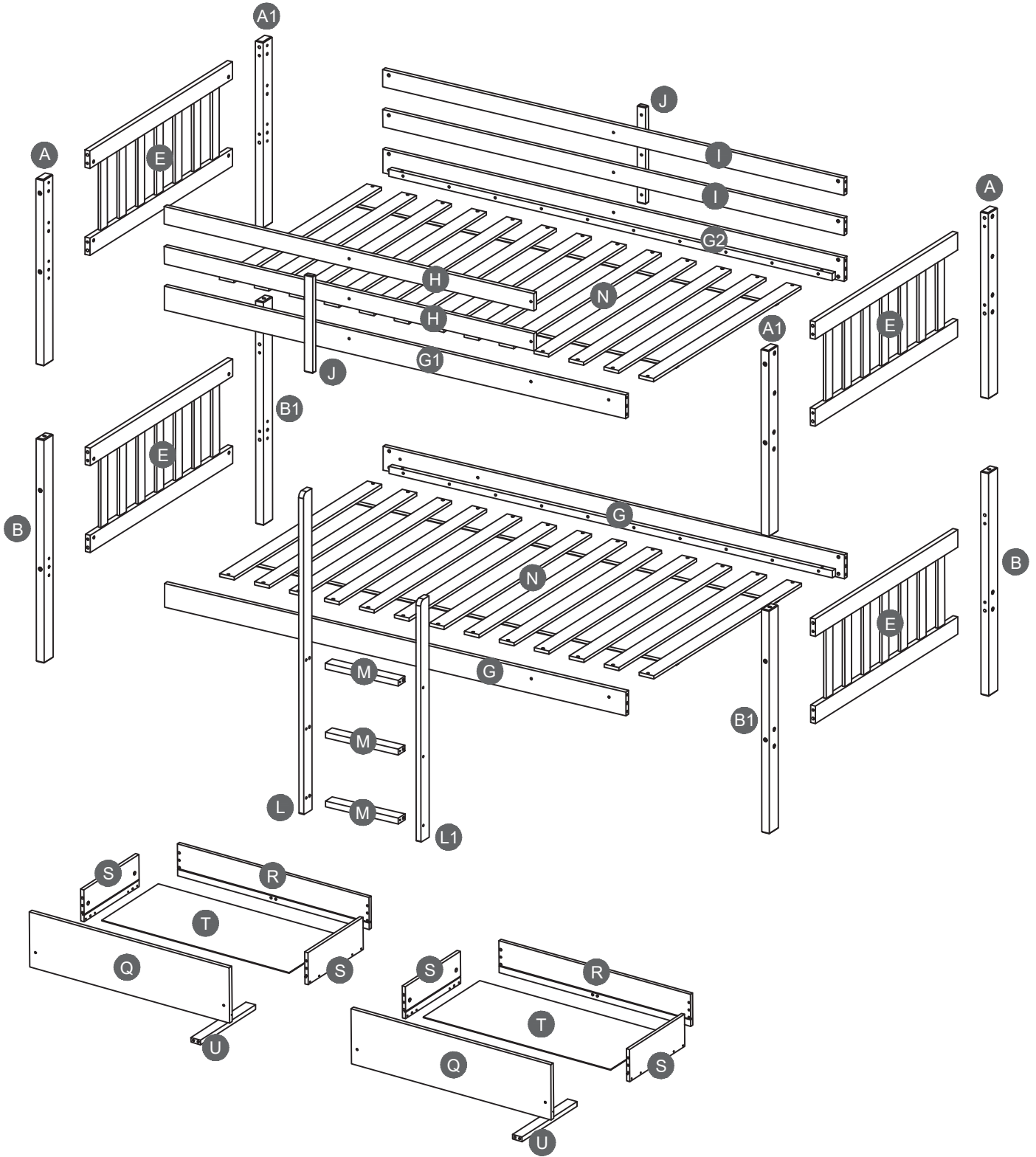
Bed type	Length	With	Thickness
Twin Standard	74"-75"	38 1/2"	6" max

Up bed (Bunk bed and tribed included)


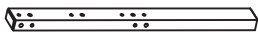
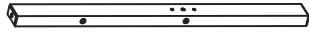

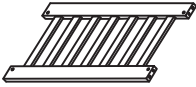










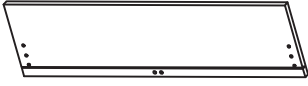


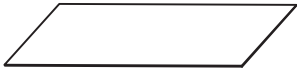
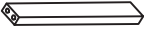
Bed type	Length	With	Thickness
Twin Standard	74"-75"	38 1/2"	6" max

2. Replacement parts, including additional guardrails, maybe obtained from any of our dealer
3. Follow the information on the warnings appearing on the upper bunk bed end structure and on the carton. Do not remove warning label from bed.
4. Always use the recommended size mattresses or mattress supports, or both, to help prevent the likelihood of entrapment or falls.
5. Surface of mattress must be at least 5" (127mm) below the upper edge of guardrails.
6. Do not allow children under 6 years of age to use the upper bunk.
7. Periodically check and ensure that the guardrail, ladder, and other components are in their proper position, free from damage, and that all connectors are tight.
8. Do not allow horseplay on or under the bed and prohibit jumping on the bed.
9. Always use the ladder for entering and leaving the upper bunk.
10. Do not use substitute part. Contact the manufacture or dealer for replacement part.
11. Use of a night light may provide added safety precaution for a child using the upper bunk.
12. Always use guardrails on both long sides of the upper bunk. If the bunk bed will be placed next to the wall, the guardrail that runs the full length of the bed should be placed against the wall to prevent entrapment between the bed and wall.
13. The use of water or sleep flotation mattresses is prohibited.
14. **STRANGULATION HAZARD** - Never attach or hang items to any part of the bunk bed that are not designed for use with the bed; for example, but not limited to, hook, belts and jump ropes.
15. Keep these instruction for future reference.

Detail View



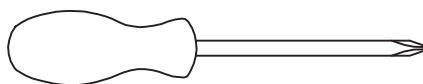
Part List

A  Upper Leg - 2pcs	A1  Upper Leg - 2pcs	B  Lower Leg - 2pcs
B1  Lower Leg - 2pcs	E  Hb. Fb. Panel - 4pcs	G  Side Rail Lower (Front & Back) - 2pcs
G1  Side Rail Upper (Front) - 1pc	G2  Side Rail Upper (Back) - 1pc	H  Guardrail Upper (Front) - 2pcs
I  Guardrail Upper (Back) - 2pcs	J  Guardrail Spindle - 2pcs	L  Ladder Rail Left (Long) - 1pc
L1  Ladder Rail Right (Short) - 1pc	M  Ladder Step - 3pcs	N  Bed Slats (Bed) - 2Sets
Q  Front Panel (Storage) - 2pcs	R  Back Panel (Storage) - 2pcs	S  Side Panel (Storage) - 4pcs
T  Bottom Panel (Storage) - 2pcs	U  Bottom Panel (Storage) - 2pcs	

Hardware List




1  M6 x 100mm JCBC (16pcs)	2  M6 x 50mm JCBC-W (12pcs)	3  M6 x 15mm Barrel Nut (38pcs)
4  M10 x 30mm Wood Dowel (36pcs)	5  M6 x 70mm JCBC (22pcs)	6  M4 x 25mm CSK Screw (44pcs)
7  M6 x 30mm JCBC (6pcs)	8  M6 x 30mm JCBC-W (8pcs)	9  M10 x 100mm Metal Pin (4pcs)
10  Wooden Button 11.5mm (4pcs)	11  Sticker Cap (6pcs)	12  Caster (8pcs)
13  M8 x 30mm Wood Dowel (32pcs)	14  M4 x 32mm CSK Screw (16pcs)	15  M6 x 60mm JCBC (8pcs)
16  M6 x 13mm Barrel Nut (8pcs)	17  M4 Allen Key (1pc)	

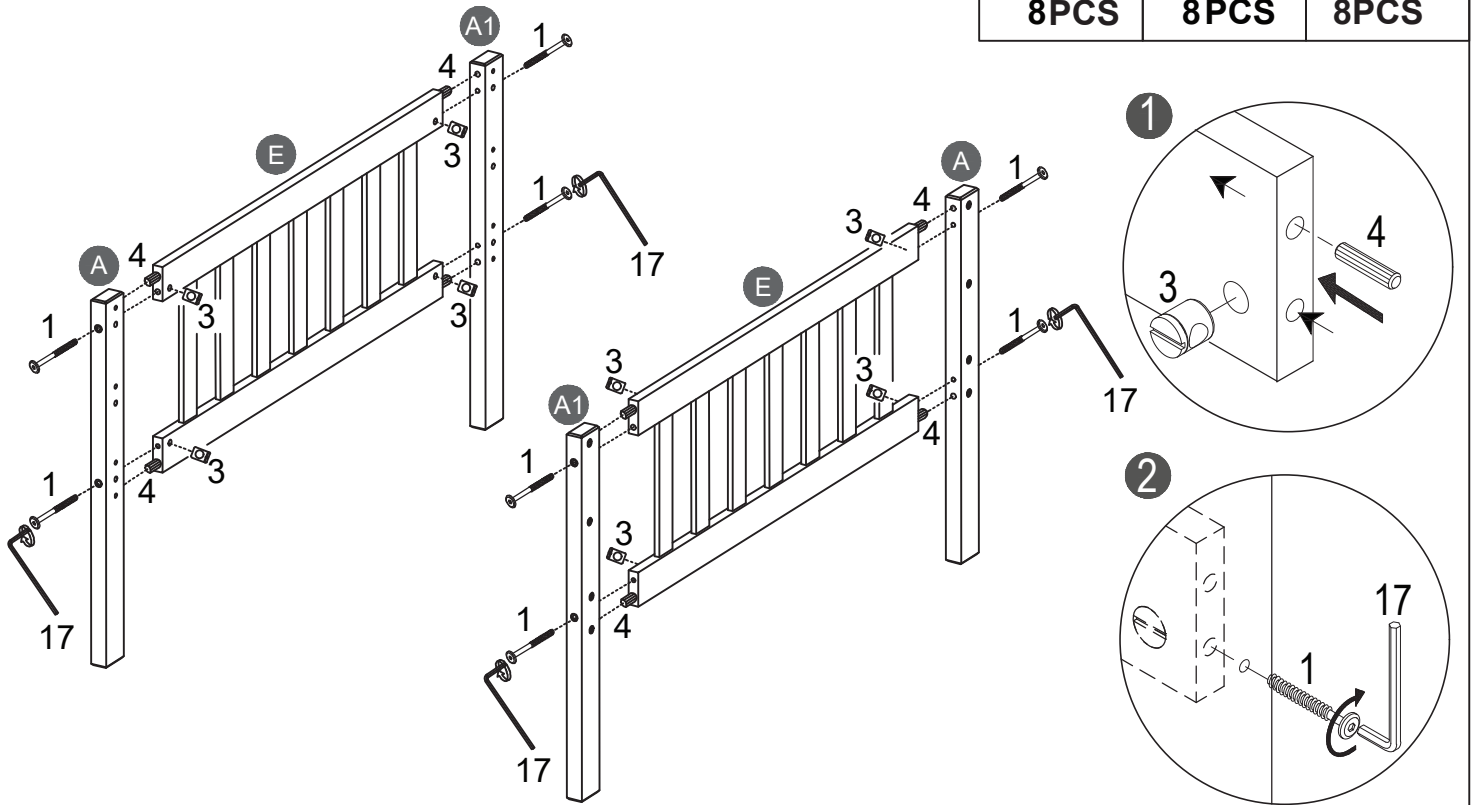
ASSEMBLY TOOLS REQUIRED (NOT INCLUDED)







PLEASE BE CAREFUL DO NOT DAMAGE THE HOLE POSITION WHEN YOU USE POWER TOOLS !

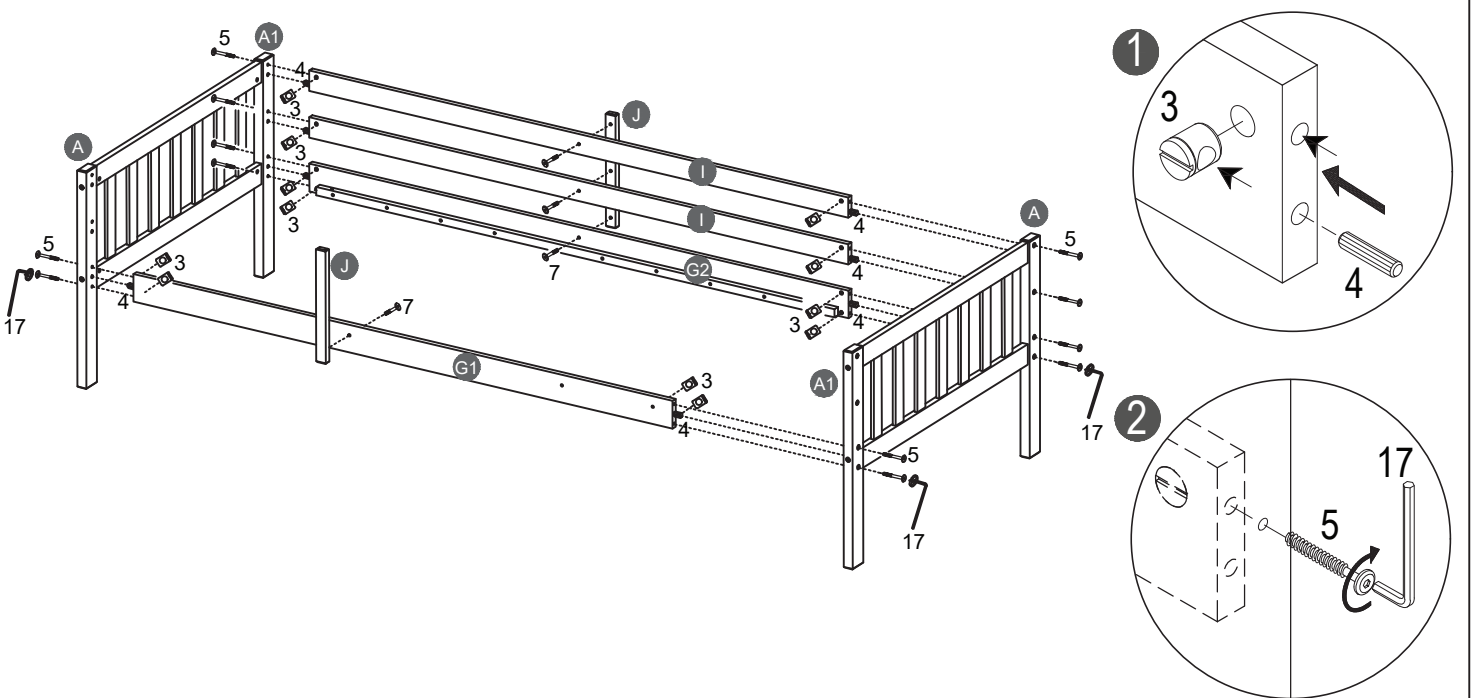
STEP 1:

1		3		4	
8PCS		8PCS		8PCS	







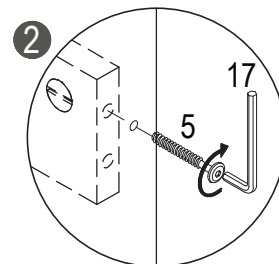
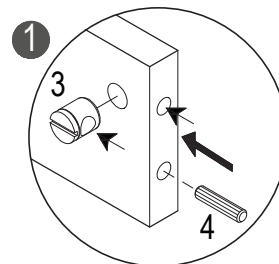
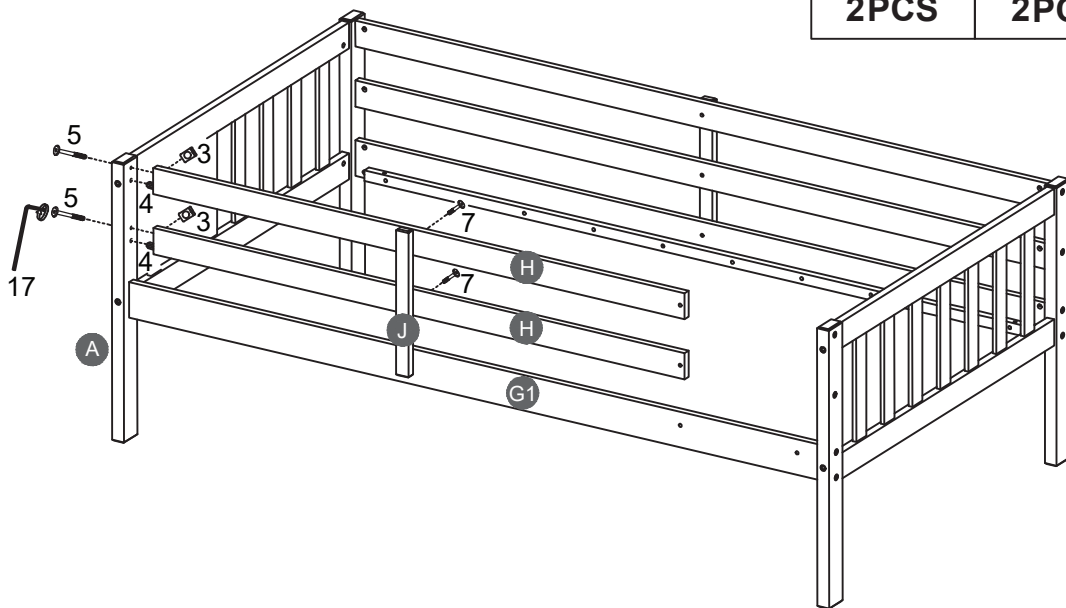
STEP 2:

3		4		5		7	
12PCS		8PCS		12PCS		4PCS	






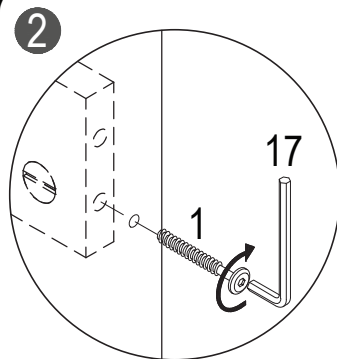
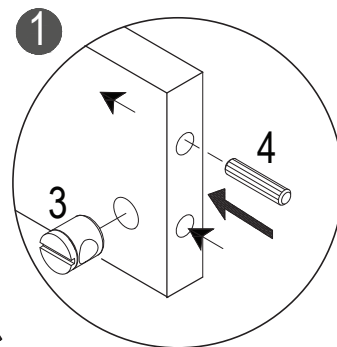
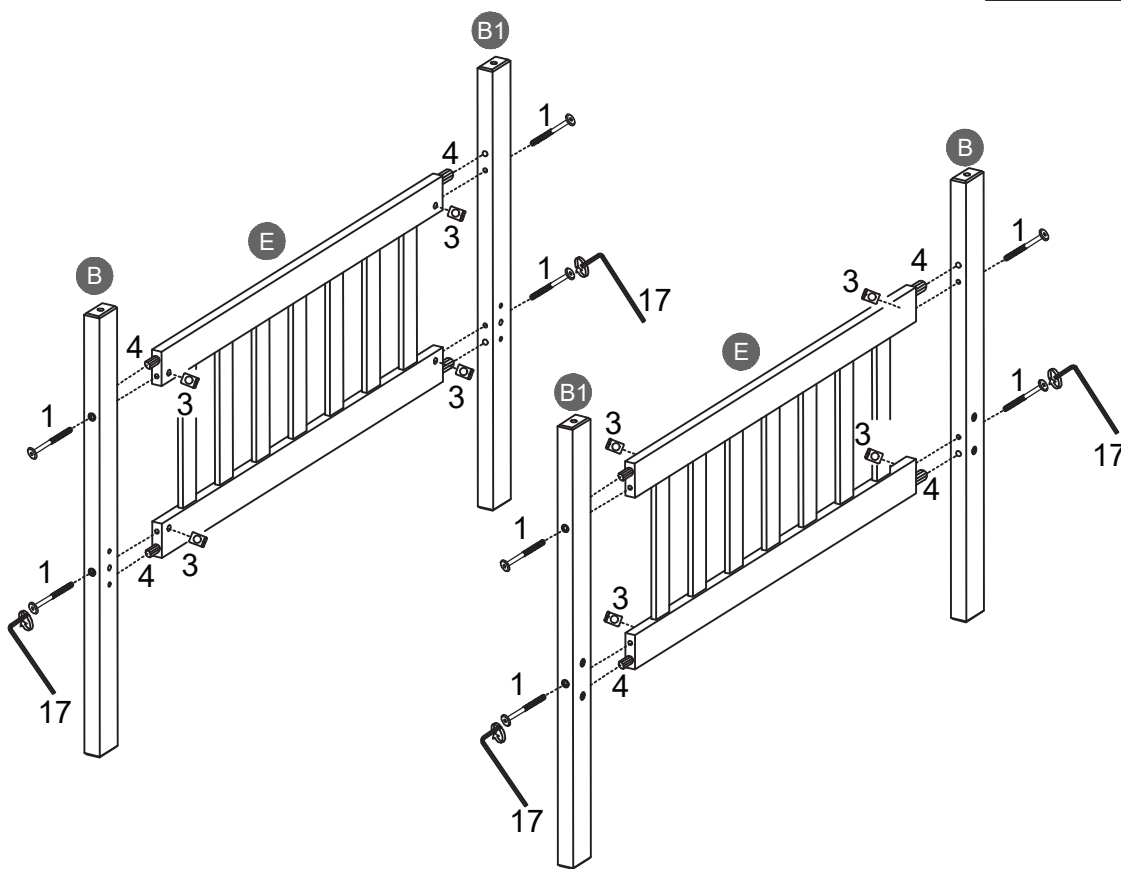
STEP 3:

3		4		5		7	
2PCS		2PCS		2PCS		2PCS	






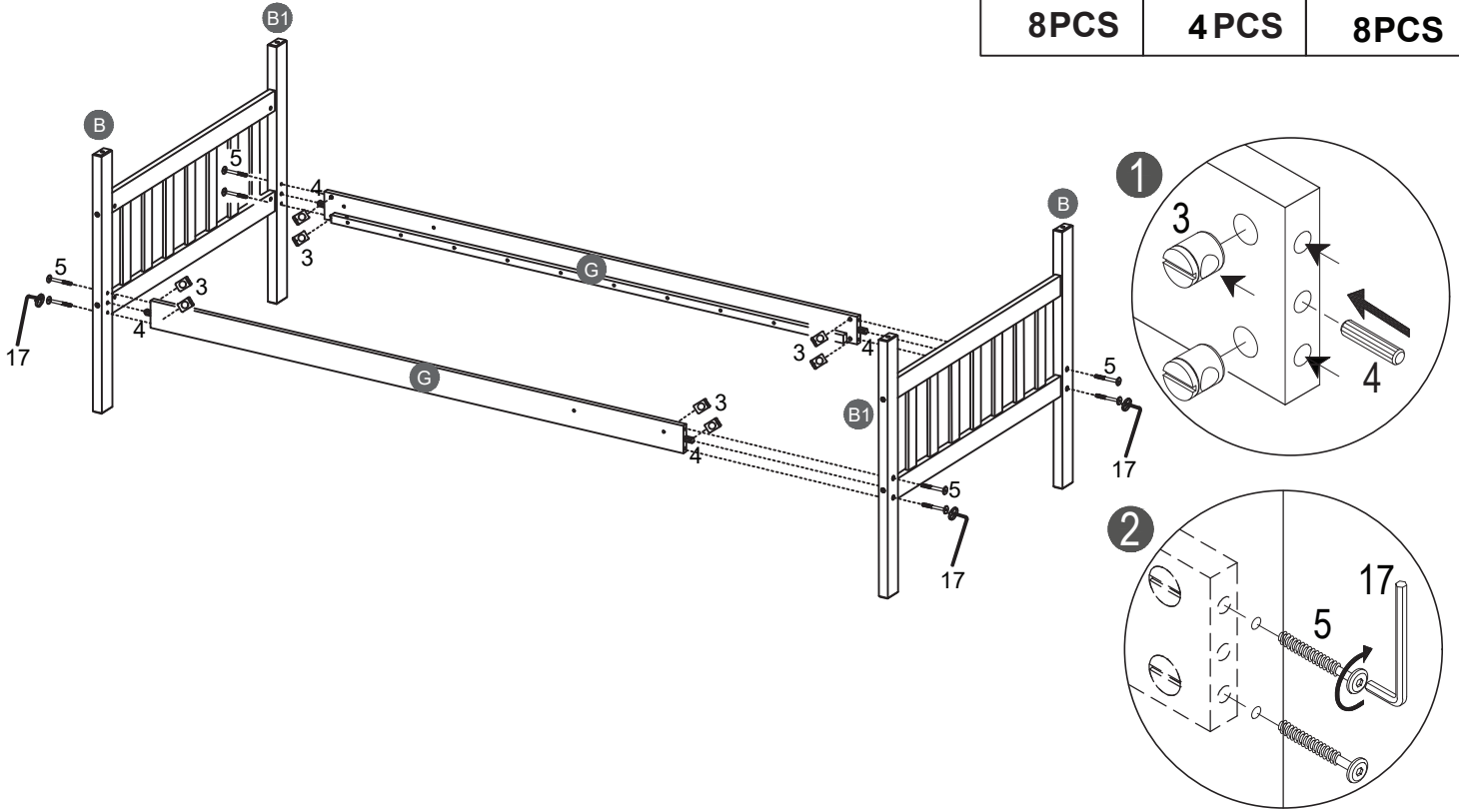
STEP 4:

1		3		4	
8PCS		8PCS		8PCS	




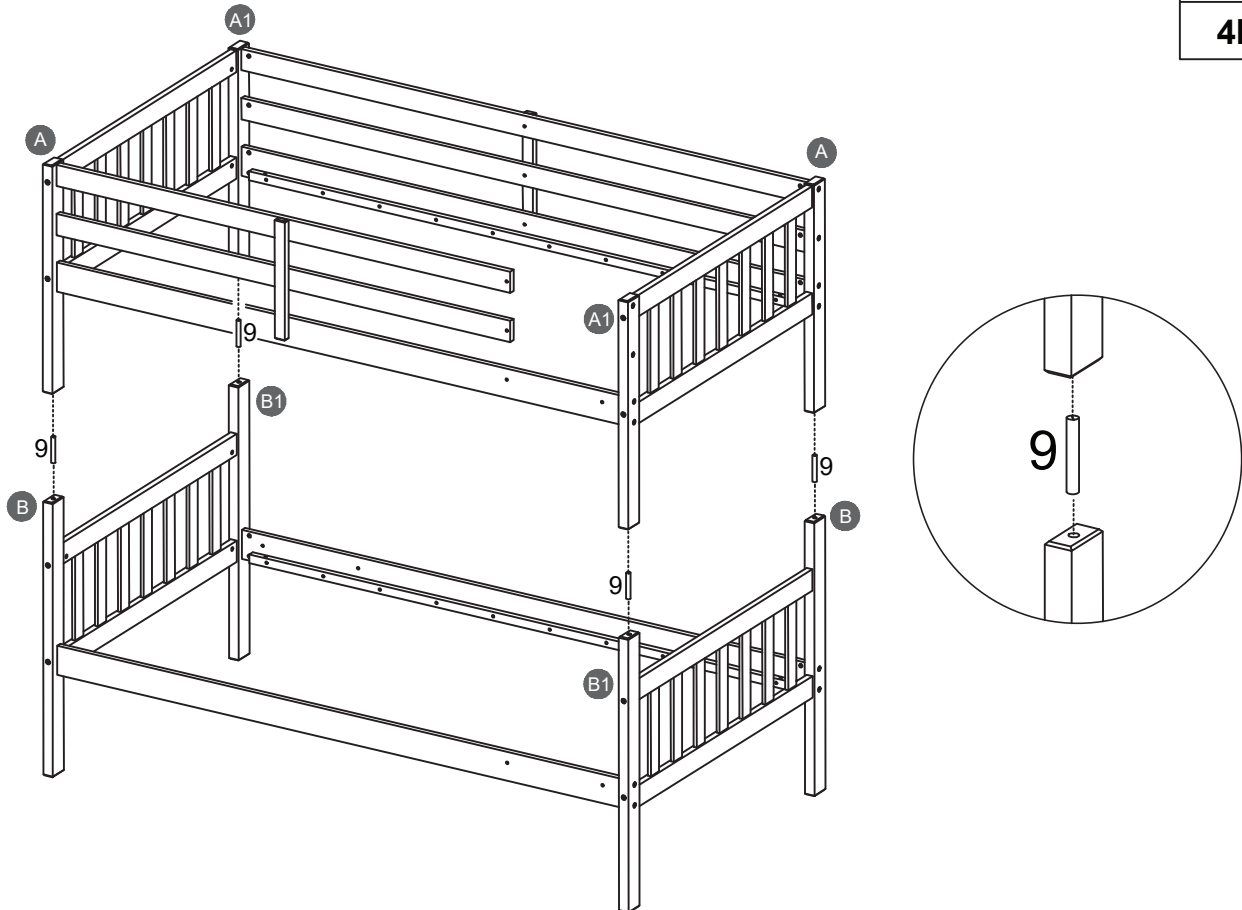
STEP 5:

3		4		5	
8PCS		4PCS		8PCS	

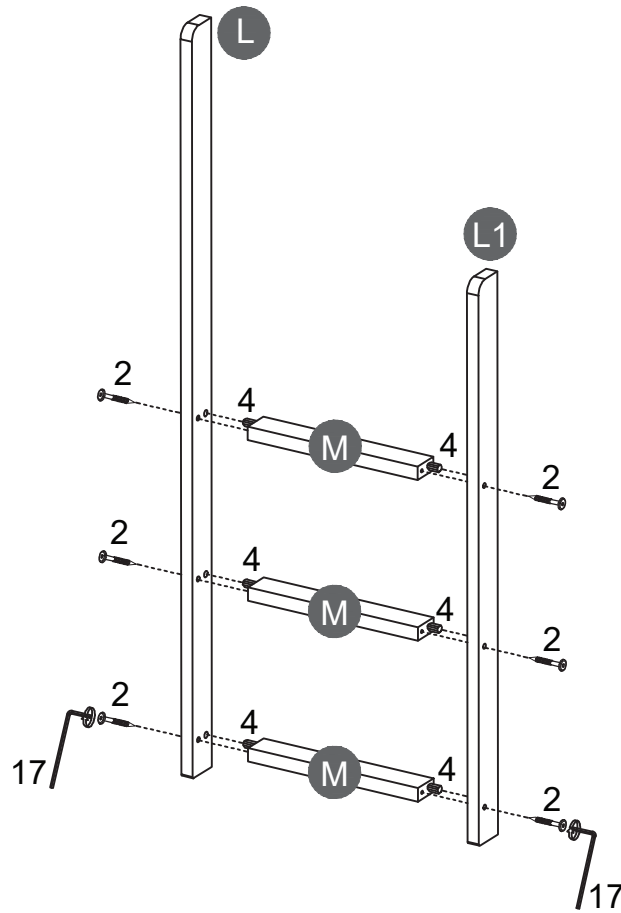


STEP 6:

9	
4PCS	

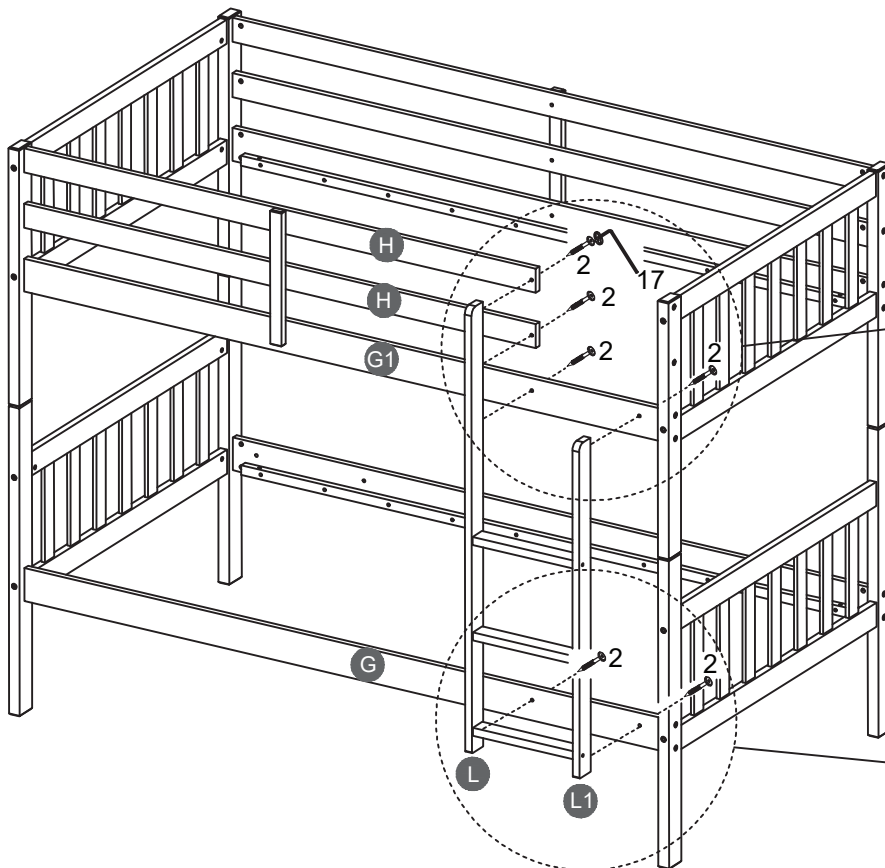


STEP 7:

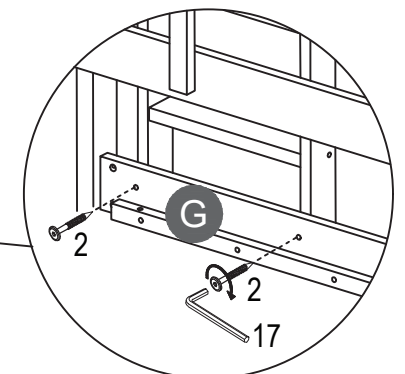
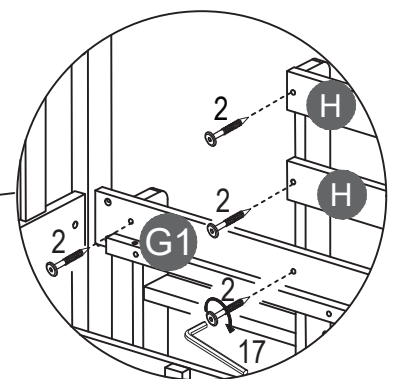


2		4	
6PCS		6PCS	



STEP 8:

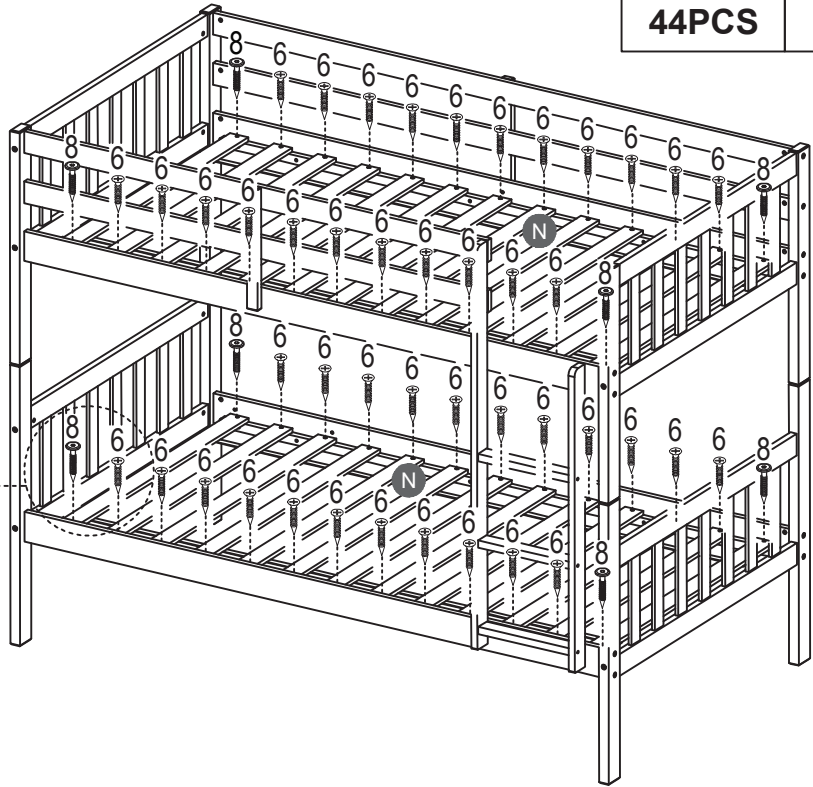
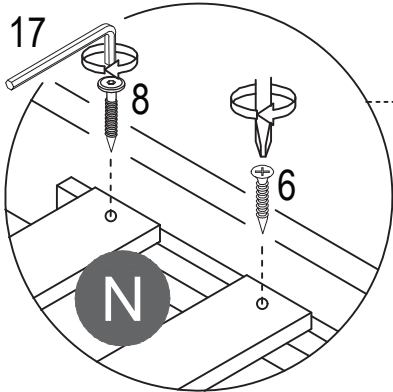


2	
6PCS	




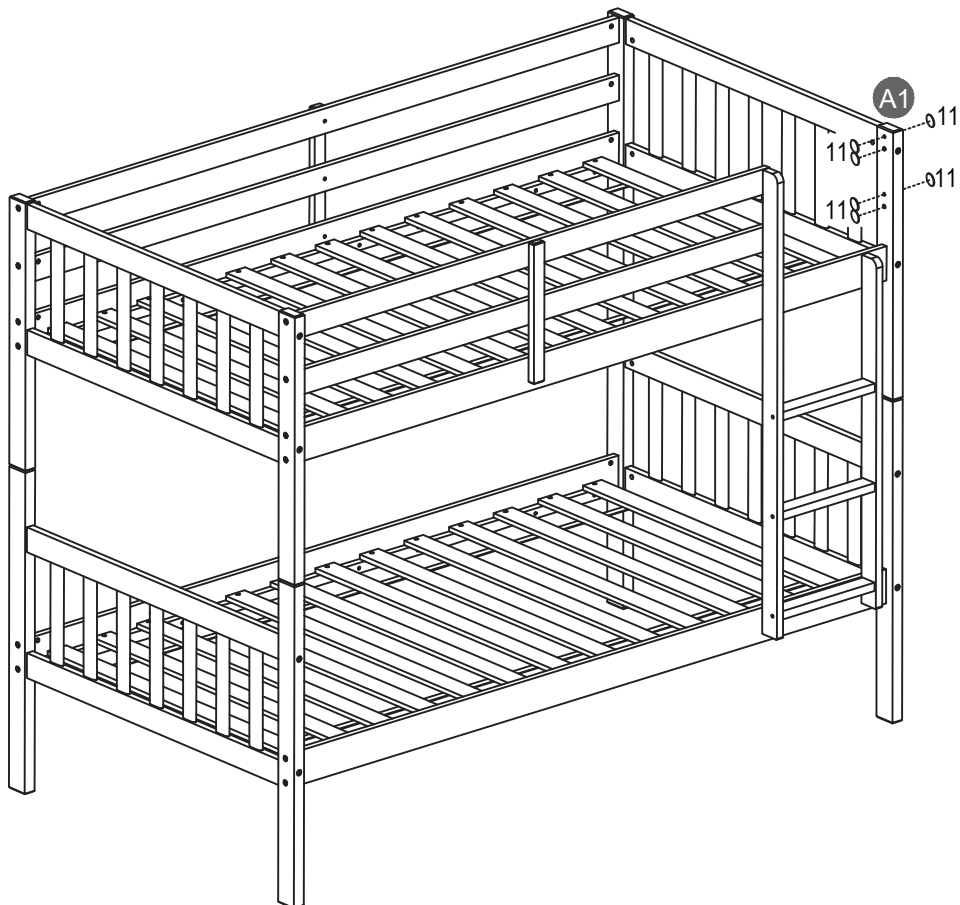
STEP 9:

6		8	
44PCS		8PCS	

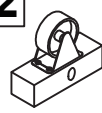




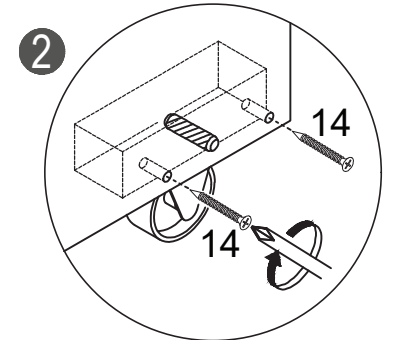
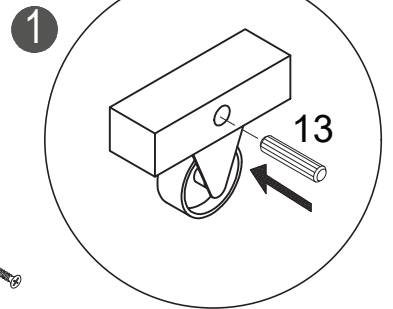
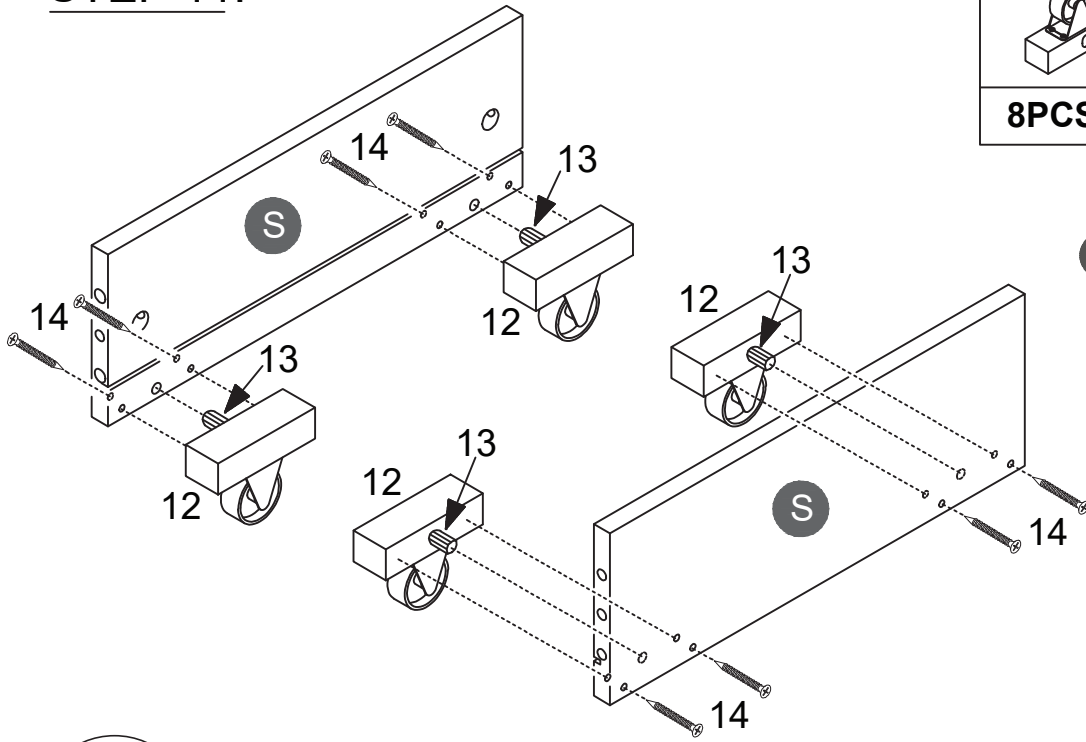
STEP 10:

11	
6PCS	






STEP 11:

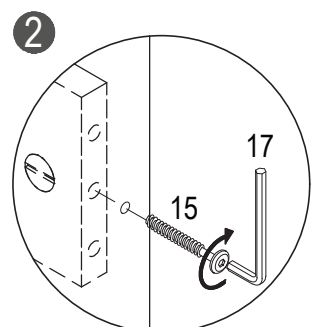
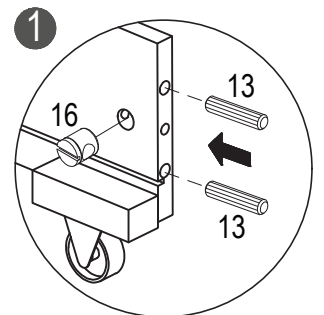
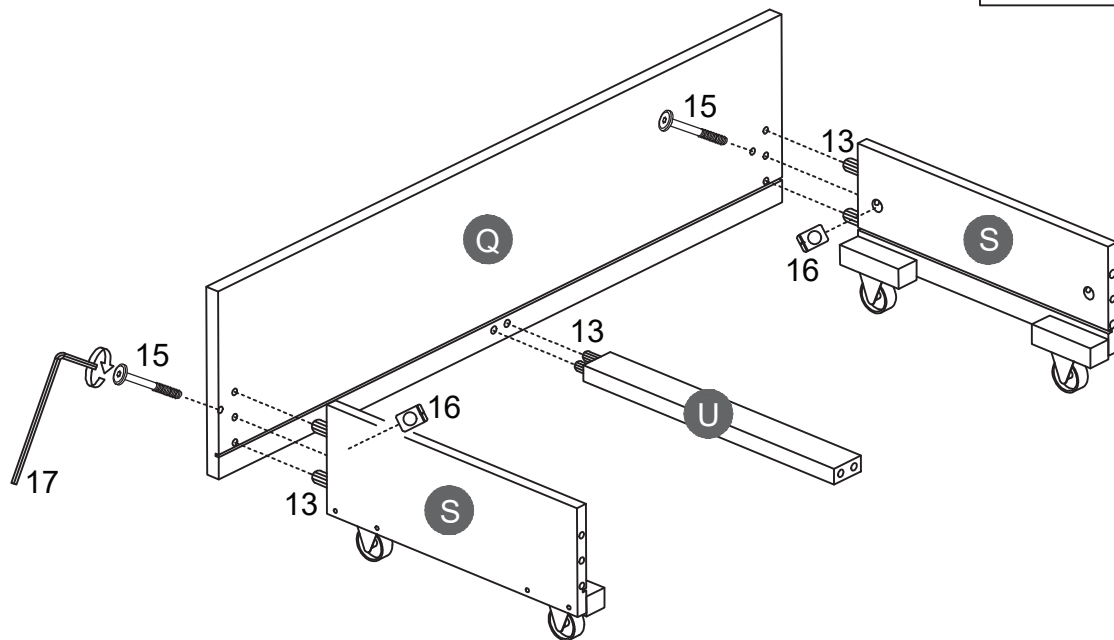
12 	13 	14 
8PCS	8PCS	16PCS



x 2

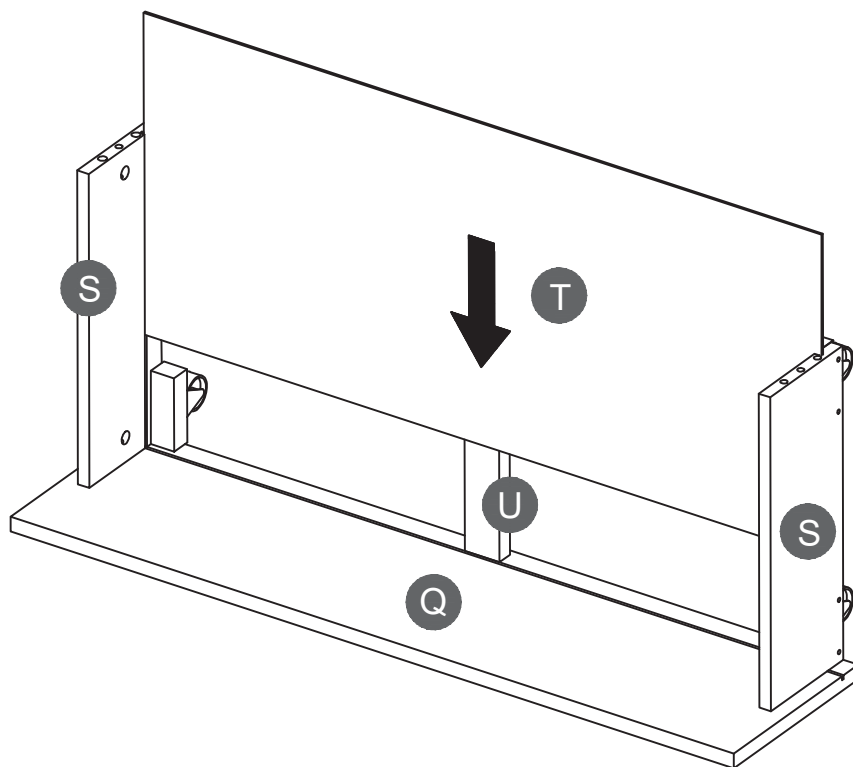
STEP 12:

13 	15 	16 
12PCS	4PCS	4PCS



x 2

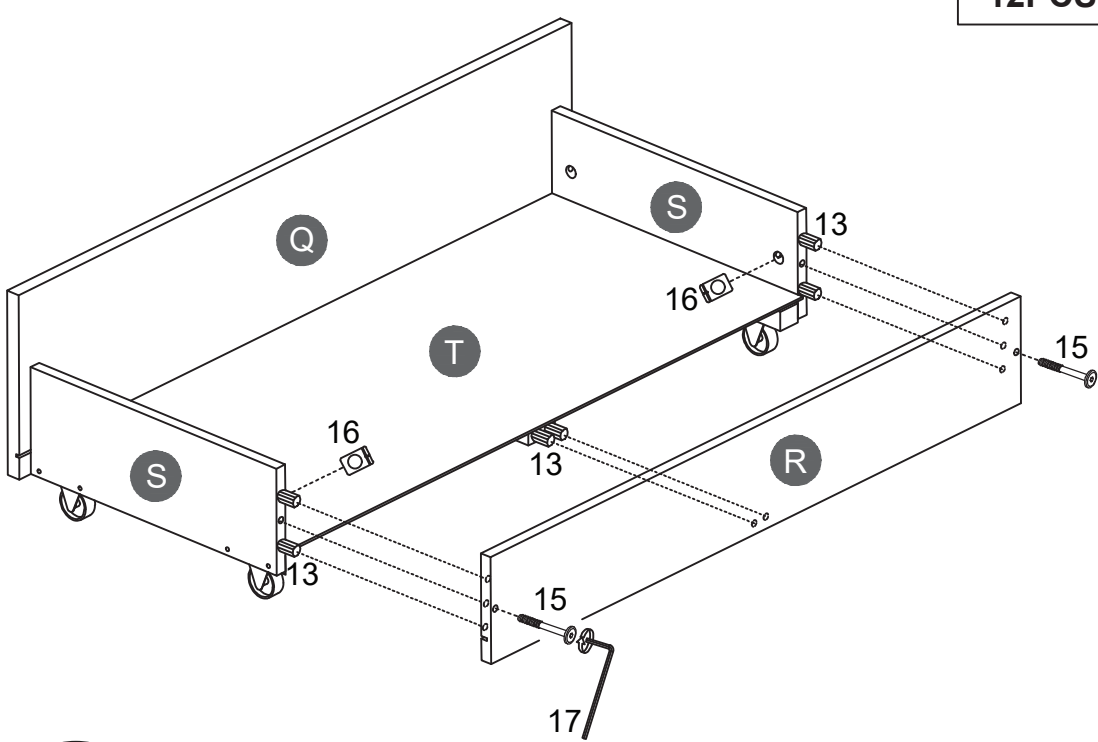
STEP 13:



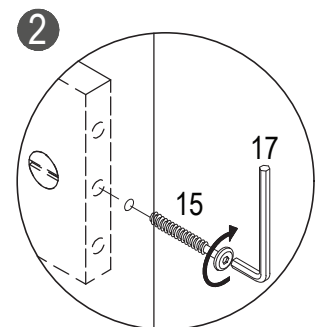
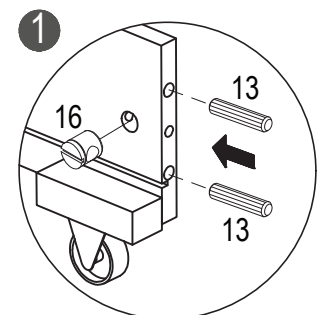
x 2

STEP 14:




13		15		16	
12PCS		4PCS		4PCS	

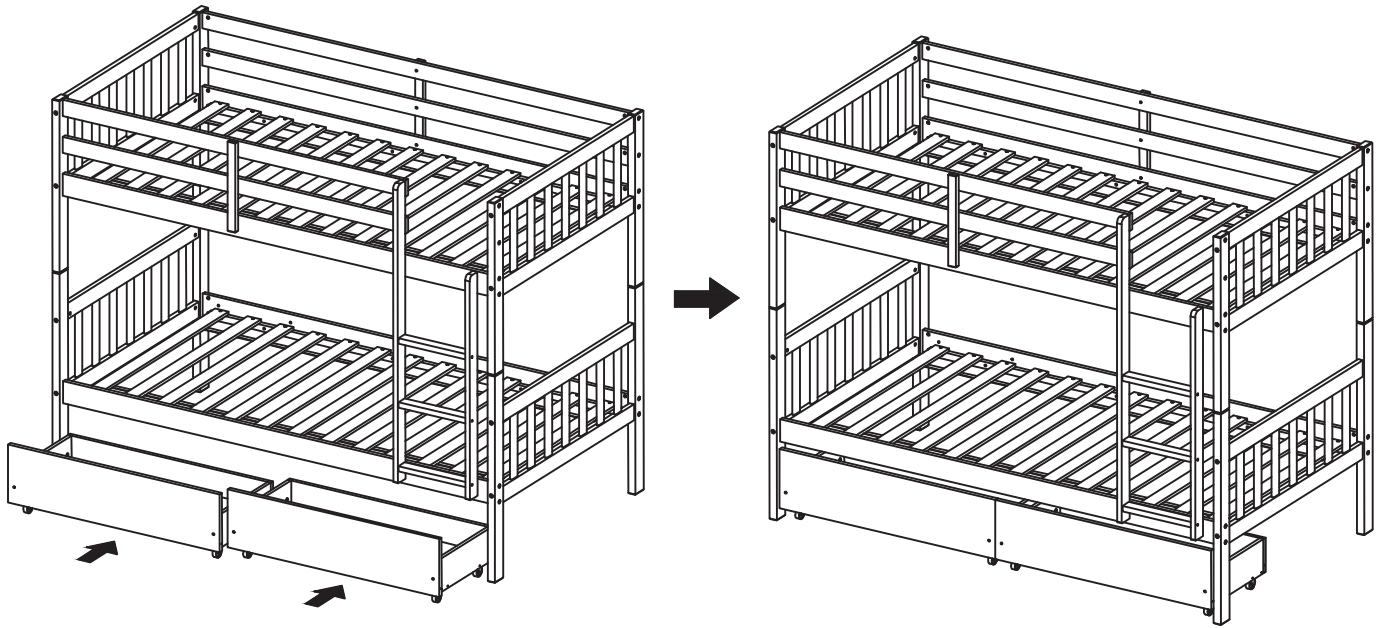


x 2



STEP 15:

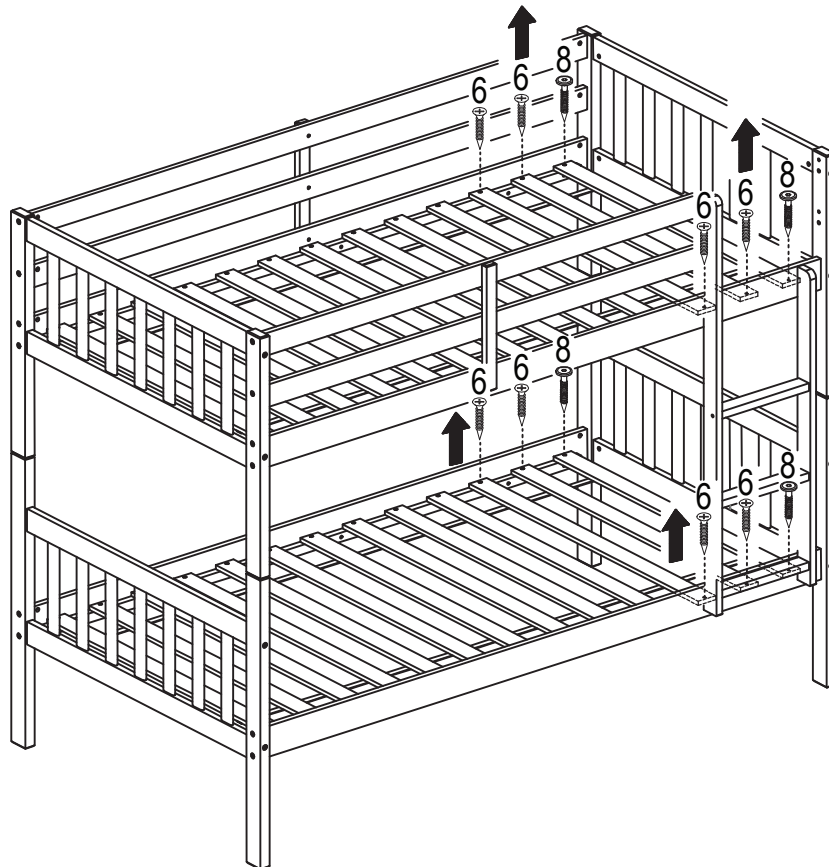
13 	15 	16 
12PCS	4PCS	4PCS



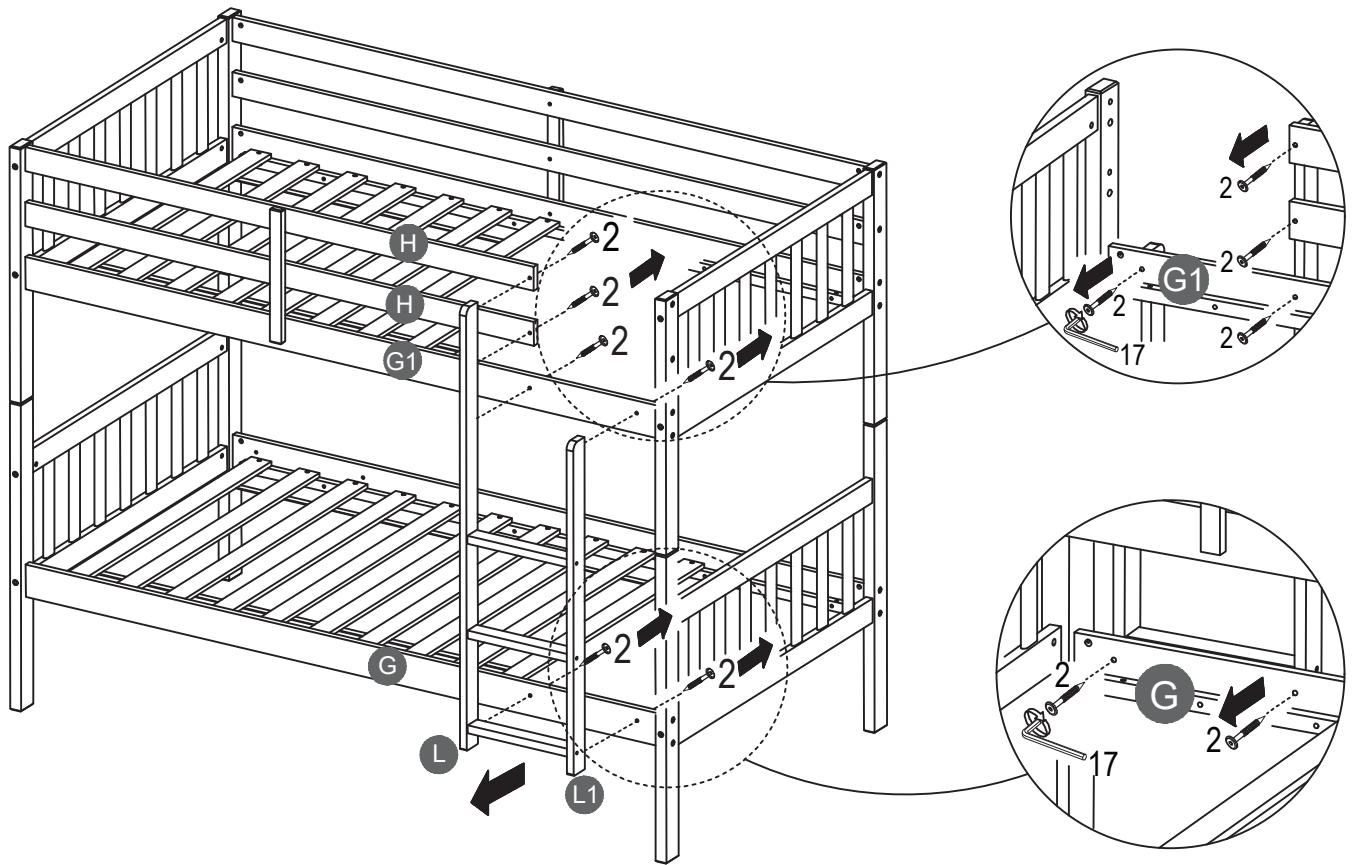
Push Storage under the bottom of Bunkbed.

STEP 1:

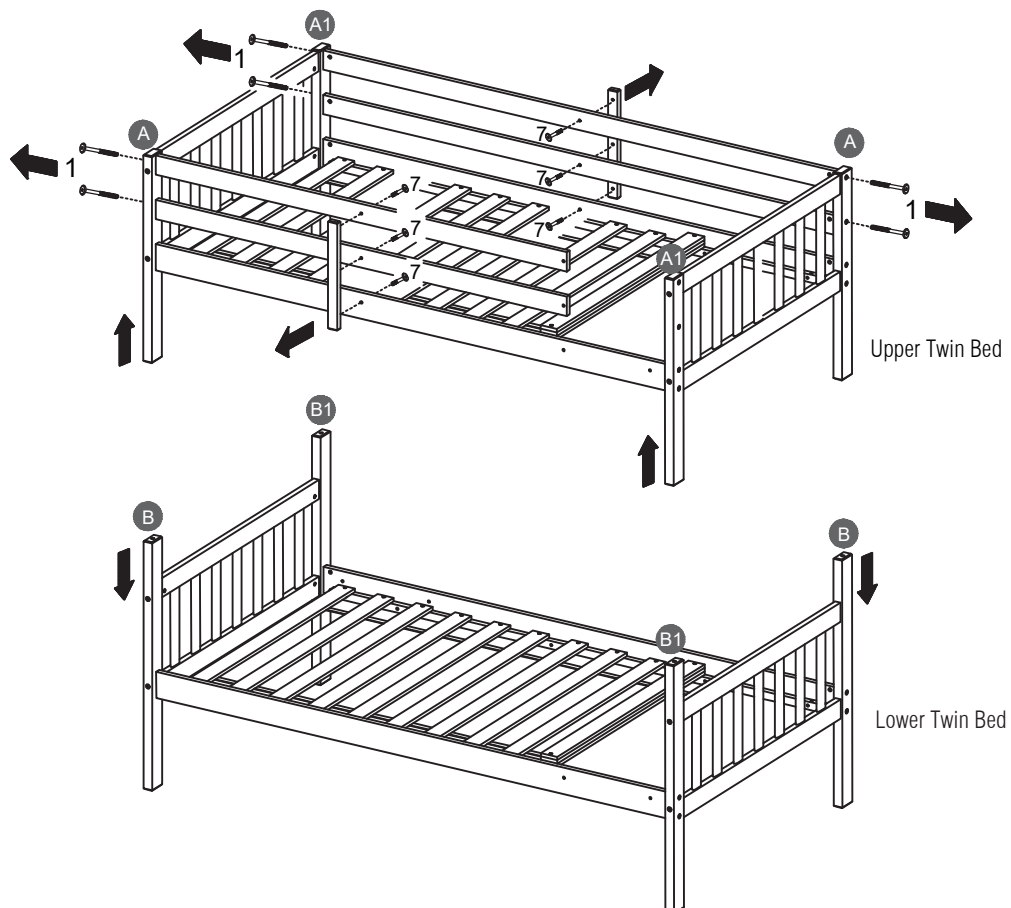
Converting the Bunk Bed into 2 Twin Beds



STEP 2:



STEP 3:

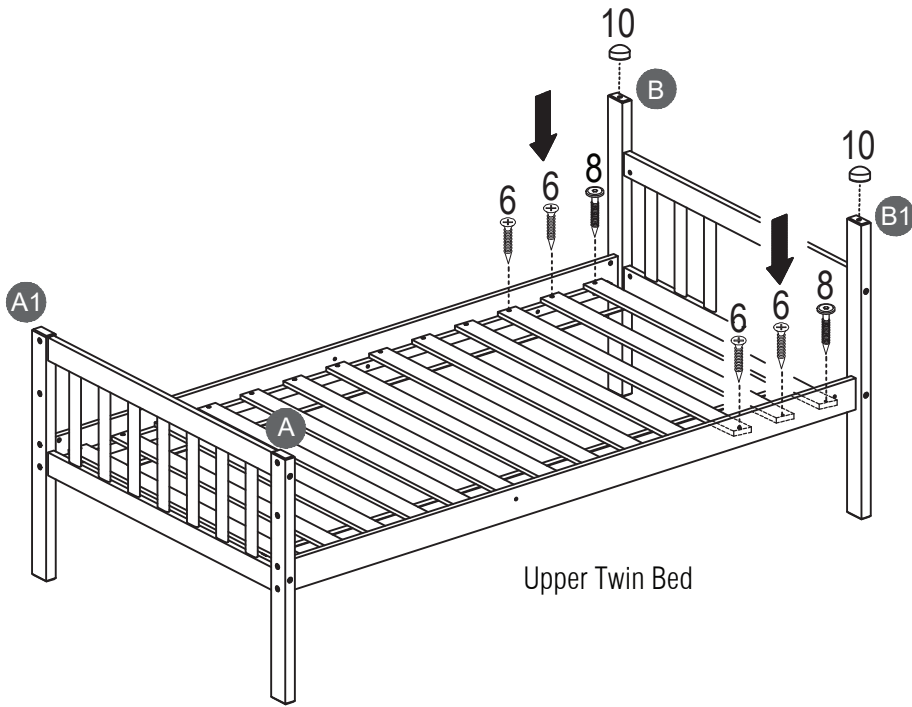


STEP 4:

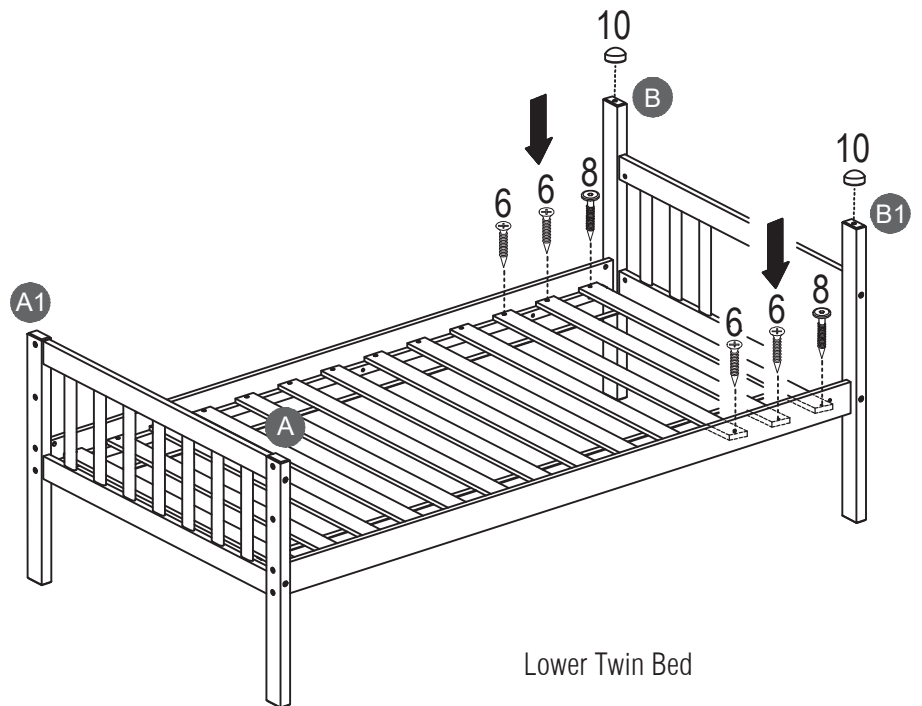
10



4PCS



Upper Twin Bed



Lower Twin Bed