

# Modern 8-Light Sputnik Sphere Glass Globe Semi Flush Mount

**Caution:** Please turn off power before installation and read the manual carefully, we advise you contact professional electricians to install for safety purpose.

## Product Features

Style: Modern/Contemporary

Material: Metal, Glass

Base Type: E26

Light Source Included: No

Voltage: 120VAC

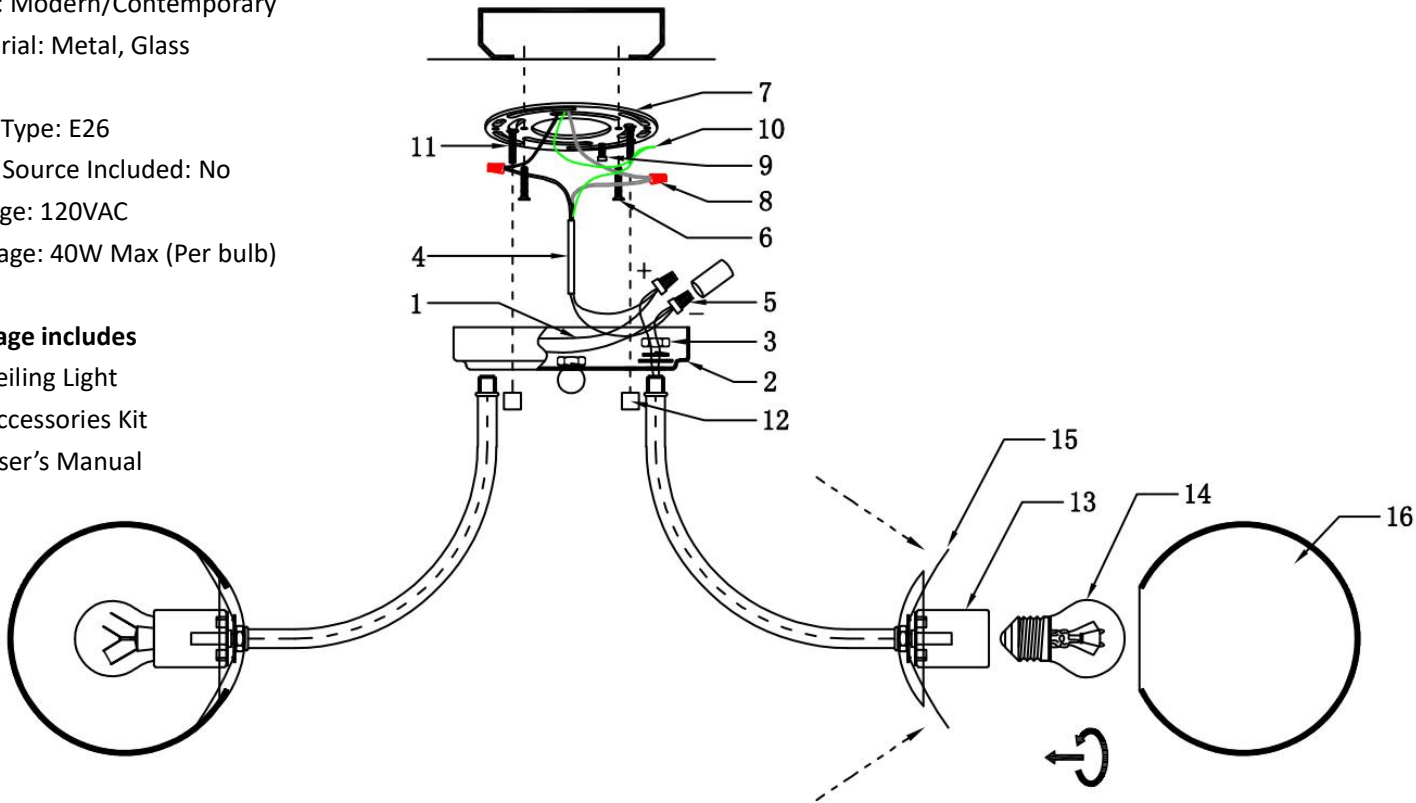
Wattage: 40W Max (Per bulb)

## Package includes

1 x Ceiling Light

1 x Accessories Kit

1 x User's Manual



## Installation Instructions

A: Pass the lamp arm wire (1) through the side hole of the canopy (2), then tighten the nut (3).

B: Connect the live wire of the lamp arm wire to the live wire by using the wiring cap (5), and also connect the neutral wire of the lamp arm wire to the neutral wire by using the wiring cap. Be careful not to expose the wire to prevent leakage.

C: Secure the mounting plate (7) to the junction box using the junction box screw (6).

D: Connect the live wire of the main wire (4) to the live wire by using the wiring cap (8), and also connect the neutral wire of the main wire to the neutral wire by using the wiring cap. Be careful not to expose the wire to prevent leakage. Fixed the ground wire and the ground wire of the fixture (10) on the mounting plate (7) through the green screw (9).

E: Pass the threaded bolts (11) through the two small holes in the canopy (2), then tighten the ball nuts (12) to secure the fixture.

F: Screw the bulbs (14) (not included) into the lamp sockets (13).

G: Press the spring clips (15) and install the glass shades (16) into the spring clip (15).

**Note:** please use this product accordingly to its intended purpose, do not retrofit or remodeling the product. The warranty does not cover if the failure is caused by the third party product, or natural disasters.

Made in China