
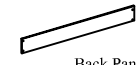
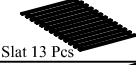


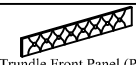



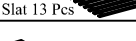
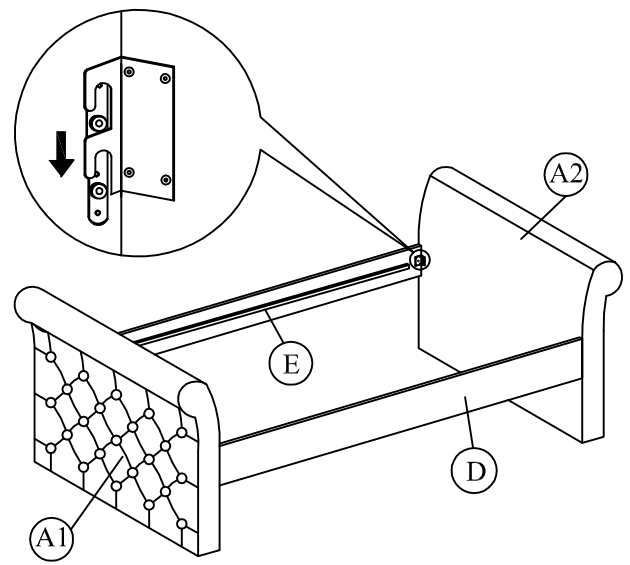


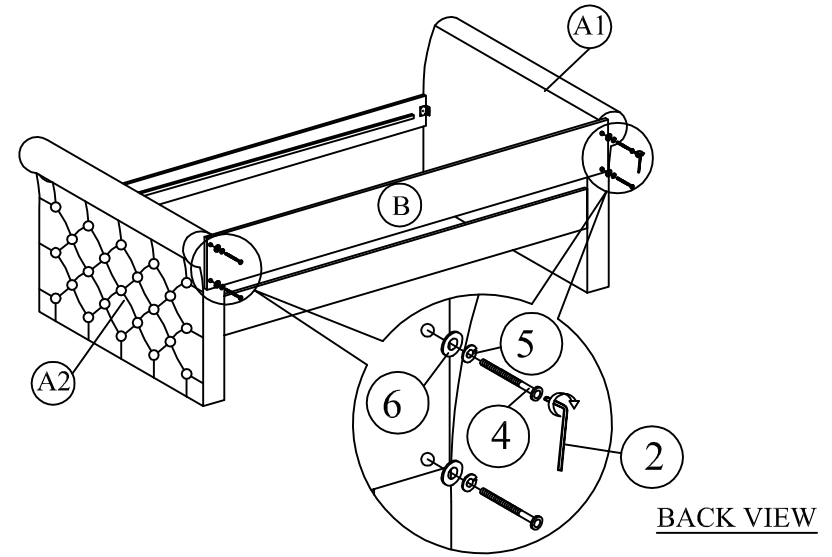
ASSEMBLY INSTRUCTION

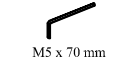
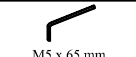
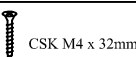



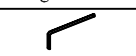
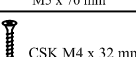
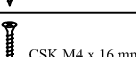

A	 Arm	1 pc
B	 Back Panel	1 pc
C	 Slat 13 Pcs	1 pc
D	 Front Side Rail (PU)	1 pc
E	 Back Side Rail	1 pc
F	 Trundle Front Panel (PU)	1 pc
G	 Trundle Back Panel	1 pc
H	 Trundle Side Panel	2 pcs
I	 Slat 13 Pcs	1 pc
J	 Wooden Block	4 pcs

Step 1: Attach side rail (D) & (E) to arm (A) by pushing the bracket down to fit it.

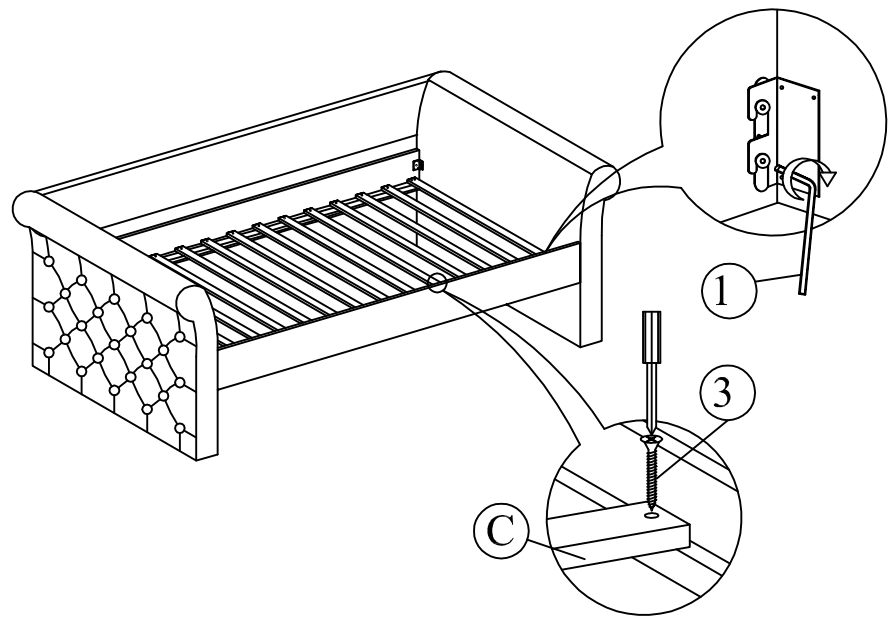


Step 2: Attach the Back Panel (B) to the arm (A) as shown.

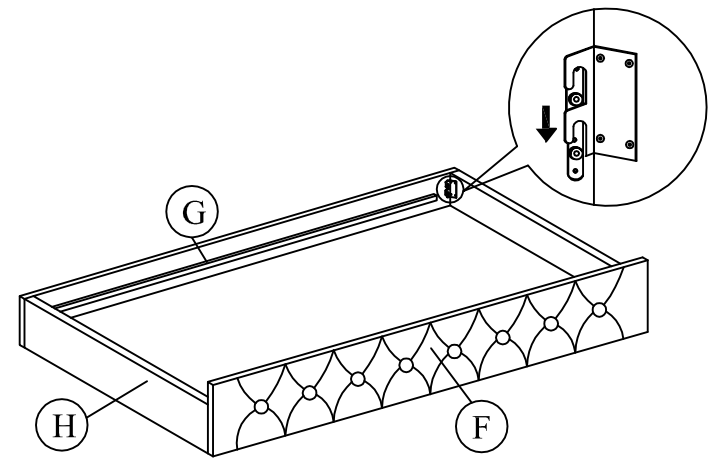


Packing Hardware (1)		
1	 M5 x 70 mm	1 pc
2	 M5 x 65 mm	1 pc
3	 CSK M4 x 32mm	32 pcs
4	 JBBC M6 X 50	4 pcs
5	 SPRING WASHER	4 pcs
6	 FLAT WASHER	4 pcs
Packing Hardware (2)		
7	 M5 x 70 mm	1 pc
8	 CSK M4 x 32 mm	32 pcs
9	 CSK M4 x 16 mm	24 pcs
10	 Roller	6 pcs

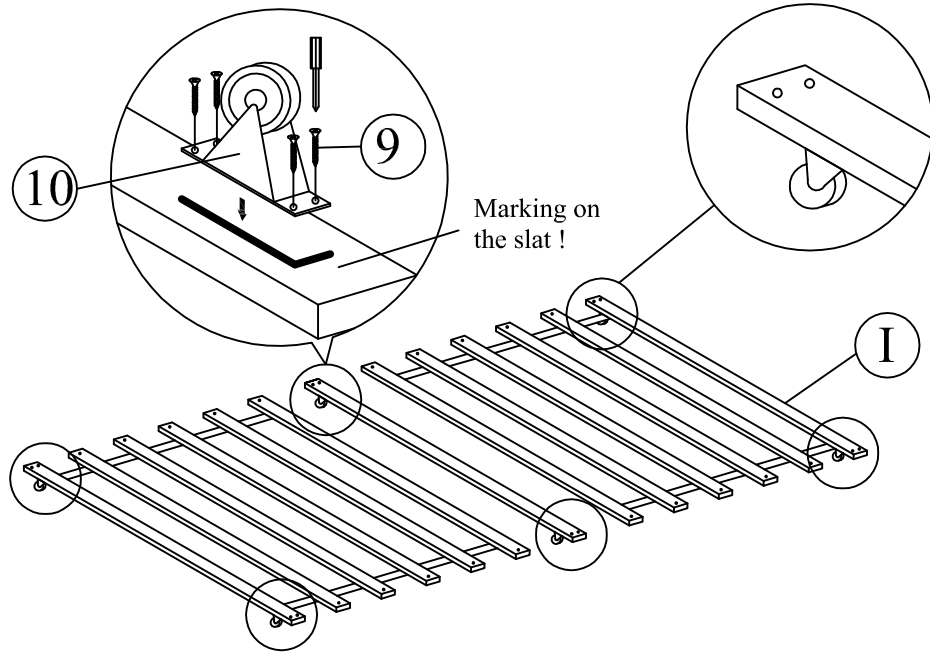
Step 3: Tighten the 4 Corner with Allen Key (1). Install the slats to side rail. Tighten the slats with CSK screw (3). The distance of the slats should be sufficient to obtain desirable bed stability.



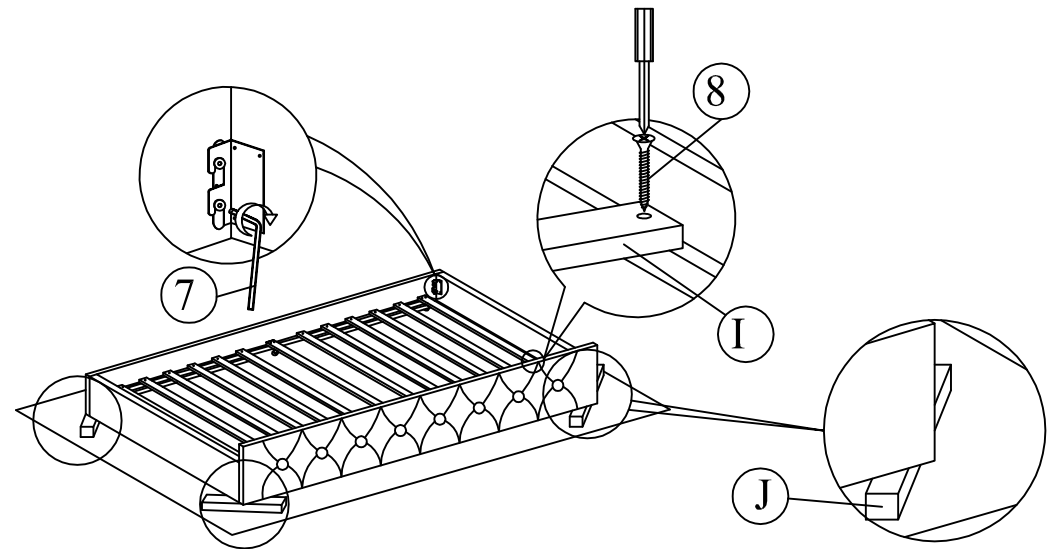
Step 4: Attach trundle side panel (H) and trundle front panel (F) to trundle back panel (G) by pushing the bracket down to fit it.



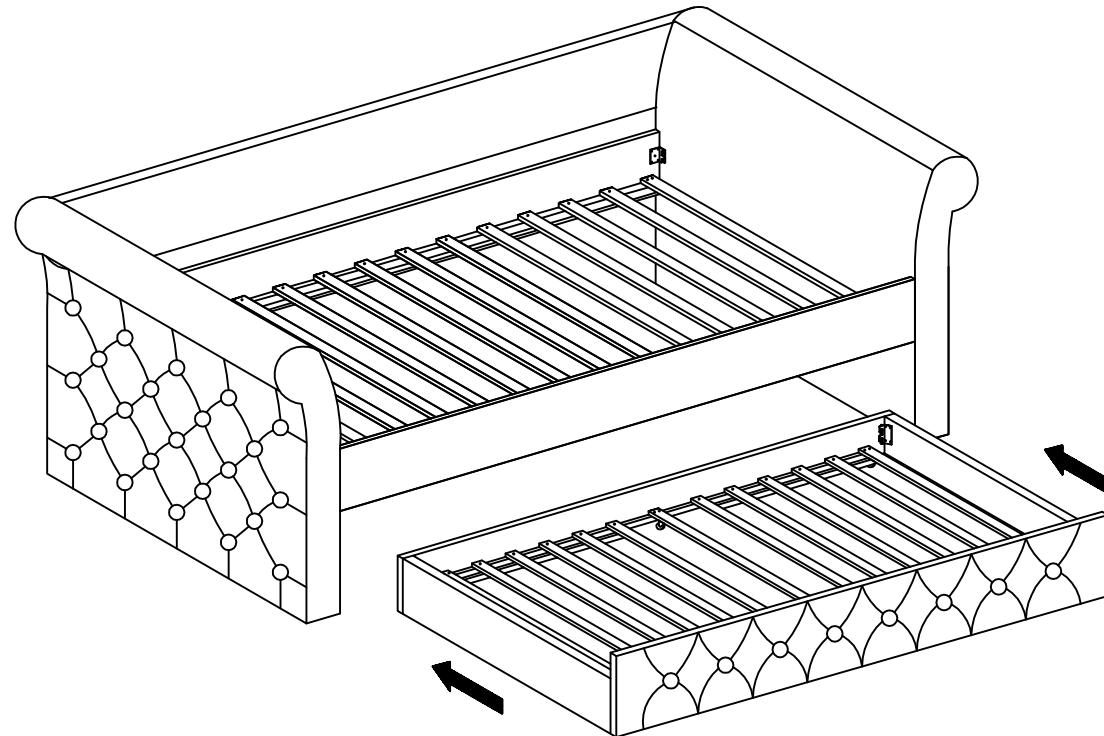
Step 5: Affix the roller (10) to the slat (I) follow the marking on the slat (H)



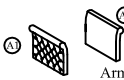
Step 6: Place the wooden blocks (J) at the corner of the trundle and fix the slat (I) to the side rail at (F) & (G) .



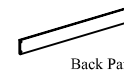
Step 7: Assembly is complete




ASSEMBLY INSTRUCTION

A		1 pc
---	--	------


Step 1: Attach side rail (D) & (E) to arm (A) by pushing the bracket down to fit it.

B		1 pc
---	---	------

C		1 pc
---	---	------


D		1 pc
---	---	------


E		1 pc
---	---	------

F		1 pc
---	---	------

G		1 pc
---	---	------


H		2 pcs
---	---	-------

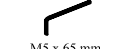
I		1 pc
---	---	------

J		4 pcs
---	---	-------

K		1 pc
---	---	------

Packing Hardware (1)

1		1 pc
---	---	------

2		1 pc
---	--	------

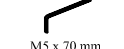
3		26 pcs
---	---	--------

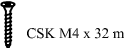
4		4 pcs
---	---	-------

5		4 pcs
---	---	-------

6		4 pcs
---	---	-------

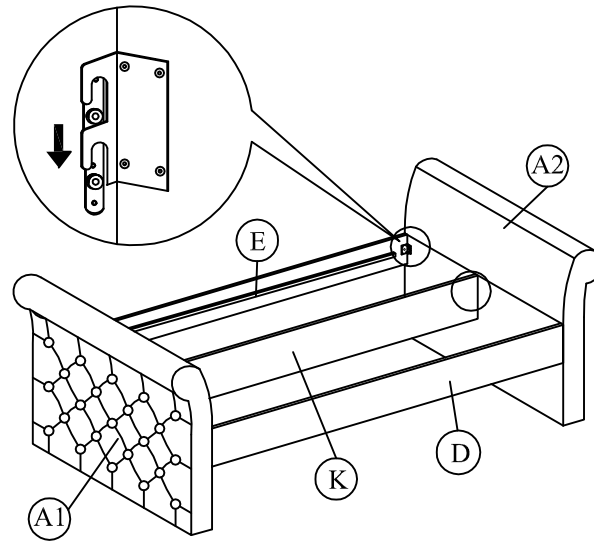
Packing Hardware (2)

7		1 pc
---	---	------

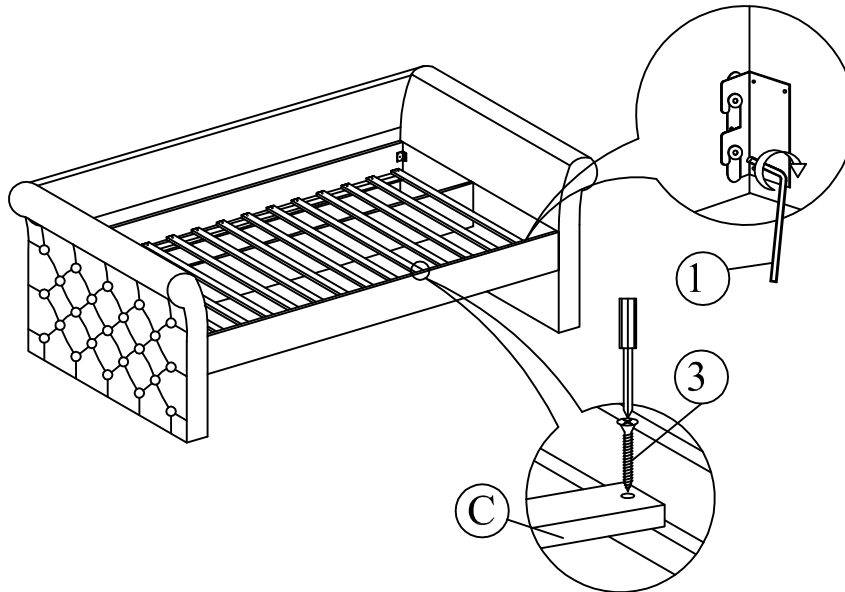
8		32 pcs
---	---	--------

9		24 pcs
---	---	--------

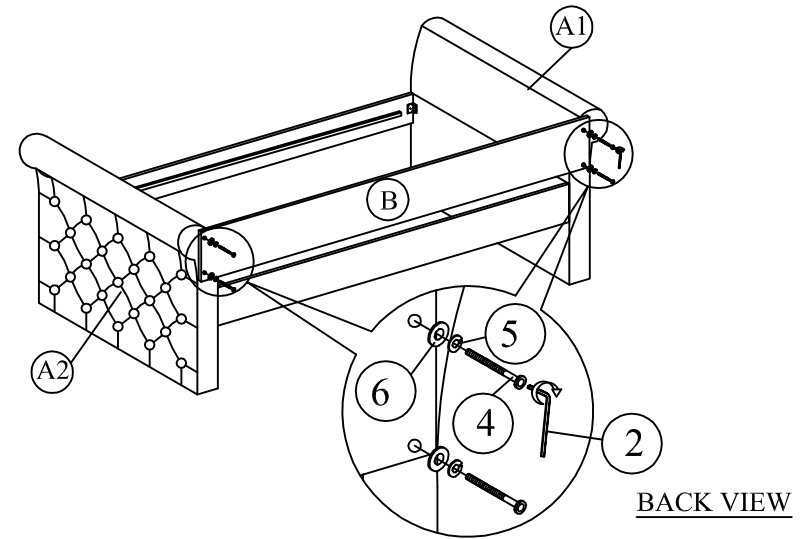
10		6 pcs
----	---	-------



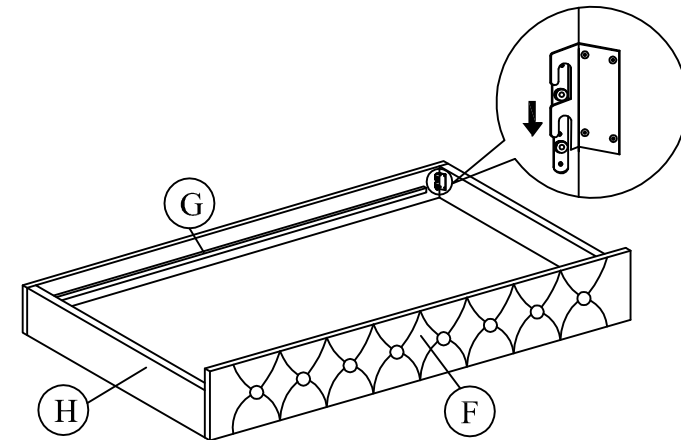
Step 3: Tighten the 4 Corner with Allen Key (1). Install the slats to side rail. Tighten the slats with CSK screw (3). The distance of the slats should be sufficient to obtain desirable bed stability.



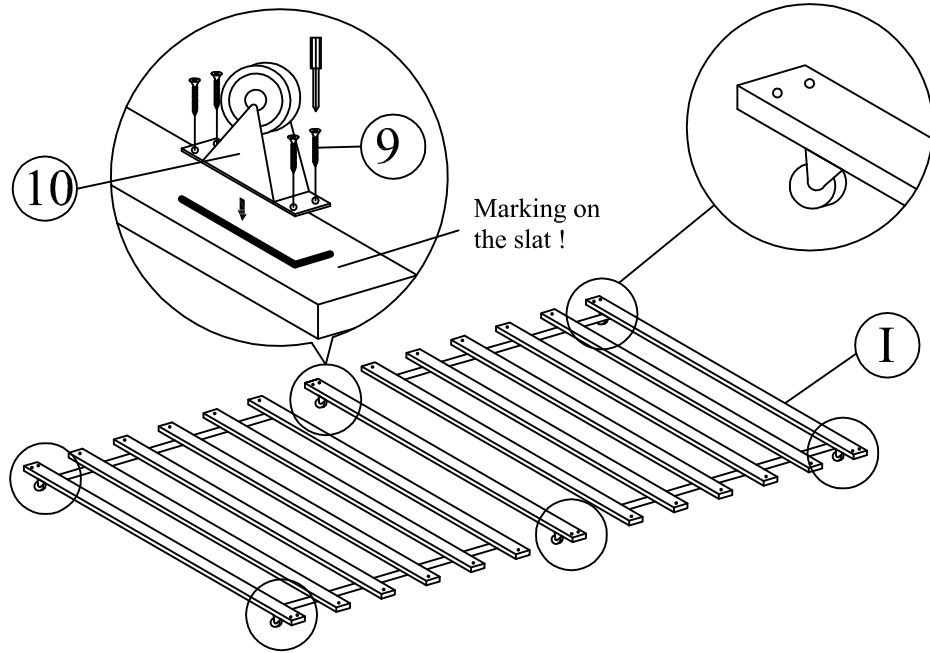
Step 2: Attach the Back Panel (B) to the arm (A) as shown.



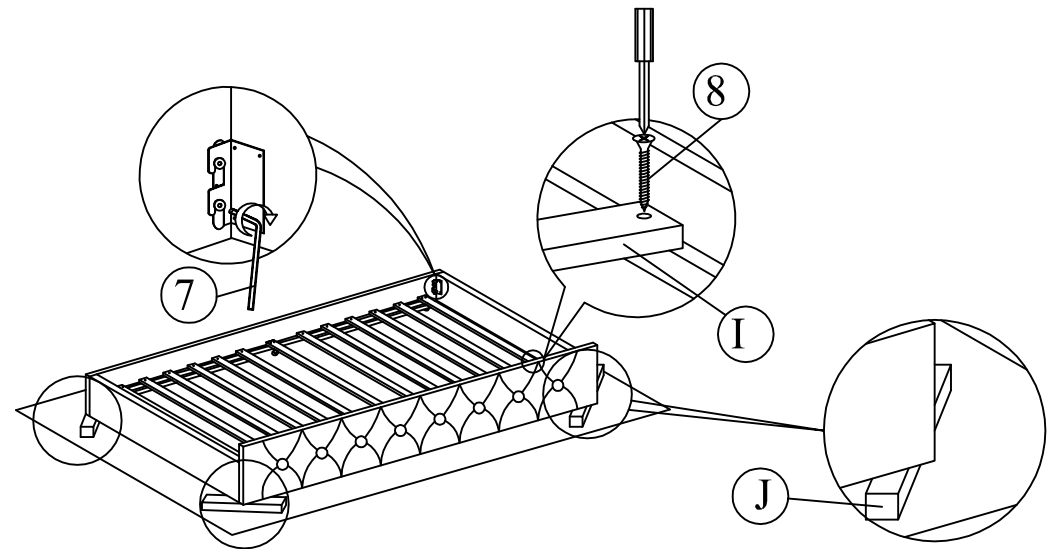
Step 4: Attach trundle side panel (H) and trundle front panel (F) to trundle back panel (G) by pushing the bracket down to fit it.



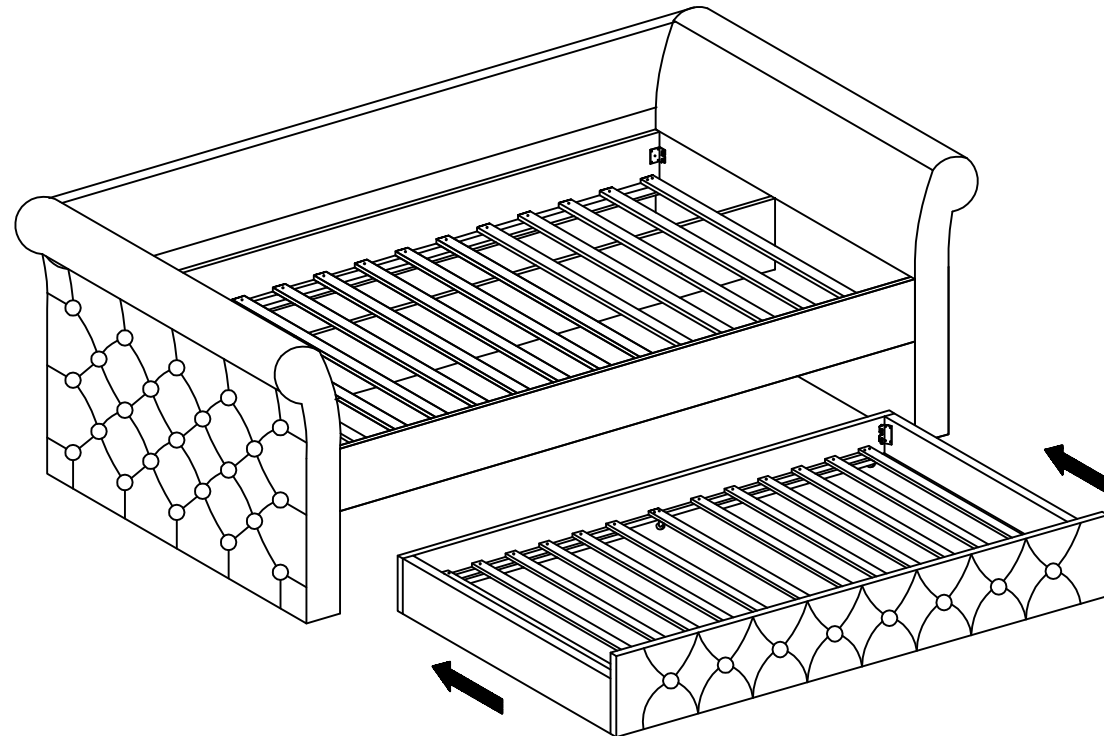
Step 5: Affix the roller (10) to the slat (I) follow the marking on the slat (H)




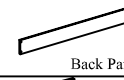

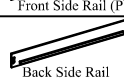
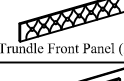


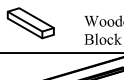

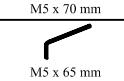

Step 6: Place the wooden blocks (J) at the corner of the trundle and fix the slat (I) to the side rail at (F) & (G) .

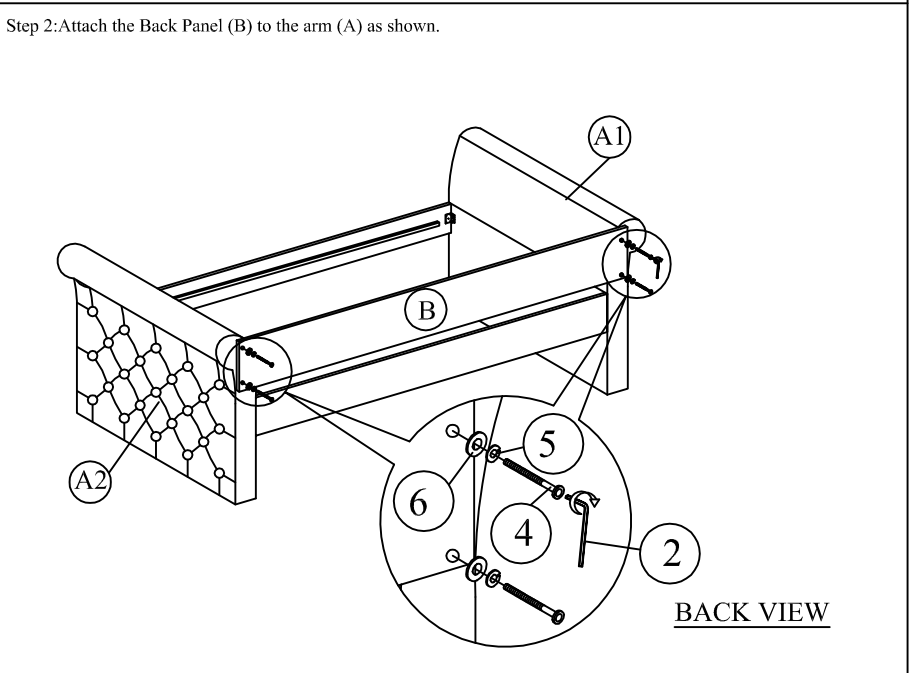
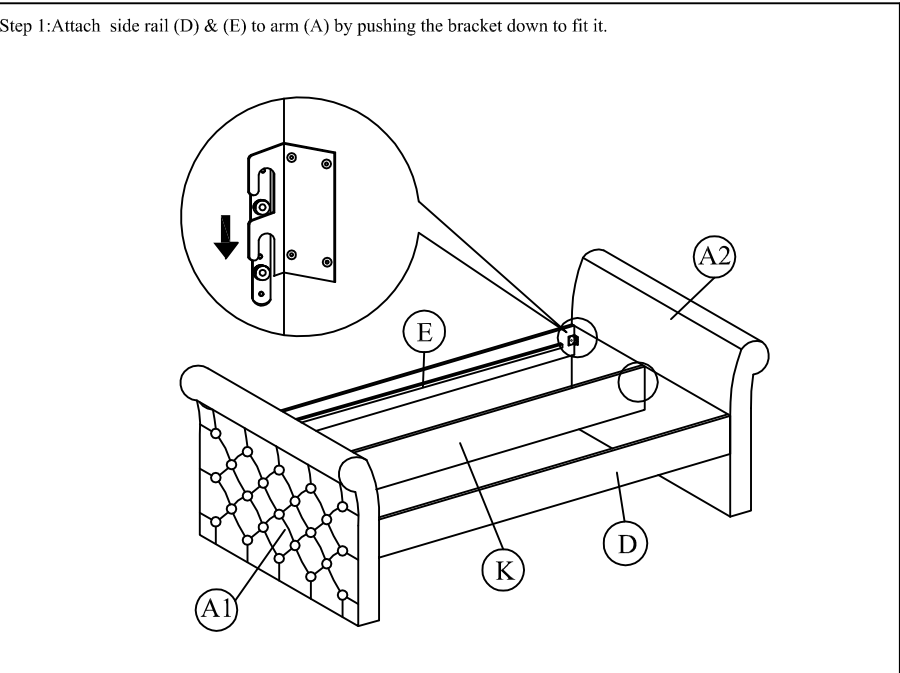


Step 7: Assembly is complete

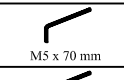
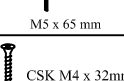






ASSEMBLY INSTRUCTION



A		1 pc
B		1 pc
C		1 pc
D		1 pc
E		1 pc
F		1 pc
G		1 pc
H		2 pcs
I		1 pc
J		4 pcs
K		1 pc

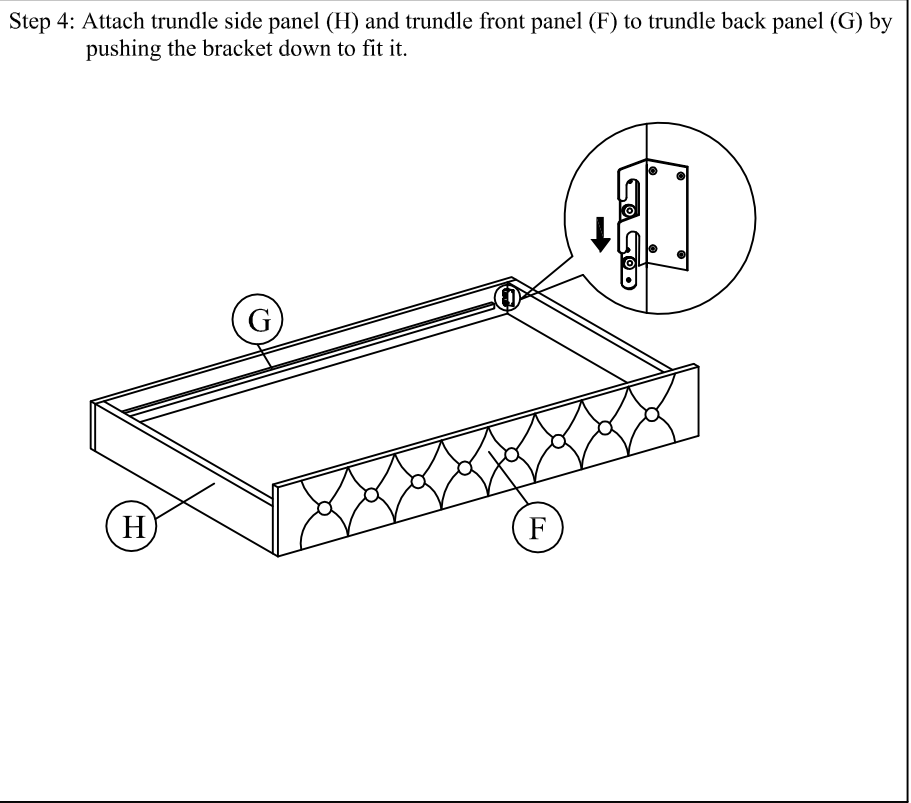
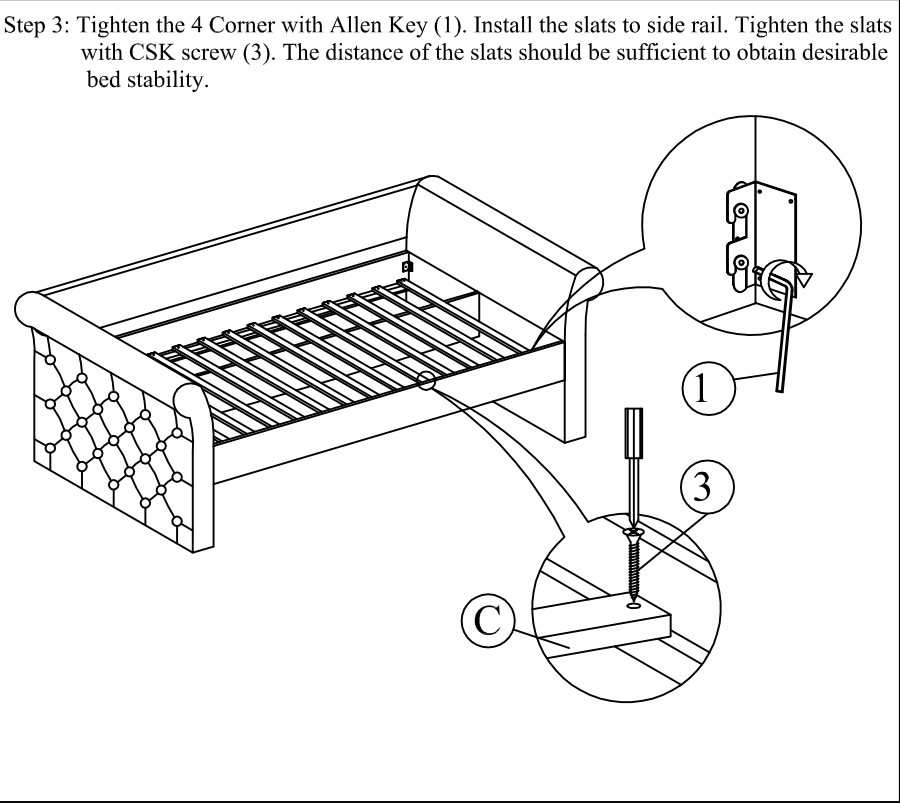


Packing Hardware (1)

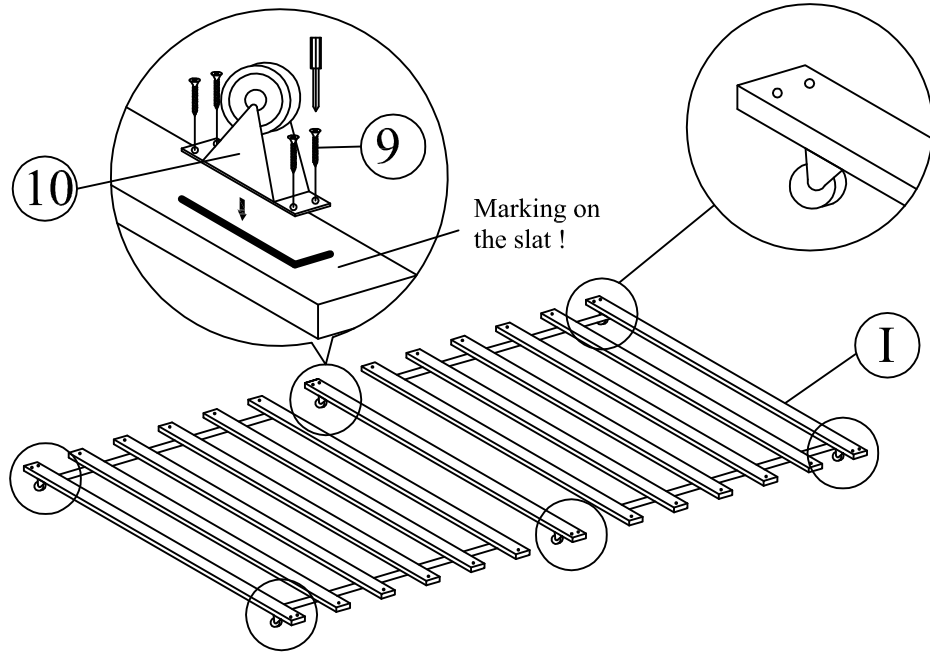
1		1 pc
2		1 pc
3		28 pcs
4		4 pcs
5		4 pcs
6		4 pcs

Packing Hardware (2)

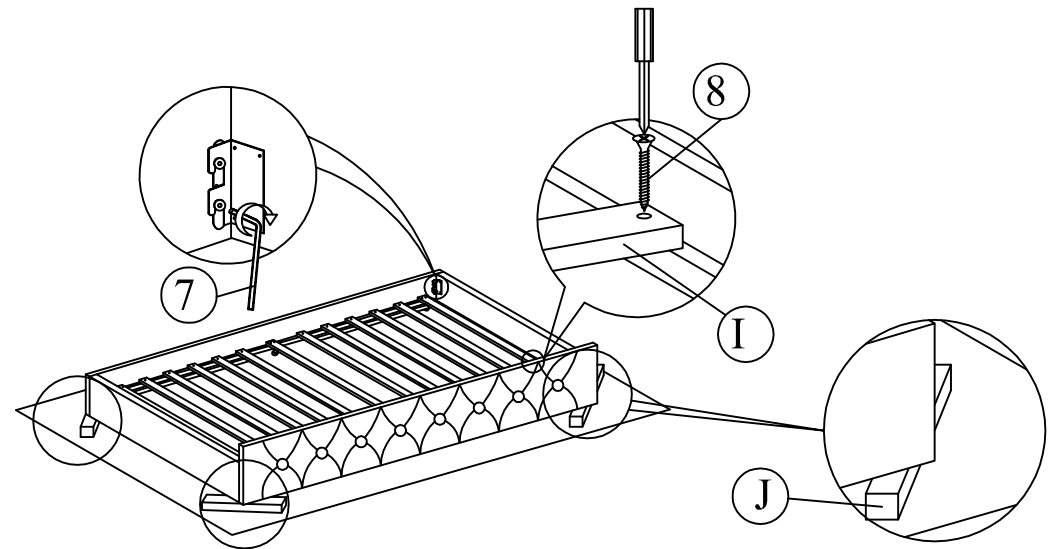
7		1 pc
8		32 pcs
9		24 pcs
10		6 pcs



Step 5: Affix the roller (10) to the slat (I) follow the marking on the slat (H)



Step 6: Place the wooden blocks (J) at the corner of the trundle and fix the slat (I) to the side rail at (F) & (G) .



Step 7: Assembly is complete

