



Kindly Remind

It is not easy to meet each other in such a big world

Thank You for Your Purchase!

Dear Valued Customer,

If you encounter any issues, please contact us. Our support team is here to help.

Please provide us below information when you contact us:

1. Purchase order number and platform
2. Problem details(including damage or missing parts number, problem picture)

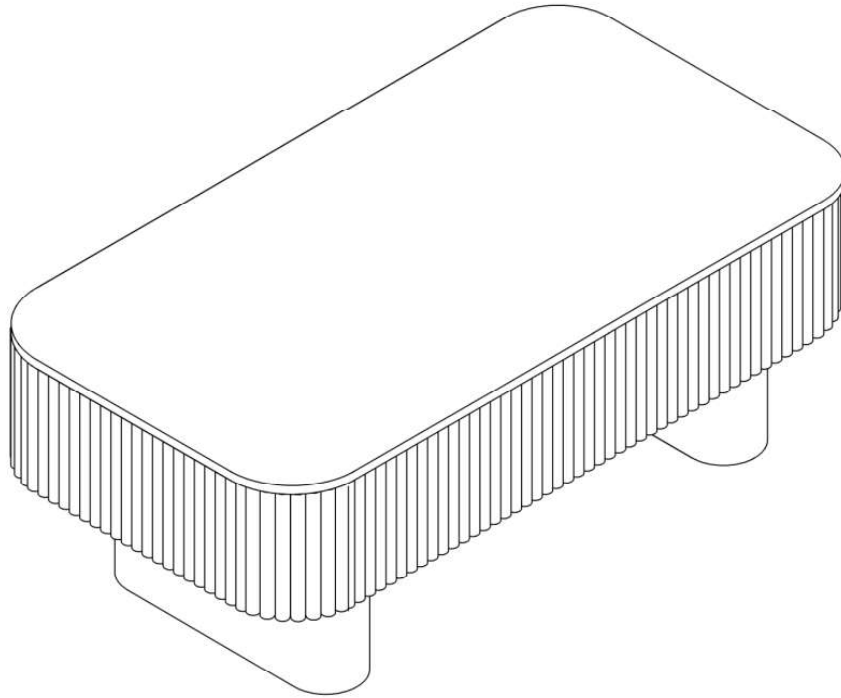
Response Hours: In 24 hours

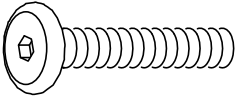

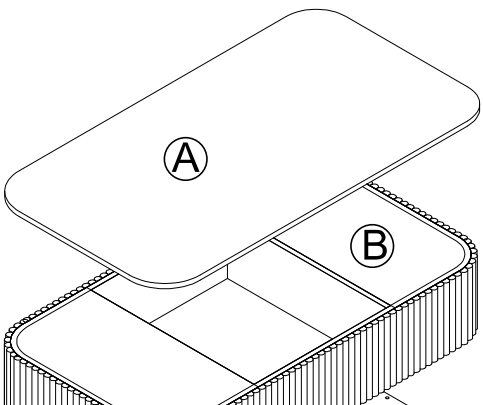

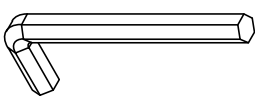
Return policy:

1. Save time and money: Don't return the product without contacting US
2. Don't open all packages if returning, use the original package for return
3. For quality issues, provide images or videos for a quick solution within 24 hours.



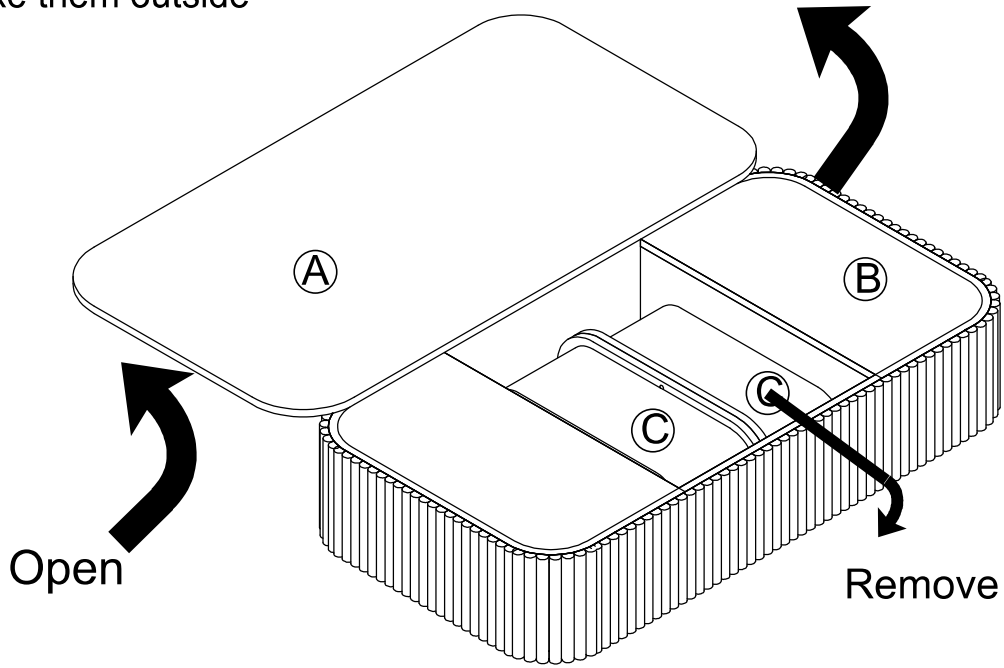
ASSEMBLY INSTRUCTION



PART LIST			HARDWARE LIST	
Ⓐ	Table top	01	① Bolt M6 x 35mm Q.ty: 8pcs+ extra 1pcs	
Ⓑ	Mid component	01		
Ⓒ	Legs	02	② Ø12 - Ø6 Q.ty: 8pcs+ extra 1pcs	
			③ Ø16 - Ø6 Q.ty: 8pcs+ extra 1pcs	
			④ Q.ty: 1pc	

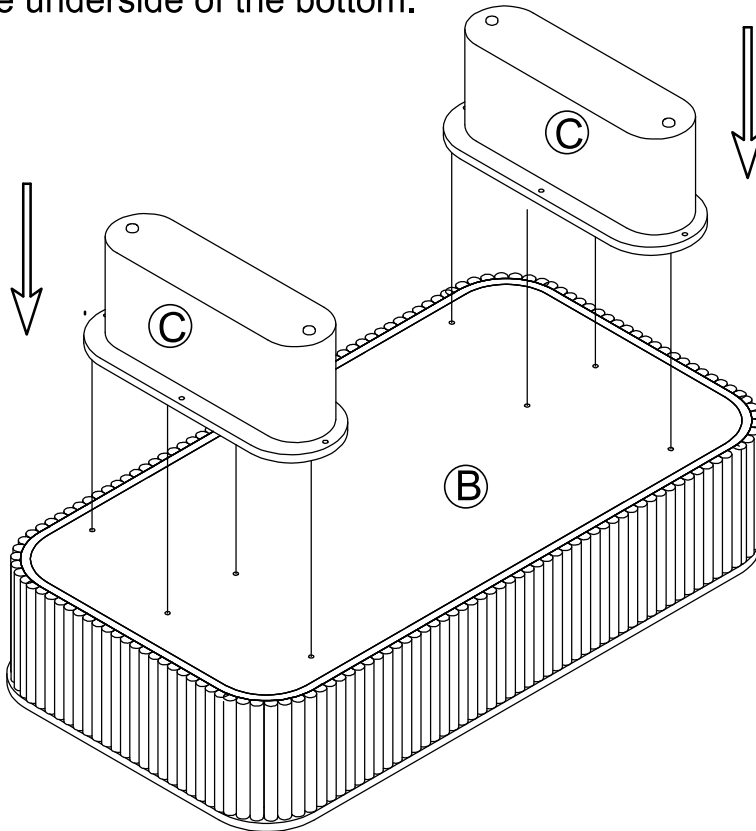
Step 1:

Open the Tabletop (A) by hand, then remove the Legs (C) from storage (B) and take them outside



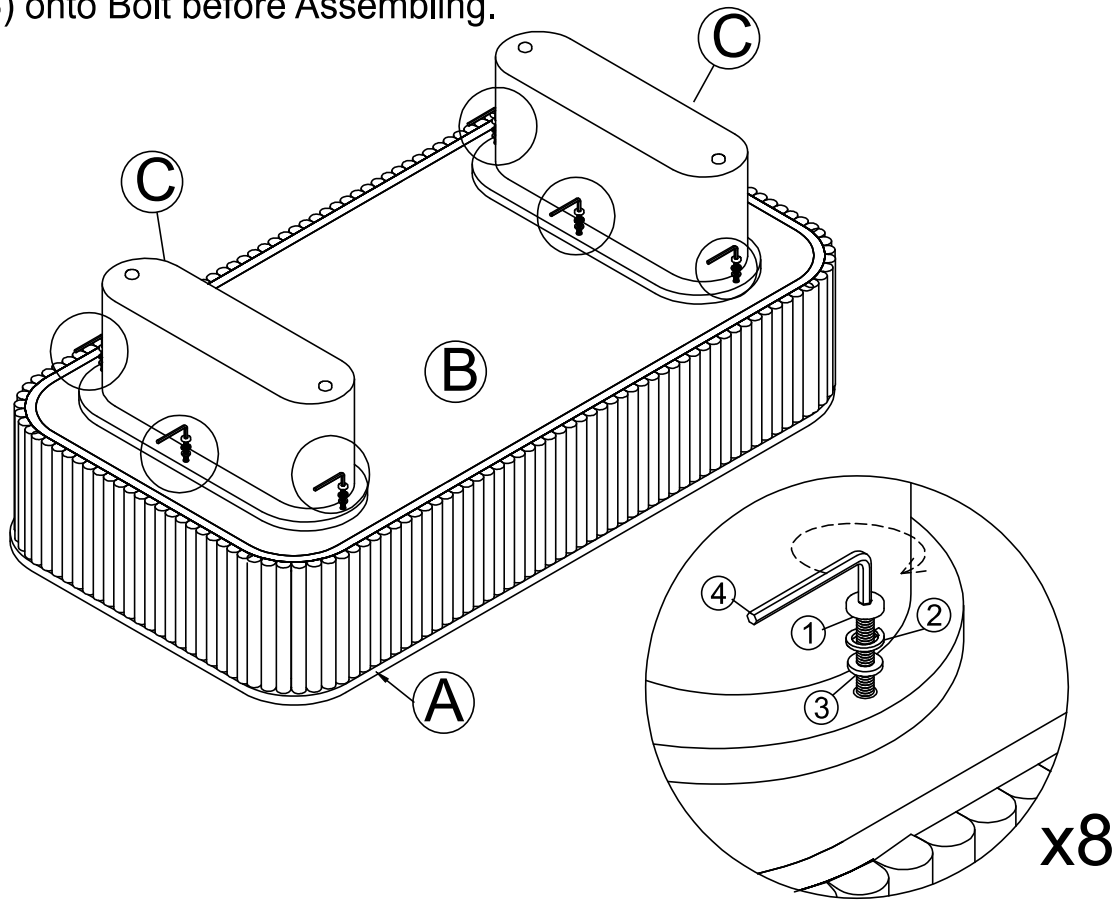
Step 2:

Next, invert the table and position each leg in the designated order into the pre-drilled holes located on the underside of the bottom.



Step 3:

At this stage, secure the Legs using M6 x 35 bolts (1). Insert Spring Washer (2) and Flat Washer (3) onto Bolt before Assembling.



Step 4:

Finally, carefully turn the table upright once all Bolts have been securely tightened, and enjoy your Coffee Table.

