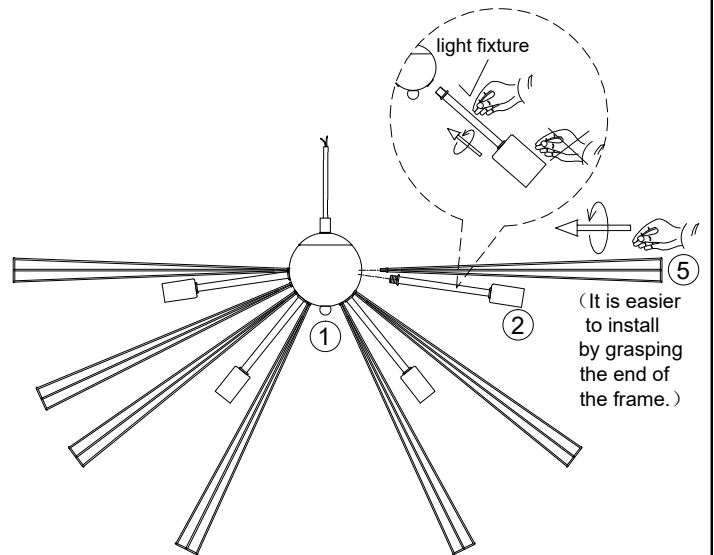
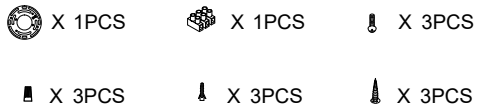
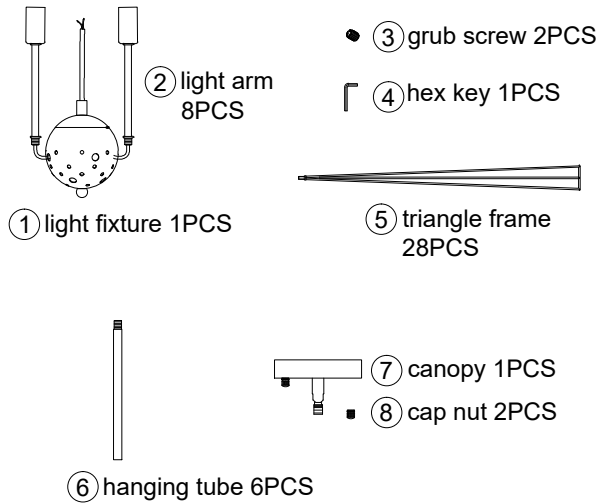
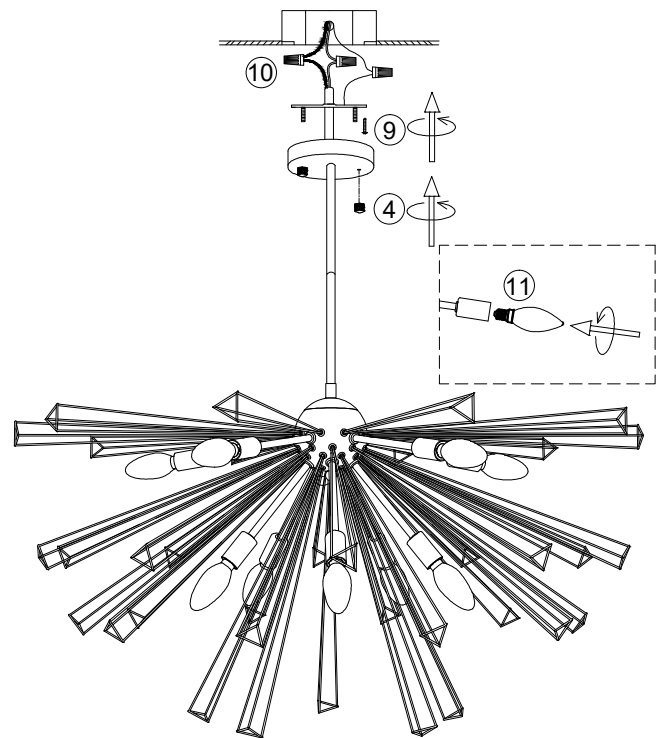
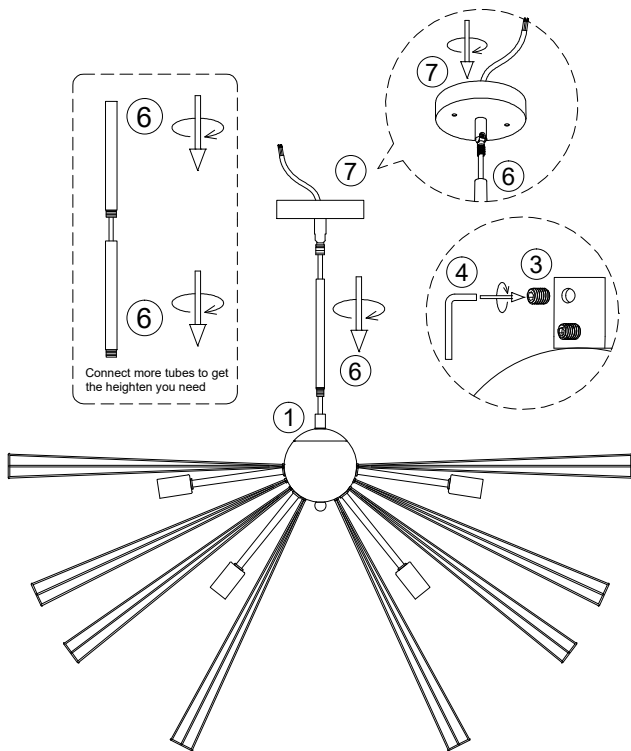


# ASSEMBLY INSTRUCTIONS



1. Rotate the light arm ② in the opposite direction for ⑩ circles, and then install it to the ball ①. (note: please grasping the tube not the light cup when install the light arms!!!)
2. Rotate to install the frame ③ to the ball ①.



3. Let the wire go through the tube ⑥ and canopy ⑦, rotate to fix both to the fixture. (can connect more tubes to the height you need).
4. Fasten the tube ⑥ to the ball ① with grub screw ③ (by rotate hex key ④).

5. Install the bracket to the ceiling junction box with screw ⑨.
6. Connect the wires to your home line with cap connector ⑩.
7. Install the light fixture to the canopy with cap nut ④.
8. Install the bulb ⑪.

Please read carefully before installation!!!

Note : Please make sure that the electricity is powered off during installation !Only a professional electrician should install this kind of product !