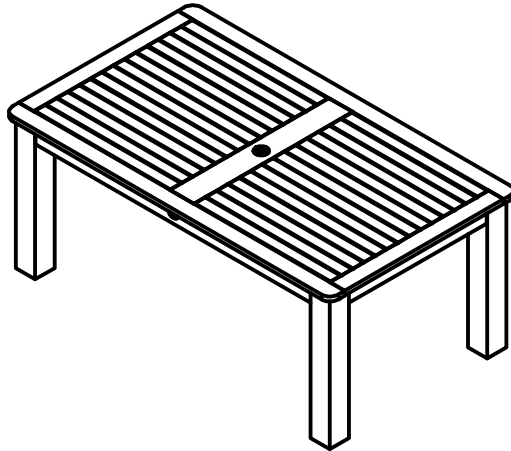


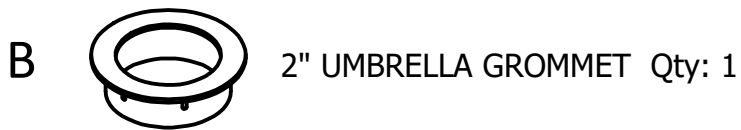
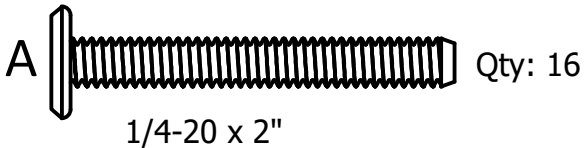
# Square/Rectangular Dining Tables

## Assembly Guide

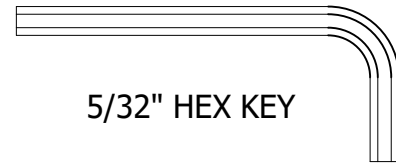


\*Actual Style May Vary from the One Pictured in this Guide

### HARDWARE INCLUDED

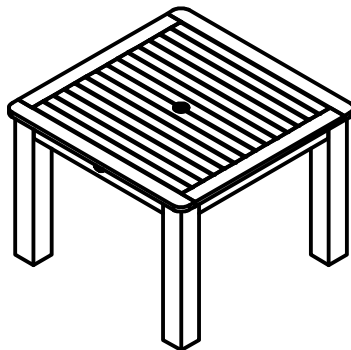


### TOOLS INCLUDED

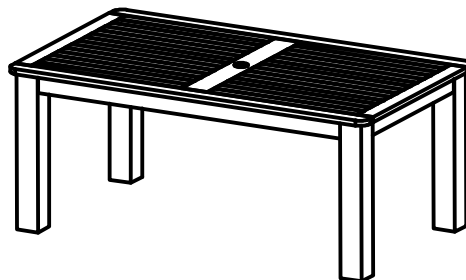


### IMPORTANT!

DO NOT fully tighten bolts until all bolts are started.



42X42 SQUARE  
DINING OR COUNTER HEIGHT DINING TABLE



RECTANGULAR DINING OR COUNTER HEIGHT DINING TABLE  
RECTANGULAR DINING OR COUNTER HEIGHT DINING TABLE

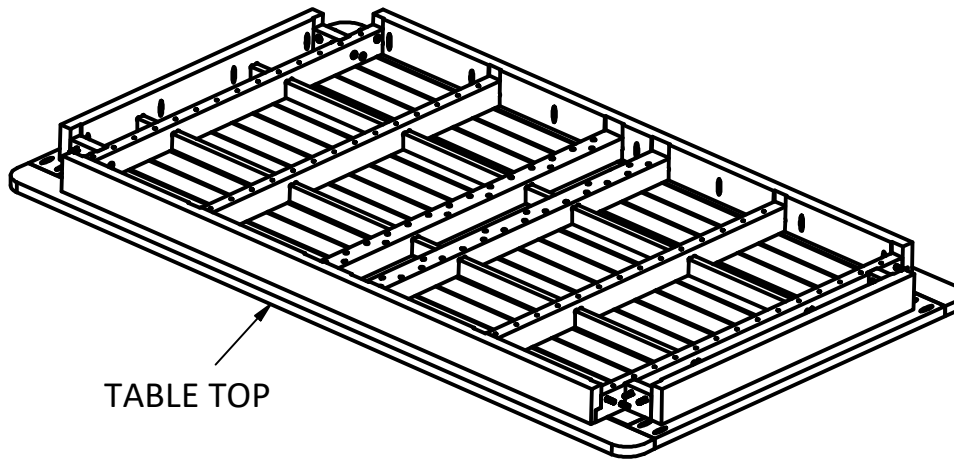
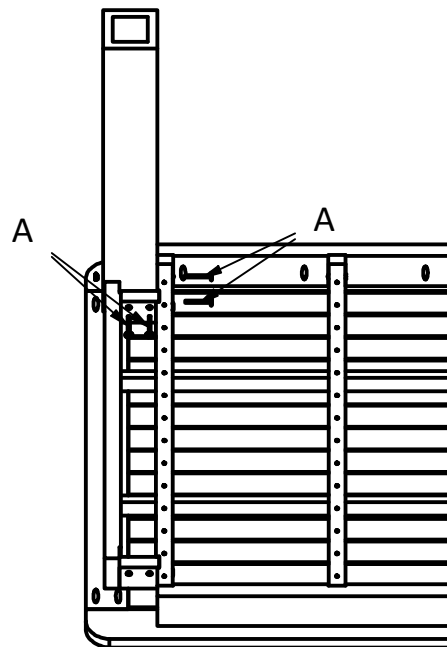


TABLE TOP

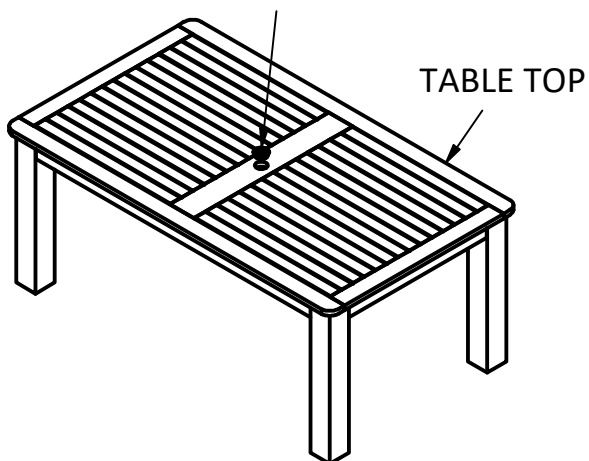
1) Place the Table Top upside down on a soft surface.



2) Attach Leg to Table Top with (4) A Bolts as shown.

3) Repeat for each Leg.

2" UMBRELLA GROMMET



4) If installing an umbrella, insert the 2" UMBRELLA GROMMET in the center hole of the Table Top.