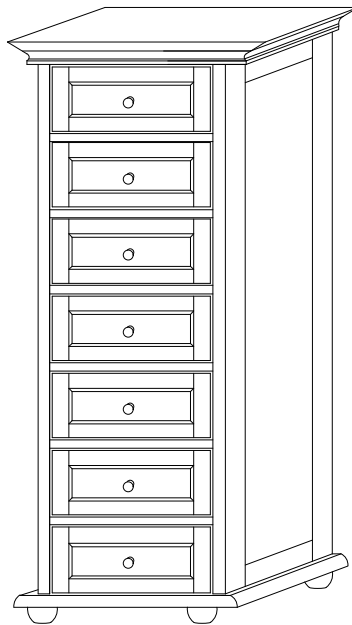


ASSEMBLY INSTRUCTIONS

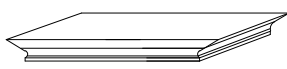
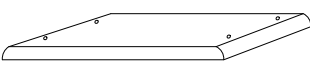
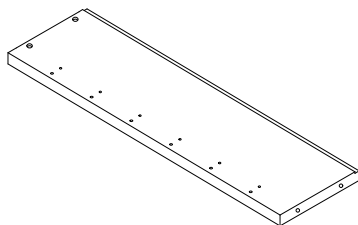
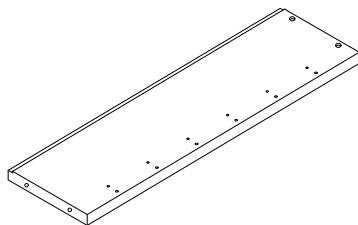
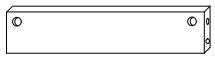
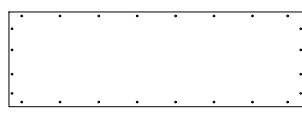
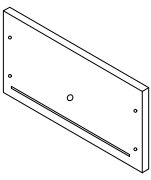
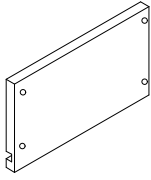
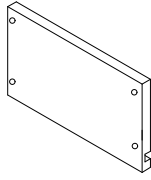
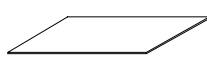
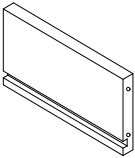
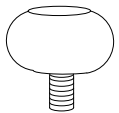
Made In Vietnam

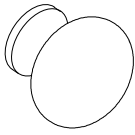
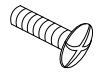
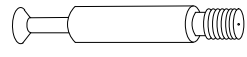
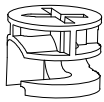
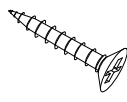
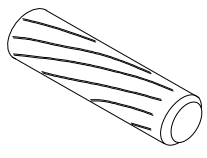

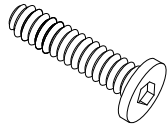
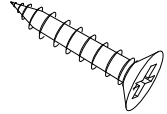
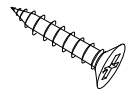
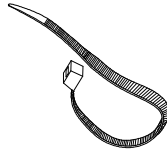
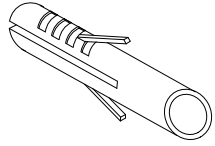
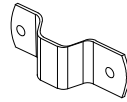

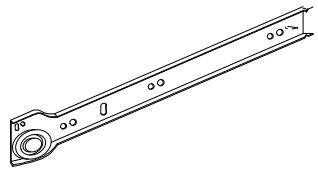
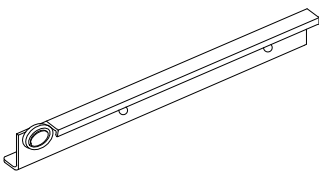
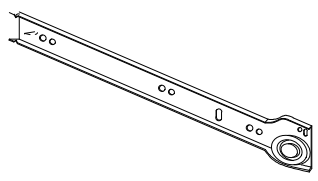
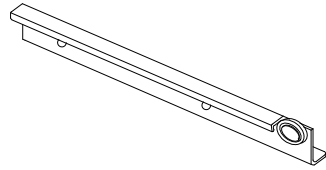
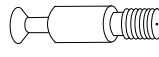



Thank you for purchasing this quality product. Be sure to check all packing material carefully for small parts, which may have come loose inside the carton during shipment. Count all parts and material hardware, then compare with parts list to be sure all parts are present. If any parts are missing or damaged, phone, fax, or mail to our Customer Service Department for efficient and speedy service. Please indicate the model number and code letter of part(s) needed.

NOTE: In order to prevent damage during assembly, please assemble this item with at least two people.

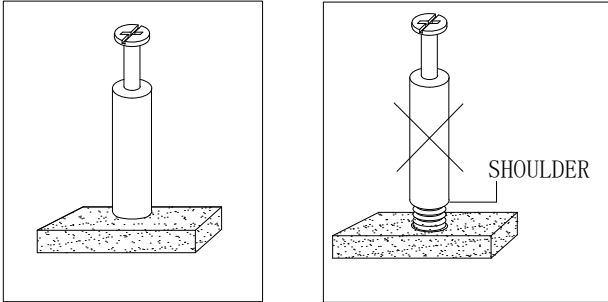
IMPORTANT NOTE: Follow instructions listed below in proper sequence as numbered to assure fast, easy and correct assembly.

<h1>PARTS LIST</h1>		
<b>A</b> 	<b>B</b> 	<b>C</b> 
TOP PANEL-1PC	BOTTOM PANEL-1PC	LEFT SIDE PANEL-1PC
<b>D</b> 	<b>E</b> 	<b>F</b> 
RIGHT SIDE PANEL-1PC	ACROSS PANELS-6PCS	BACK PANEL-1PC
<b>G</b> 	<b>H</b> 	<b>I</b> 
DRAWER PANEL FRONTS-7PCS	DRAWER RIGHT PANEL-7PCS	DRAWER LEFT PANEL-7PCS
<b>J</b> 	<b>K</b> 	<b>L</b> 
DRAWER BOTTOM PANEL-7PCS	DRAWER BACKS PANEL-7PCS	FEET-4PCS

<p>1</p>  <p>KNOBS-7PCS</p>	<p>2</p> <p>8mm*1"</p>  <p>BOLTS-7PCS</p>	<p>3</p>  <p>CAM-BOLTS-16PCS</p>
<p>4</p>  <p>CAM-LOCKS-16PCS</p>	<p>5</p> <p>6mm*1/2"</p>  <p>SCREWS-116PCS</p>	<p>6</p>  <p>DOWELS-20PCS</p>
<p>7</p>  <p>CAM TOOL-1PC</p>	<p>8</p> <p>11mm*1-1/4"</p>  <p>BOLTS-4PCS</p>	<p>9</p> <p>6mm*1"</p>  <p>SCREWS-28PCS</p>
<p>10</p> <p>7mm*1-1/2"</p>  <p>SCREWS-4PCS</p>	<p>11</p>  <p>PLASTIC BELTS-2PCS</p>	<p>12</p>  <p>GECKOS-4PCS</p>
<p>13</p>  <p>HOOKS-4PCS</p>	<p>14</p>  <p>ALLEN WRENCH-1PC</p>	<p>15</p>  <p>FEMALE SLIDING LEFT - 7PCS</p>
<p>16</p>  <p>MALE SLIDING LEFT - 7PCS</p>	<p>17</p>  <p>FEMALE SLIDING RIGHT-7PCS</p>	<p>18</p>  <p>MALE SLIDING RIGHT-7PCS</p>
<p>19</p>  <p>CAM BOLTS SMALL-28PCS</p>	<p>20</p>  <p>CAM LOCKS SMALL-28PCS</p>	

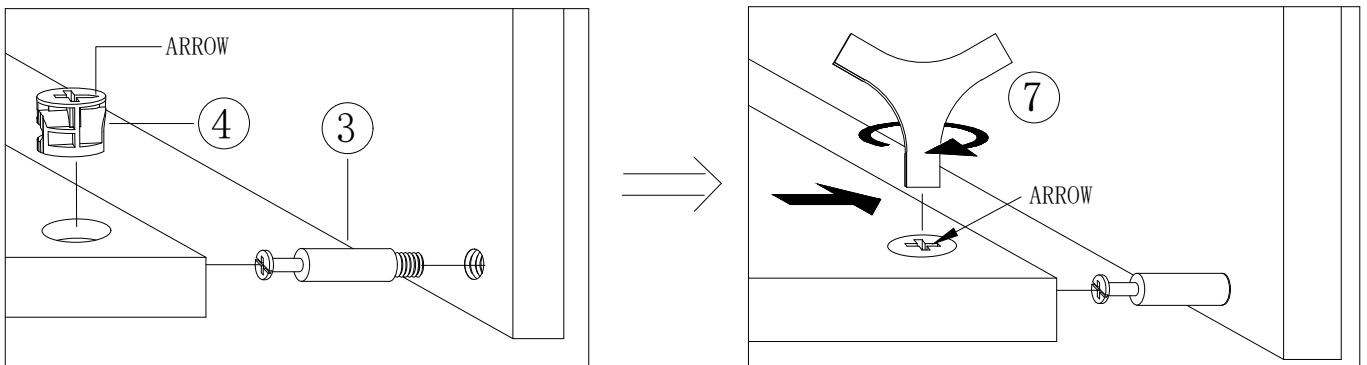
NOTE: THE SURFACE WITH THE STICKER IS THE BACK SIDE.

NOTE: ● UPON OPENING, THOROUGHLY CLEAN ALL WOOD SURFACES TO REMOVE DUST AND DIRT THAT MAY HAVE SETTLED ONTO FINISH DURING SHIPMENT. IN ORDER TO PREVENT DAMAGE DURING ASSEMBLY, PLEASE ASSEMBLE THIS ITEM WITH AT LEAST TWO PEOPLE.

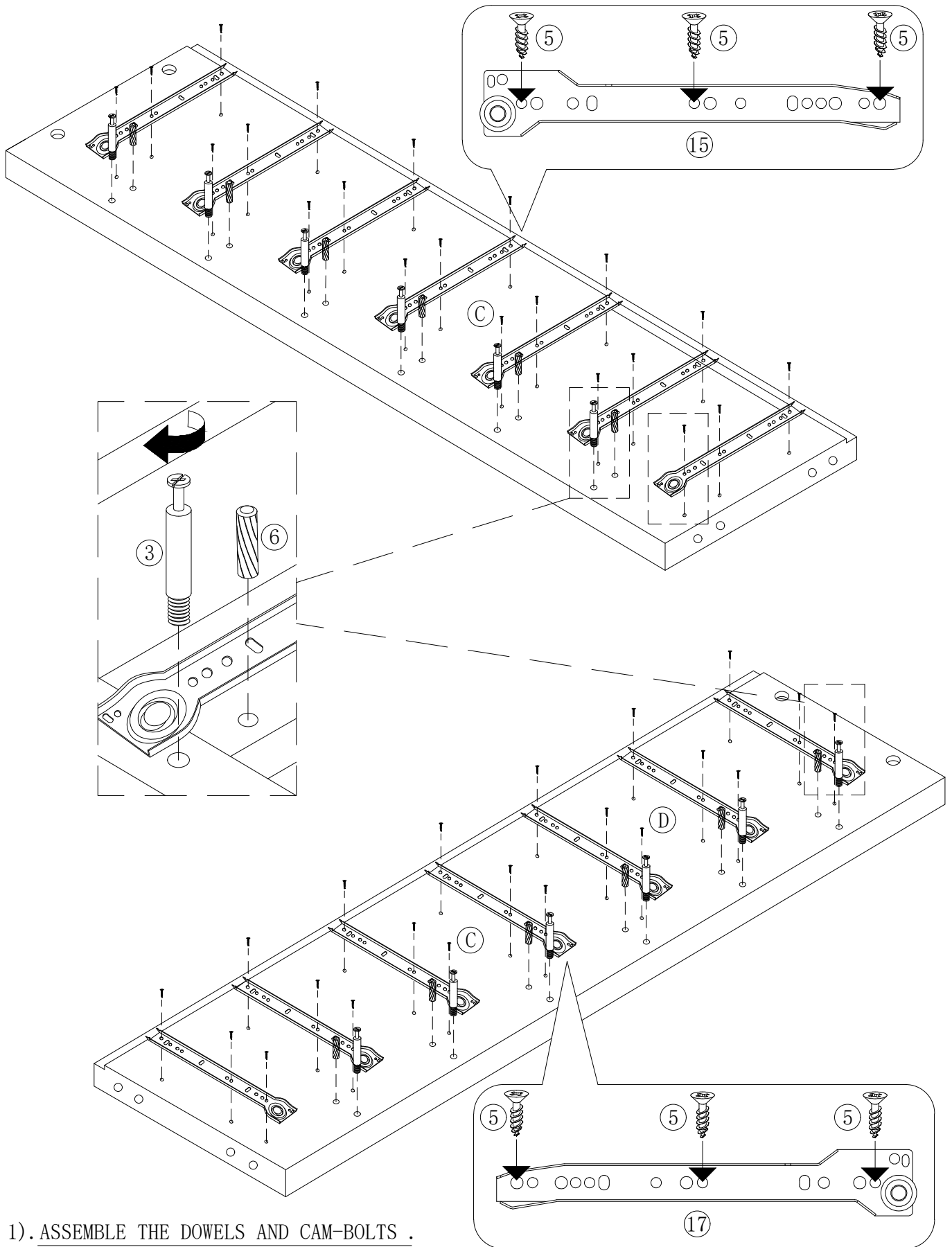


NOTE: TURN THE CAM-BOLT SCREWS UNTIL THEY ARE TIGHT, THE SHOULDER SHOULD BE AGAINST THE SURFACE OF THE PART.

## HOW TO USE THE CAM-TOOL

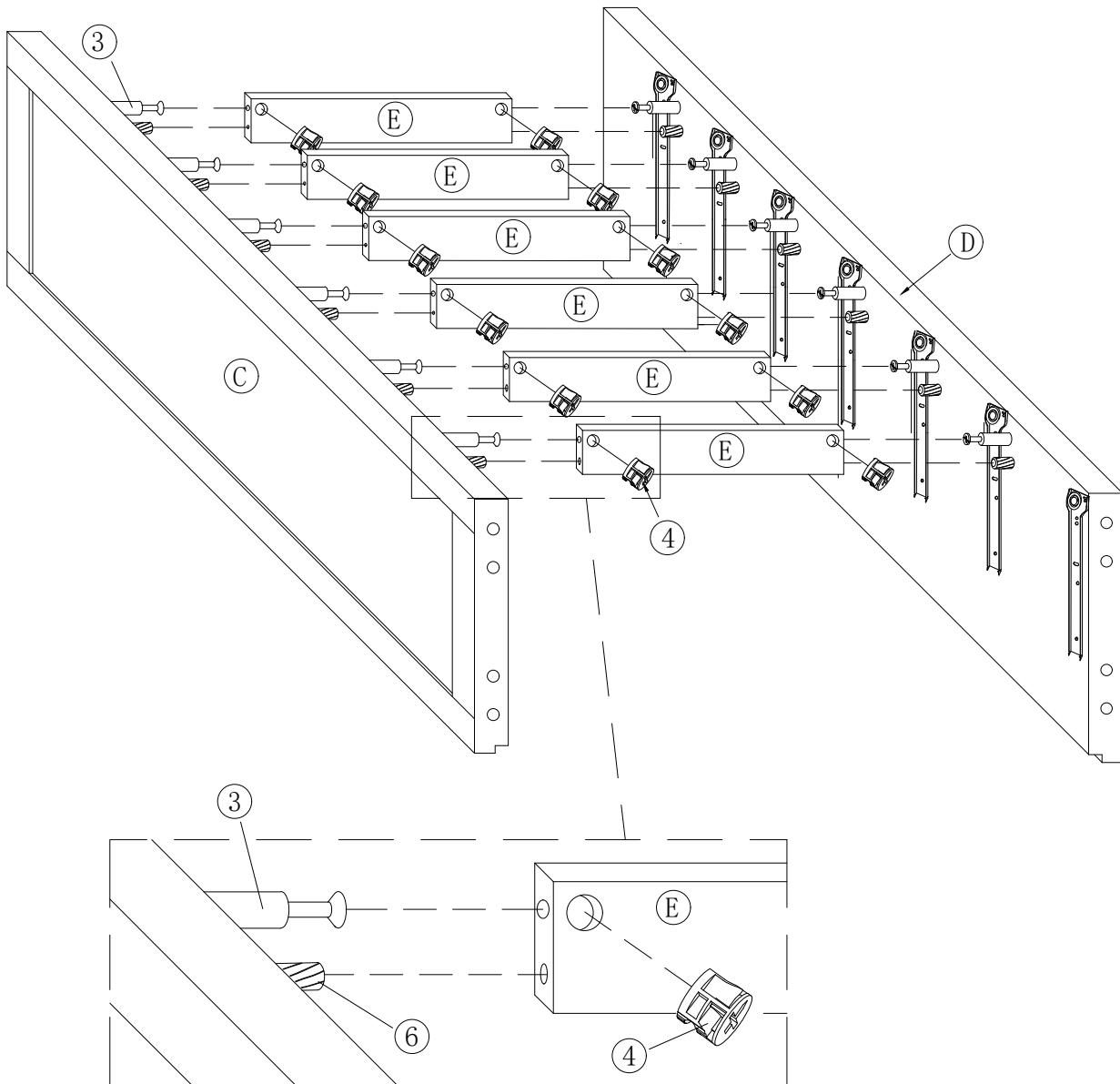


NOTE: ● THE ARROWS ON THE HIDDEN CAM-LOCKS SHOULD POINT TO THE CAM-BOLTS



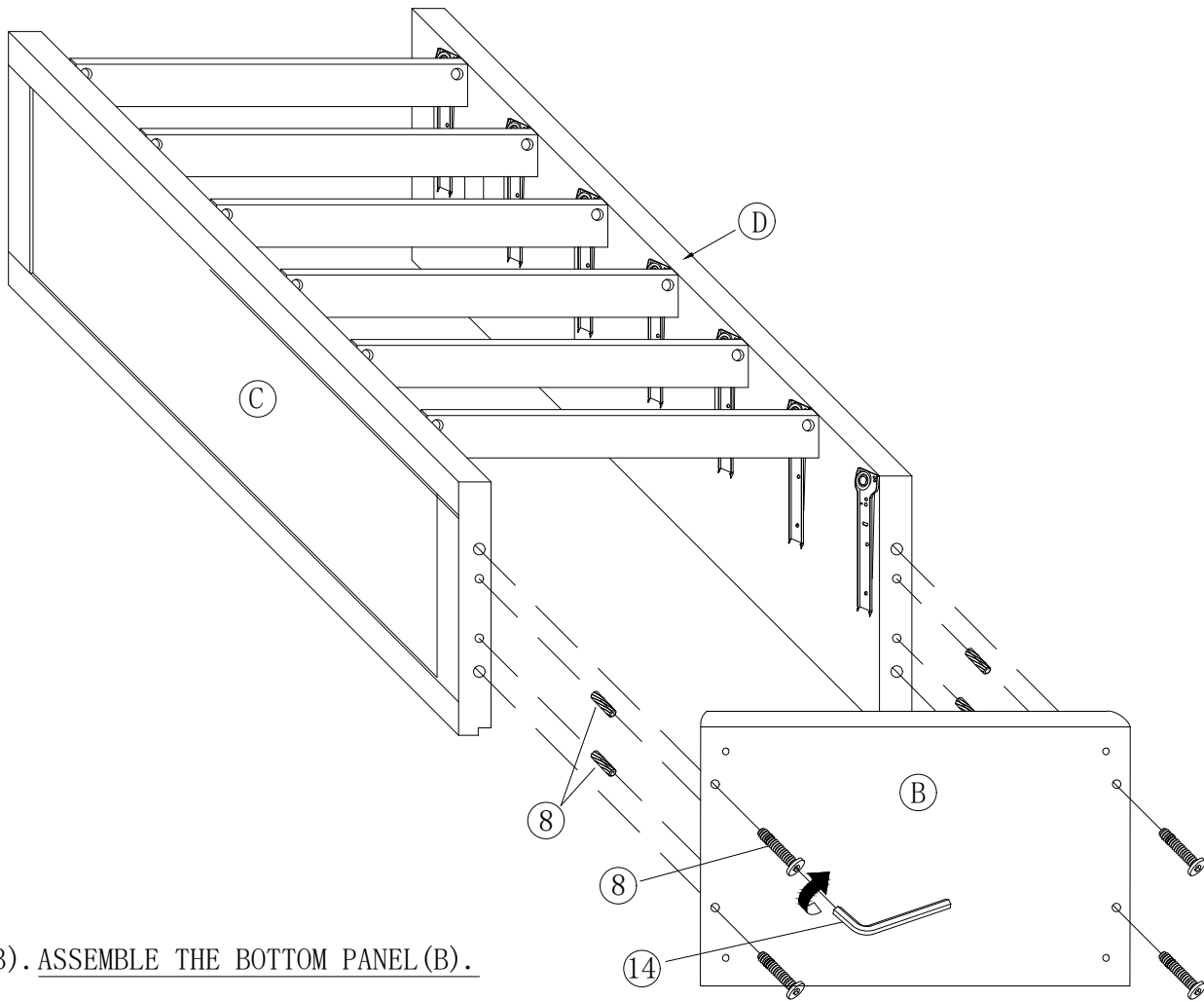
1). ASSEMBLE THE DOWELS AND CAM-BOLTS .

- INSERT 12 DOWELS(6) INTO THE HOLES IN THE LEFT/RIGHT SIDE PANEL(C/D).
- ROTATE 12 CAM-BOLTS(3) INTO THE HOLES IN THE LEFT/RIGHT SIDE PANEL(C/D).
- PLACE THE SLIDING(15), (17) INTO THE HOLES IN THE SIDE PANEL(C), (D)AND USING 42 SCREWS(5).



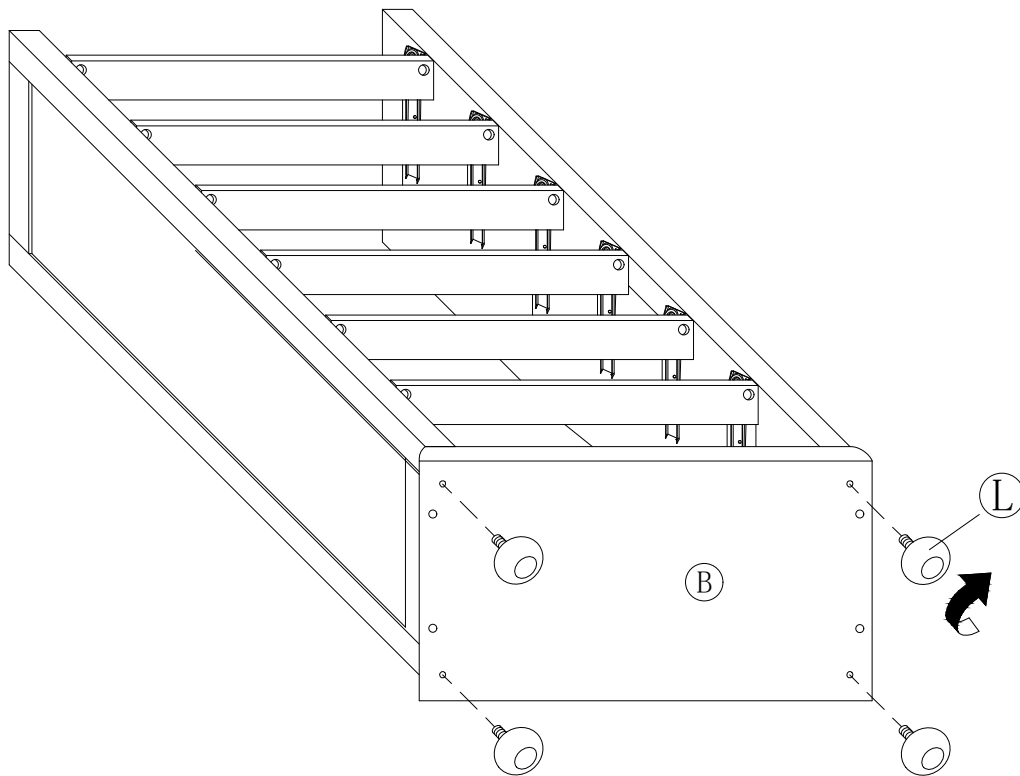
2). ASSEMBLE THE ACROSS PANEL (E)

- PLACE THE CAM-BOLTS(3) AND DOWELS(6) INTO THE HOLES IN THE PANEL(E) AND ATTACH USING 12 CAM-LOCKS(4).



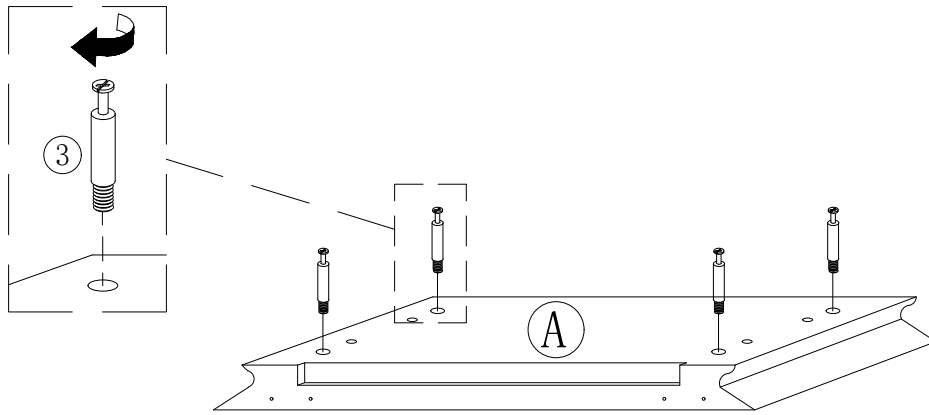
3). ASSEMBLE THE BOTTOM PANEL (B).

- ATTACH BOTTOM PANEL (B) LEFT/RIGHT SIDE PANEL (C/D) USING 4 BOLTS (8) .



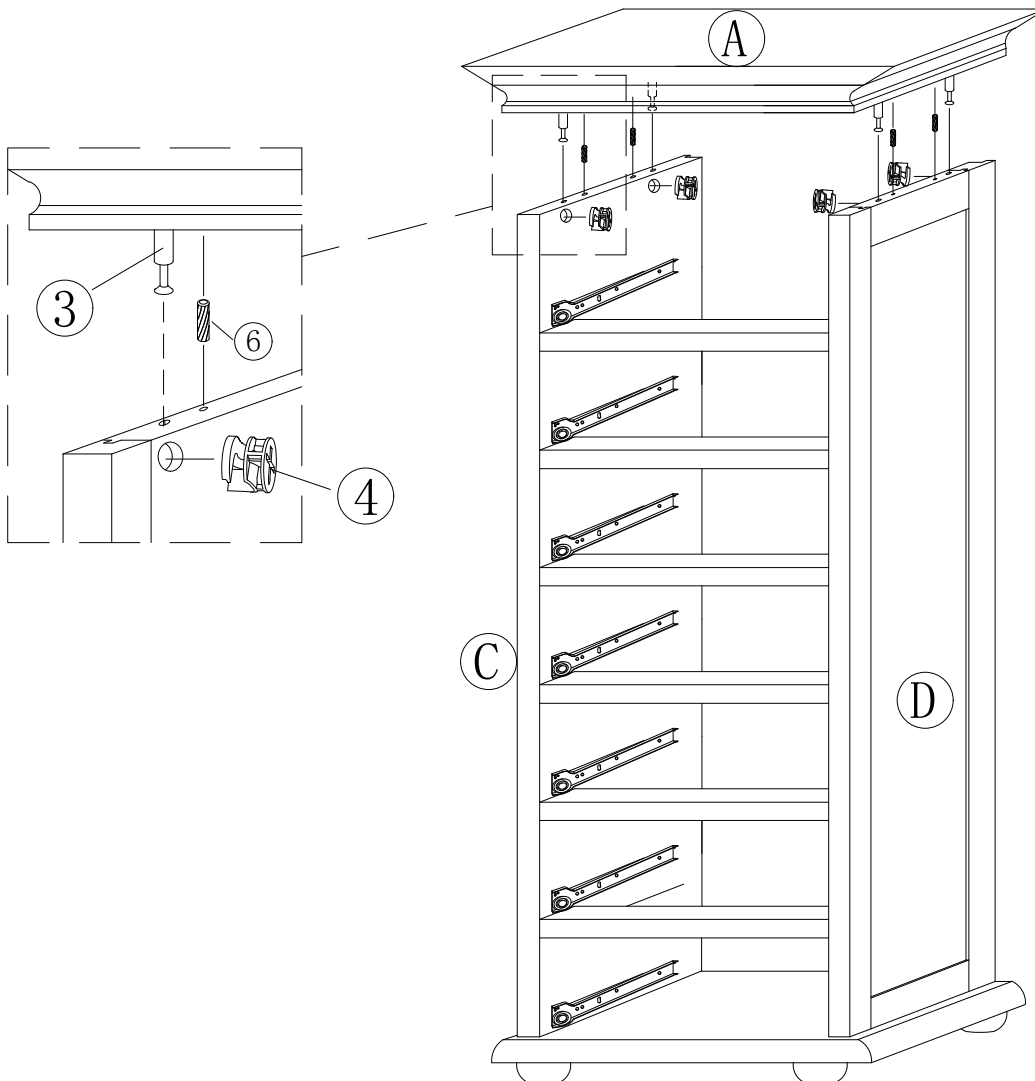
4). ASSEMBLE THE FEET (L).

- ROTATE THE 4 FEET (L) INTO THE HOLES IN THE BOTTOM PANEL (B).



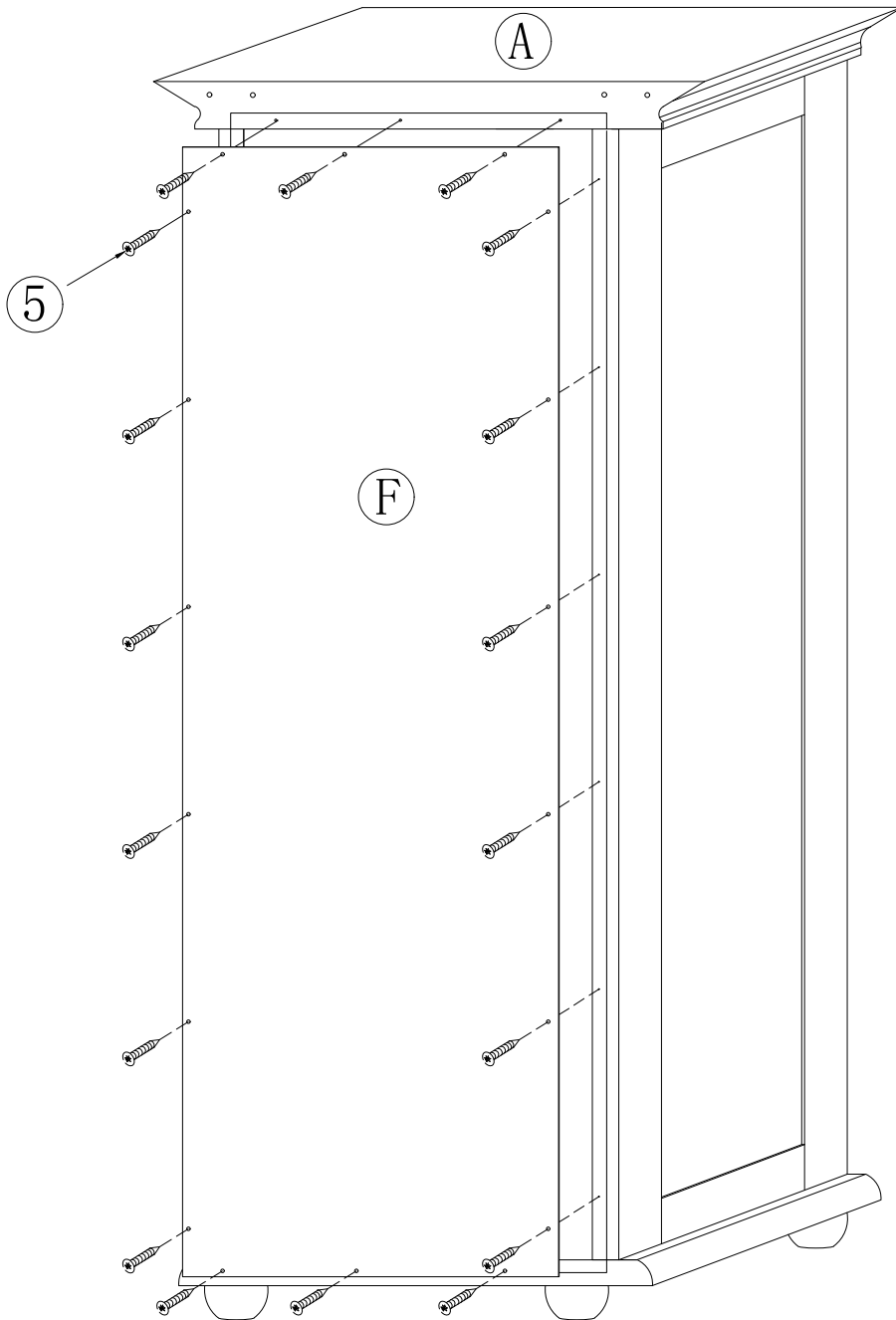
5). ASSEMBLE THE CAM-BOLTS.

- ROTATE 4 CAM-BOLTS(3) INTO THE HOLES IN THE TOP PANEL (A).



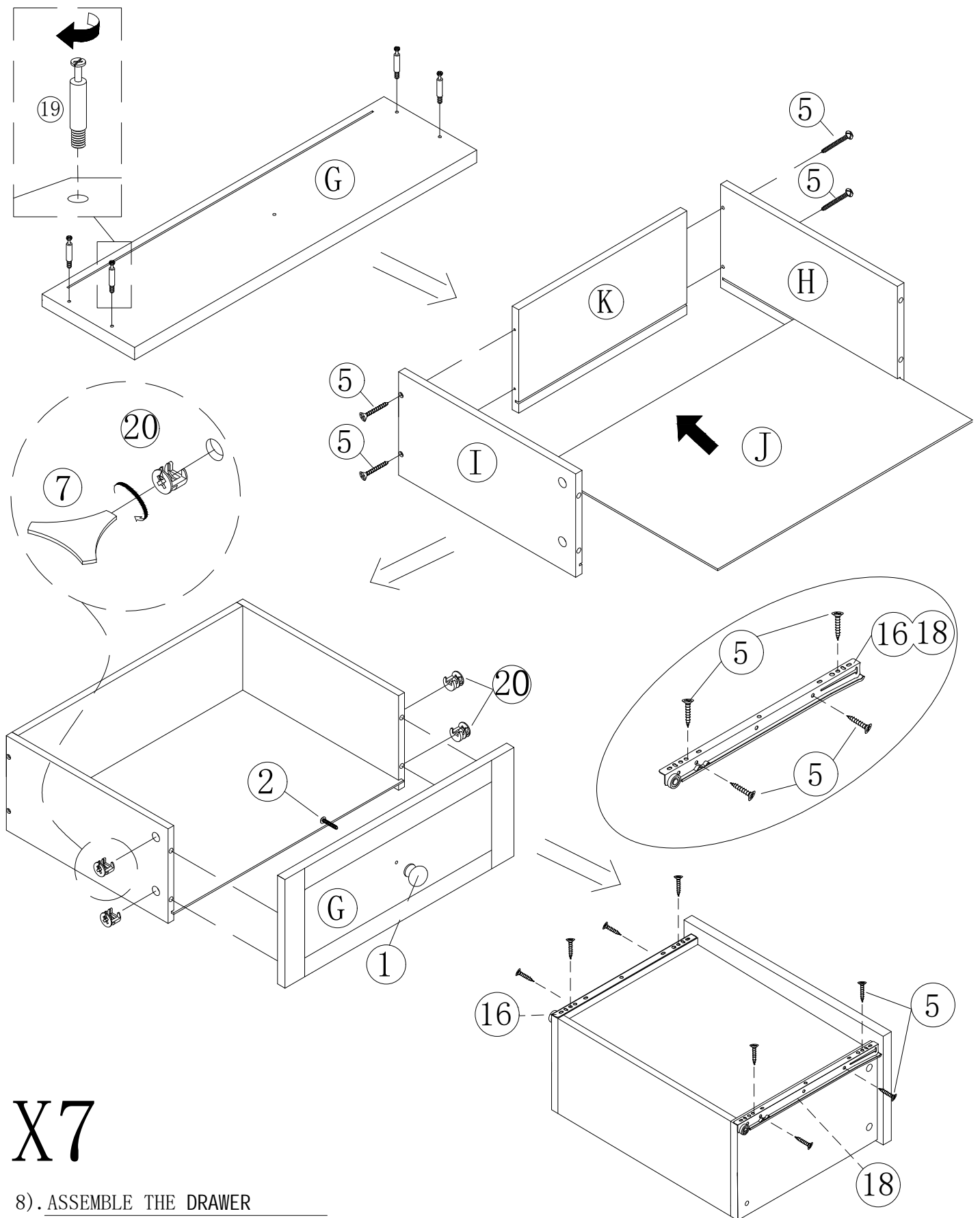
6). ASSEMBLE THE TOP PANEL (A).

- PLACE THE CAM-BOLTS(3) INTO THE HOLES IN THE PANEL (C/D) AND ATTACH USING 4 CAM-LOCKS(4).



7). ASSEMBLE THE BACK PANEL (F)

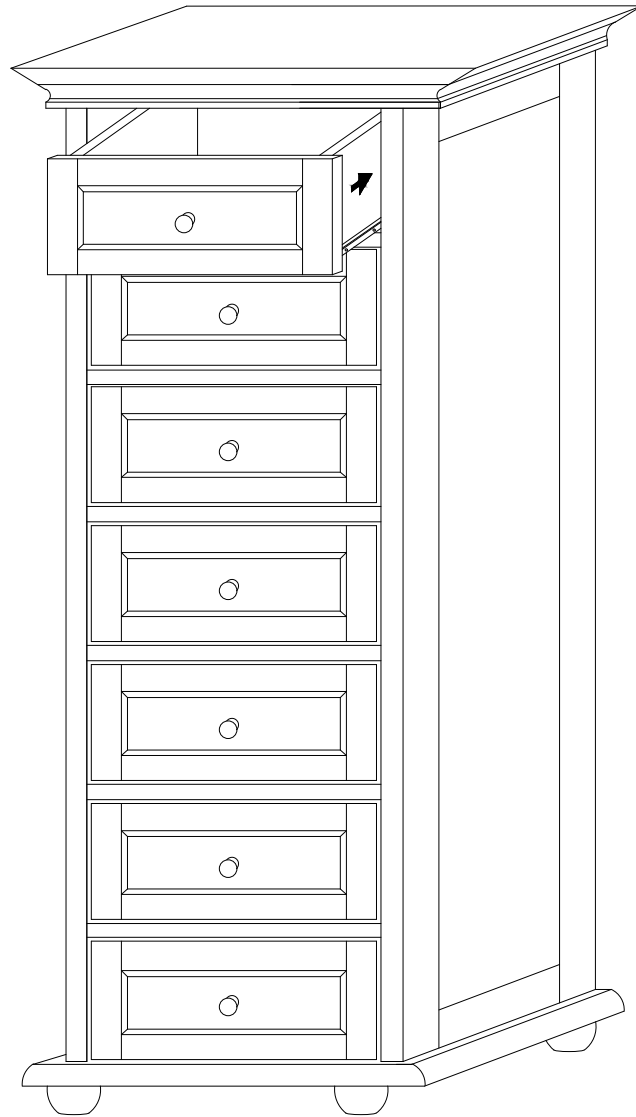
- ATTACH THE BACK PANEL (F) USING 18 SCREWS (5).



# X7

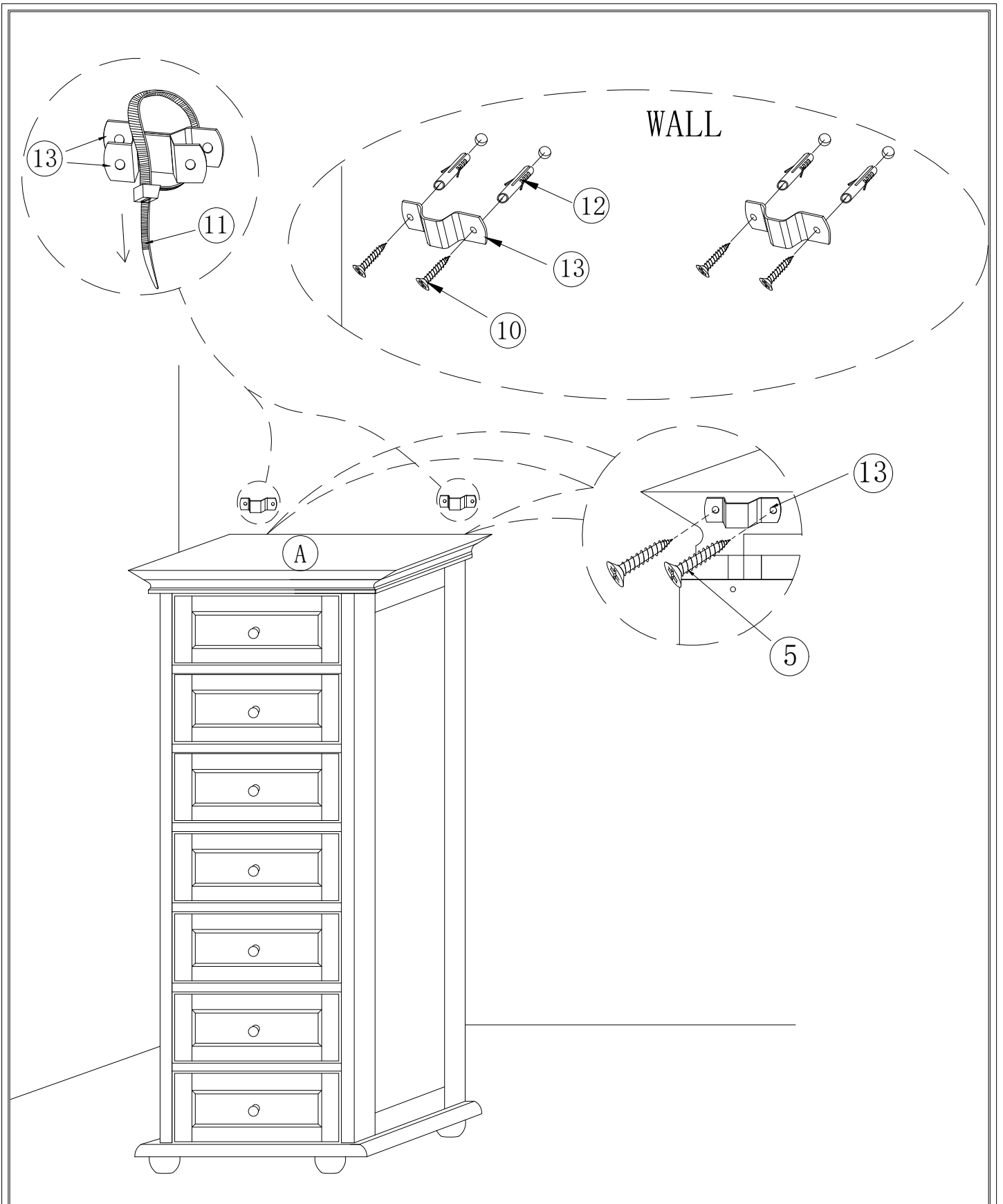
## 8). ASSEMBLE THE DRAWER

- ROTATE 28 CAM-BOLTS-SMALL(19) INTO THE HOLES IN THE 7 DRAWER FRONT PANEL(G).
- ATTACH THE DRAWER BACK (K) AND DRAWER LEFT/RIGHT USING 28 SCREWS(5).
- PLACE THE CAM-BOLTS (20) INTO THE HOLES IN THE DRAWER FRONT PANEL(G) AND ATTACH USING 28 CAM-LOCKS(20).
- PLACE THE SLIDING(16), (18) INTO THE HOLES IN THE DRAWER SIDE PANEL(I), (H) AND USING 28 SCREWS(5).



9). ATTACH THE DRAWERS.

- SLIDE THE DRAWERS INTO THE SLIDERS-OUTS.



10). ASSEMBLE THE ANTI-TIP HARDWARE.

- ATTACH 2 HOOKS(13) USING 4 SCREWS(5) IN THE PREDRILLED HOLES OF REAR TOP PANEL(A)
- DRILL 4 HOLES INTO THE WALL, PLEASE REFER TO THE REAR TOP PANEL'S HOLE DISTANCE AND HEIGHT.
- PUT 4 GECKOS(12) INTO THE HOLES IN THE WALL, AND ROTATE 4 SCREWS(10) INTO THE GECKOS(12).
- CONNECT THE TWO HOOKS(13) WITH A PLASTIC BELT(11).