





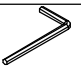


FULL/QUEEN/E.KING STORAGE BED ASSEMBLY INSTRUCTIONS

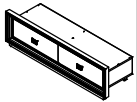
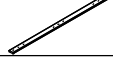

BOX 1 - HEADBOARD

PART NO.	IMAGE	DESCRIPTION	QUANTITY
A		HEADBOARD	1
B		LEFT HEADBOARD LEG	1
C		RIGHT HEADBOARD LEG	1



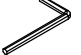
HARDWARE KIT PACKED IN BOX 1

1		ALLEN BOLT (6X35mm)	8
2		SPRING WASHER (M6)	8
3		FLAT WASHER (M6)	8
4		ALLEN KEY	1

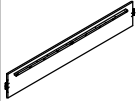
BOX 2 - STORAGE FOOTBOARD

PART NO.	IMAGE	DESCRIPTION	QUANTITY
D		STORAGE FOOTBOARD	1
E		CENTER SLAT	1
F		LEG SUPPORT	3

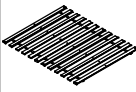
HARDWARE KIT PACKED IN BOX 2

5		WOOD SCREW (8X30mm)	9
6		ALLEN BOLT (6X40mm)	10
7		ALLEN KEY	1

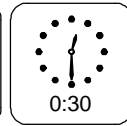
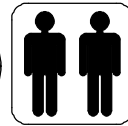
BOX 3 - SIDERAILS

PART NO.	IMAGE	DESCRIPTION	QUANTITY
G		SIDERAIL	2

BOX 4 - SLAT ROLL

PART NO.	IMAGE	DESCRIPTION	QUANTITY
H		SLAT ROLL	1

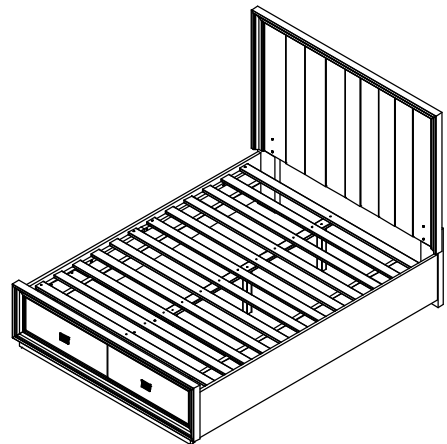
YOUR BOX MAY CONTAIN
EXTRA HARDWARE



NOT PROVIDED

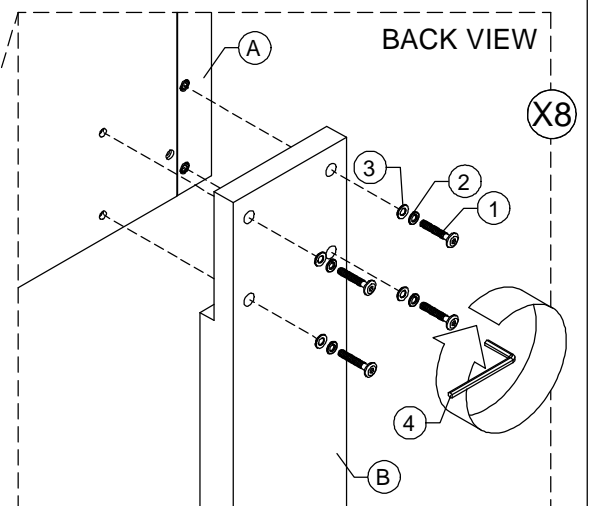
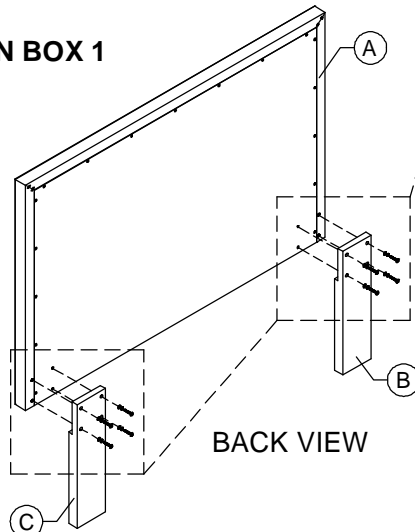
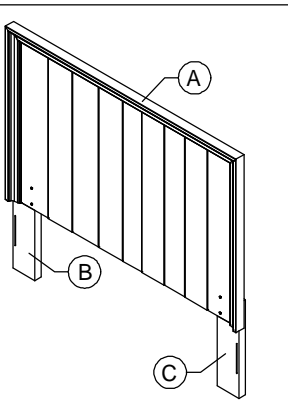
ASSEMBLE ON A SOFT SURFACE

FULLY ASSEMBLED



STEP 1 :

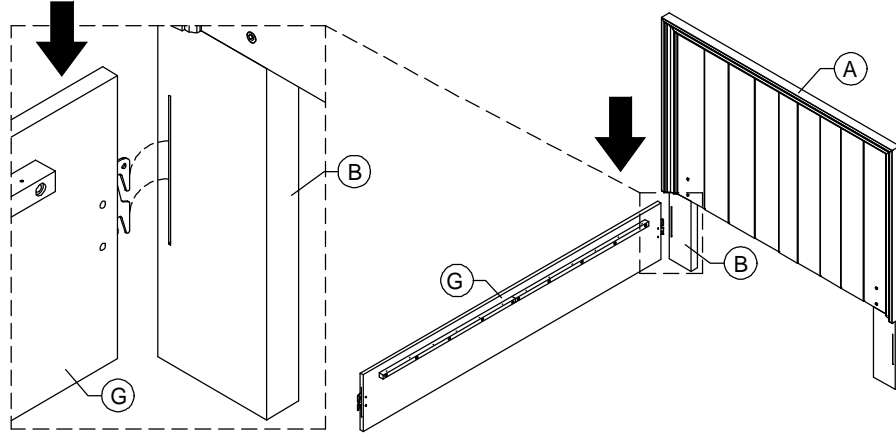
USE HARDWARE KIT PACKED IN BOX 1 FOR STEP 1.



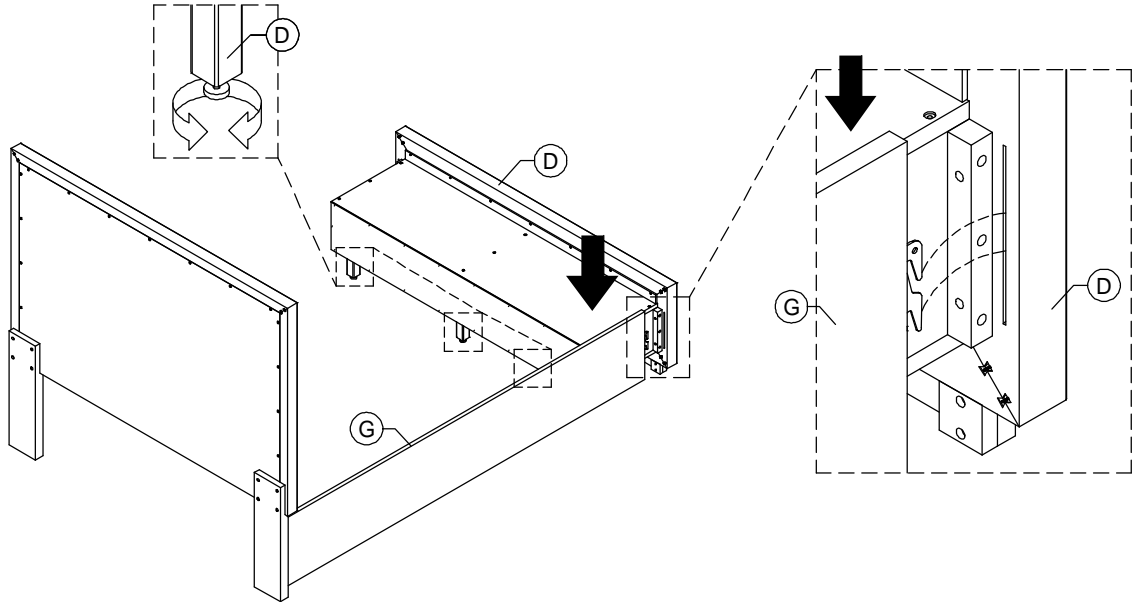
FULL/QUEEN/E.KING STORAGE BED ASSEMBLY INSTRUCTIONS

STEP 2 :

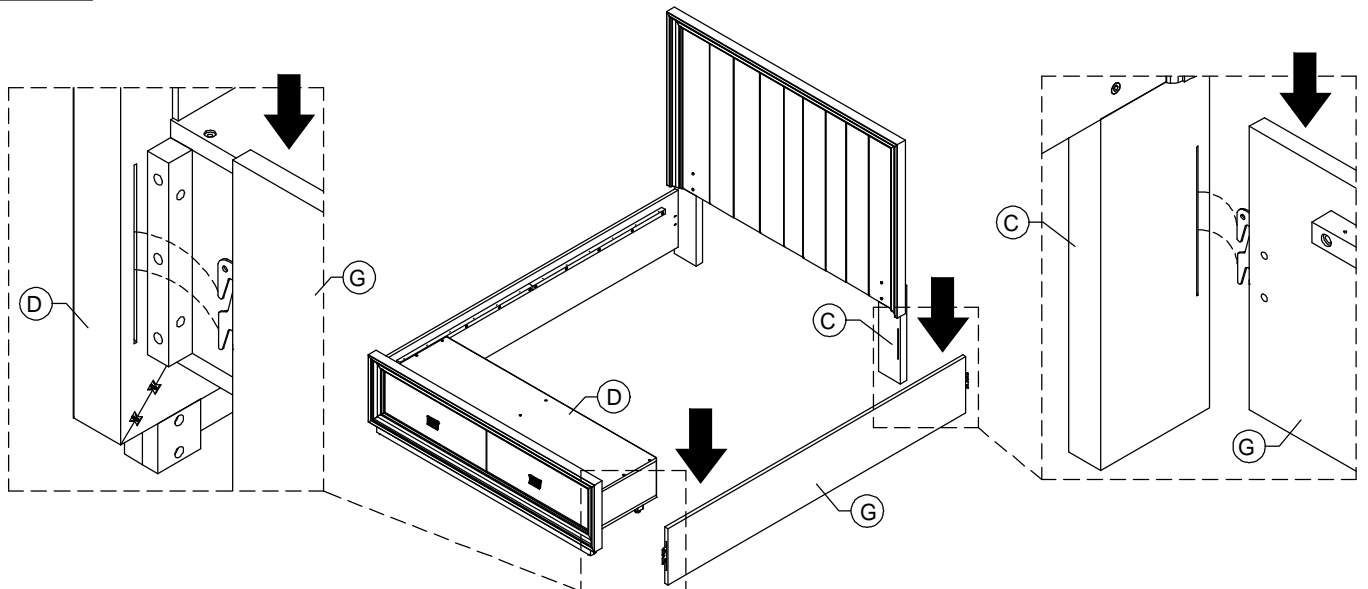
USE HARDWARE KIT PACKED IN BOX 2 FOR STEP 2 AND ALL REMAINING STEPS.



STEP 3 :

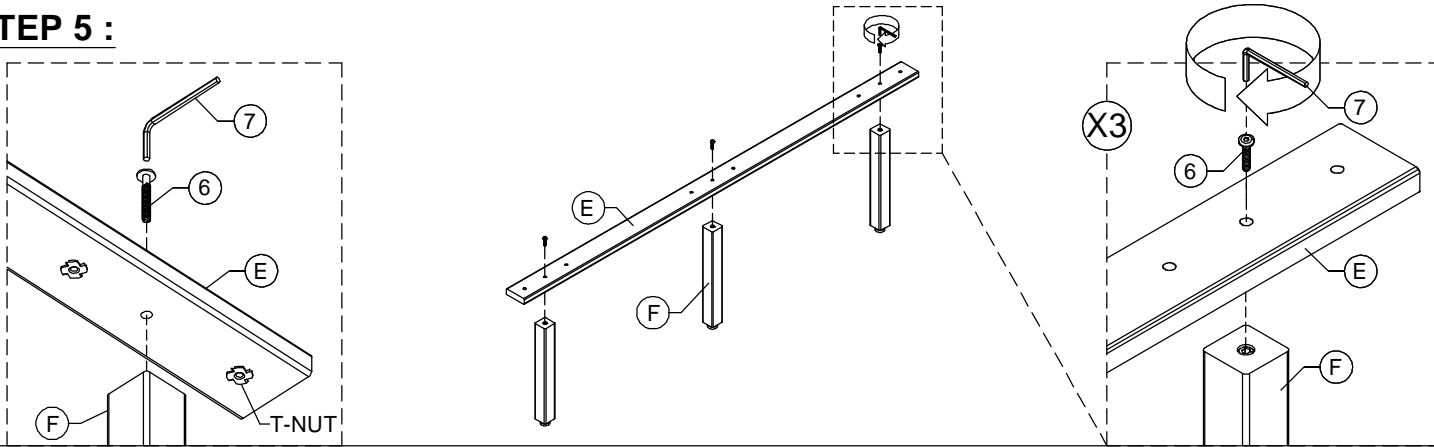


STEP 4 :

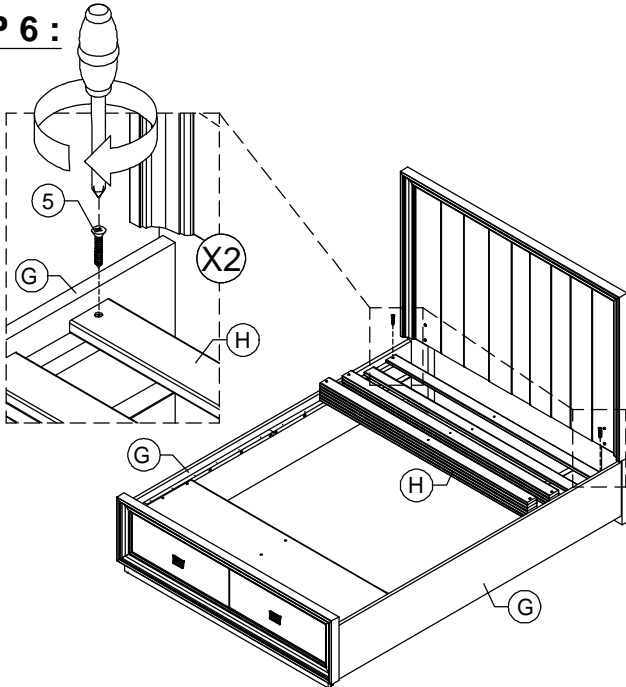


FULL/QUEEN/E.KING STORAGE BED ASSEMBLY INSTRUCTIONS

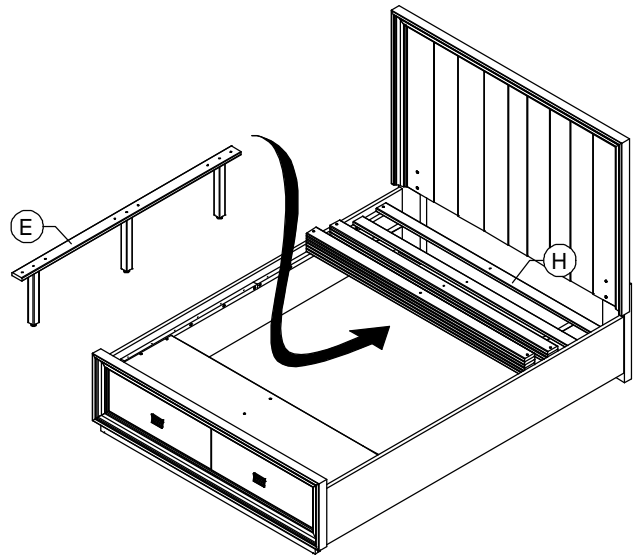
STEP 5 :



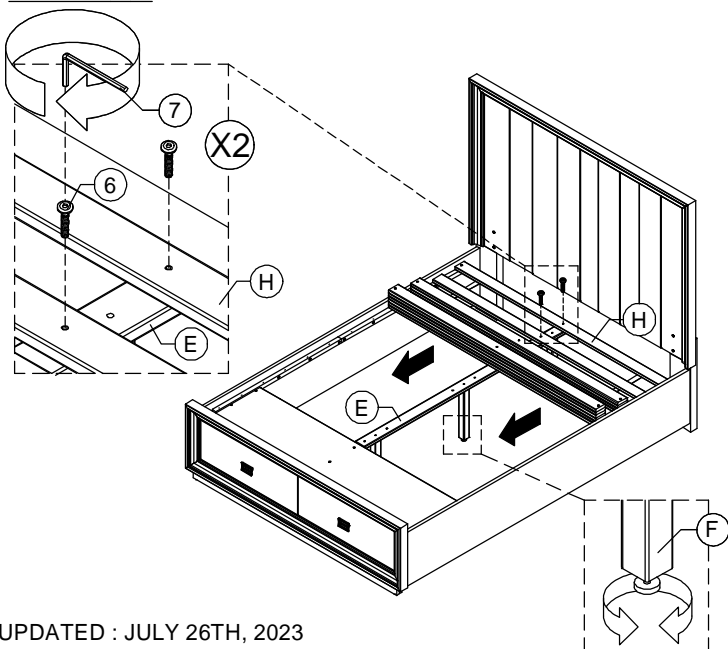
STEP 6 :



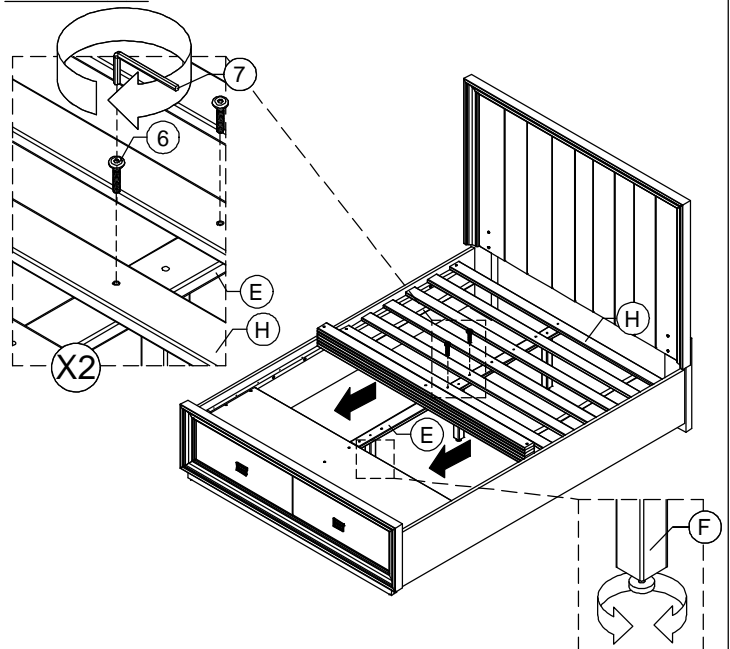
STEP 7 :



STEP 8 :

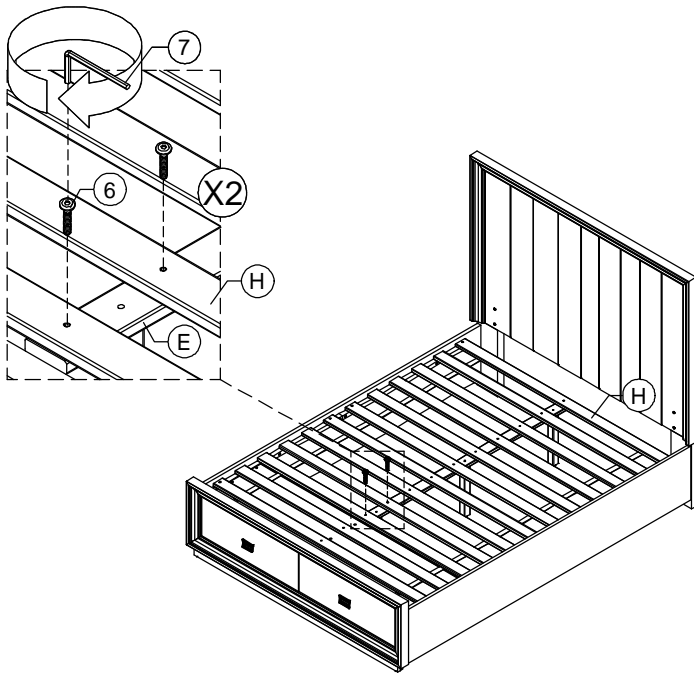


STEP 9 :

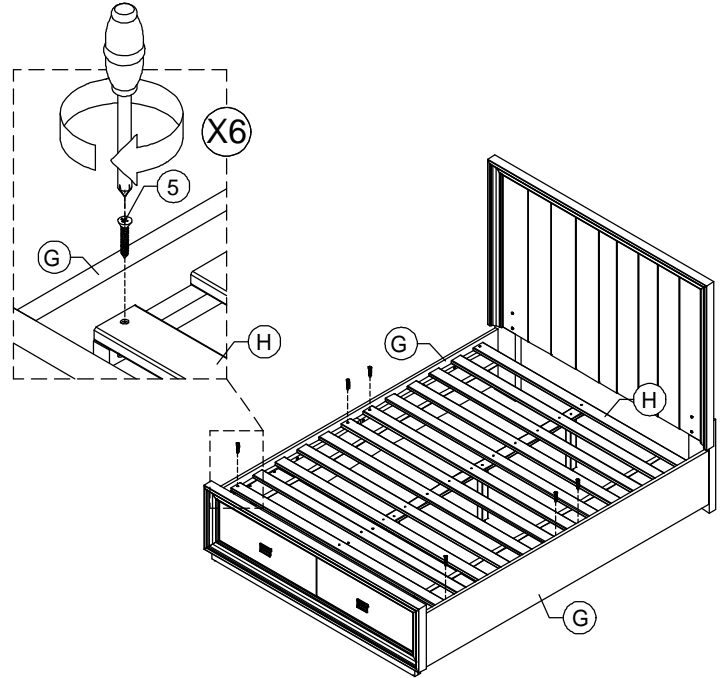


FULL/QUEEN/E.KING STORAGE BED ASSEMBLY INSTRUCTIONS

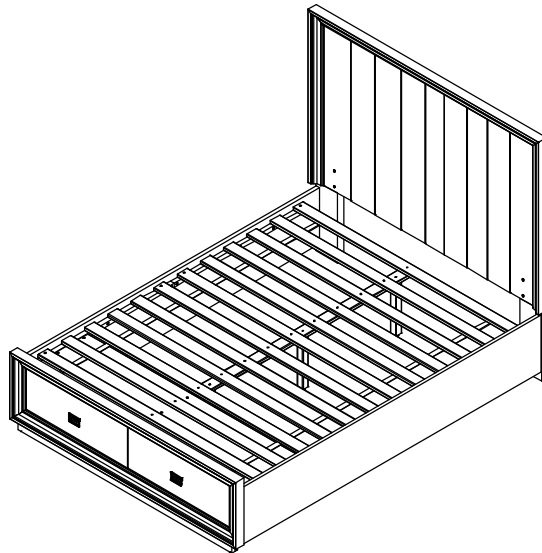
STEP 10 :



STEP 11 :



STEP 12 :



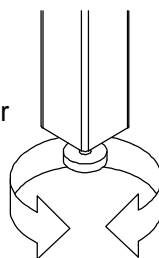
ASSEMBLY COMPLETE

INSTRUCTIONS FOR ADJUSTING LEVELER :

Position the bed in your space and locate the leveler under each leg support (F).

Turn the leveler counter-clockwise to extend the leveler and clockwise to retract it.

Adjust each leveler until each leg support is applying equal, upward pressure on the center slat.



MAINTENANCE INSTRUCTIONS :

- Periodically check all fittings and tighten if necessary, as they can loosen over time.
- Always remove box spring and mattress before moving the bed.
- Lift the bed when moving it. Dragging the bed can damage the center support.
- Readjust levelers after moving the bed.