

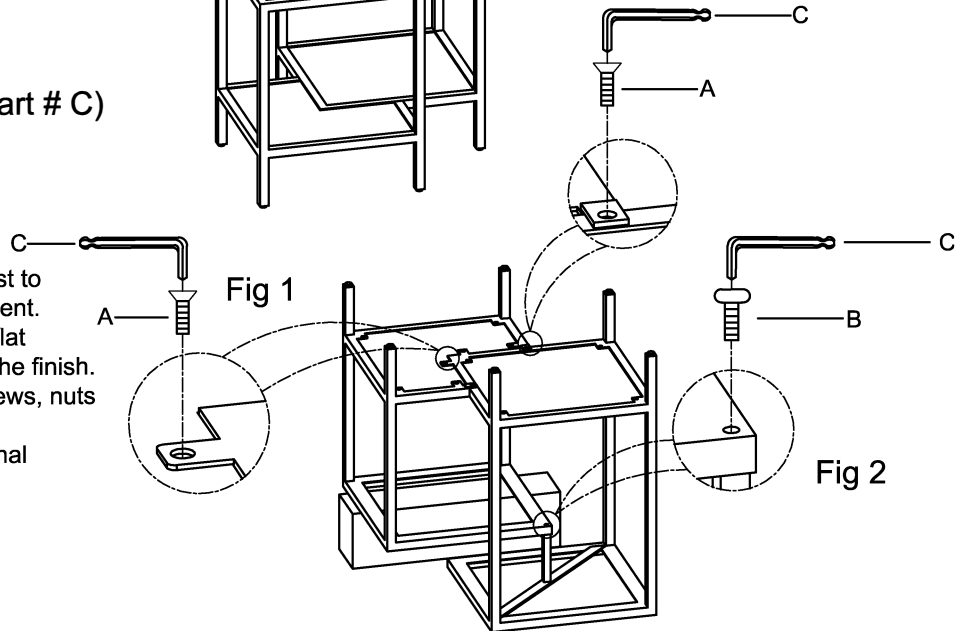
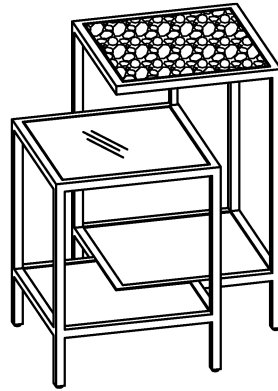
ASSEMBLY INSTRUCTIONS

TOOLS REQUIRED:

Allen wrench (Provided, part # C)

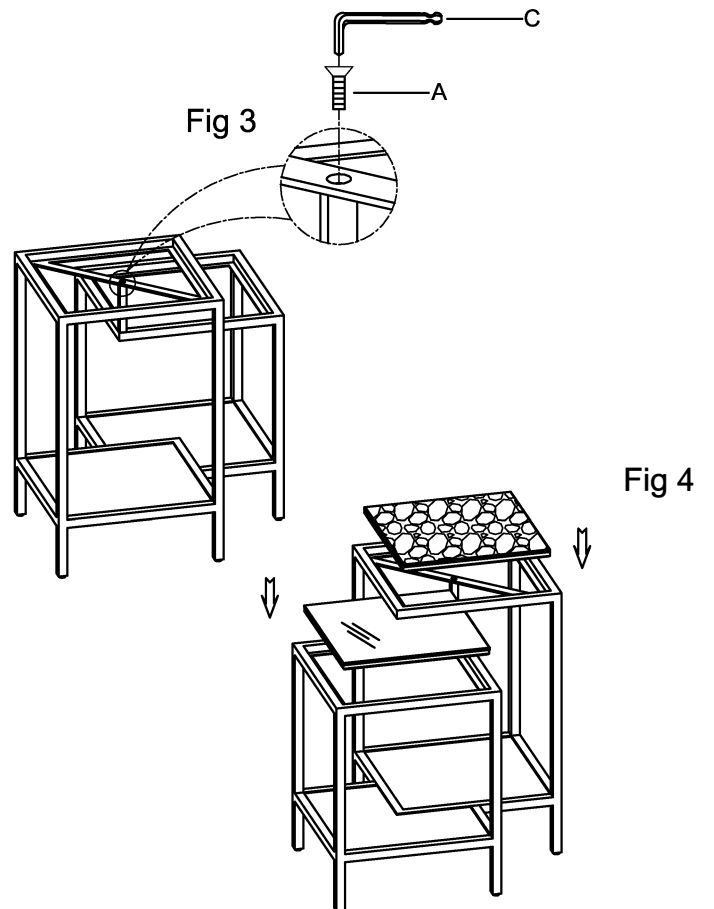
BEFORE YOU START:




1. Check the parts against the parts list to make sure all items are present.
2. Assemble your furniture on a soft, flat surface to avoid scratching the finish.
3. **CAUTION:** Do not over tighten screws, nuts or bolts during assembly.
4. Your furniture may require occasional tightening.



INSTRUCTIONS:

1. Turn the metal frame upside down on a clean soft surface.
2. Attach the higher frame to the lower frame using Bolts (A) with the Allen wrench (C) as shown Fig 1.
3. Attached the post to the higher frame and connect with lower frame using Bolts (B) with the Allen wrench (C) as shown Fig 2 and using Bolts (A) with the Allen wrench (C) as shown Fig 3.
4. Set the marble and the antique mirror on the highest top frame or lower top frame, they are interchangeable as shown Fig 4.



No.	Hardware List		Q'ty
A		Bolt (Ø1/4"*1/2")	5pcs
B		Bolt (Ø1/4"*1-1/2")	1pc
C		Allen Wrench 4mm	1pc