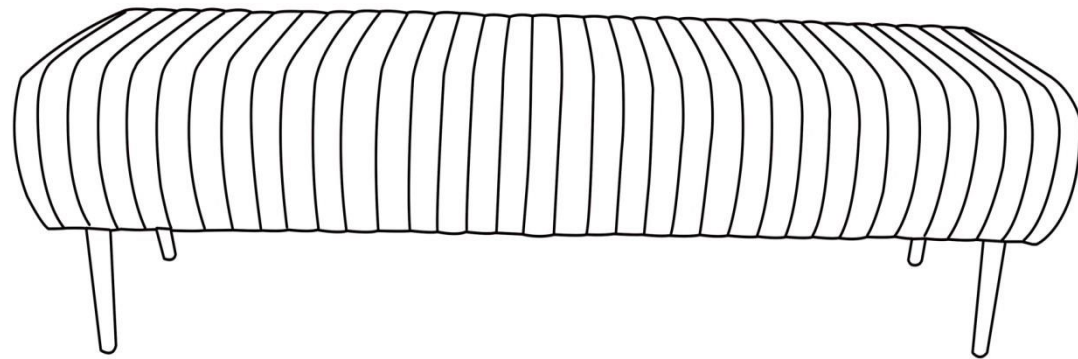





ASSEMBLY INSTRUCTIONS.

ENDORA BENCH CAPPUCCINO



THANK YOU FOR YOUR PURCHASE!

PARTS AND HARDWARE.			STEP 1.
Image	Description	QTY	
	Legs	4 Pcs	
 6*20mm	Allan Screw	16 Pcs	
 4mm	Allan Key	1 Pc	
<p>NOTES.</p> <p>Be Sure to check all packing material carefully for small part that may have come loose inside the carton during shipping.</p> <p>CAUTION: Assemble the product on a padded surface to reduce the risk of scratching to the product or your work surface.</p>			