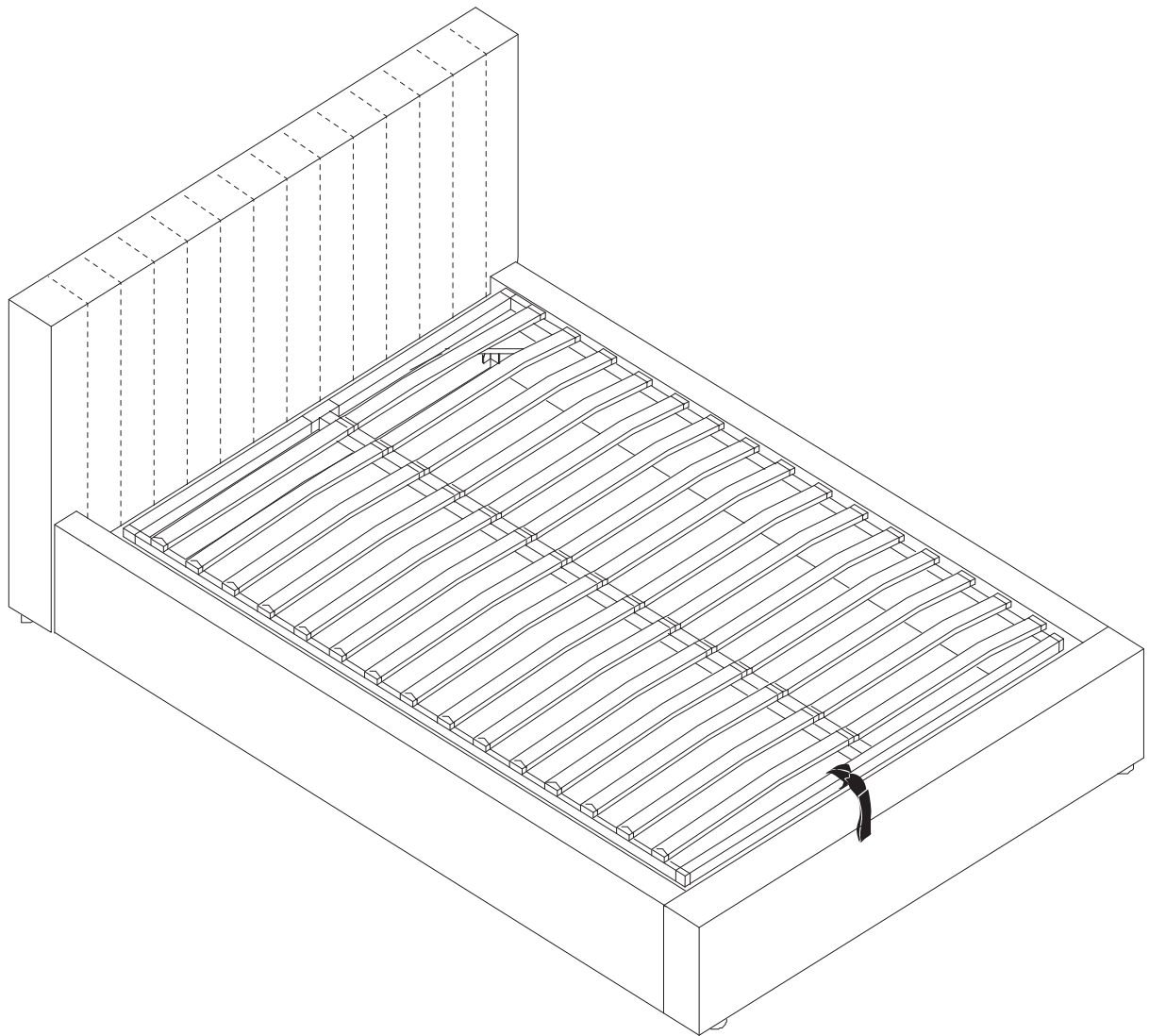


Assembly Instructions

For 4'6 & 5'0



IMPORTANT - READ CAREFULLY - RETAIN THESE INSTRUCTIONS FOR FUTURE REFERENCE

- Due to the size of this product we recommend that it is assembled in the room intended for use.

- When you are ready to start, make sure that you have the right tools, plenty of space and a clean, dry area for assembly.

- Unwrap all packaging materials and place the components on the carton box or on a clean floor to prevent it from scratching.

- Check the pack and make sure you have all the parts listed.

- Ensure that this product is fully assembled and secured as illustrated before use.

- Check all screws or bolts are tightened and inspect regularly.

- Please dismantle for transportation.

- **IF THIS PRODUCT IS GOING TO BE USED ON A WOOD, LAMINATE OR TILED FLOOR, YOU MUST APPLY "ANTI SLIP PADS" TO ALL LEGS TOUCHING THE FLOOR.**

THESE ARE AVAILABLE TO BUY IN MOST HARDWARE SHOPS IN A FELT MATERIAL OR RUBBER AND ARE RELATIVELY INEXPENSIVE. THE PADS WILL PROTECT YOUR FLOOR FROM ANY MARKING AND ALSO FROM SLIPPING.

FAILURE TO APPLY THE PADS WILL RESULT IN NO RETURNS OF THE PRODUCT AND ANY SPARE'S REQUESTED.

WARNINGS

- This product is intended for a maximum person's weight of 125 kg per side. Do not exceed this weight.

- Keep small parts out of reach of children.

- Make sure the legs remain in contact with the ground.

- Do not use power tools to construct this product, only use the tools listed. The use of any power tool will invalidate any future claim.

- Do not tighten screws until fully assembled.

- Do not over tighten screws or bolts.

- Do not use this product if parts are missing, damaged or worn.

- Do not stand on the product.

- Incorrect installation could lead to injury, take care following instructions.

- Ensure children do not play with any part of this bed. Especially the storage area.

- Do not stand on any part of the frame for any reason with or without mattress.

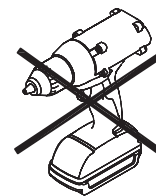
CARE INFORMATION

- Never use scourers, abrasives or chemical cleaners.

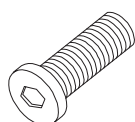
- To clean wipe with a sponge and warm soapy water. Do not use solvent based cleaners or detergents as they can bleach or damage the product.

HOW TO USE BED

- When the bed is fully assembled, lift the frame up using strap provided, to close the frame you will need to place both hands on the metal bar at the foot end of the frame that is in the air (one hand in the center of each of the two rows of slats). The bed will only work if this is done centrally. To close the frame: Apply pressure from above, do not try to close from the side or any other way. Please also note the gas lift arms do not move up and down on their own and only work if the bed is fully assembled and assembled correctly.



A × 12



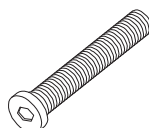
M8×25 mm

B × 12



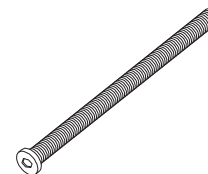
M6×15 mm

C × 6



M6×30 mm

D × 2



M6×65 mm

E × 12



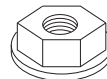
Spring Washer

F × 12



Flat Washer

G × 2



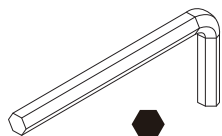
Nut

H × 1



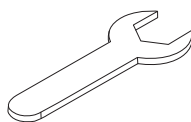
4 mm Allen Key

J × 1



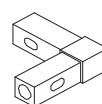
5 mm Allen Key

K × 1



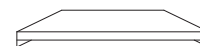
Spanner

L × 4



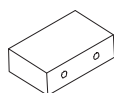
Base Frame
Corner Connector

M × 4



Corner Bracket

N × 1



Holding Block

P × 26 (4'6)
30 (5'0)



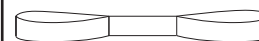
Side Plastic Cap

Q × 13 (4'6)
15 (5'0)

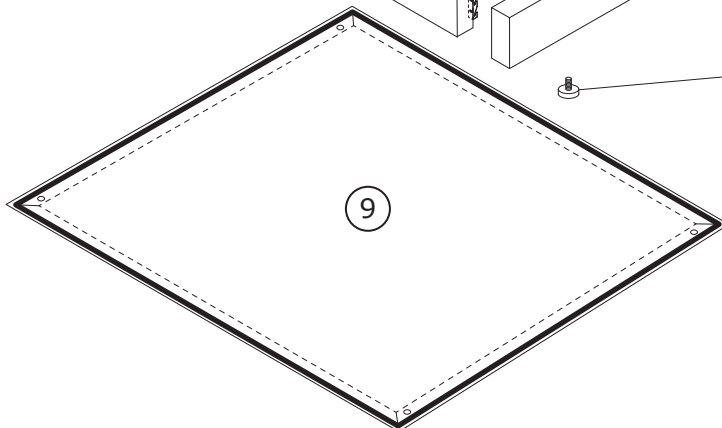
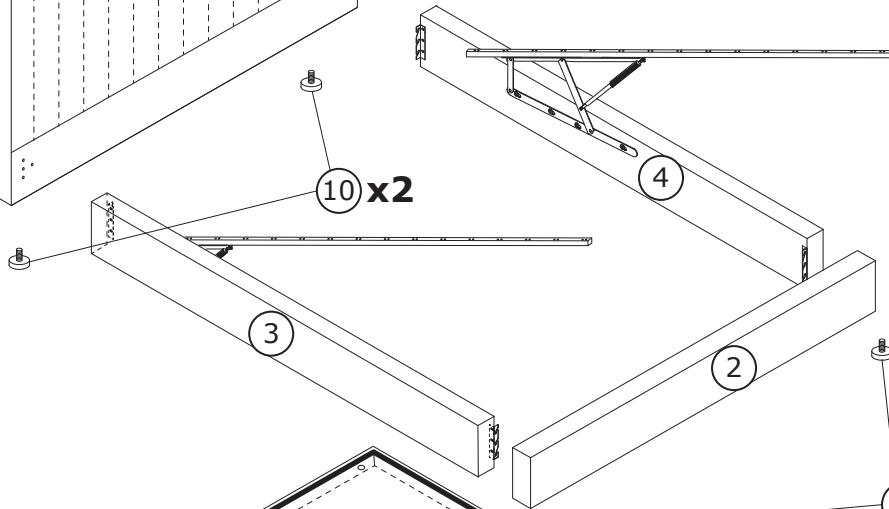
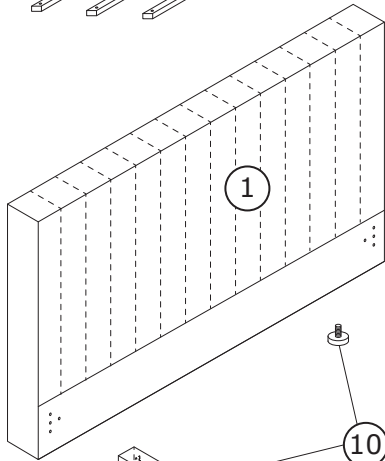
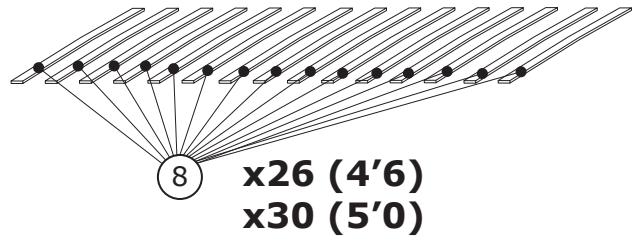
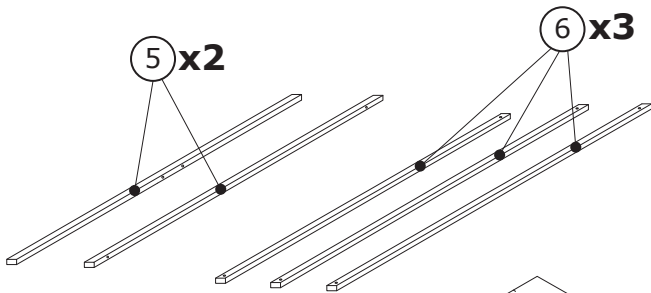
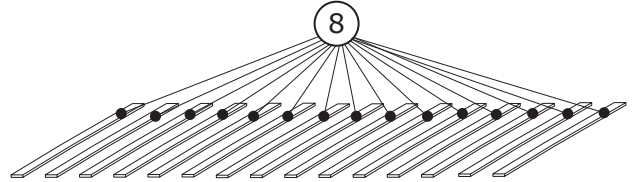
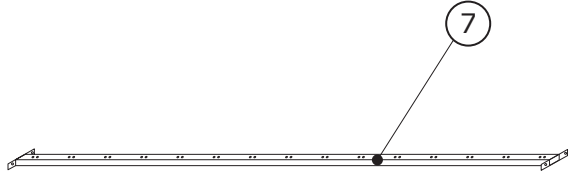


Central Plastic Cap

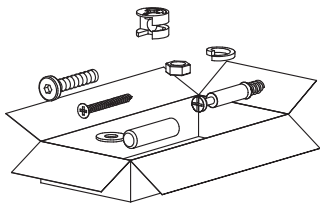
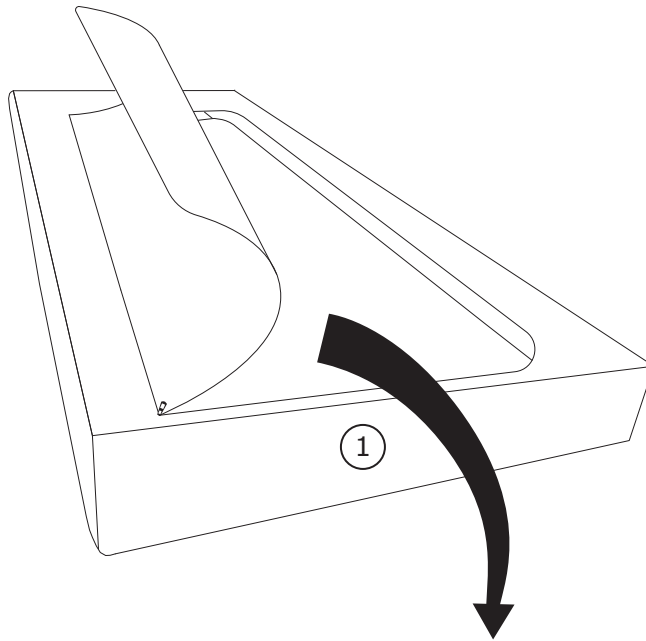
R × 1



Belt











1

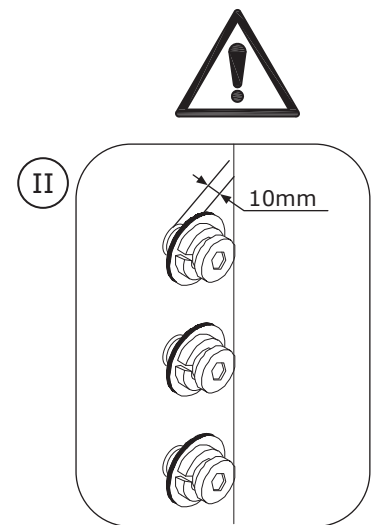
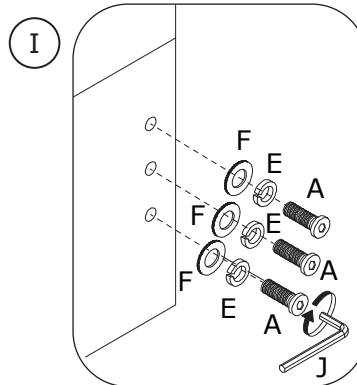
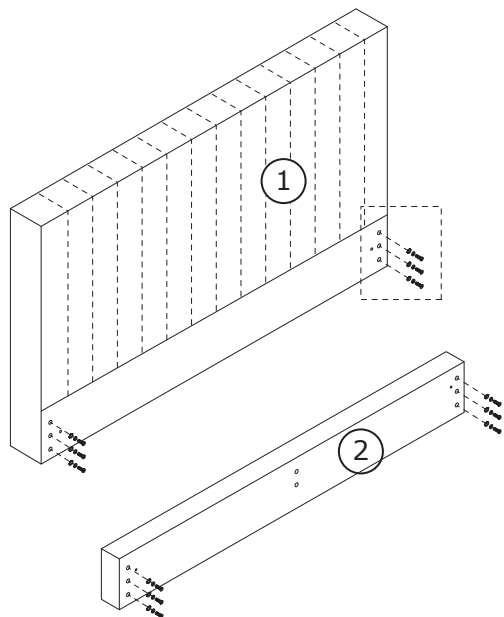


+ 2 + 5 x2 + 6 x3 + 8 x26(4'6) x30(5'0) + 9 + 10 x4

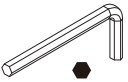
2

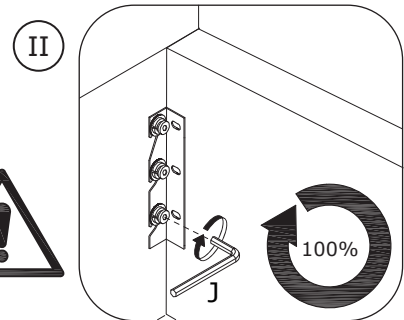
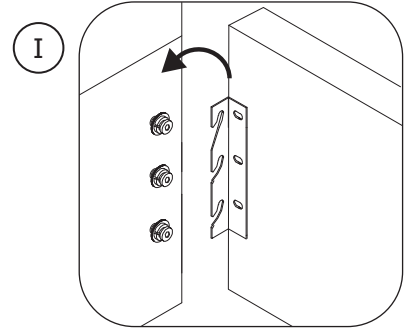
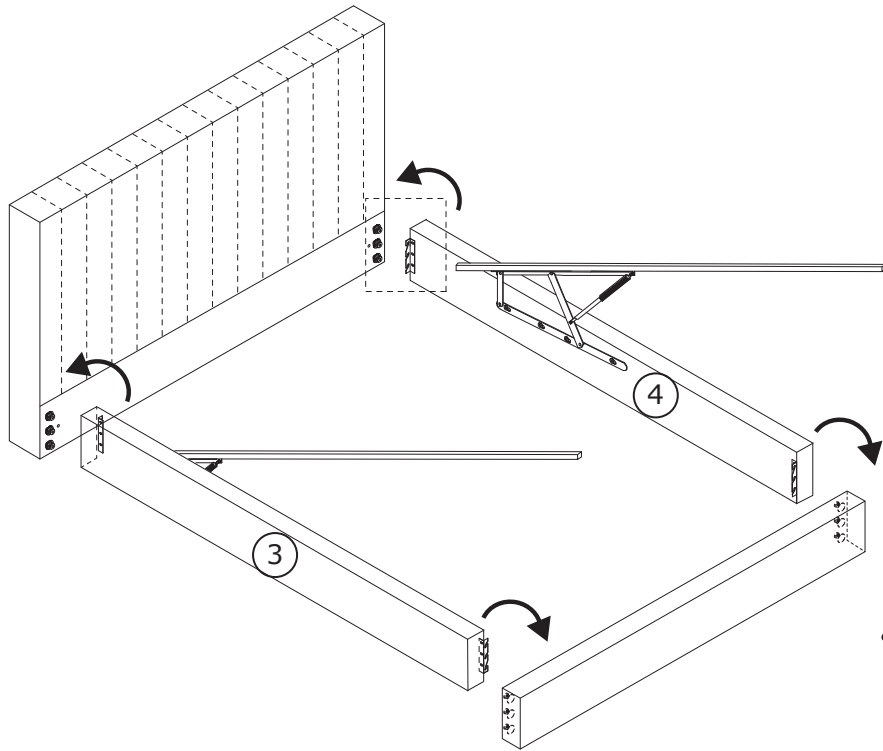
A x 12  M8x25 mm	E x 12  Spring Washer	F x 12  Flat Washer	J x 1  5 mm Allen Key	
---	--	--	--	--

A  M8x25 mm	B  M6x15 mm	C  M6x30 mm	D  M6x65 mm
--	--	--	--


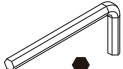
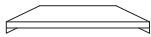






3

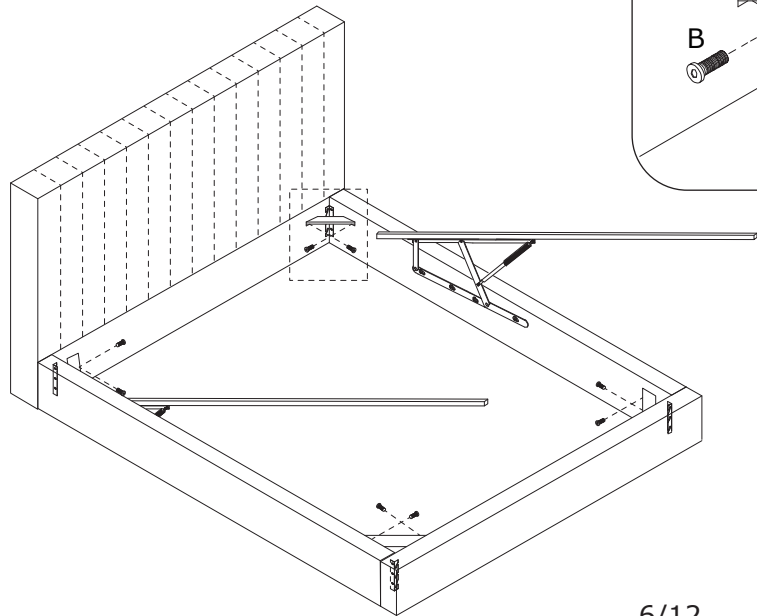
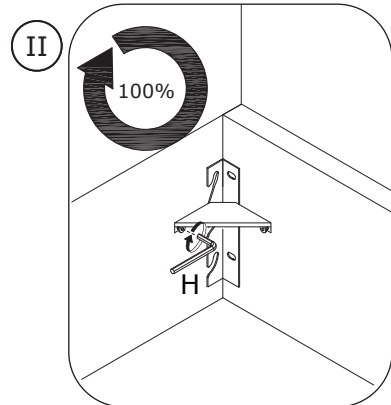
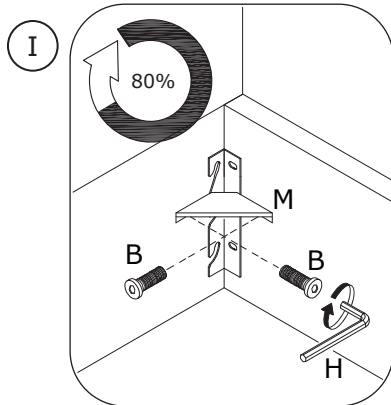
J × 1	
	
5 mm Allen Key	



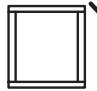


4


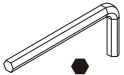
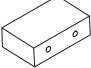
B × 8	H × 1	M × 4	
			
M6×15 mm	4 mm Allen Key	Corner Bracket	





	B	C	D
			
	M6×15 mm	M6×30 mm	M6×65 mm

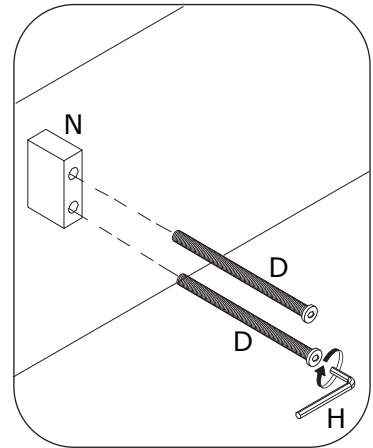
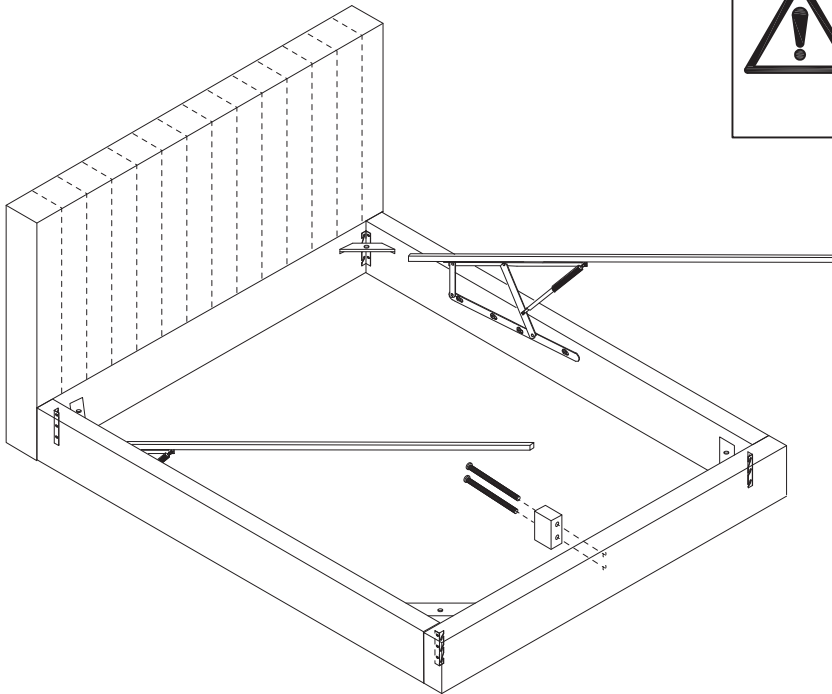


		
---	---	---

5

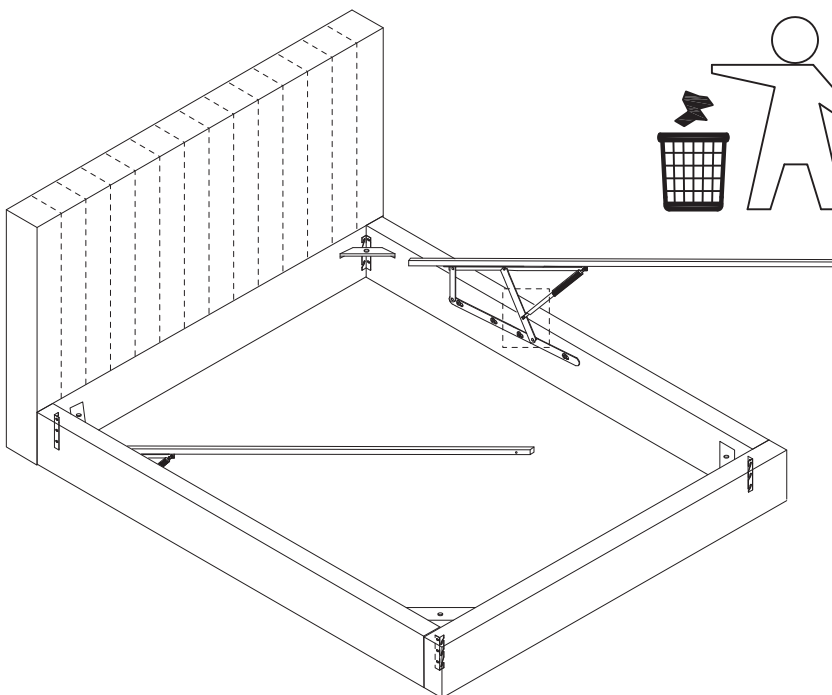
$D \times 2$  M6×65 mm	$H \times 1$  4 mm Allen Key	$N \times 1$  Holding Block	
---	---	--	--

	 M6×15 mm	 M6×30 mm	 M6×65 mm
---	--	--	---

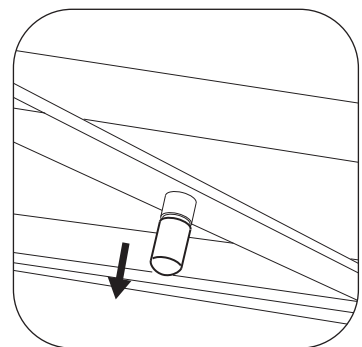


6

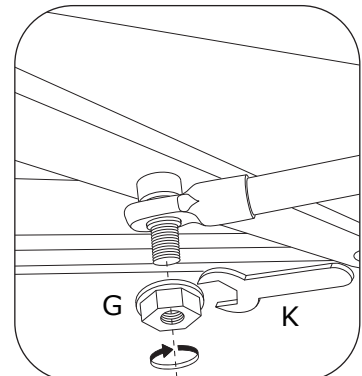
$G \times 2$  Nut	$K \times 1$  Spanner	
--	--	--



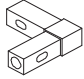
I

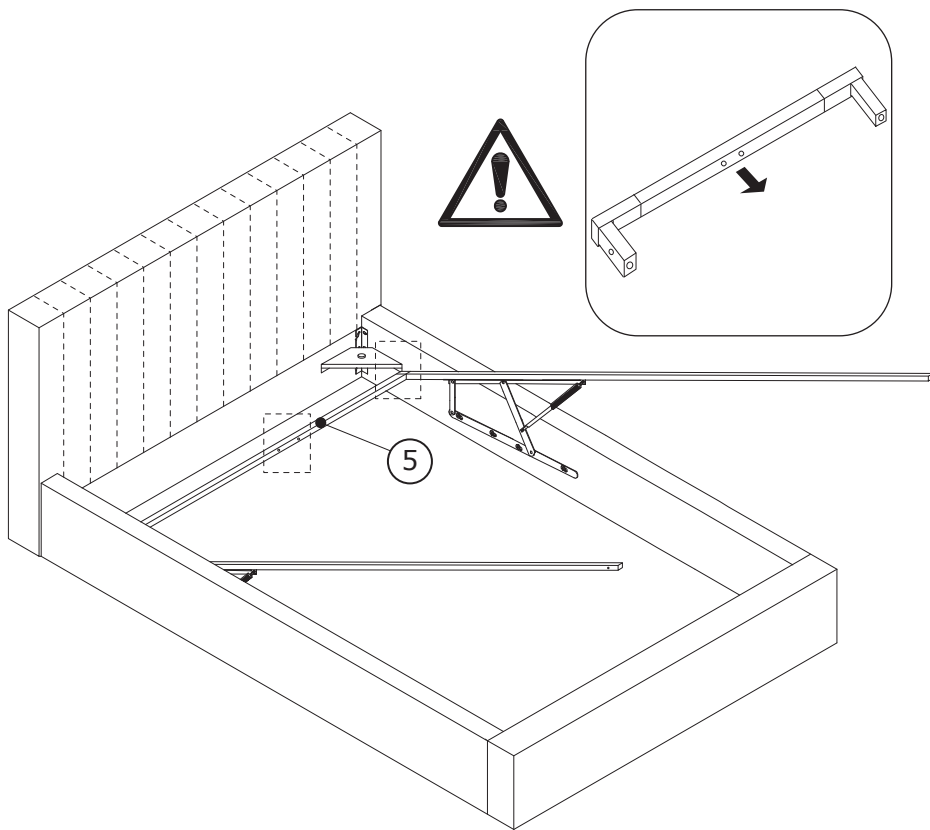


II

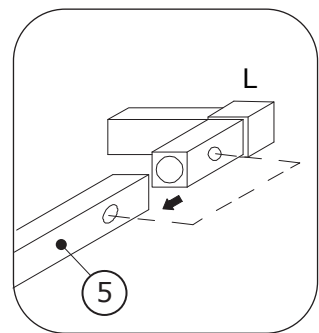


7

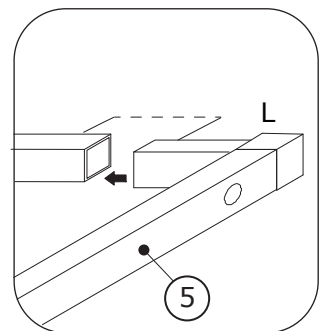
<p>L x 2</p>  <p>Corner Connector</p>	
--	--



I

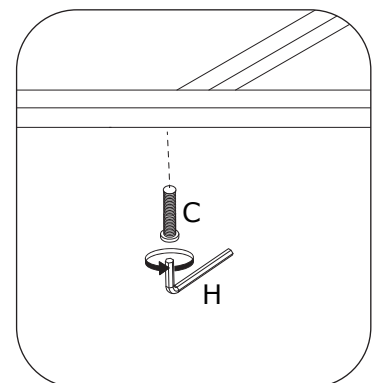
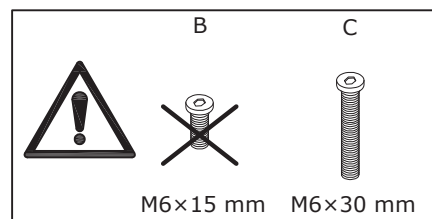
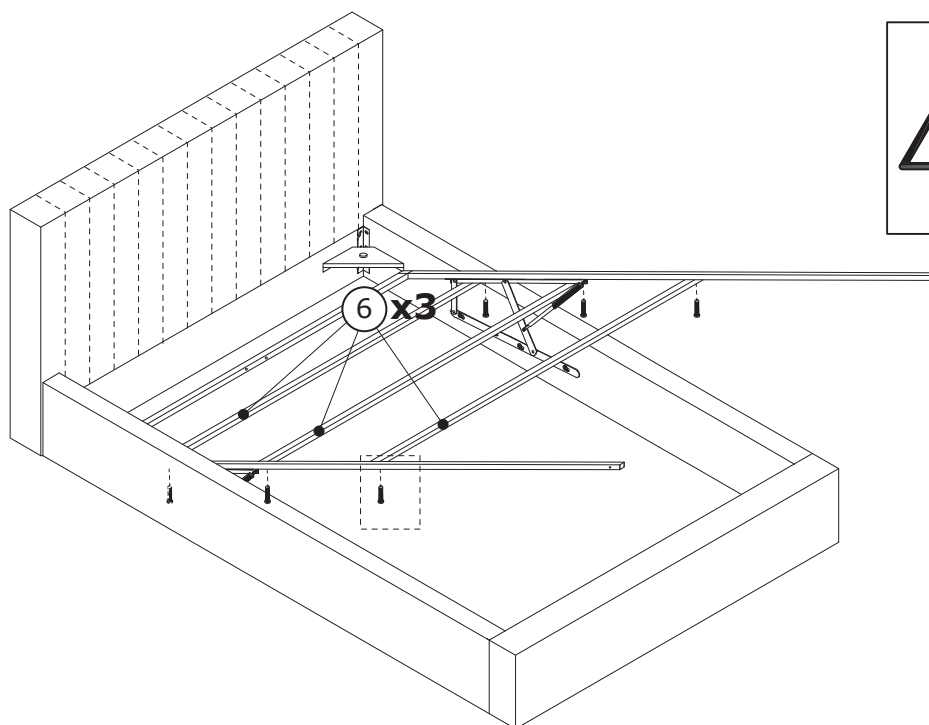


II





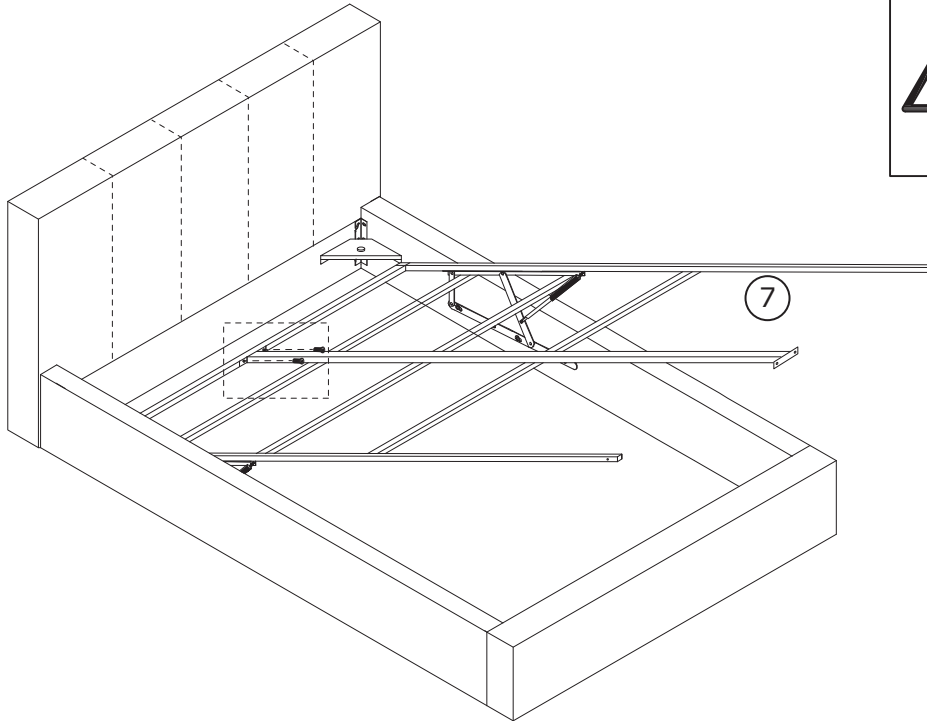
8




<p>C x 6</p>  <p>M6x30 mm</p>	<p>H x 1</p>  <p>4 mm Allen Key</p>	
--	--	--

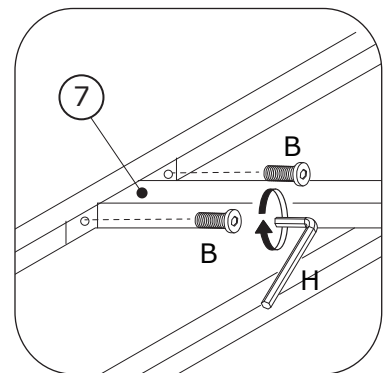


9

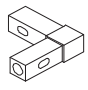
$B \times 2$  M6x15 mm	$H \times 1$  4 mm Allen Key	
---	---	--

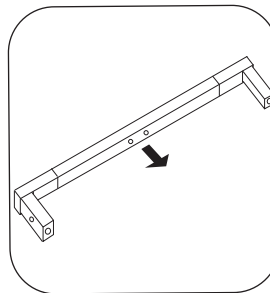
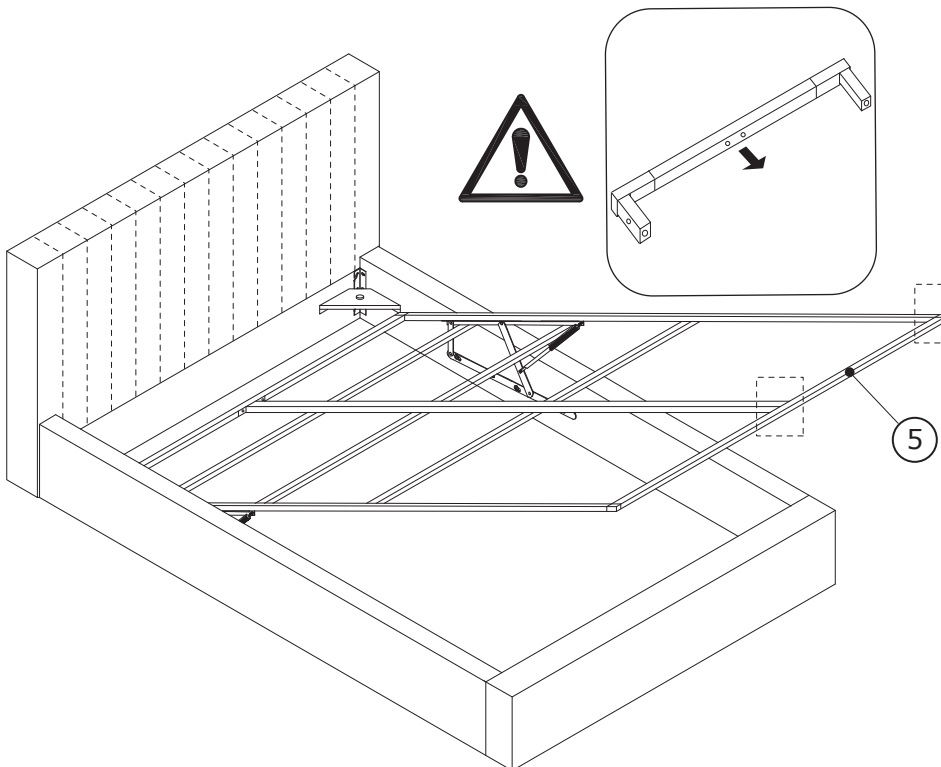


	B  M6x15 mm	C  M6x30 mm
---	--	--

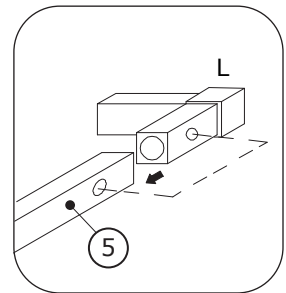


10

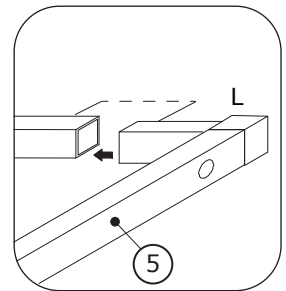
$L \times 2$  Corner Connector	
---	--



I

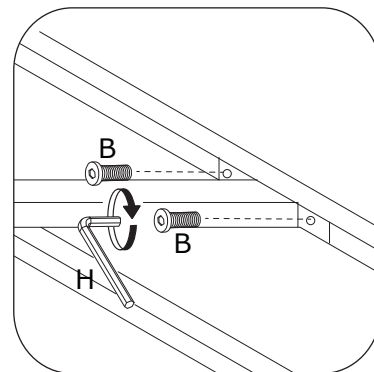
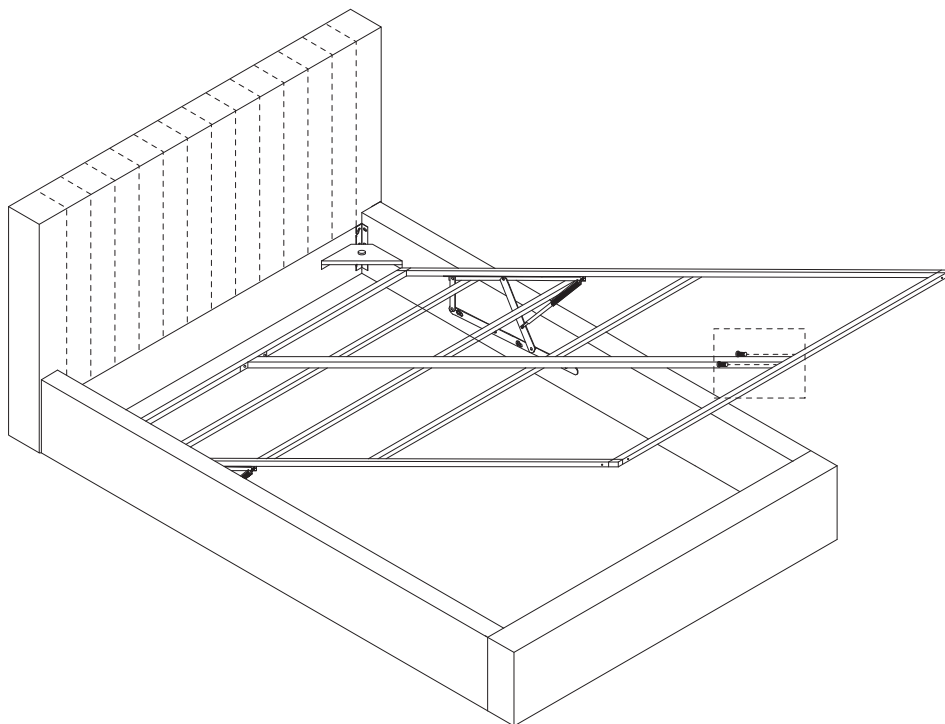


II

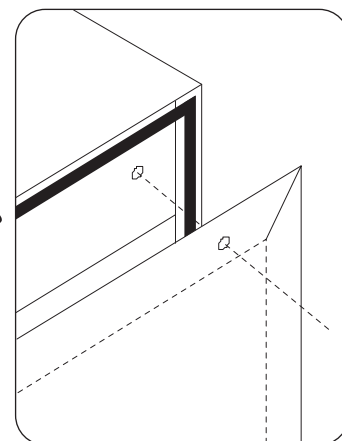
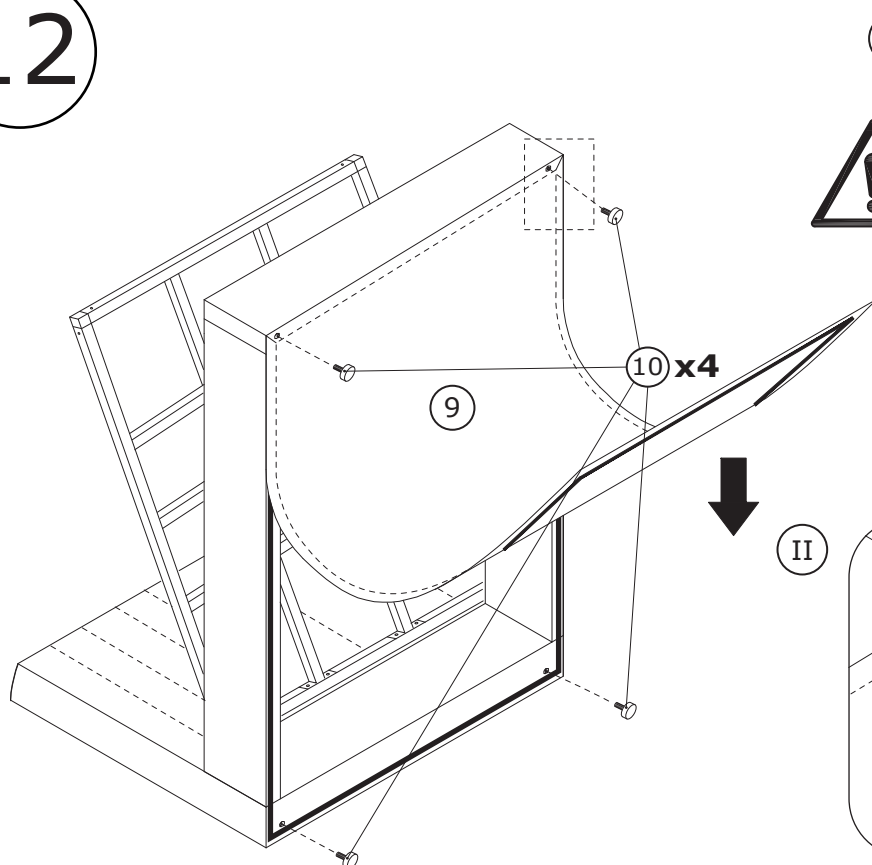


11

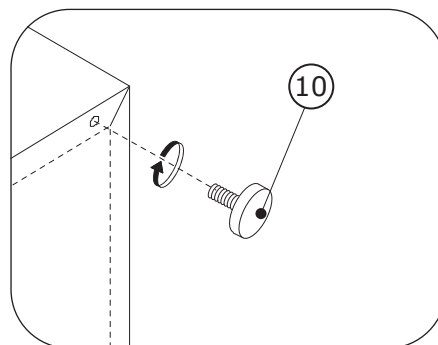
$B \times 2$  M6x15 mm	$H \times 1$  4 mm Allen Key	
---	---	--



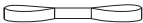
12

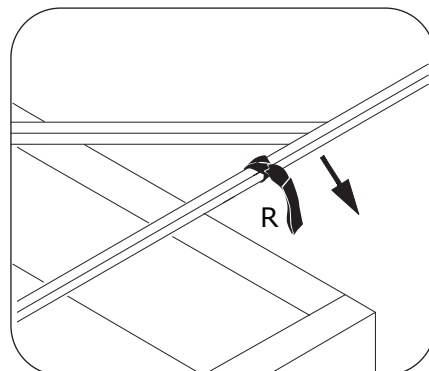
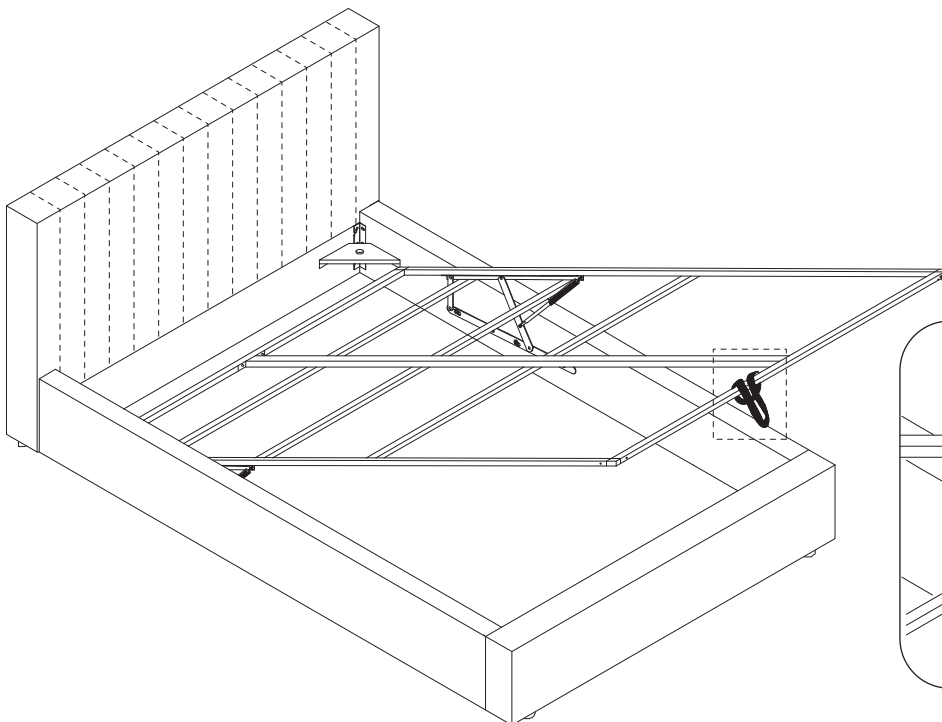


II



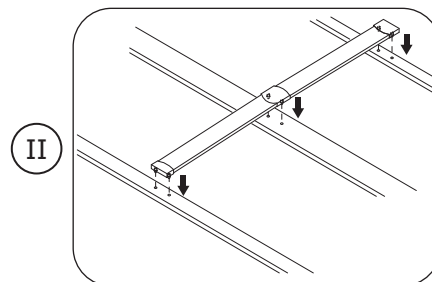
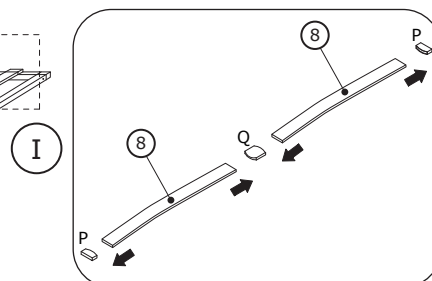
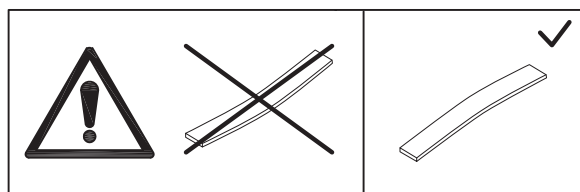
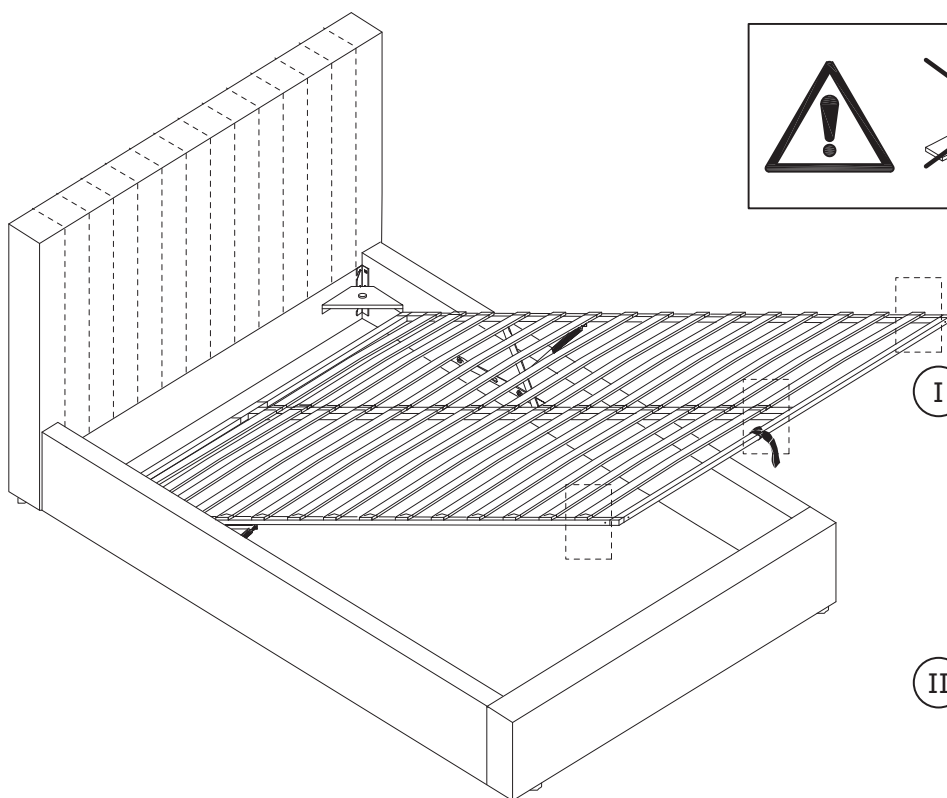
13

R × 1	
	
Belt	



14

P × 26 (4'6) 30 (5'0)	Q × 13 (4'6) 15 (5'0)	
		
Side Plastic Cap	Central Plastic Cap	



15

