

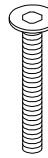
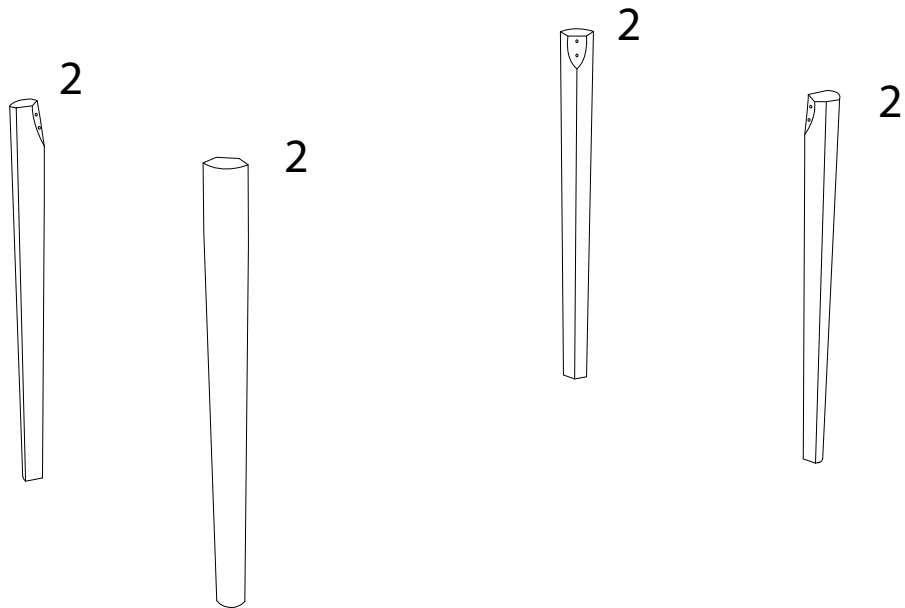
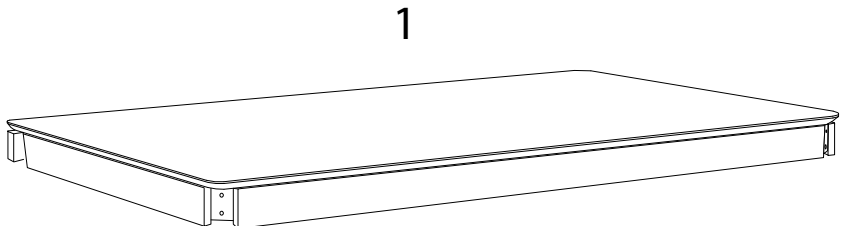
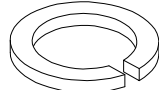
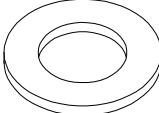
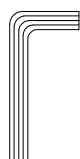


Diagram illustrating assembly instructions and safety warnings:



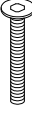



- Top Warning:** A warning triangle with an exclamation mark is connected by a vertical line to a box containing:
  - A circular icon showing an L-shaped metal bracket.
  - An icon of a power drill with a diagonal line through it, indicating that a power drill should not be used.
- Time:** A clock icon is positioned to the right of the top warning box, with the text "20'" below it, indicating a 20-minute assembly time.
- Bottom Warning:** A second warning triangle with an exclamation mark is connected by a vertical line to a box containing:
  - A circular icon showing a rectangular block being placed on a surface with a textured pattern.
  - An icon of a rectangular block with a diagonal line through it, indicating that the block should not be placed on a soft or uneven surface.
- Person Icon:** A stick figure icon representing a person is positioned to the right of the bottom warning box, with the number "1" below it, indicating that one person is required for assembly.

|   |   |   |
|---|---|---|
| <p>1</p>  <p>x 1</p> | <p>2</p>  <p>x 4</p> | <p>A1</p>  <p>M8<br/>x<br/>70</p> <p>x 8</p> |
|---|---|---|



|  |  |   |
|--|--|---|
| <p>A2</p>  <p>x 8</p> | <p>A3</p>  <p>x 8</p> | <p>B</p>  <p>x 1</p> |
|--|--|---|

1

|   |   |   |   |  |   |
|---|---|---|---|--|---|
| <p>1</p>  <p>x 1</p> | <p>2</p>  <p>x 4</p> | <p>A1</p>  <p>M8<br/>x<br/>70</p> <p>x 8</p> | <p>A2</p>  <p>x 8</p> | <p>A3</p>  <p>x 8</p> | <p>B</p>  <p>x 1</p> |
|---|---|---|---|--|---|

