

Installation (continued)

• Preparing for installation



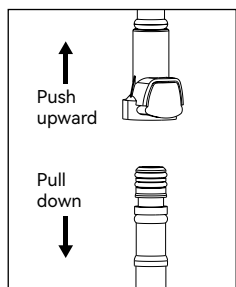
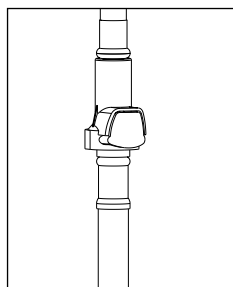
CAUTION: Always shut off the water supply before removing or replacing any part of a faucet. Open the handle to relieve water pressure and ensure that the water is completely shut off.

Remove the weight.

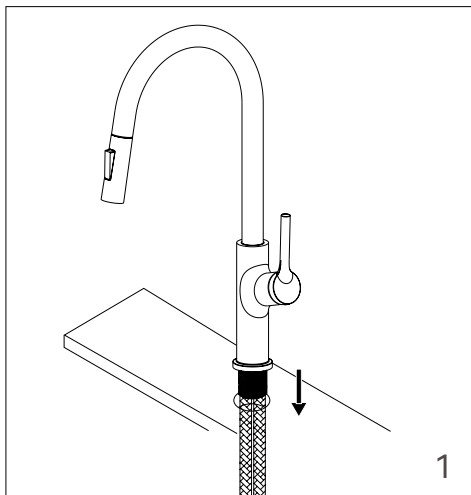
Remove the protective clip on outlet hose.

Unscrew the hose protector, screw nut, metal washer and rubber washer.

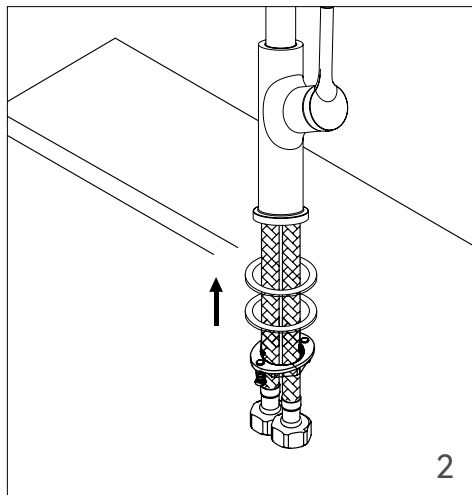
Check that the pre-assembled supply hoses and outlet hose are tightened securely.



• Assemble the faucet

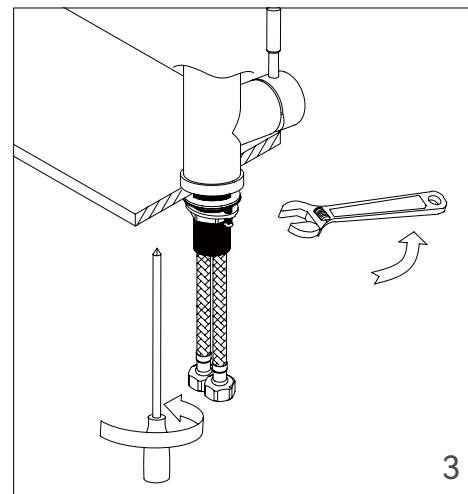


Insert the faucet assembly through the hole.

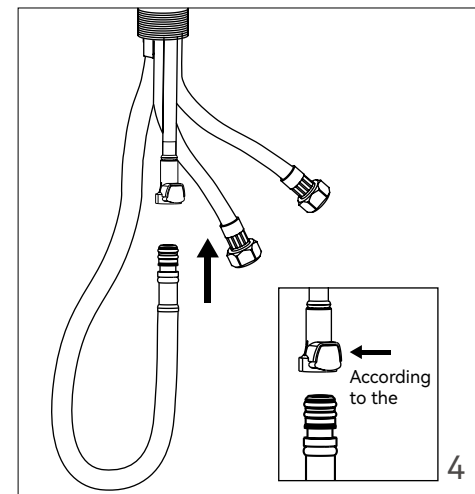


Install faucet and faucet flange to deck surface.

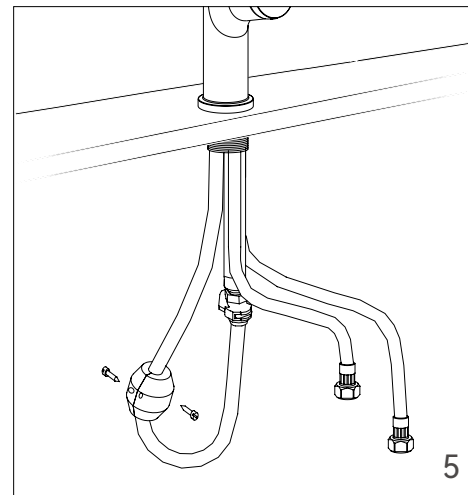
Installation (continued)



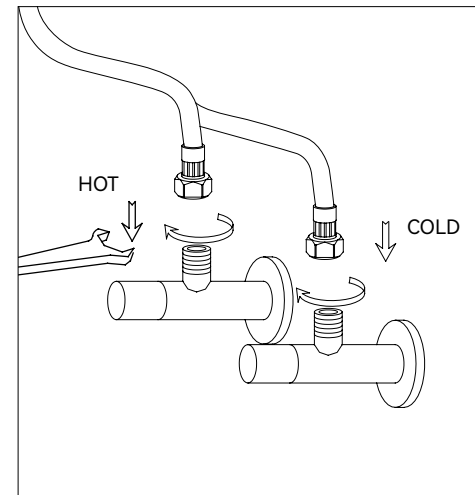
1. From below deck, slide plastic washer and metal washer onto threaded faucet body.
2. Thread mounting nut onto faucet body.
3. Secure mounting hardware to deck with mounting screws.



Attach quick disconnect adapter to the pull-down hose adapter. Arrows on adapter ring must be aligned with quick disconnect release tabs for full engagement.



Attach counterweight to pull-down hose. Slide counterweight over top of guide. Push counterweight down so it holds guide.



Connect hot supply hose (on left side) and cold supply hose (on right side) to supply outlets.