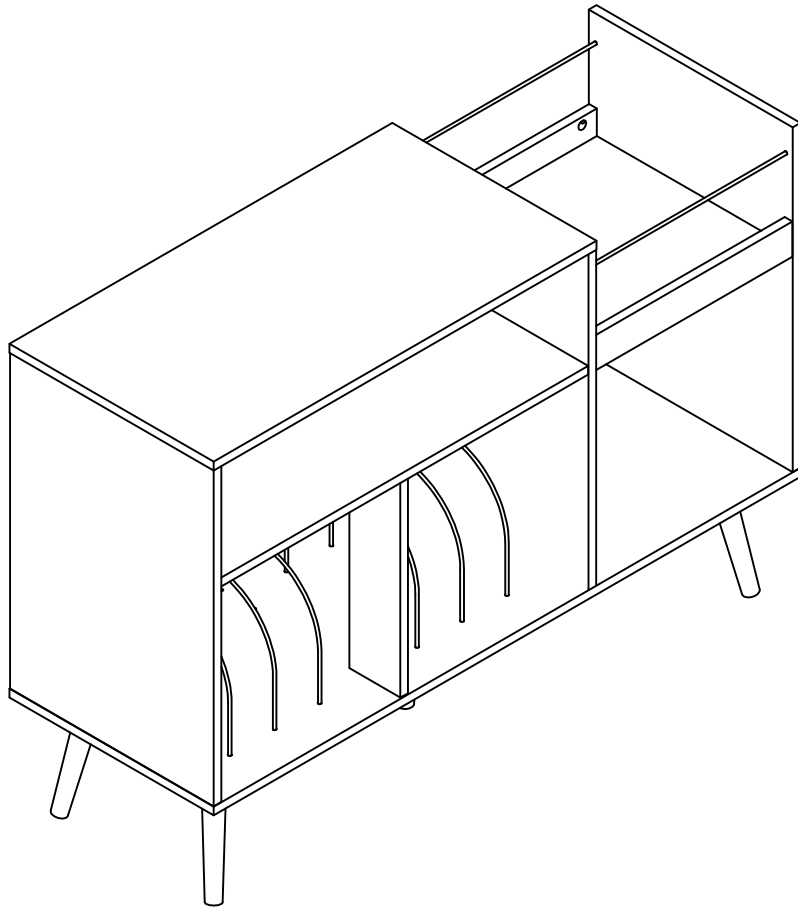


# Installation Instruction



# Assembling

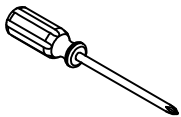
Estimated time for assembly



**45 : 00**

## What you need

- Use the packaging carton as a working surface to prevent product damage during assembly
- Phillips head screwdriver



## Weight Limitation

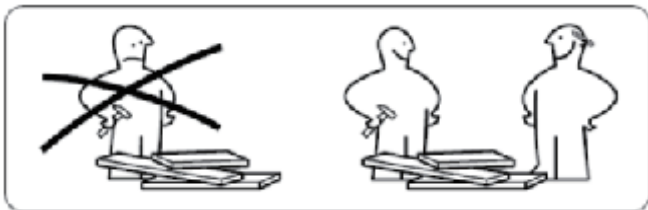


**100**

lbs table top

**| 35**

lbs per

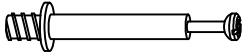


# What' included

Code	Description	Qty
A	Cam Bolt M6X35MM	26
B	Cam Lock 15X9MM	26
C	Wooden Dowel M6X30MM	22
D	Screw M4X40MM	10
E	Screw M3.5X14MM	38
F	The metal plate	4
G	Metal connector	2
H	Screw M3.0X14MM	14
I	Adjustable foot pads	1
J	Plastic Angle code	14
K	Anchor	2
L	MATS	4
M	The metal plate	1
N	Hole position sticker	26
O	Connecting piece	2

# The Hardwares

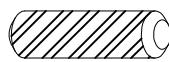
A



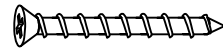
B



C



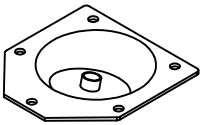
D



E



F



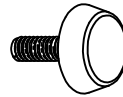
G



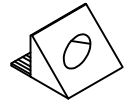
H



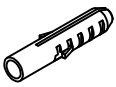
I



J



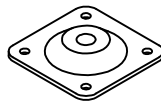
K



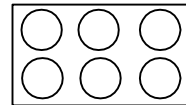
L



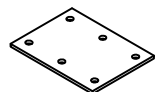
M



N



O



## IMPORTANT:

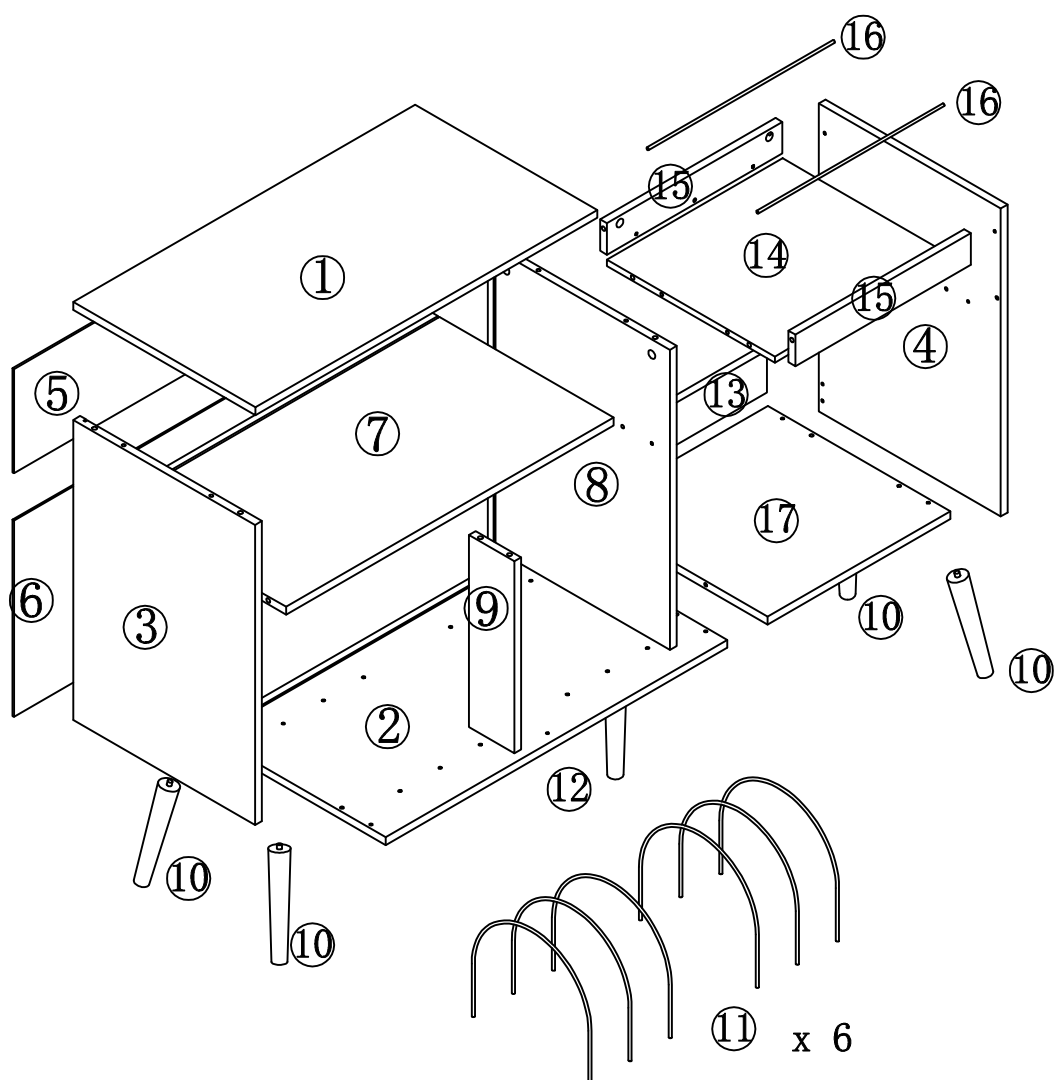
1. Do not tighten bolts / screws completely until all bolts / screws are lined up and inserted into holes.
2. Do not over tighten screws and bolts to avoid stripping
3. Please use hand tools to assemble this product. Do not use power tools.

# Included Accessories

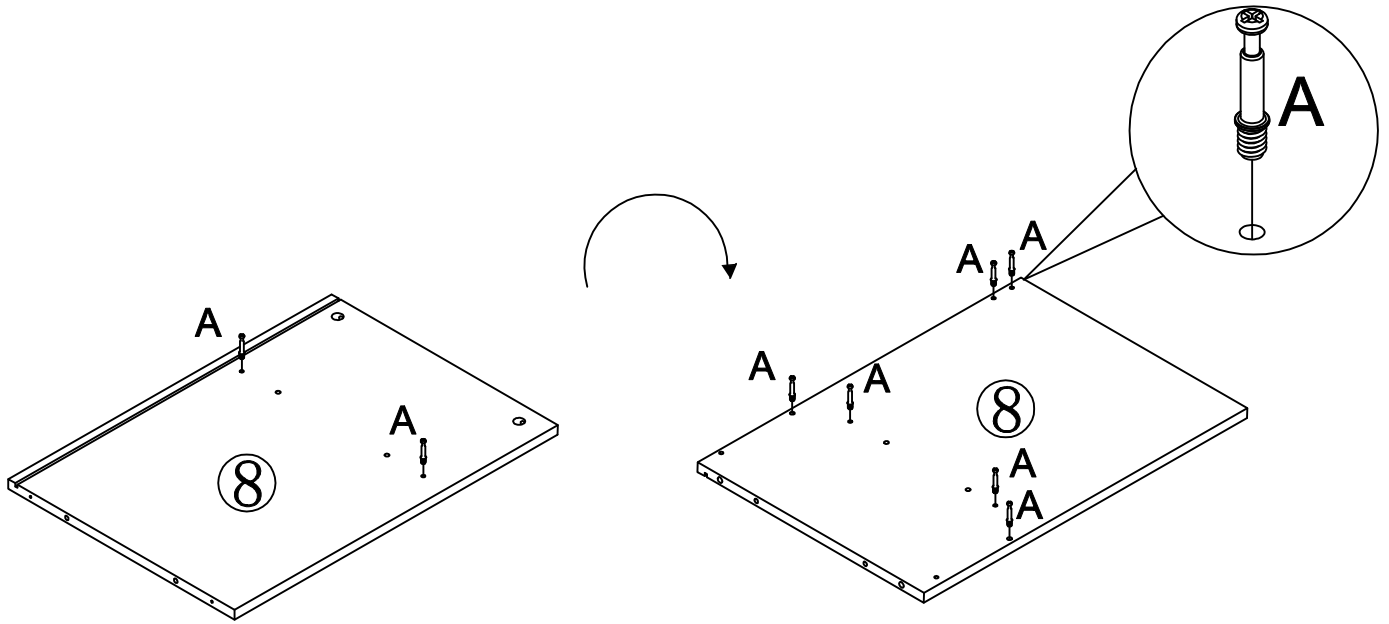
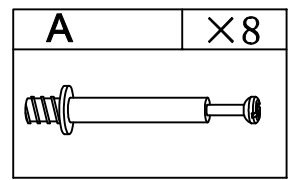
---

Code	Description	Qty
1	Cabinet Top	1
2	Right Bottom Panel	1
3	Left Side Panel	1
4	Right Side Panel	1
5	Upper back plate	1
6	Lower back plate	1
7	Layer board	1
8	Left bulkhead	1
9	Lower partition board	1
10	Solid wood feet	4
11	Circular steel bar	6
12	Medium solid wood feet	1
13	Back drawing plate	1
14	Left laminate	1
15	Top back pull plate	2
16	Rebar	2
17	Left bottom Panel	1

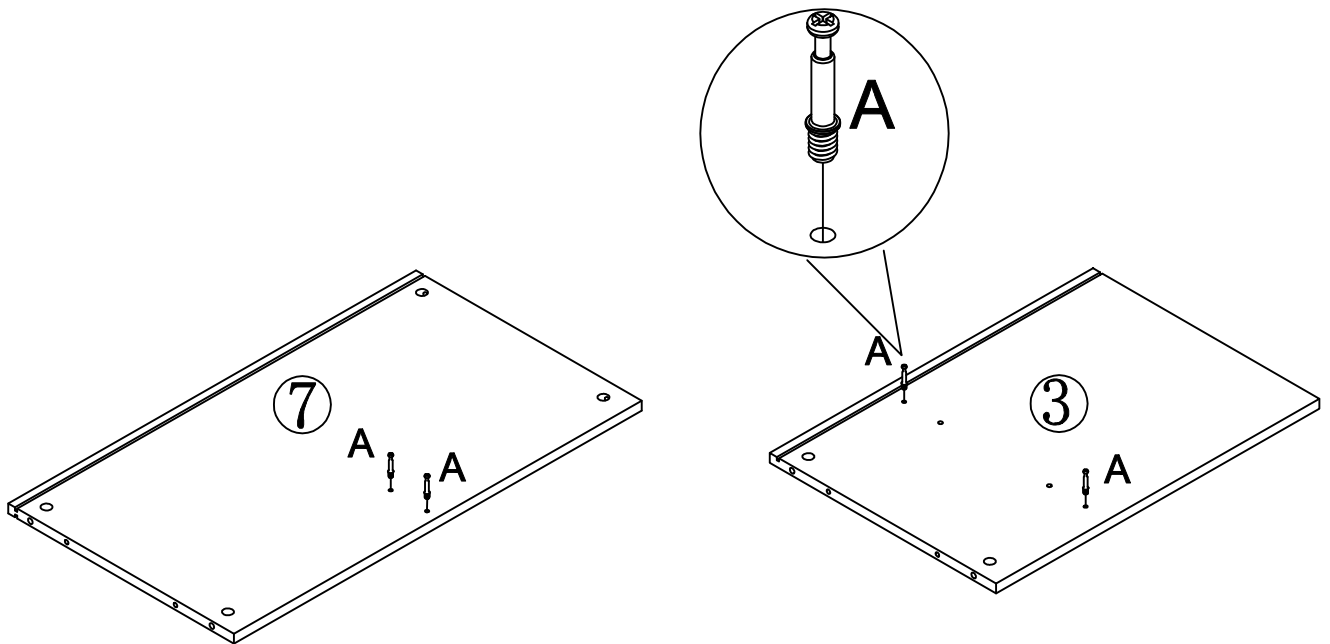
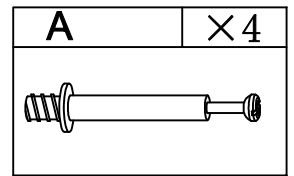
# The Accessoriss



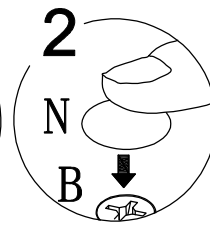
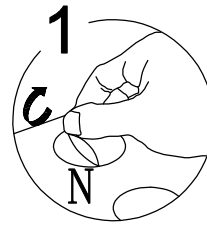
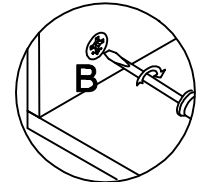
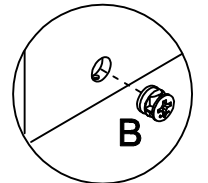
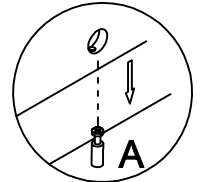
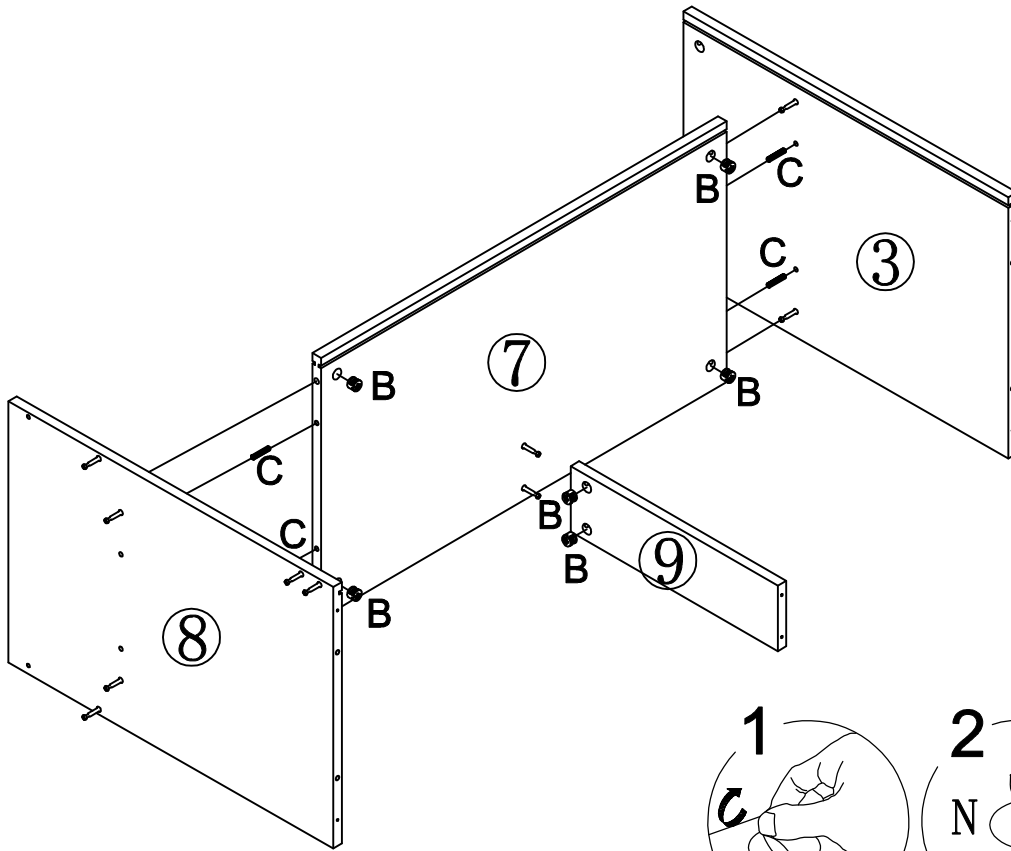
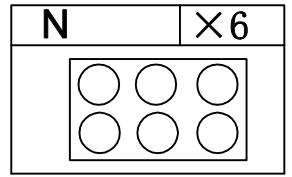
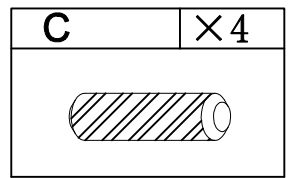
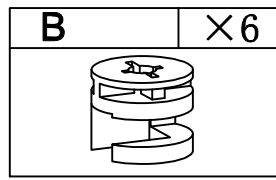
# Step 1



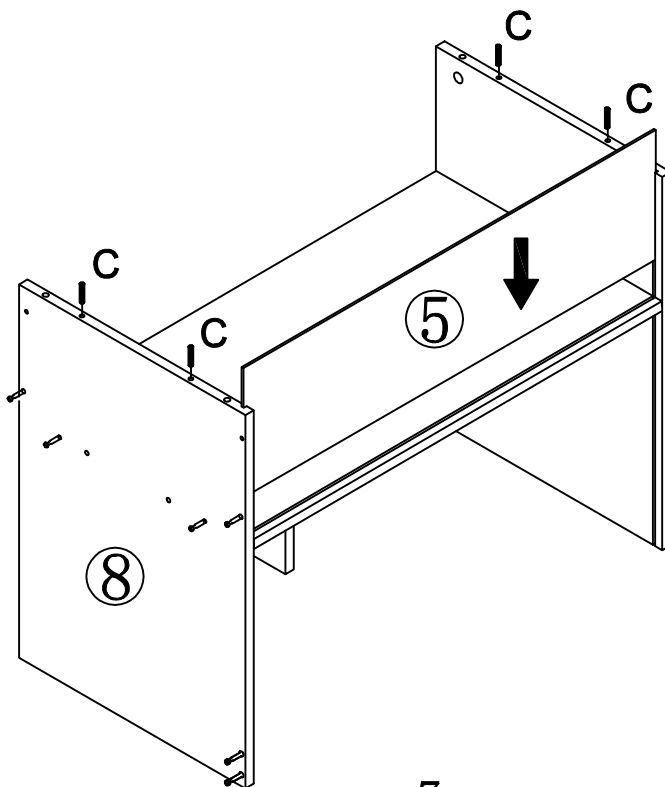
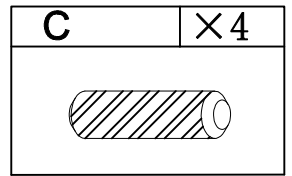
# Step 2



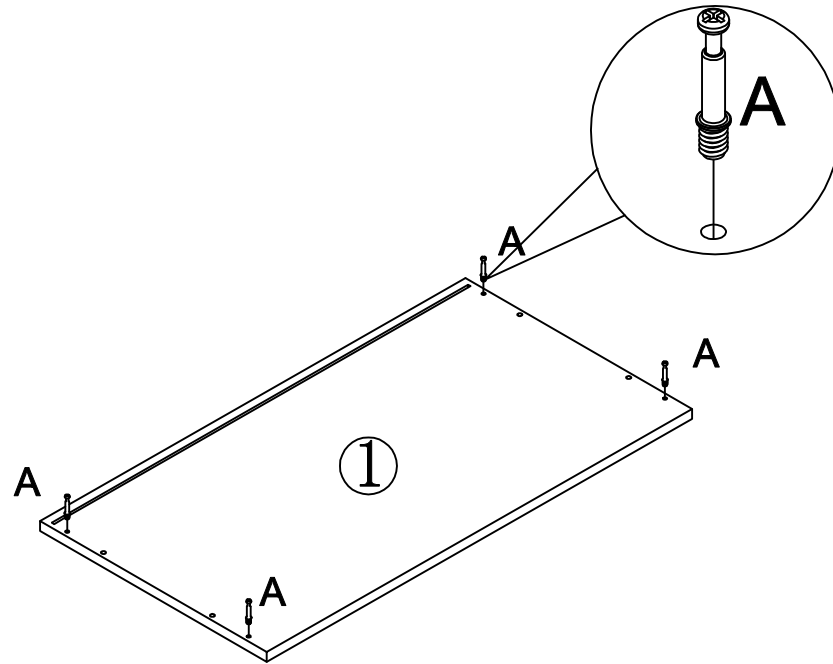
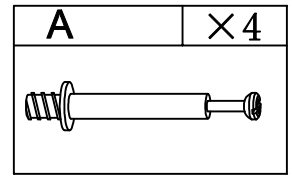
# Step 3



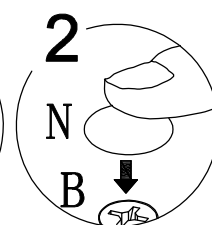
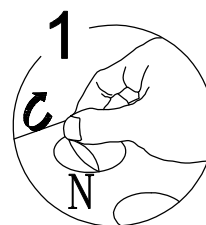
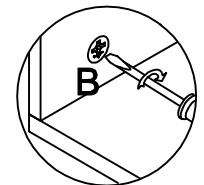
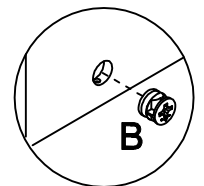
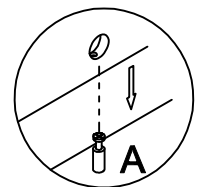
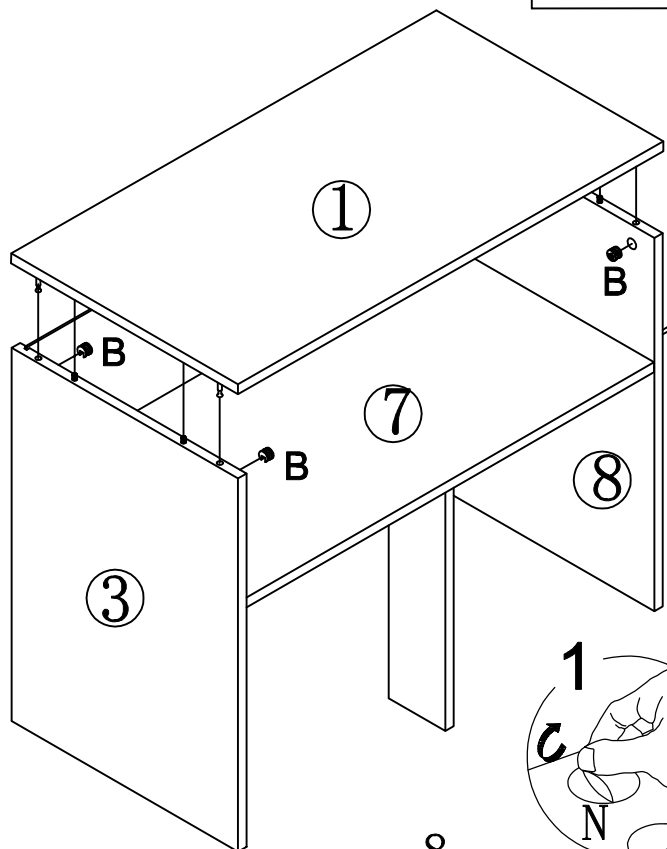
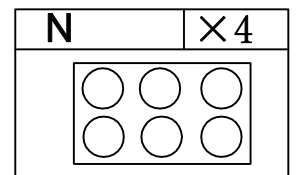
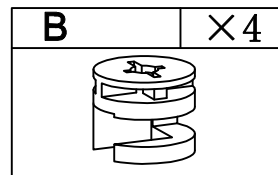
# Step 4



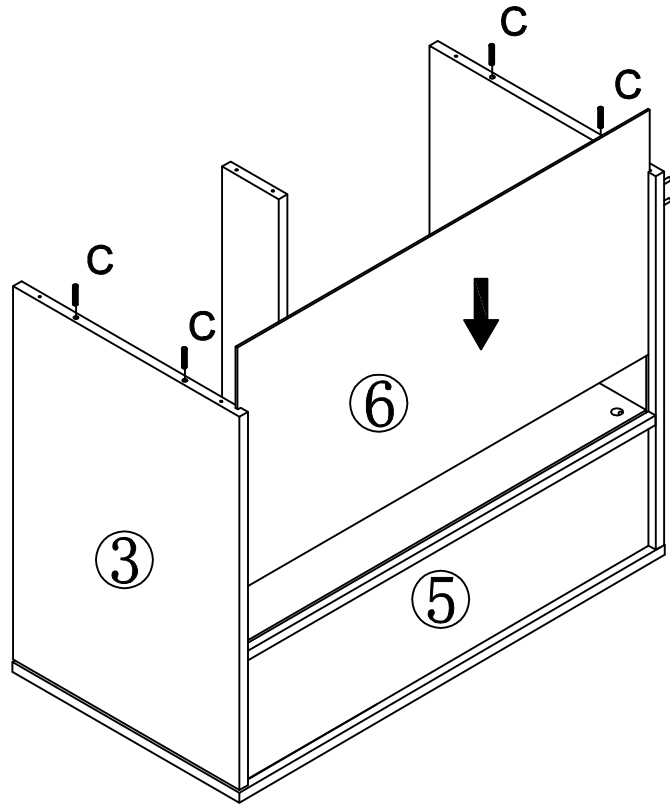
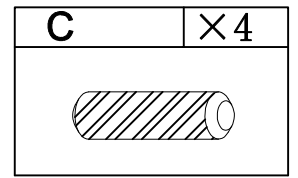
# Step 5



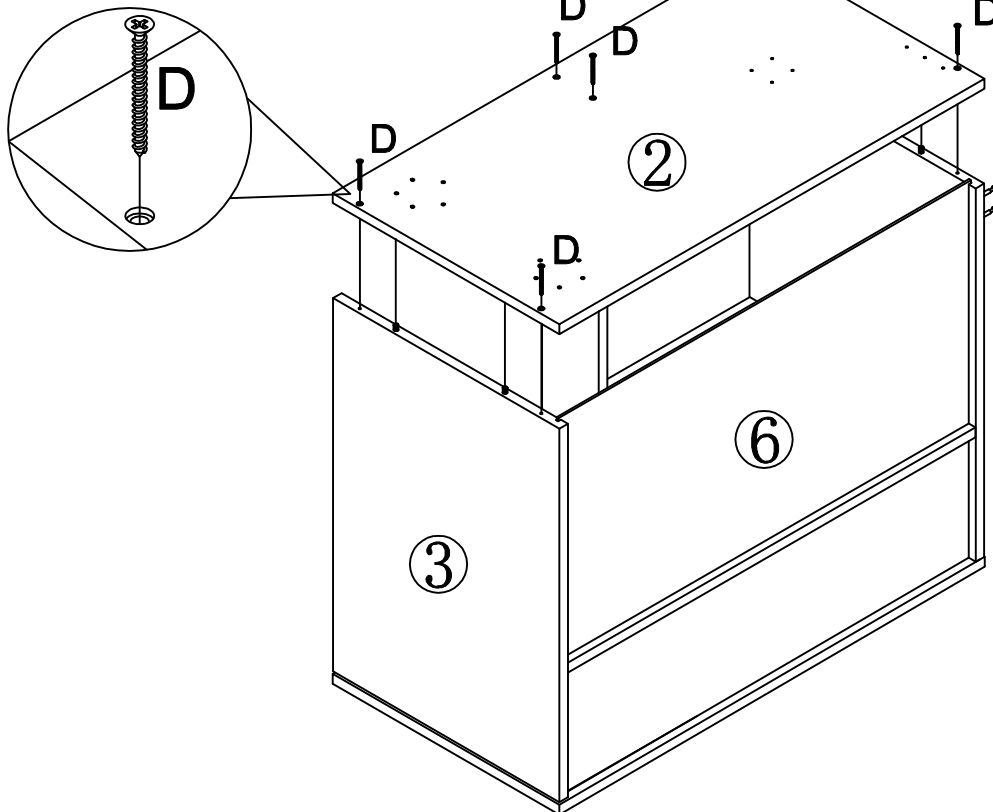
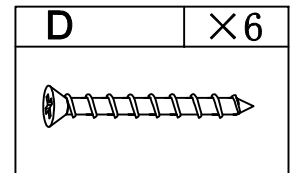
# Step 6




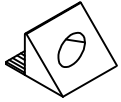
# Step 7

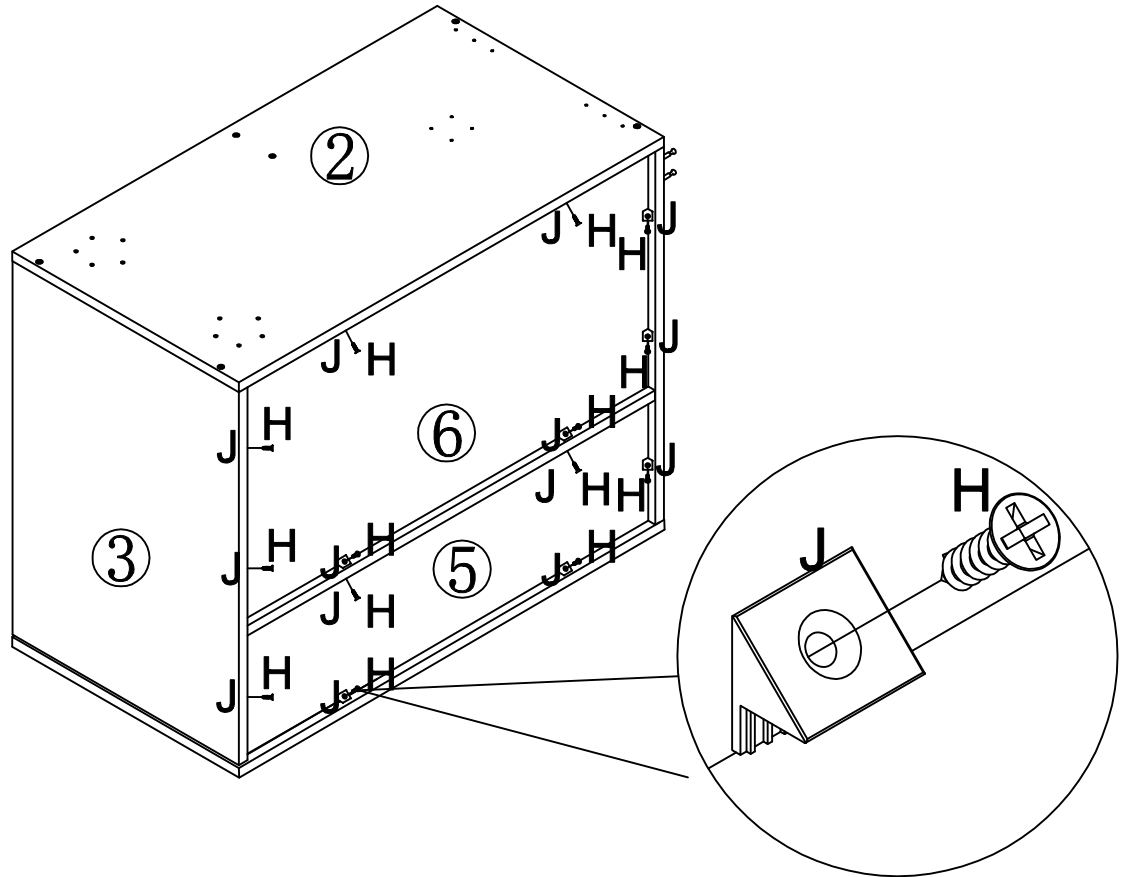


# Step 8

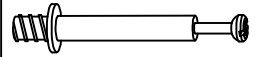


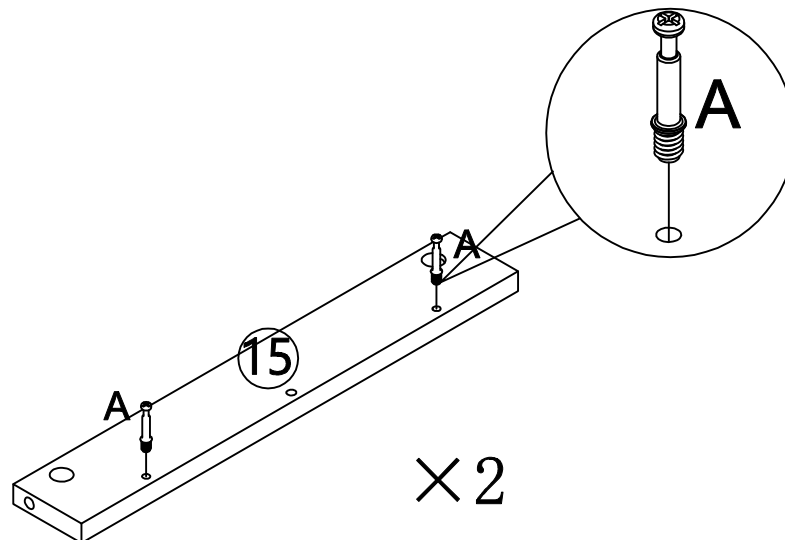
# Step 9

H	×14	J	×14
			

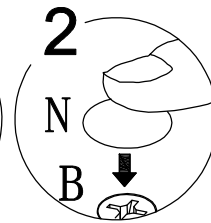
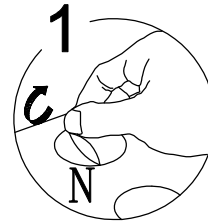
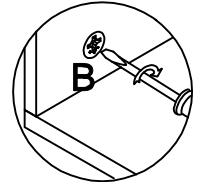
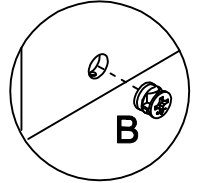
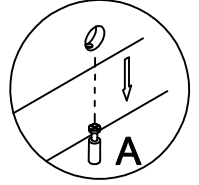
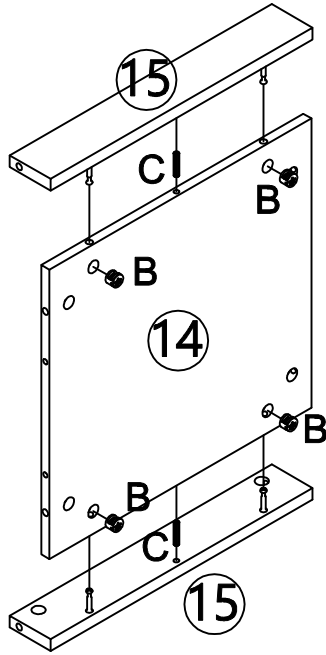
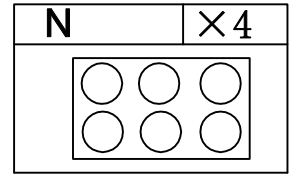
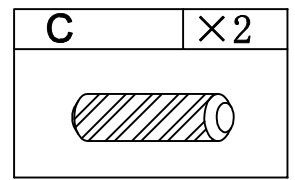
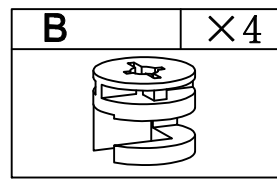


# Step 10

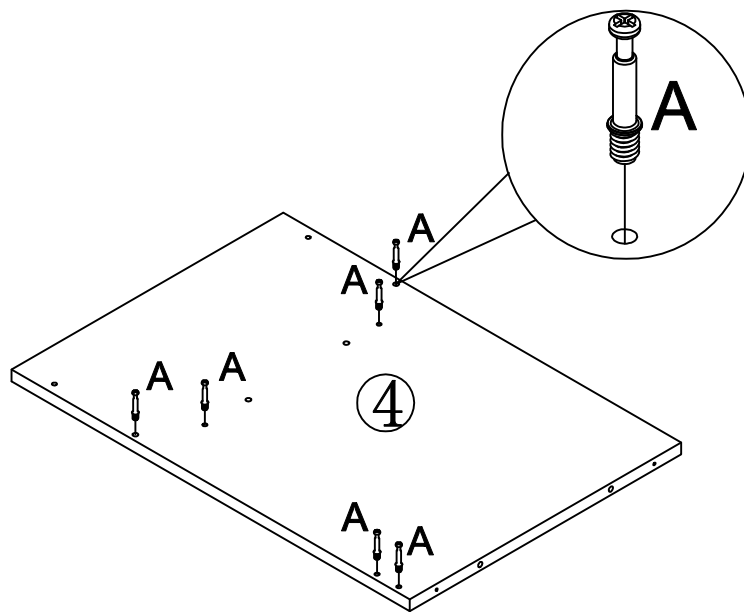
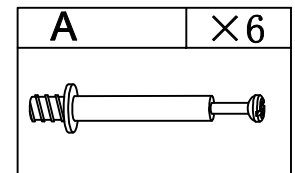
A	×4
	



# Step 11

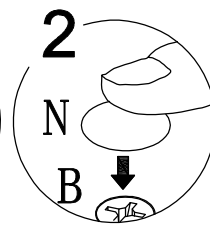
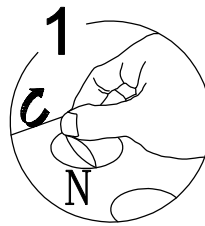
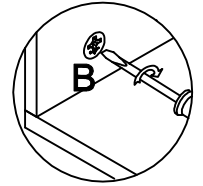
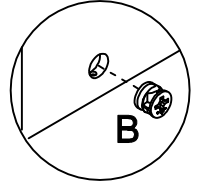
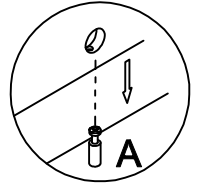
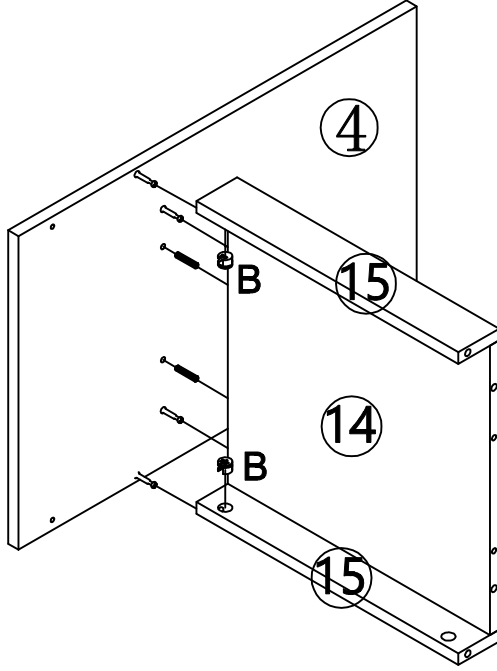


# Step 12



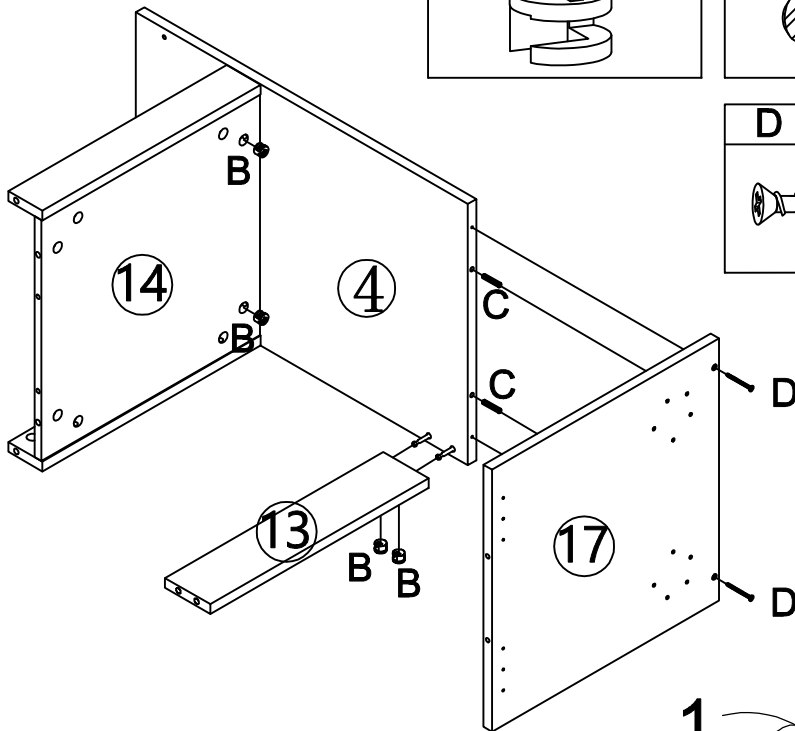
# Step 13

<b>B</b>	X2	<b>C</b>	X2	<b>N</b>	X2
----------	----	----------	----	----------	----

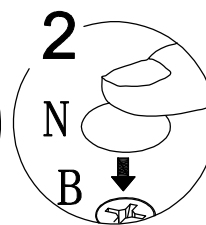
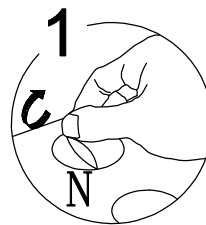
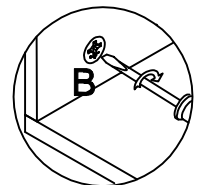
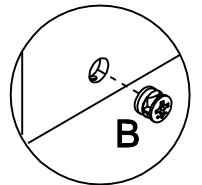
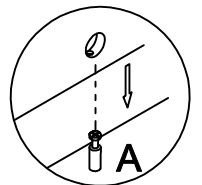


# Step 14



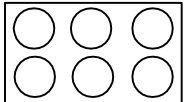
<b>B</b>	X4	<b>C</b>	X2	<b>N</b>	X4
----------	----	----------	----	----------	----

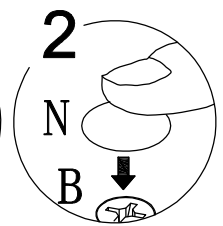
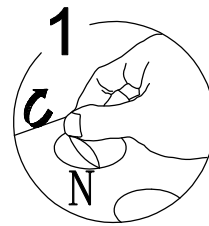
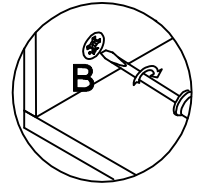
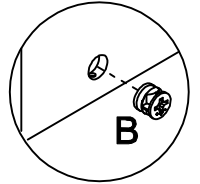
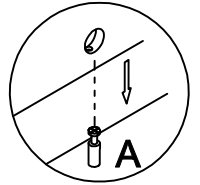
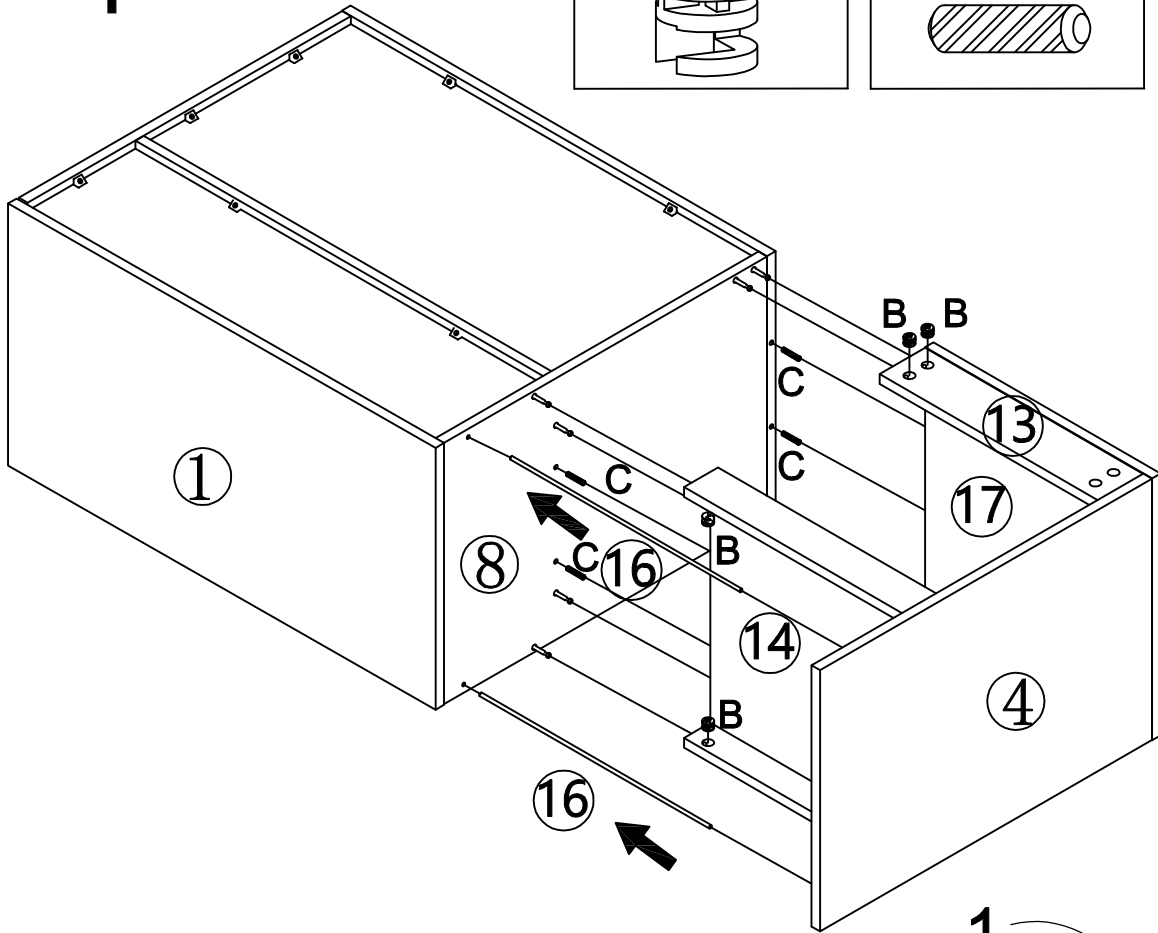


<b>D</b>	X2
----------	----

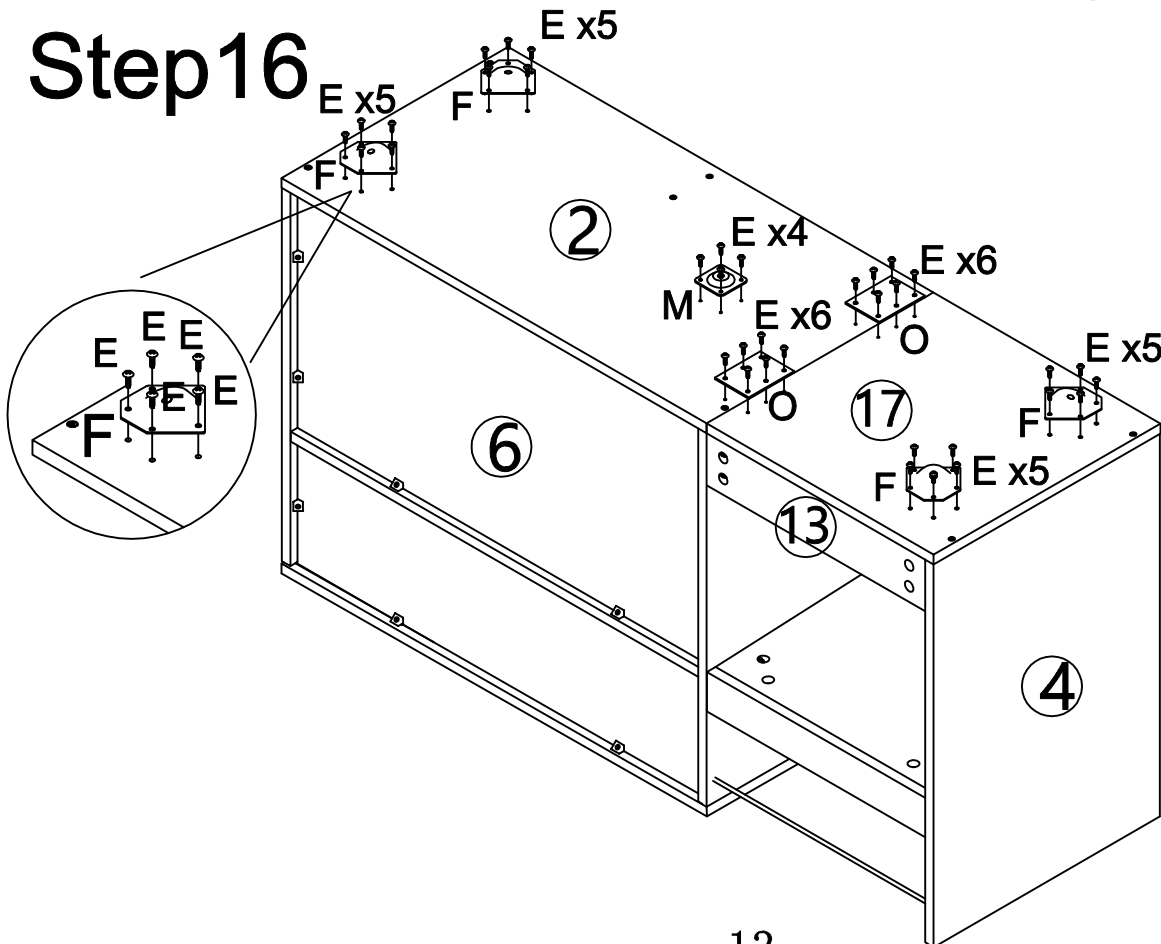


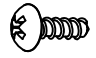
# Step 15

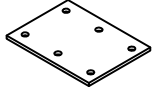
<b>B</b>	×6	<b>C</b>	×4	<b>N</b>	×6
					

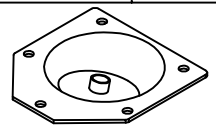


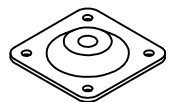
# Step 16



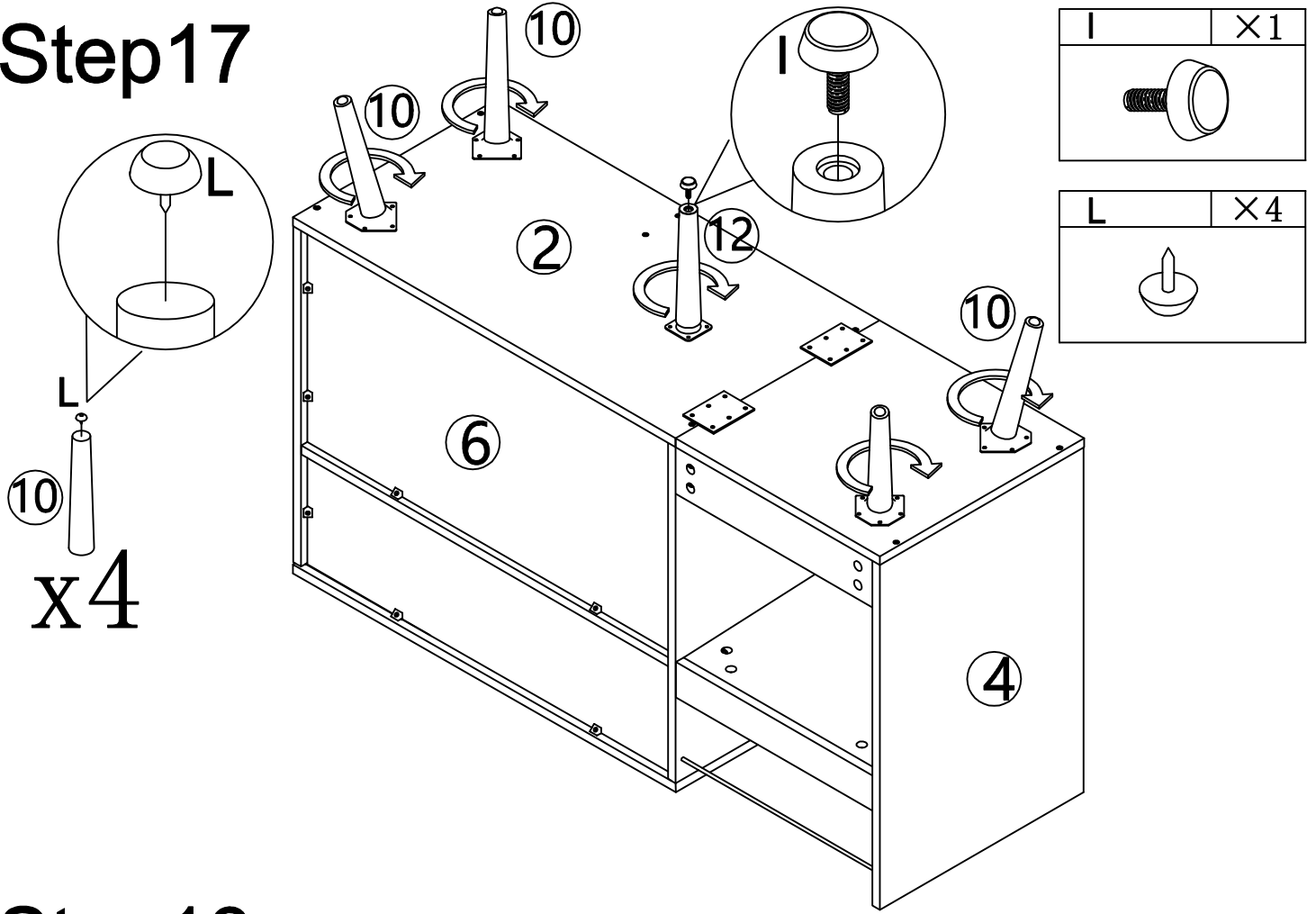
<b>E</b>	×36
	

<b>O</b>	×2
	

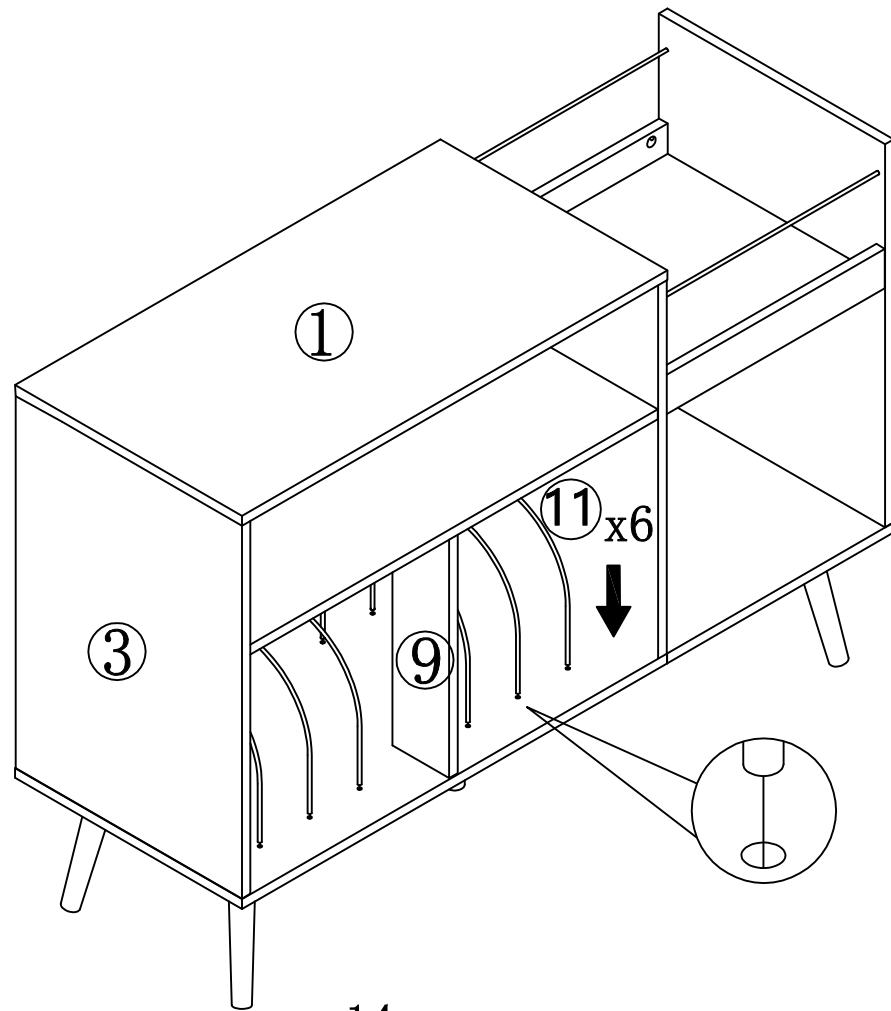
<b>F</b>	×4
	

<b>M</b>	×1
	

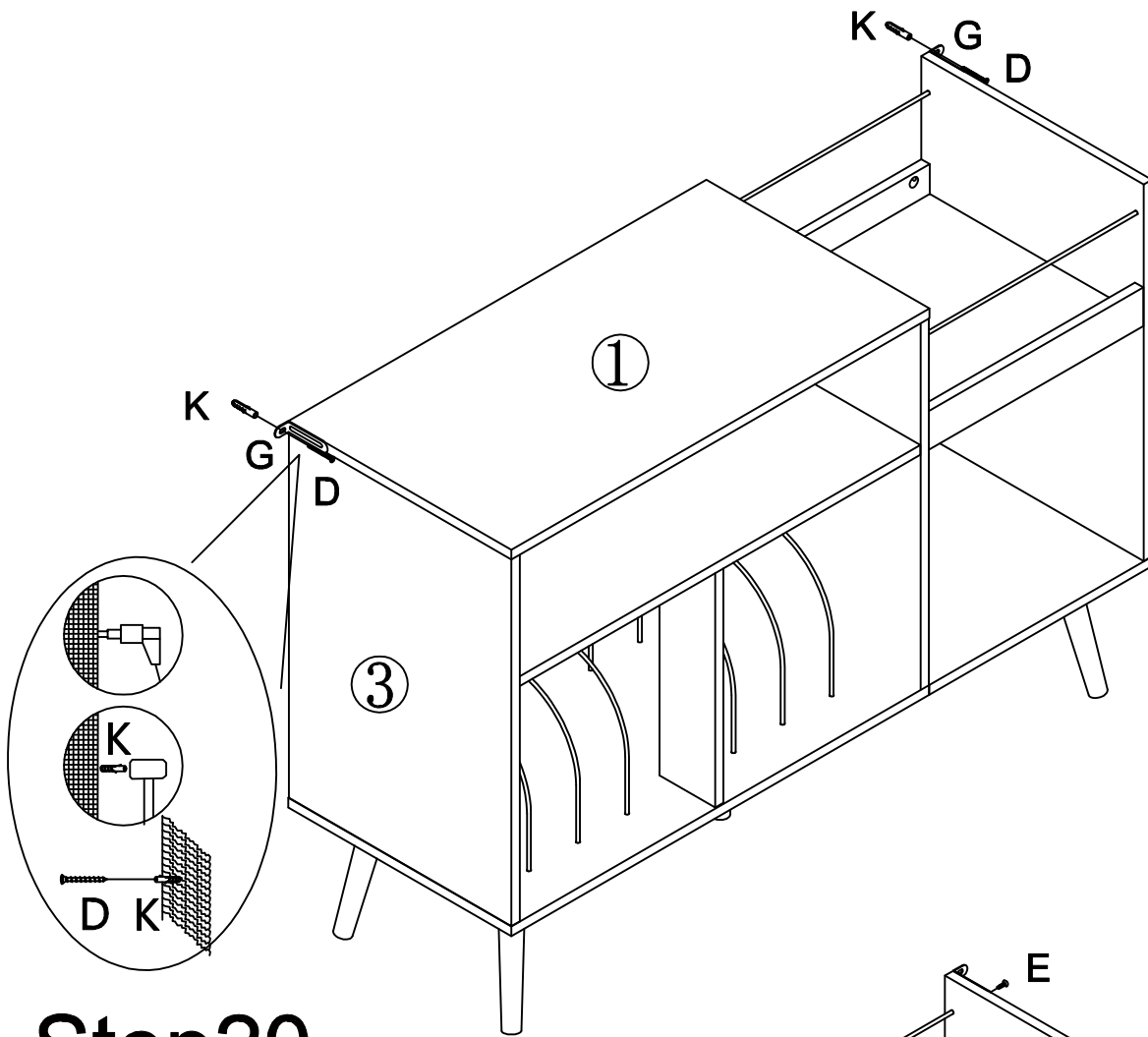
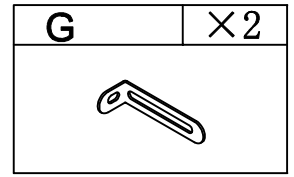
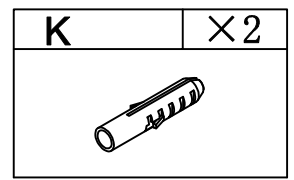
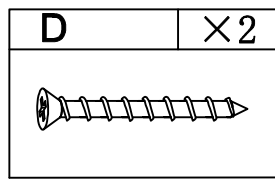
# Step 17



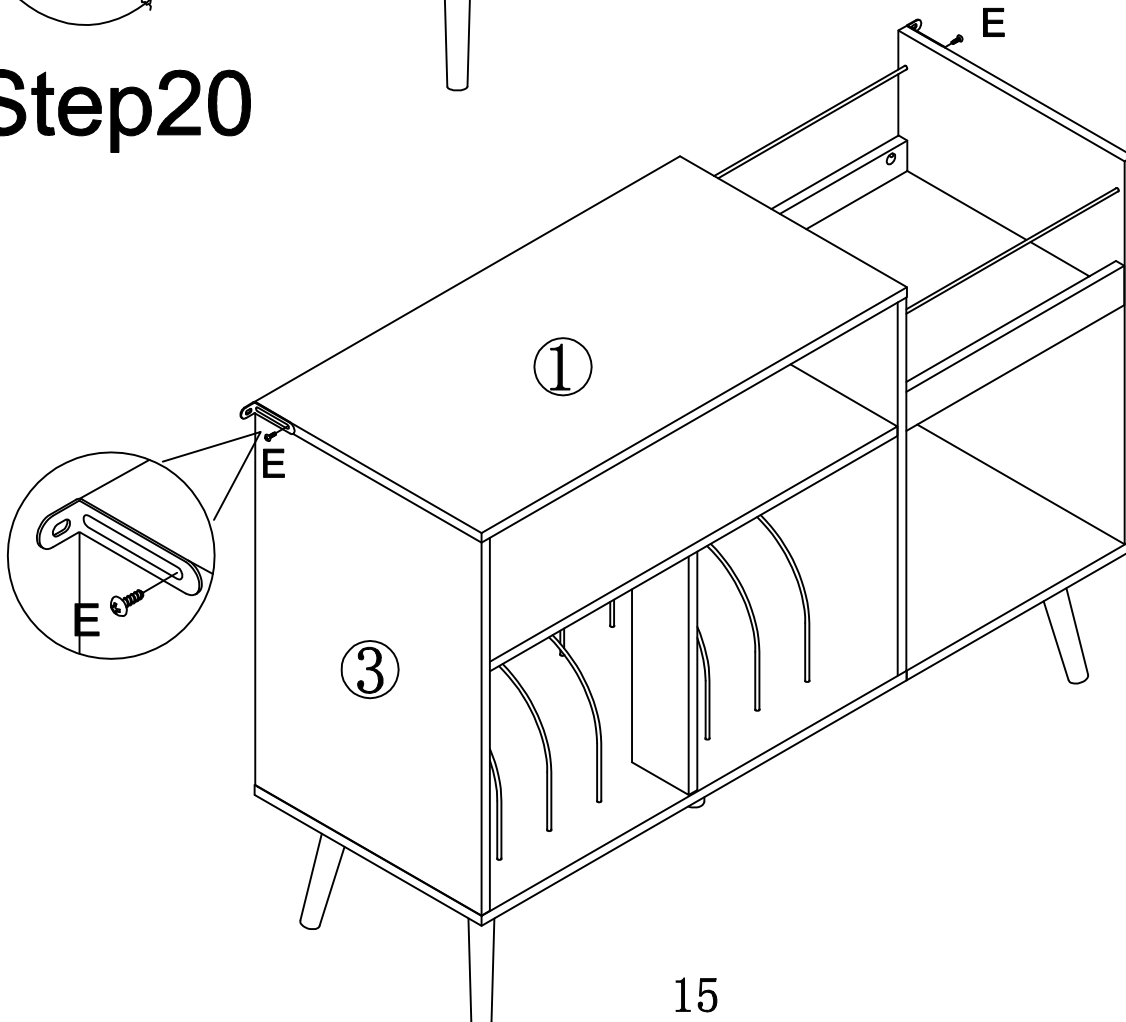
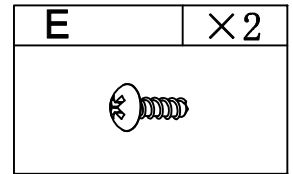
# Step 18



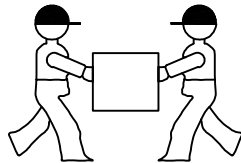
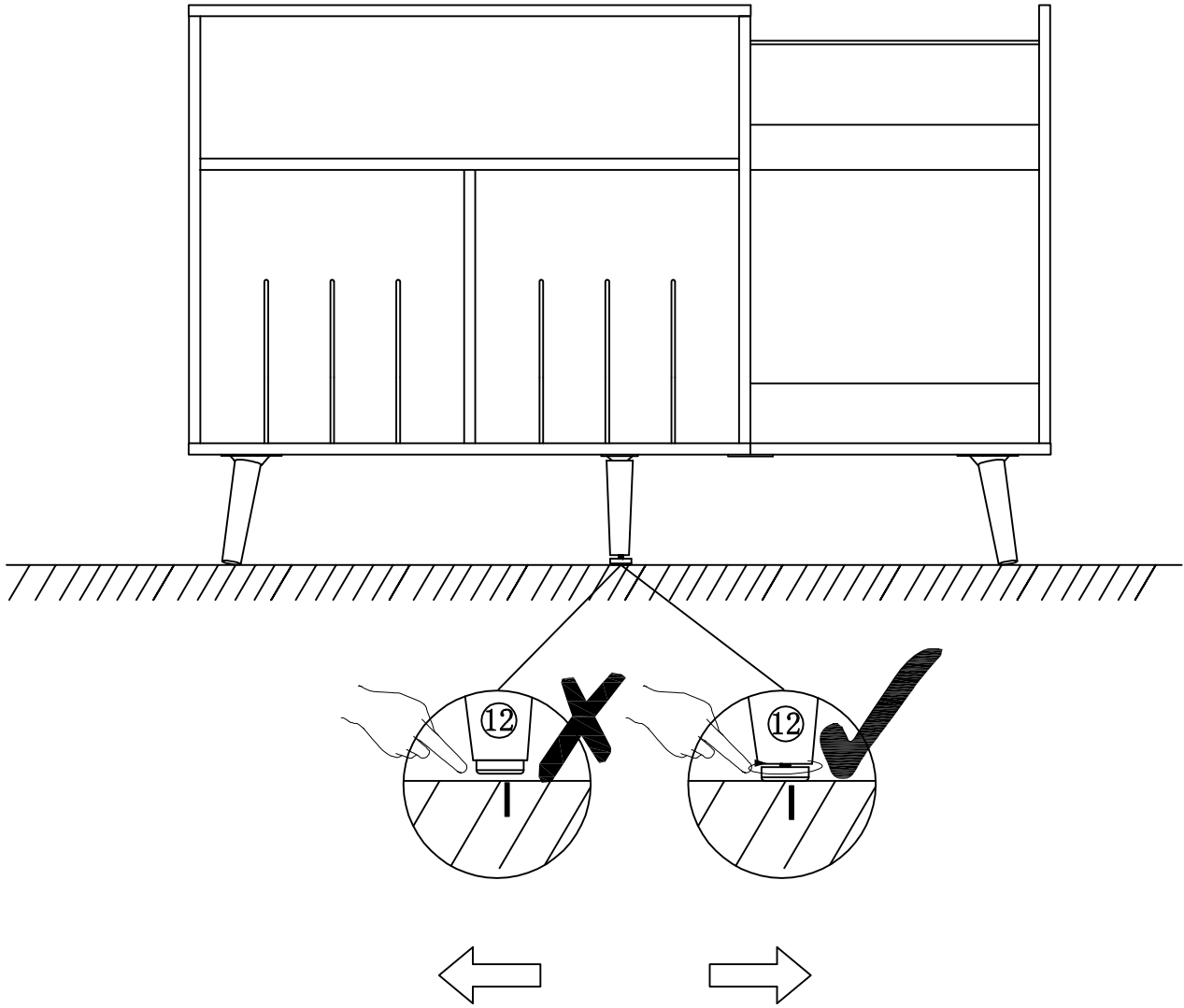
# Step 19



# Step 20



# Step21



Two people work together to move the table.  
Make sure you lift it off the ground.  
Don't push and pull.