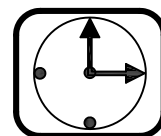


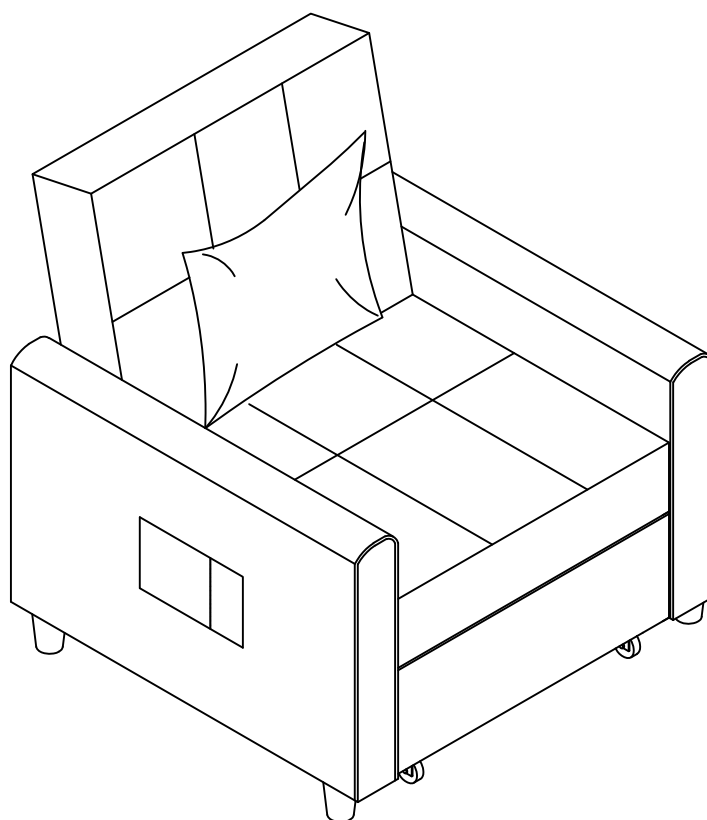
Assembly Instruction



20 Mins

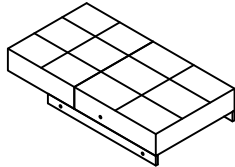
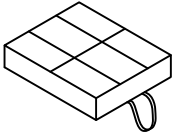
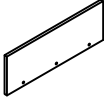



X 2

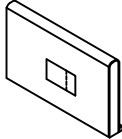
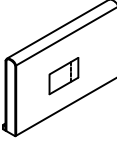
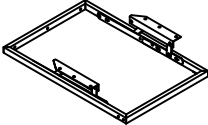

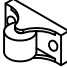

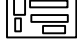


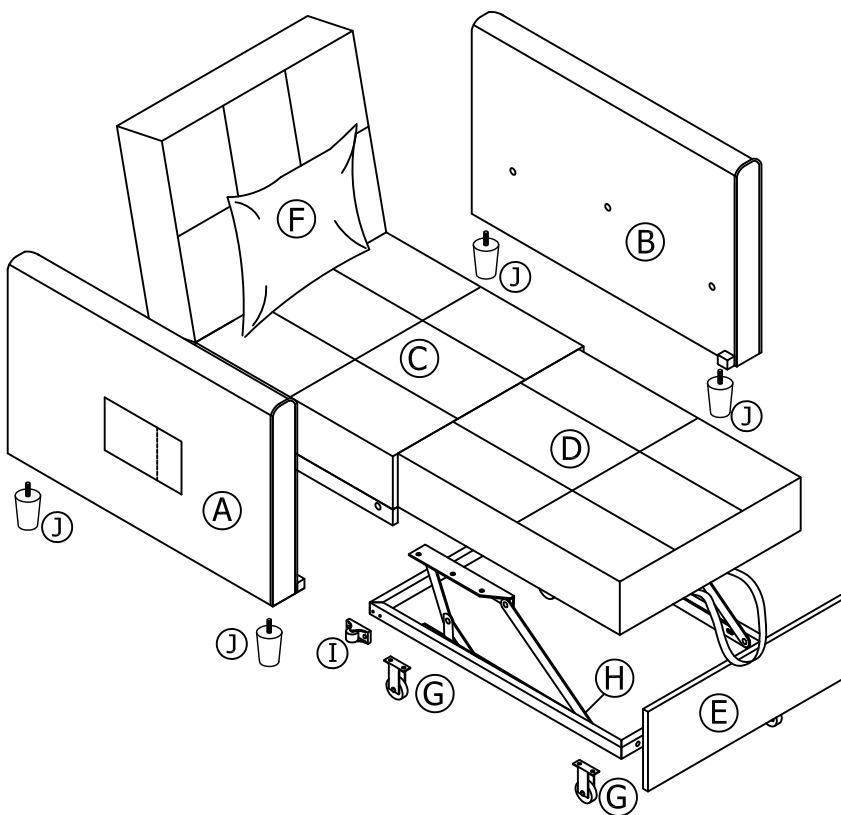
PACKING DETAILS: TOTAL 2 BOXES

BOX-1/2

NO.	PARTS	QTY
C		1
D		1
E		1
F		1











BOX-2/2

NO.	PARTS	QTY
A		1
B		1
H		1
G		4
I		2
J		4
	 Hardware Kit	1

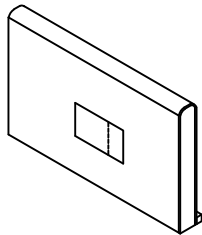


Please don't tighten the screws until all the screws are put into the hole. And if there is any problem, please contact us and we will help you to solve it.

Hardware List

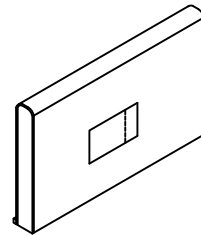
①		Ø5/16inX2-1/2inL	6 PCS	②		Ø5/16in	9 PCS
③		Ø5/16inXØ7/8in	9 PCS	④		Ø1/4inX3/4inL	12 PCS
⑤		Ø1/4in	12 PCS	⑥		Ø1/4inXØ5/8in	12 PCS
⑦		Ø1/4in	1 PC	⑧		Ø5/16in	1 PC
⑨		Ø5/16inX1-1/2inL	3 PCS	⑩		Ø5/32inX3/4inL	4 PCS

A



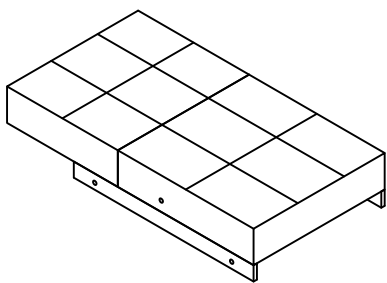
1 pc

B



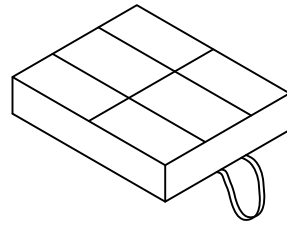
1 pc

C



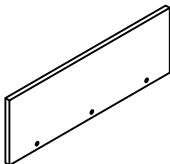
1 pc

D



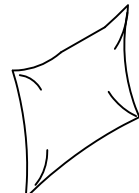
1 pc

E



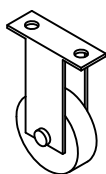
1 pc

F



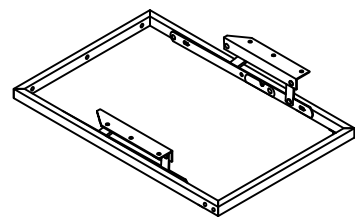
1 pc

G



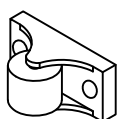
4 pcs

H



1 pc

I



2 pcs

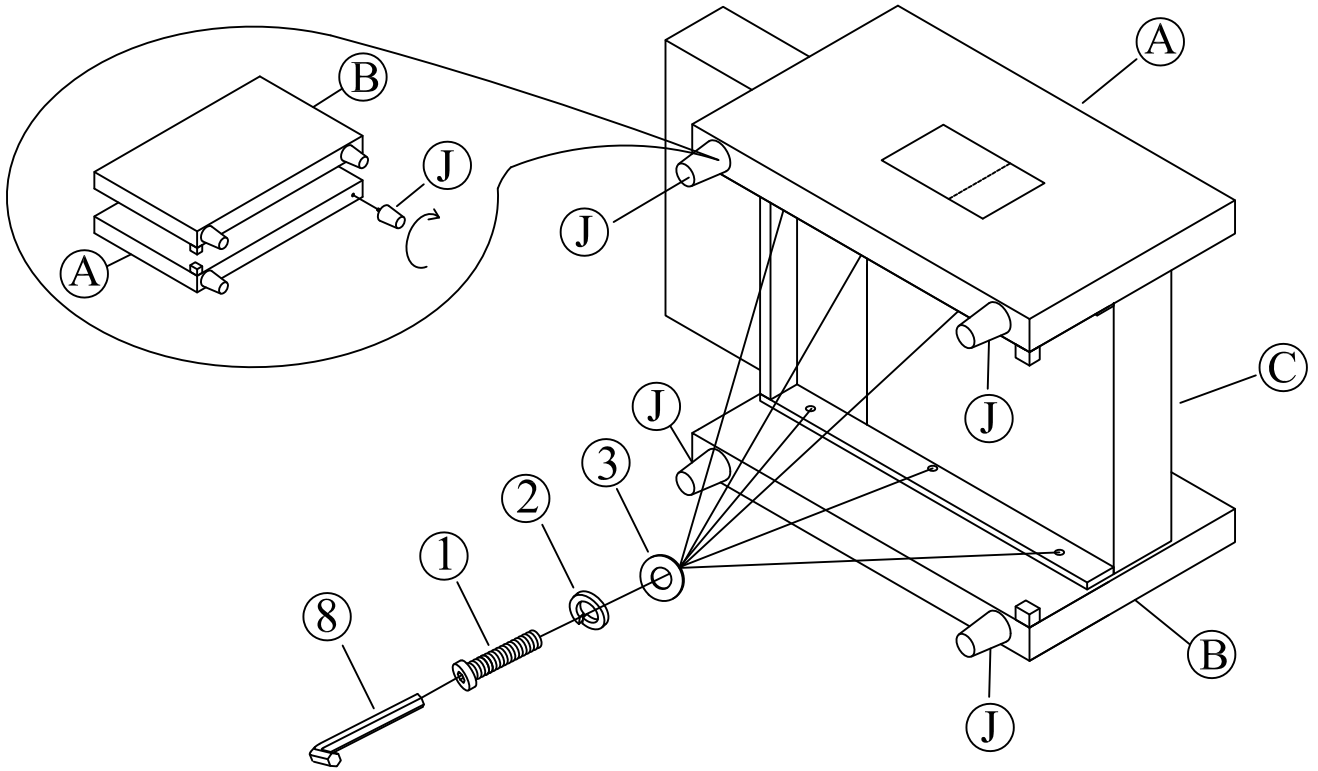
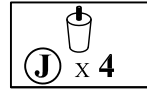
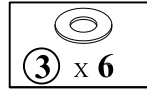
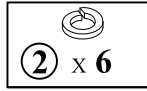
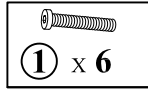
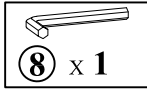
J



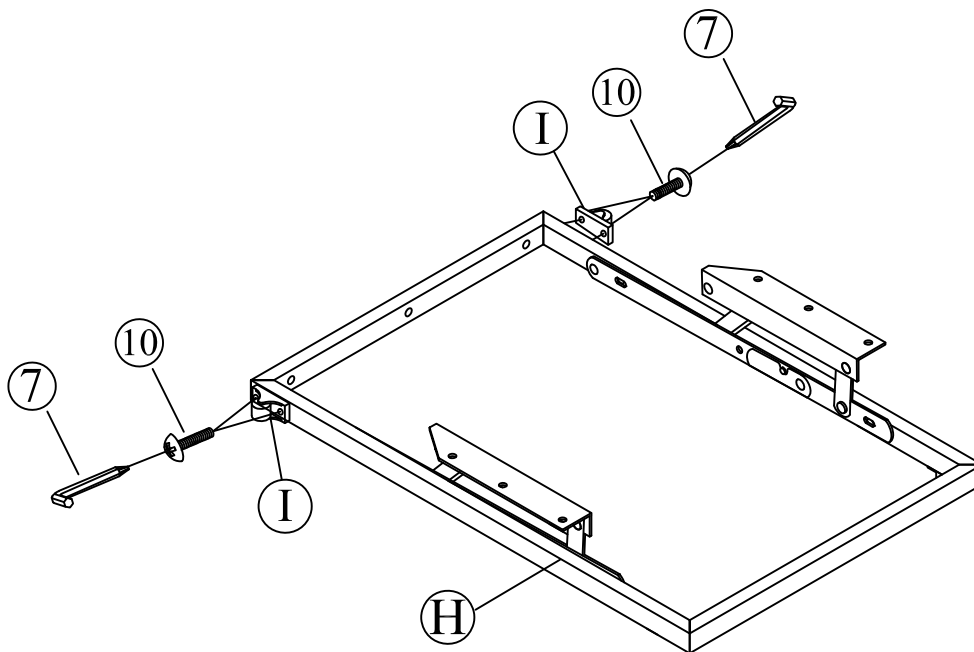
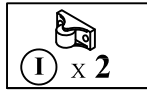
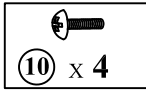
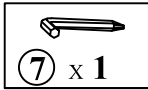
4 pcs

Assmly Instructions

1

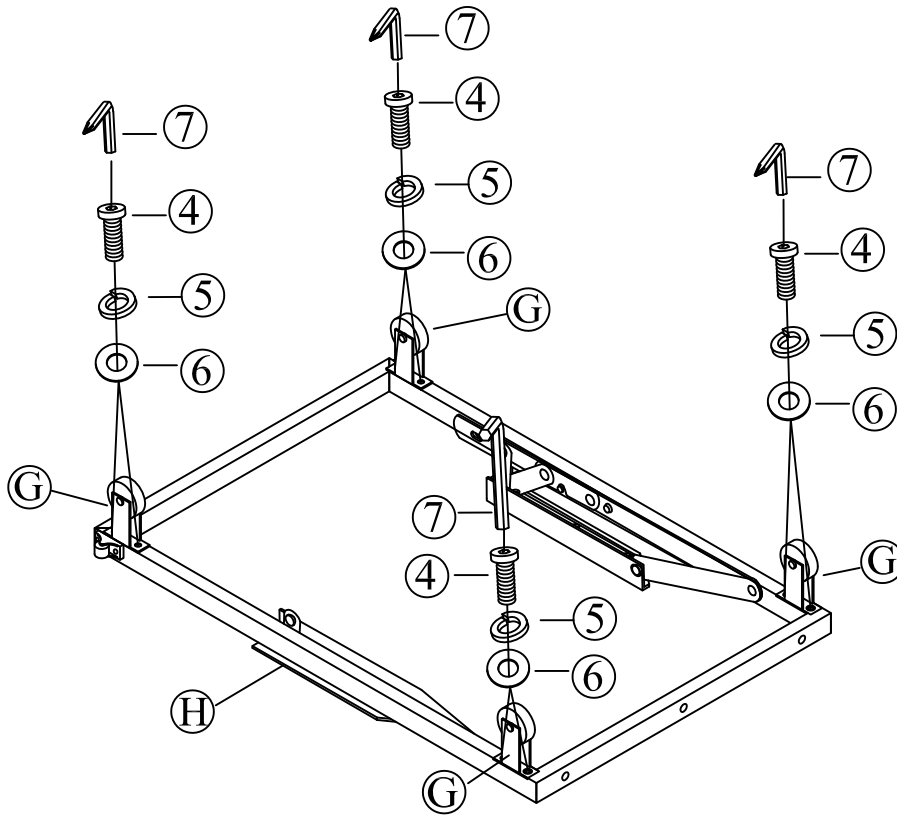
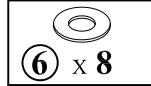
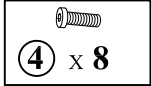
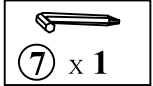


2

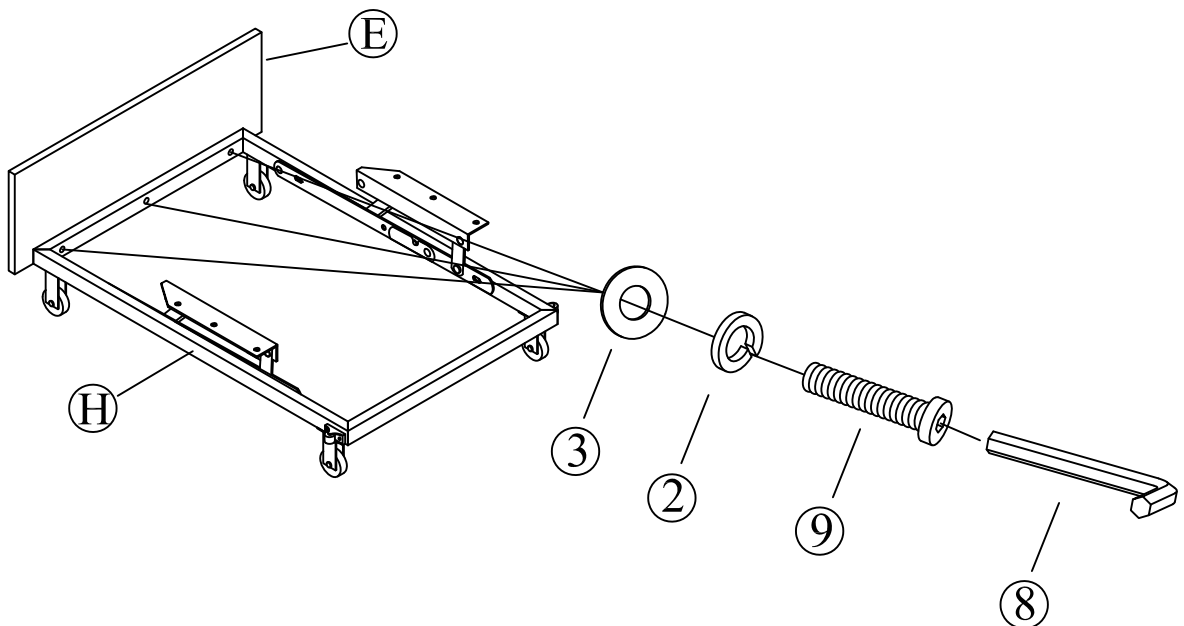
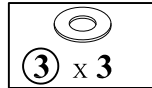
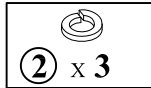
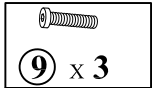
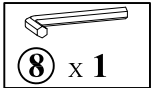


Assmly Instructions

3

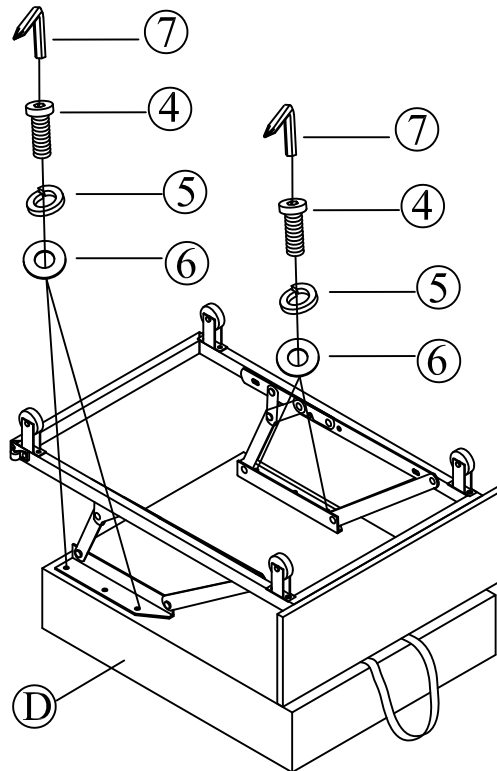
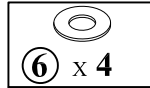
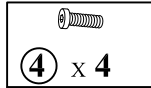
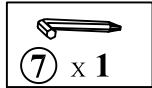


4

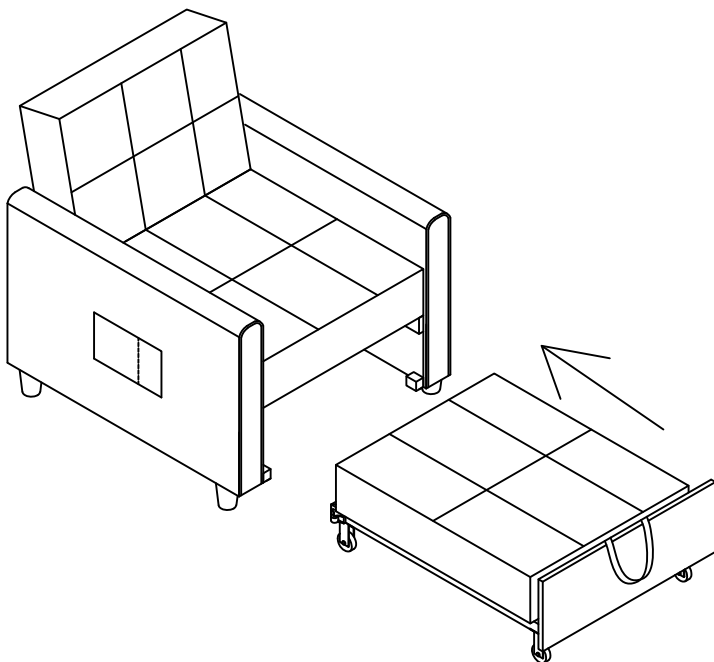


Assmby Instructions

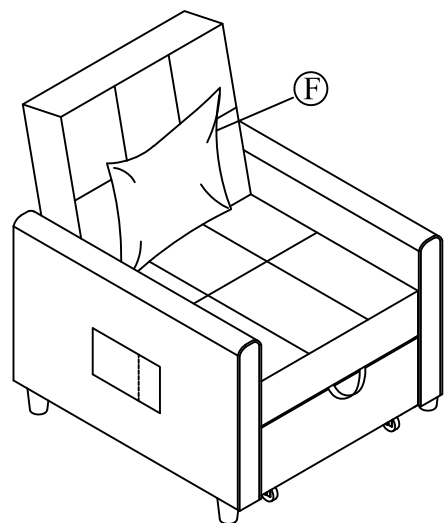
5



6

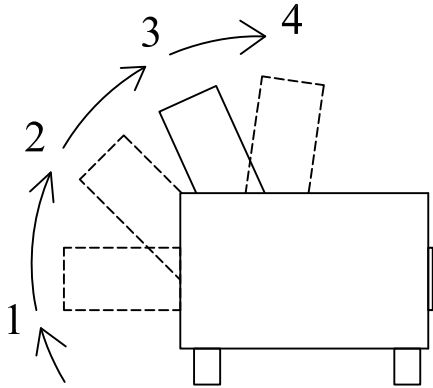


7



Assmly Instructions

Way to Adjust the Backrest



From the bottom to the top:
First click: locking into recliner.
Second click: releasing recliner.
Third click: locking into chair.
Fourth click: releasing chair.

Way to Adjust the Footrest

