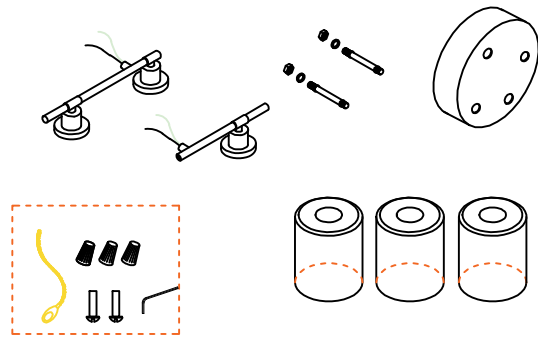
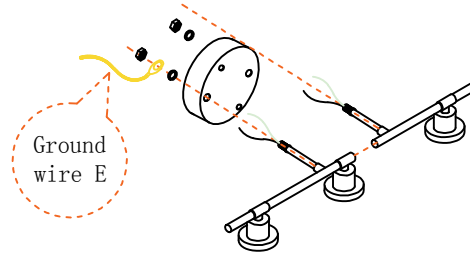


Parts

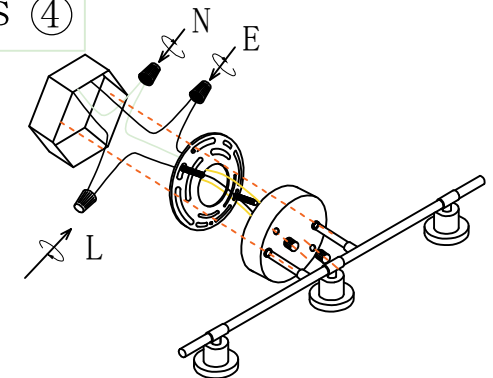


Steps ②



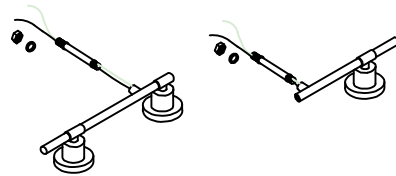
Get through the lamp wire to the canopy and screw the canopy to the short rod. (Use one of the nuts to lock the ground wire E)

Steps ④



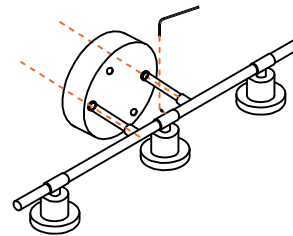
1. Assemble the mounting bracket to the ceiling junction box with the screw
2. Connect the power cord out from the ceiling junction to lamp wires with the lead wire and wire nut. According wire color to connect. (black for "L", white for "N", copper wire for "Ground E")
3. Assemble the canopy to the mounting bracket by tightening the ball nuts

Steps ①



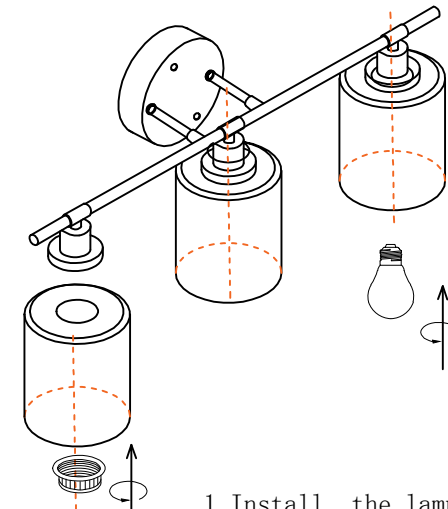
Get through the lamp wire to short rod, and screw the rod to the light fixture

Steps ③



screw the mini screw nut to fix the straight tube with a hexagonal socket wrench

Steps ⑤



1. Install the lamp shade
2. Install the light bulb (bulb not included)