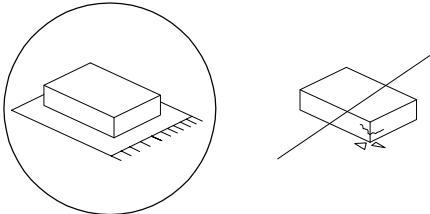

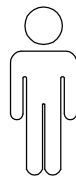
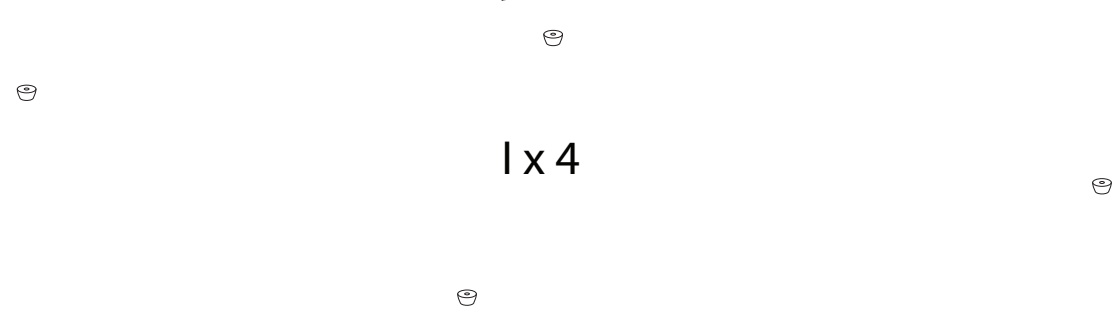
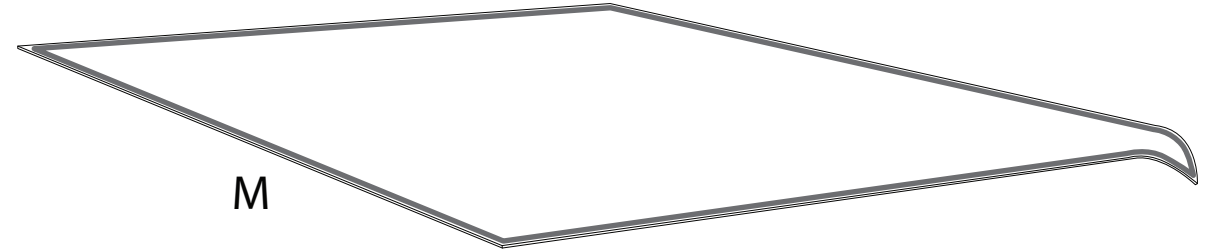
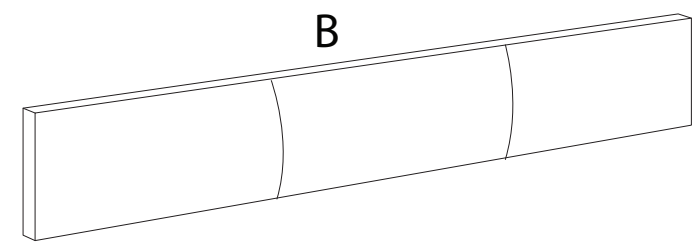
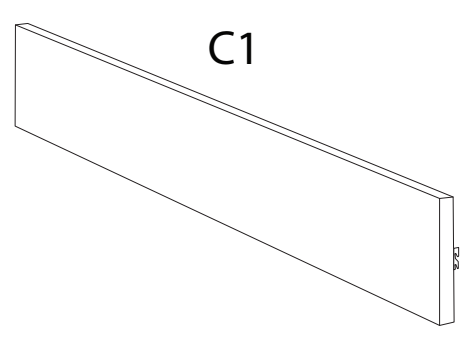
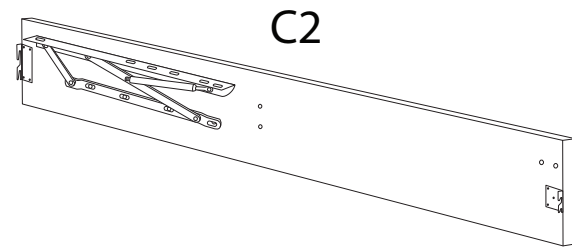
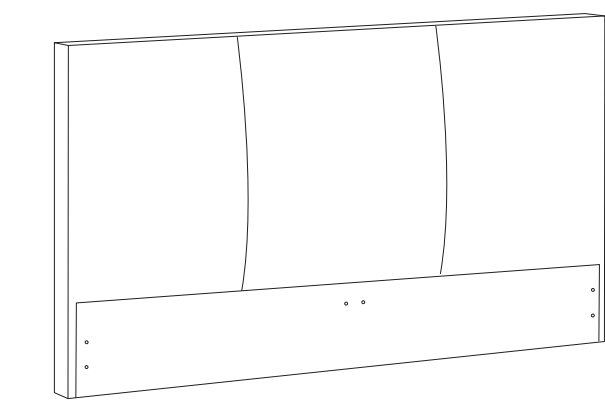
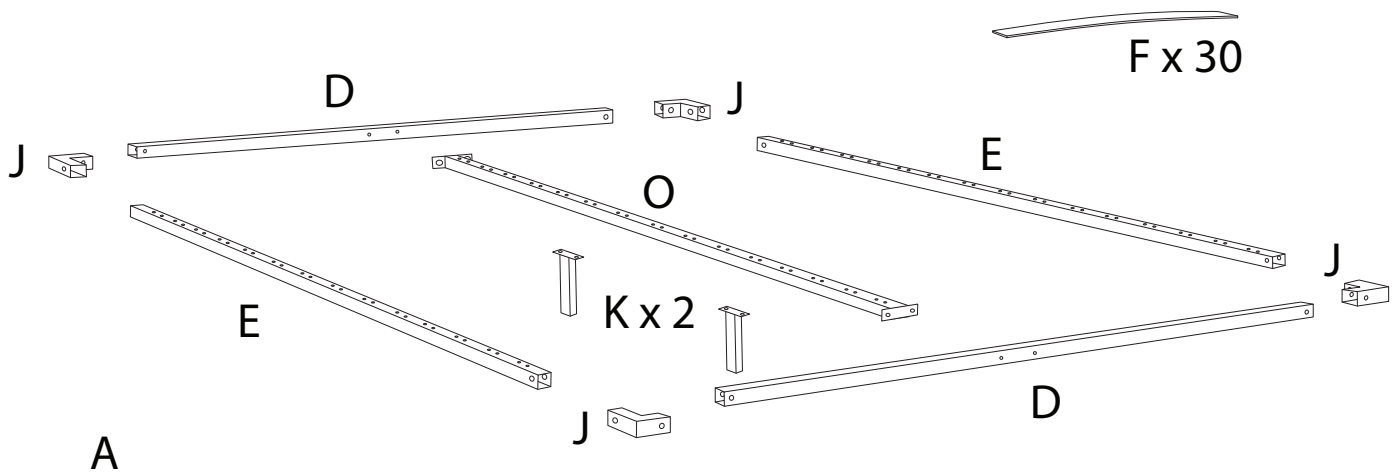
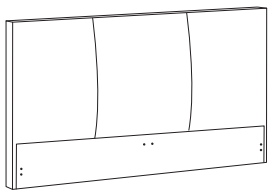
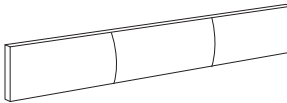
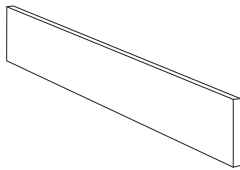
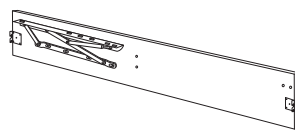

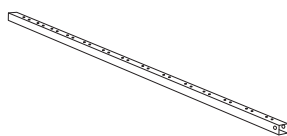

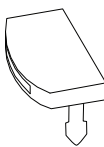
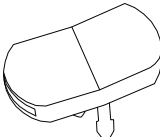


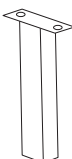
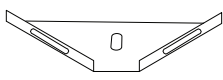
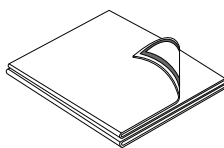
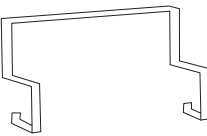
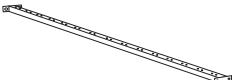

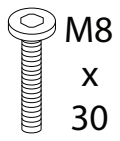

		<p>60'</p>
		
		<p>2</p>



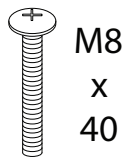
<p>A</p>  <p>x 1</p>	<p>B</p>  <p>x 1</p>	<p>C1</p>  <p>x 1</p>	<p>C2</p>  <p>x 1</p>	
<p>D</p>  <p>x 2</p>	<p>E</p>  <p>x 2</p>	<p>F</p>  <p>x 30</p>	<p>G</p>  <p>x 30</p>	
<p>H</p>  <p>x 15</p>	<p>I</p>  <p>x 4</p>	<p>J</p>  <p>x 4</p>	<p>K</p>  <p>x 2</p>	
<p>L</p>  <p>x 2</p>	<p>M</p>  <p>x 1</p>	<p>N</p>  <p>x 1</p>	<p>O</p>  <p>x 1</p>	<p>P</p>  <p>x 1</p>

1



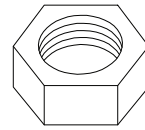
x 16

2



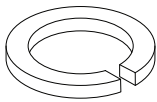
x 14

3



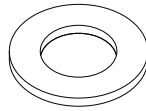
x 14

4



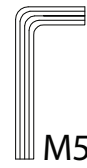
x 8

5



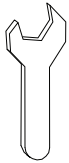
x 8

6



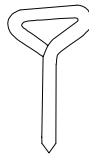
x 1

7



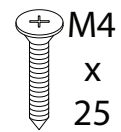
x 1

8



x 1

9



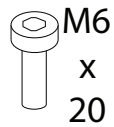
x 4

10a



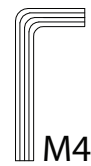
x 8

10b



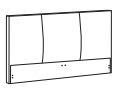
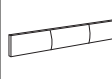



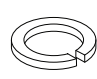
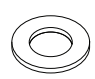

x 8

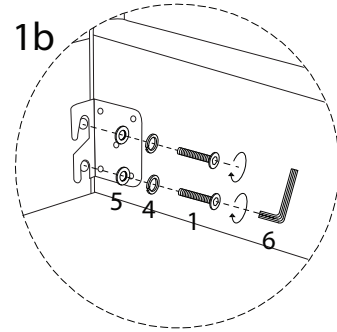
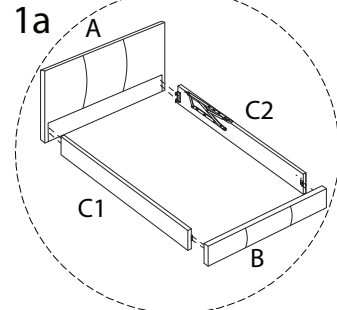
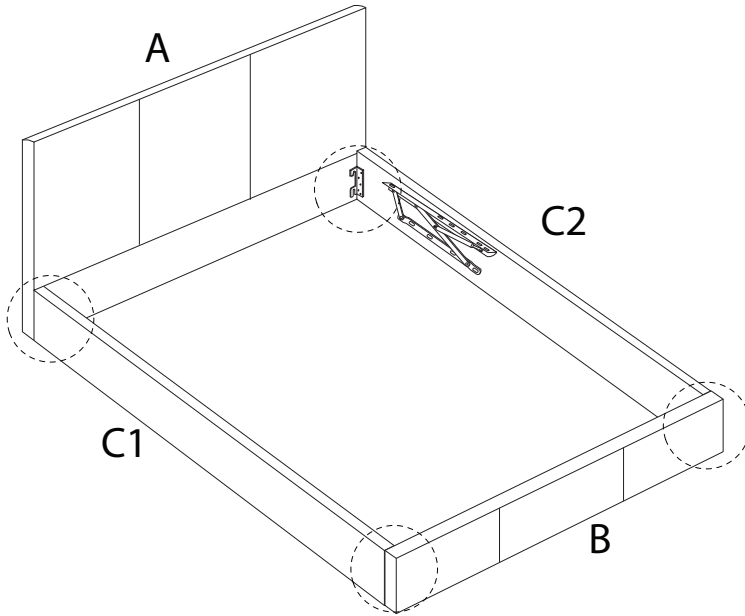
11



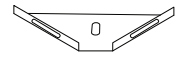
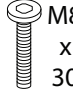

x 2

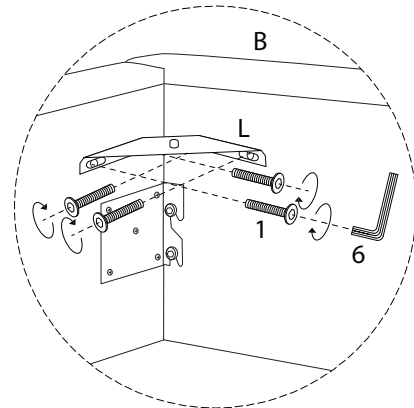
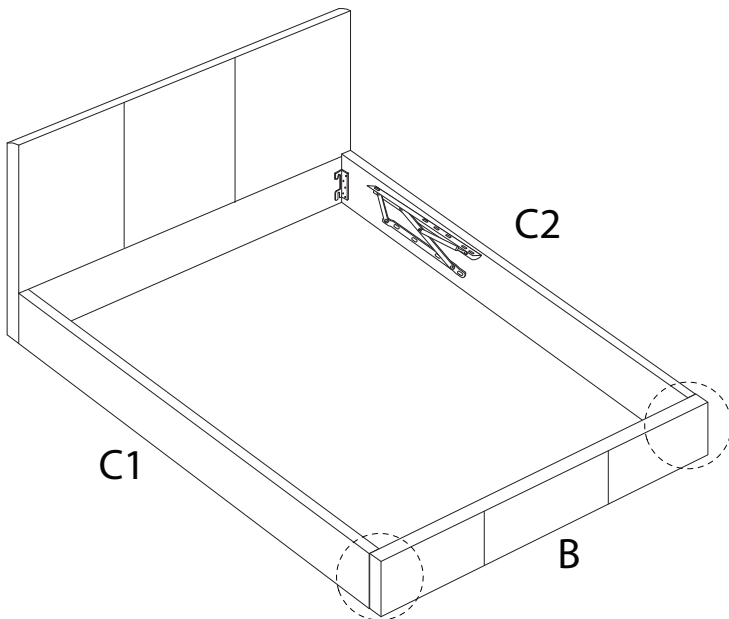
1

A  x 1	B  x 1	C1  x 1	C2  x 1	1  M8 x 30 x 8	4  x 8	5  x 8	6  M5 x 1
--	--	---	---	--	--	--	--


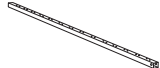






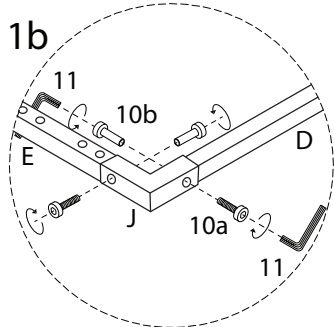
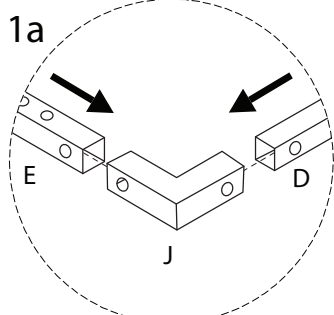
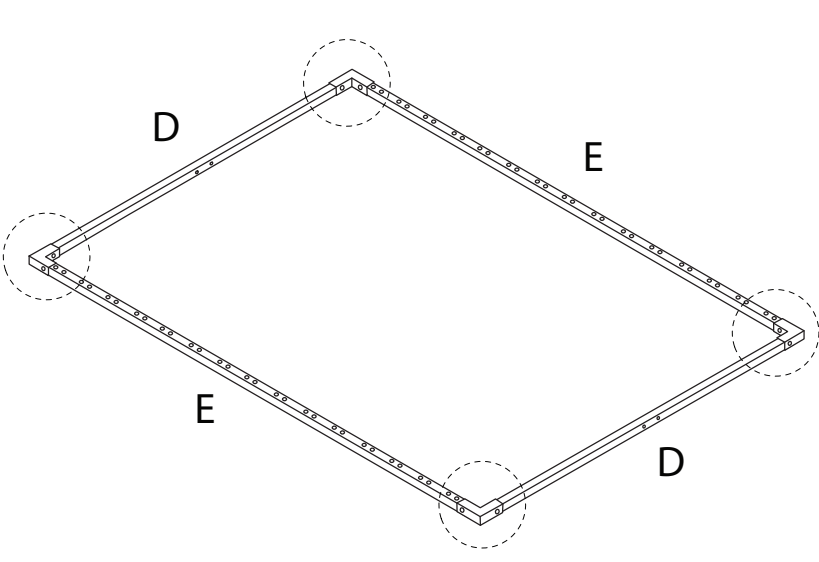
2

L  x 2	1  M8 x 30 x 8	6  M5 x 1
--	--	--


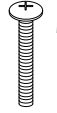
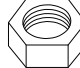
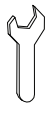
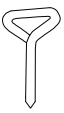


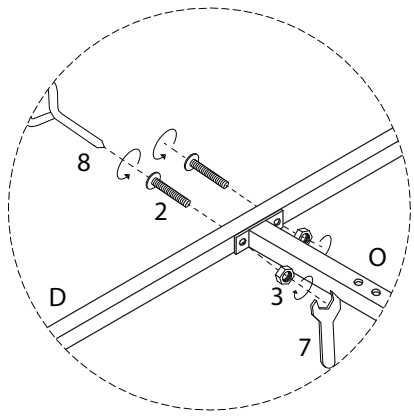
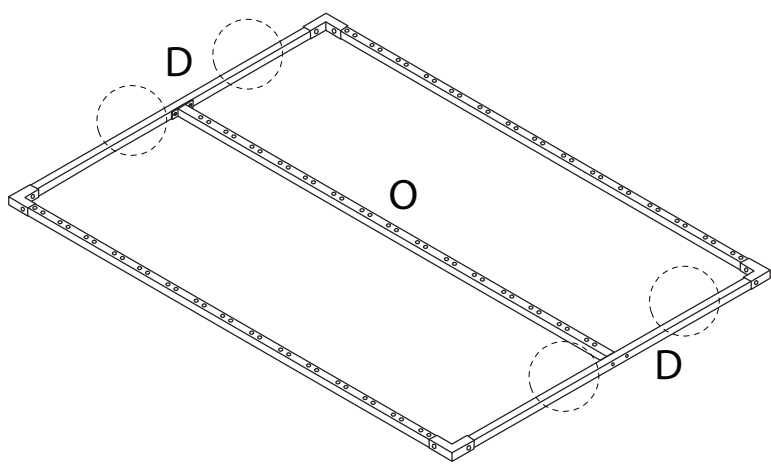
3

D  x 2	E  x 2	J  x 4	10a  M6 x 20 x 8	10b  M6 x 20 x 8	11  M4 x 2
---	---	---	--	---	--

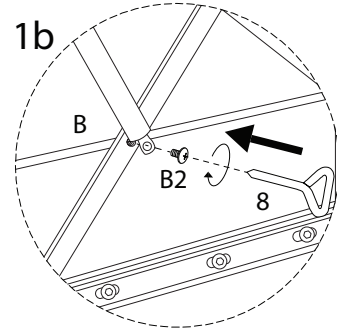
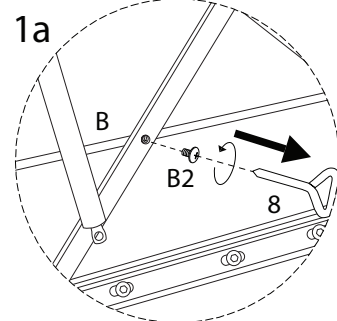
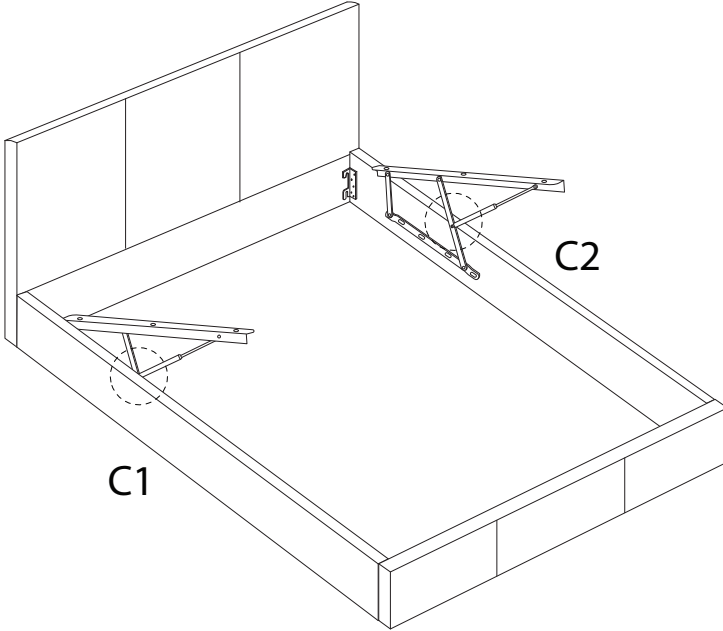
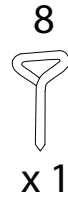


4

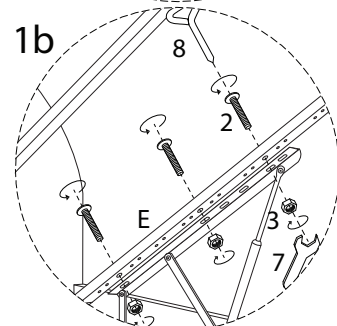
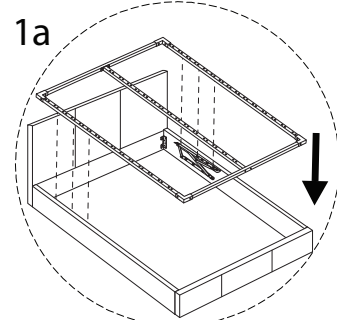
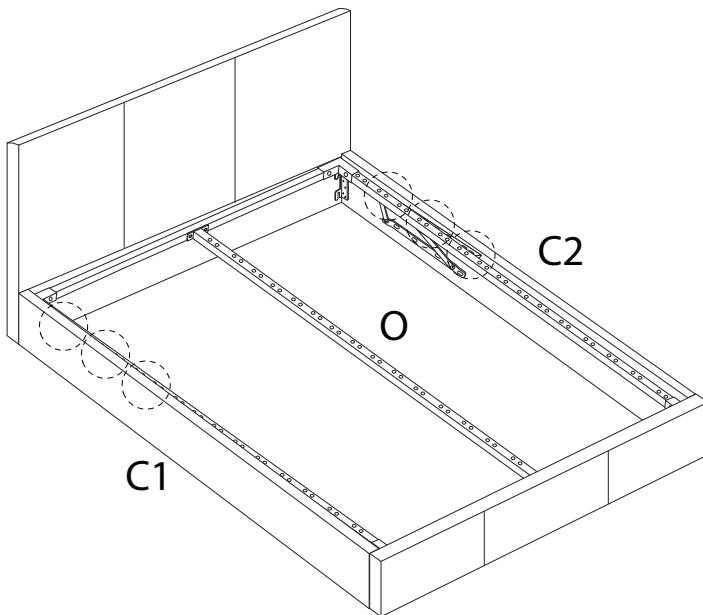
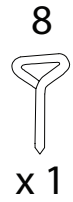
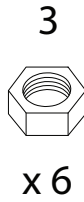
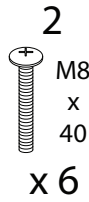
O  x 1	2  M8 x 40 x 4	3  x 4	7  x 1	8  x 1
---	---	---	---	---



5

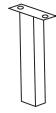


6



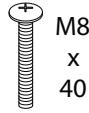
7

K



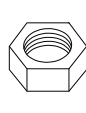
x 2

2



x 4

3



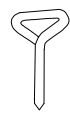
x 4

7

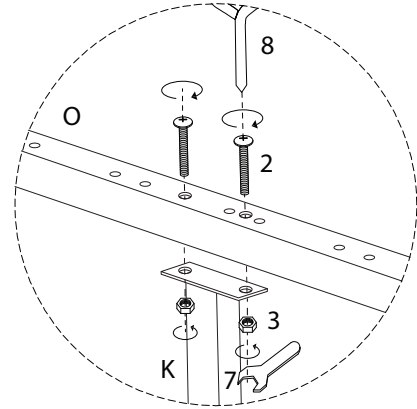
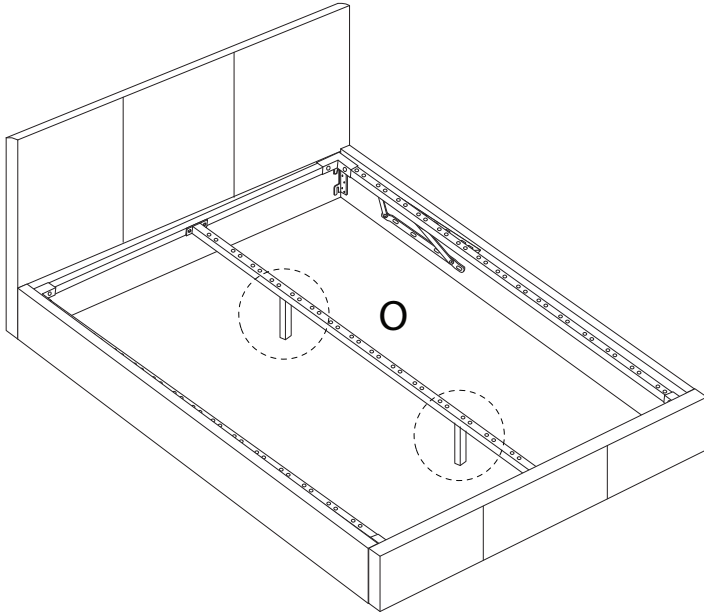


x 1

8

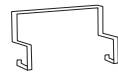


x 1

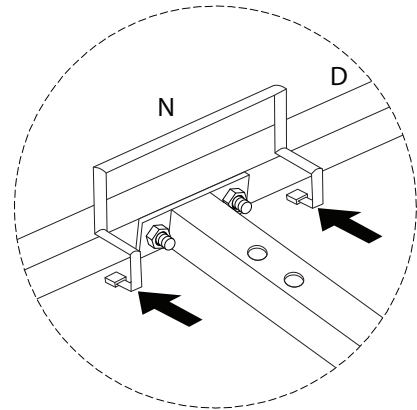
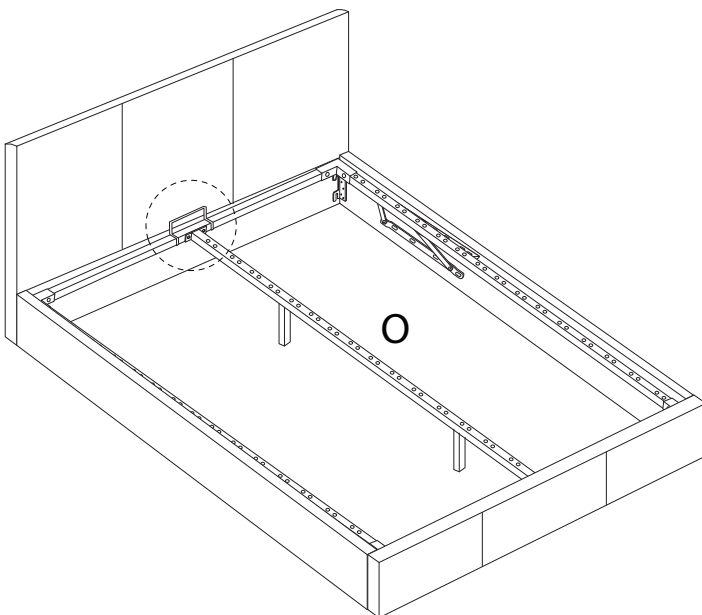


8

N



x 1

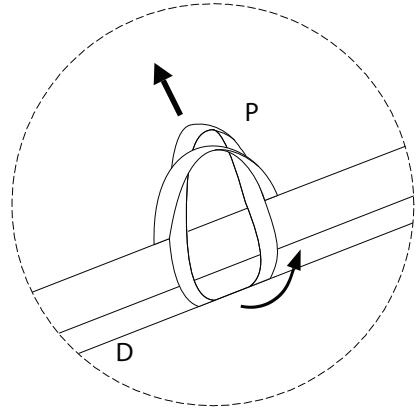
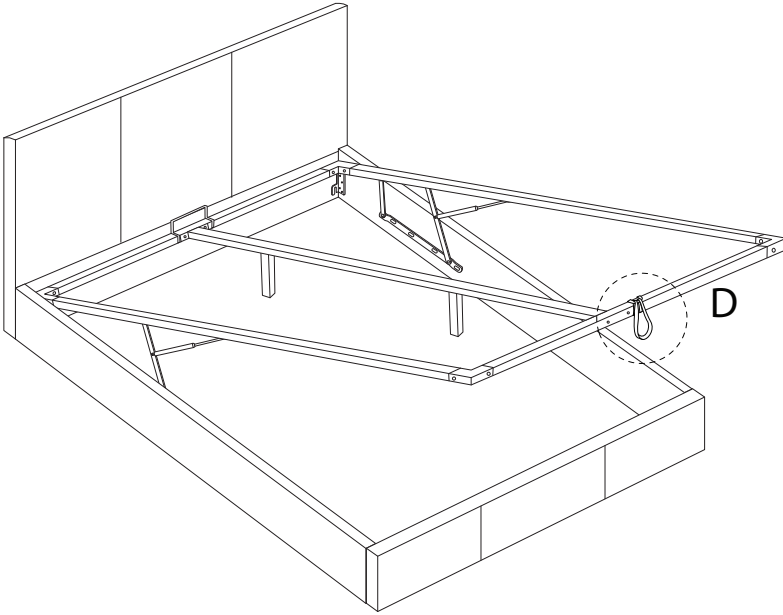


9

P



x 1



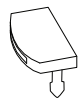
10

F



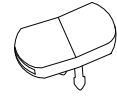
x 30

G

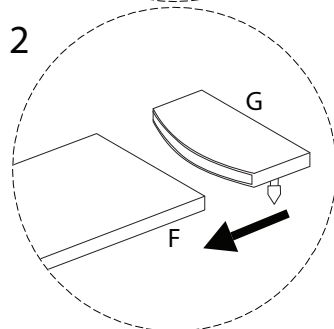
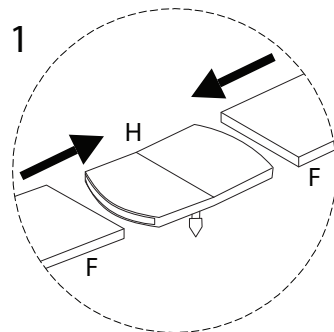
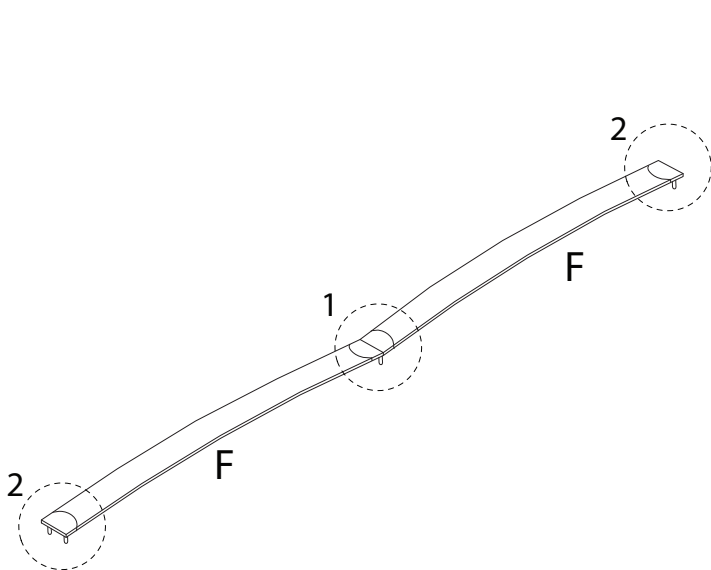


x 30

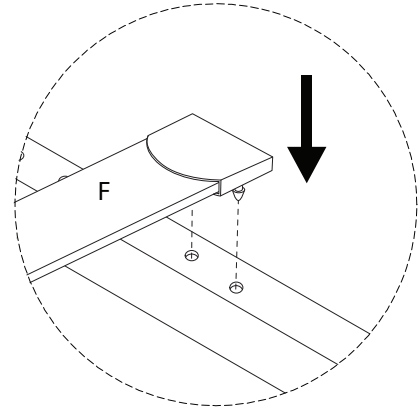
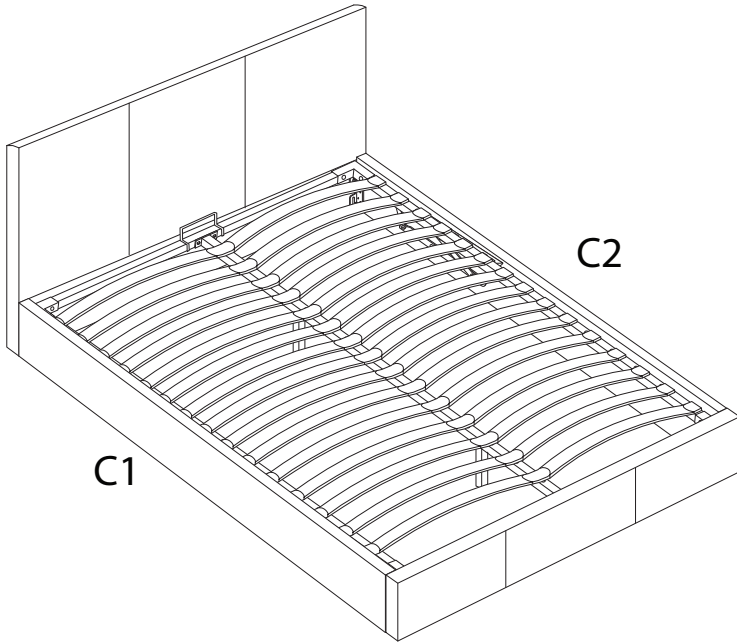
H



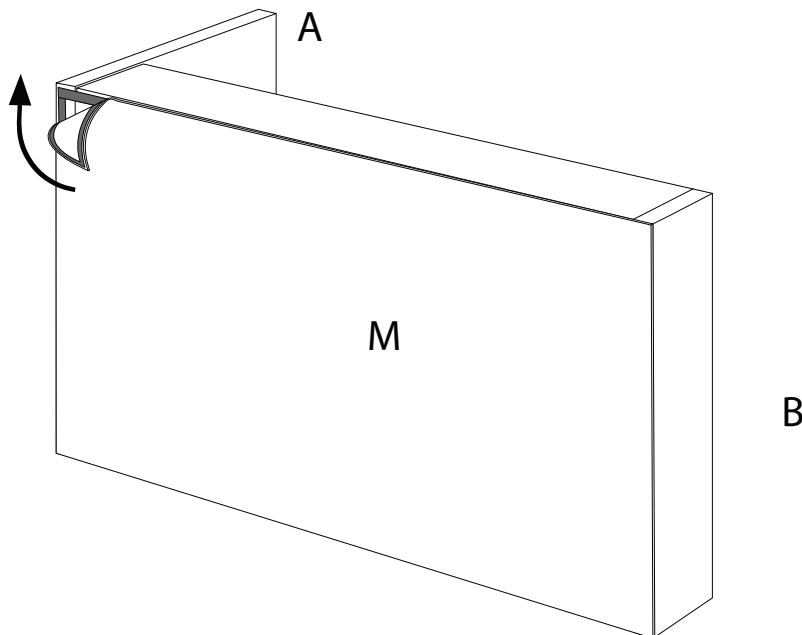
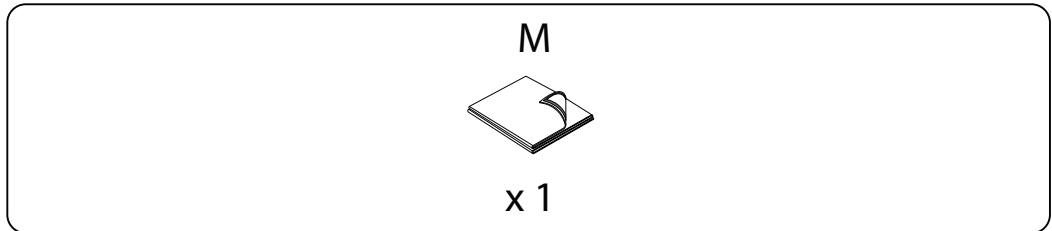
x 15



11



12



13

