

Ceiling Fan with Light

CAUTION
READ INSTRUCTIONS CAREFULLY FOR
SAFE INSTALLATION AND FAN OPERATION

Catalogue

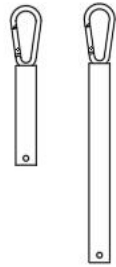
Safety Rules	3
Part List.....	4
Installation Preparation.....	5
Ceiling Installation.....	7
Fan Light Remote Control Manual.....	8

SAFETY RULES

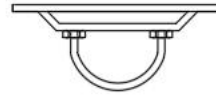
1. To reduce the risk of electric shock, connect the power supply after installation is completed.
2. The use of this fan light must comply with local electrical standards or national electrical standards.
3. To avoid personal injury, please wear gloves when operating the sharp edges of the fan.
4. Ceiling support structures must be installed firmly.
5. To avoid personal injury or damage to the fan or other items, please operate or clean the fan with caution.
6. When cleaning the fan or fan blades, do not use water or cleaning agents. A dry cloth or a slightly damp cloth is suitable for most cleaning tasks.
7. Pre-installation: Inspect rubber gaskets around housing and wire entries. Post-installation: Tighten cable gland compression nuts to prevent water ingress.
8. The installation diagram is for reference only.
9. Before installing this product, make sure to determine the installation plan and the weight the ceiling can bear.

PART LIST

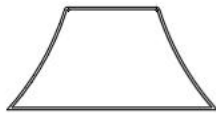
[①]



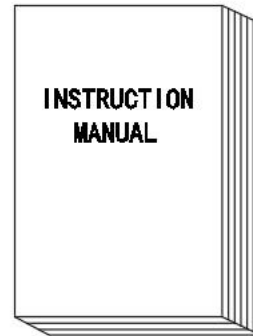
[④]



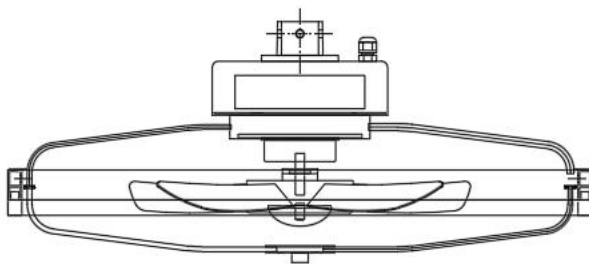
[②]



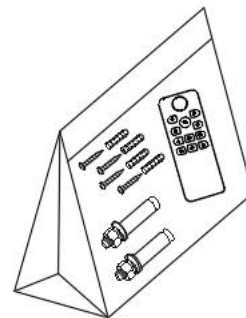
[⑤]



[③]



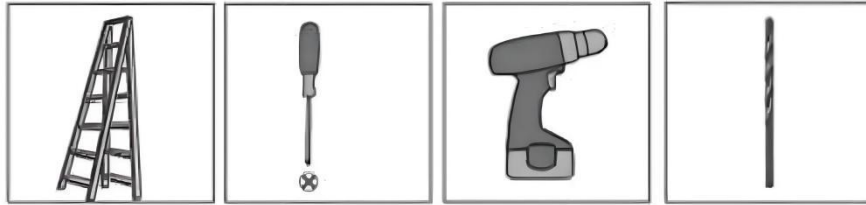
[⑥]



Name	QTY	Name	QTY
①Suspension Rod	2	④Ceiling Mounting Assembly	1
②Flared Cover	1	⑤Manual	1
③Fan lamp	1	⑥Hardware Kit	1

INSTALLATION PREPARATION

Tools Required



Ladder

Screwdrivers

Power Drill
(Optional)

Drill Bit
(Optional)

What to Expect with Your Installation Conditions

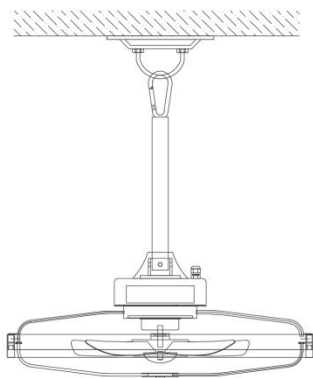


Easy installation can be performed by one person

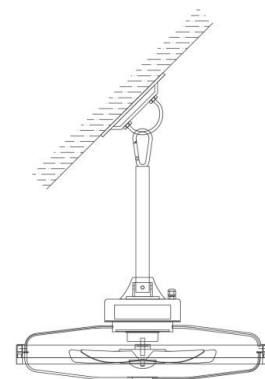


Available for slanted ceiling angle less than 90°

Mounting Options



Ceiling installation

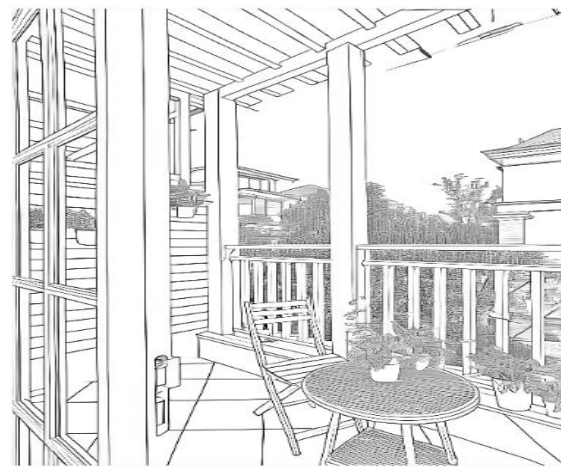


Installation for Slanted Ceiling

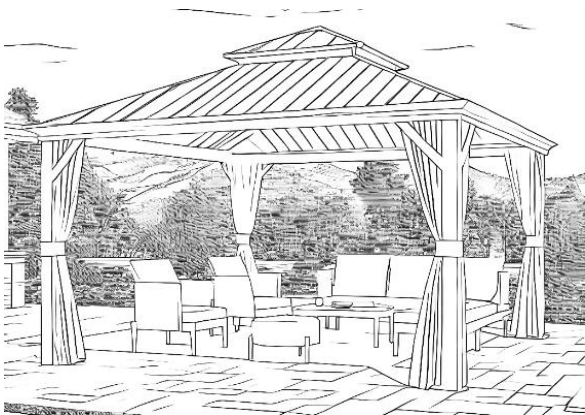
Pre-Installation Requirements



Porch



Balcony



Pavilion



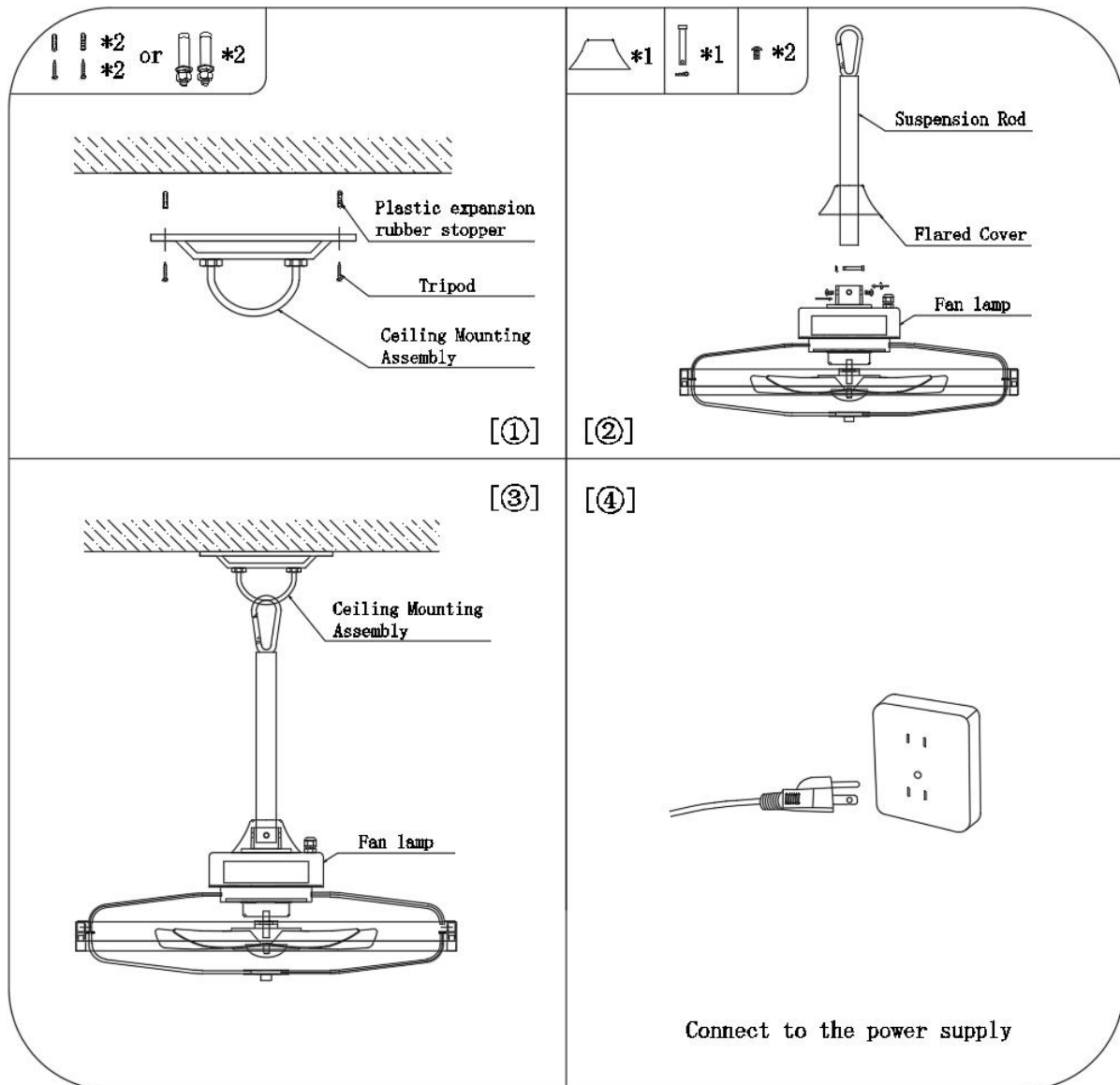
Terrace

1. Suitable Areas: This waterproof fan light is designed for outdoor and semi-outdoor installation, including but not limited to enclosed/semi-enclosed balconies, covered porches, outdoor gazebos, terraces, and under-eave locations. While rated for rain exposure, we recommend selecting an installation site that provides protection from direct sunlight and prolonged direct rain.

2. Installation Surface: Must be installed on a solid concrete or solid wood ceiling to ensure load-bearing safety.

3. Power Requirements: To ensure electrical safety and optimal performance, the power outlet must be within 5 meters of the device, allowing the power plug to be directly inserted. The use of an extension cord is prohibited.

CEILING INSTALLATION



1. Drill holes at marked positions on the wall according to the mounting points of the Ceiling Mounting Assembly; insert plastic expansion rubber stoppers, then secure the assembly to the wall using self-tapping screws. Alternative method for specific scenarios: Blast screws may be substituted where applicable (e.g, reinforced concrete walls). Ensure structural rigidity.
2. Slide the Flared Cover onto the Suspension Rod, then insert the rod into the mounting hub of the Fan Lamp. Lock into place with the pin connector and secure by tightening the screws.
3. Hang the Fan Lamp onto the Ceiling Mounting Assembly.
4. Only after confirming that the installation is correct can the power be connected for normal use.

Note: The product graphics in this manual are for reference only and the actual product

FAN LIGHT REMOTE CONTROL MANUAL

TMALL (2.4G) dimming and color mixing fan controller



Battery type



This device is pre-configured at the factory and generally requires no additional operation.

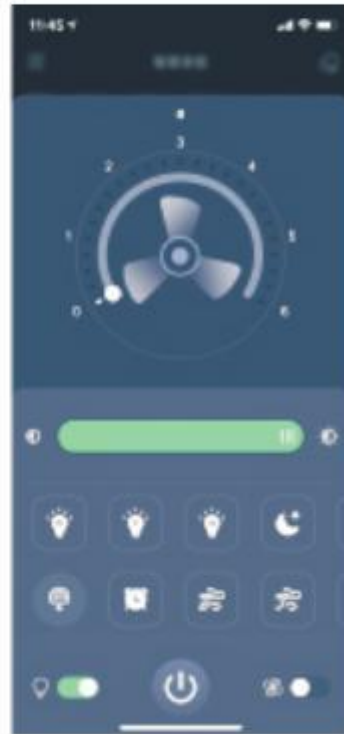
If a mismatch occurs, please follow the steps below to re-pair:

1. Turn on the device.
2. Press and hold the "SETUP" button for about 3 seconds until you hear a prompt tone "beep".
3. Wait for the receiver to emit two "beep" confirmation sounds, which indicates successful pairing.
4. If pairing fails, turn off the power, wait for one minute, and repeat the above steps.

Warning Sign

If remote control can not be effectively controlled, please check the battery.

Scan and download the APP



1. Scan the QR code to download and install the app.
2. Turn on the Bluetooth of your mobile phone, then open the APP and click the "+" button on the APP interface, enter your customised device name and click "Confirm", then click the device you just added to enter the control interface.
3. Turn on the fan power. Within 5 seconds of the fan powering on, tap the bluetooth button. If the light blinks or the fan beeps, it means that the phone has been successfully paired with the fan, and you can later control the fan via the app shortly afterward.