

ASSEMBLY INSTRUCTION

ITEM # : BED SIDE TABLE

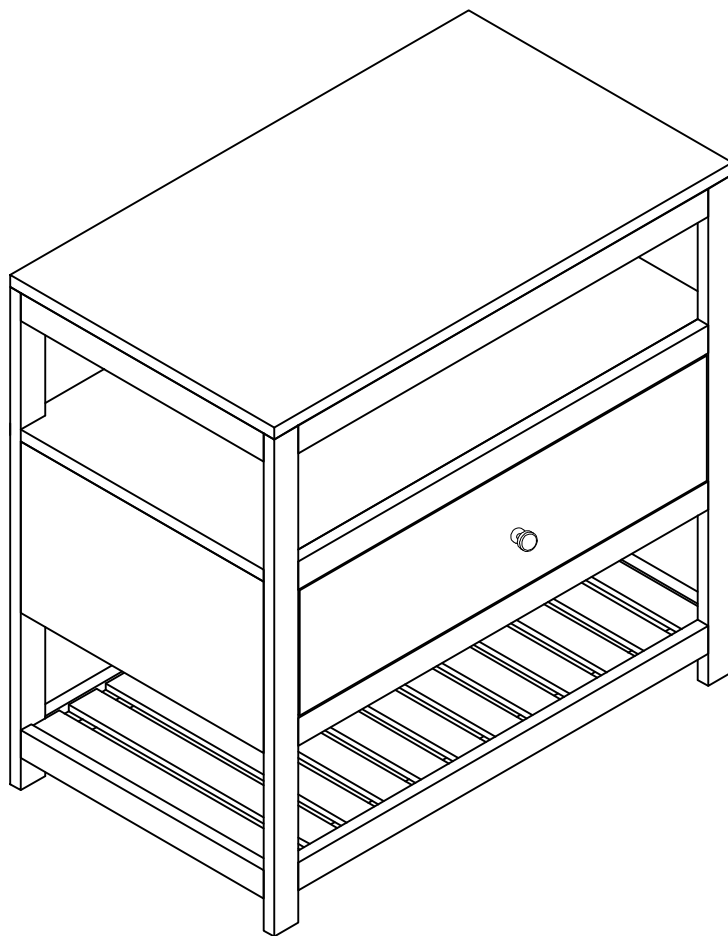
Thank you for purchasing this quality Product. Be sure to check all packing material carefully for small parts, which may have come loose inside carton during shipment identify and count all parts and compare with the parts list below.

ASSEMBLY INSTRUCTION :

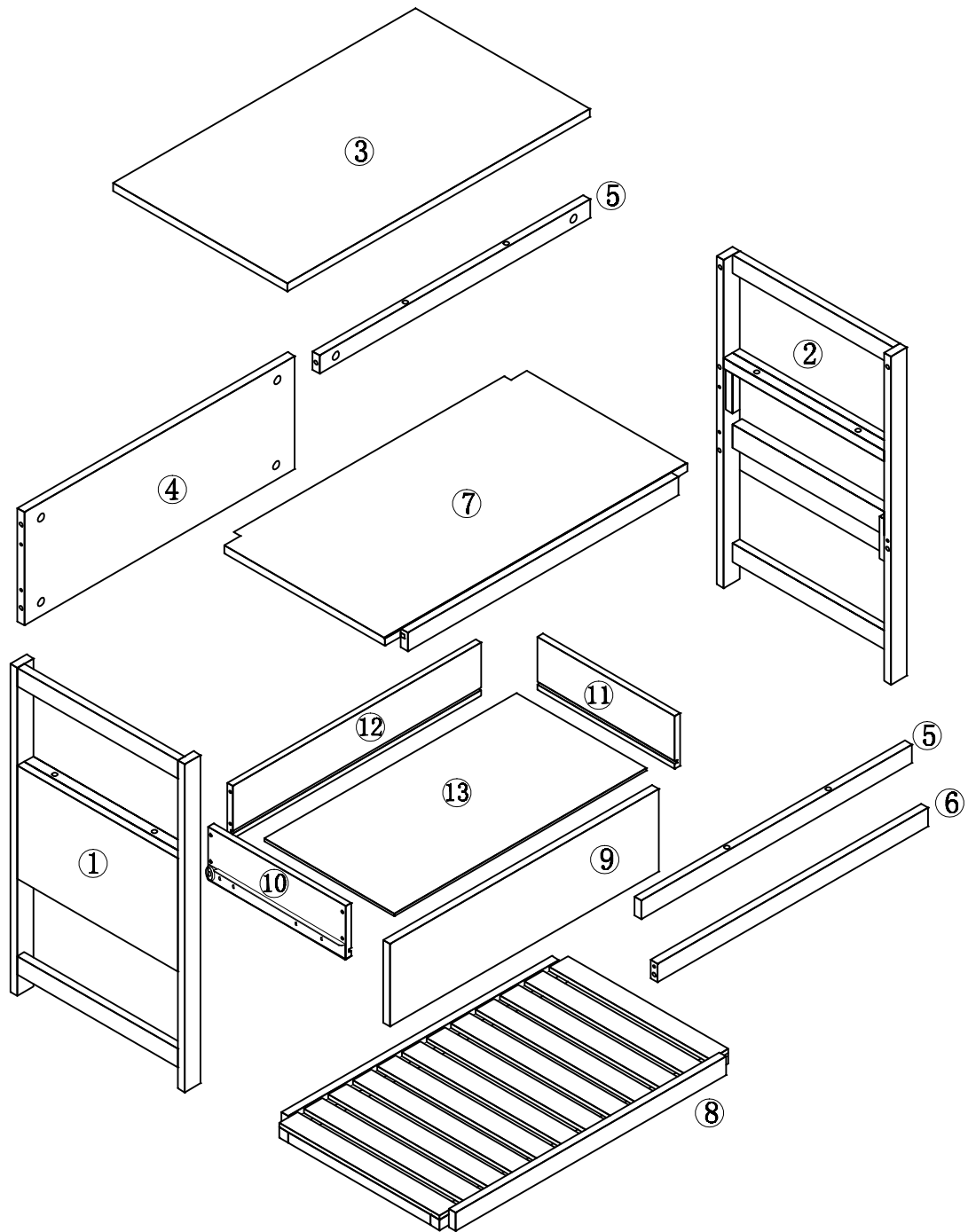
1. Remove hardware from box and sort by size.
2. Please check to see that all hardware and parts are present prior start of assembly.
3. Please follow attached instruction in the same sequence as numbered assure fast and easy assembly.

WARNING !



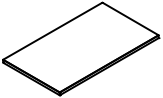
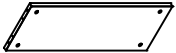
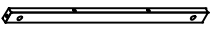

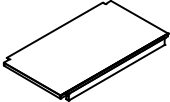

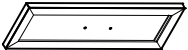



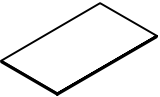
1. Don't attempt to repair or modify parts that are broken or defective. Please contact the store immediately.
2. This product is for home use only and not intended for commercial establishments.
3. Two persons are required for assembly.
4. Approximate assembly time 1/2 hours.
5. Component parts and fittings contained in the box. Please sort out all parts before you begin to assemble the item. This is to make sure you always use the correct part.
6. It is **STRONGLY RECOMMENDED** that you **ANCHOR** this product. Tipping furniture can cause serious injuries and death. To prevent your furniture from tipping forward it is strongly recommended that you securely attach this product to a wall or other solid surface, using the anchor straps provided appropriate fixings.

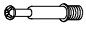







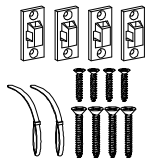


Detail View - BED SIDE TABLE

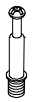


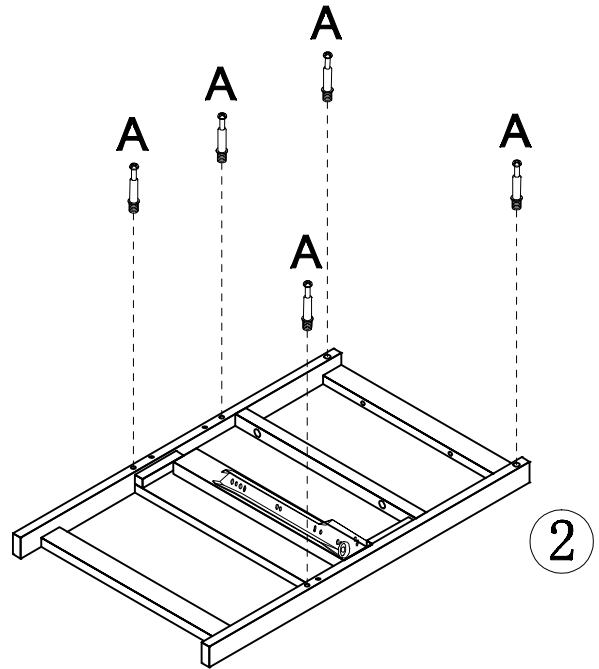
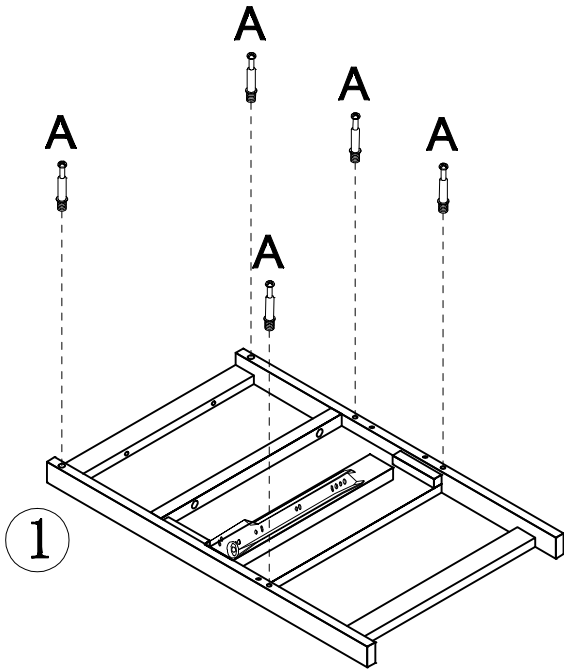
Part List

No.	Component	Q'ty
①	 Left side box	1
②	 Right side box	1
③	 panel	1
④	 Backplane	1
⑤	 Front and rear cross plate	2
⑥	 Front middle cross plate	1
⑦	 Laminate	1
⑧	 Cabinet base	1
⑨	 Drawer panell	1
⑩	 Left side board of drawer	1
⑪	 Drawer right side panel	1
⑫	 Drawer back plate	1
⑬	 Drawer bottom plate	1

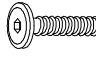



No.	Component	Q'ty
A	 $\phi 6 \times 35 \text{mm}$ Three in one bolts	10
B	 $\phi 14.5 \times 12 \text{mm}$ Three in one lock	10
C	 $\phi 8 \times \phi 4 \times 30 \text{mm}$ screw	10
D	 $\phi 8 \times \phi 4 \times 25 \text{mm}$ screw	12
E	 $\phi 8 \times 30 \text{mm}$ Wood dowel	14
F	 $\phi 5/32" \times 20 \text{mm}$ screw	1
H	 handle	1
J	 $\phi 12 \times 1/4" \times 25 \text{mm}$ Hex-Head bolts	4
K	 4 mm Allen Wrench	1
L	 Anti fall hardware	1set

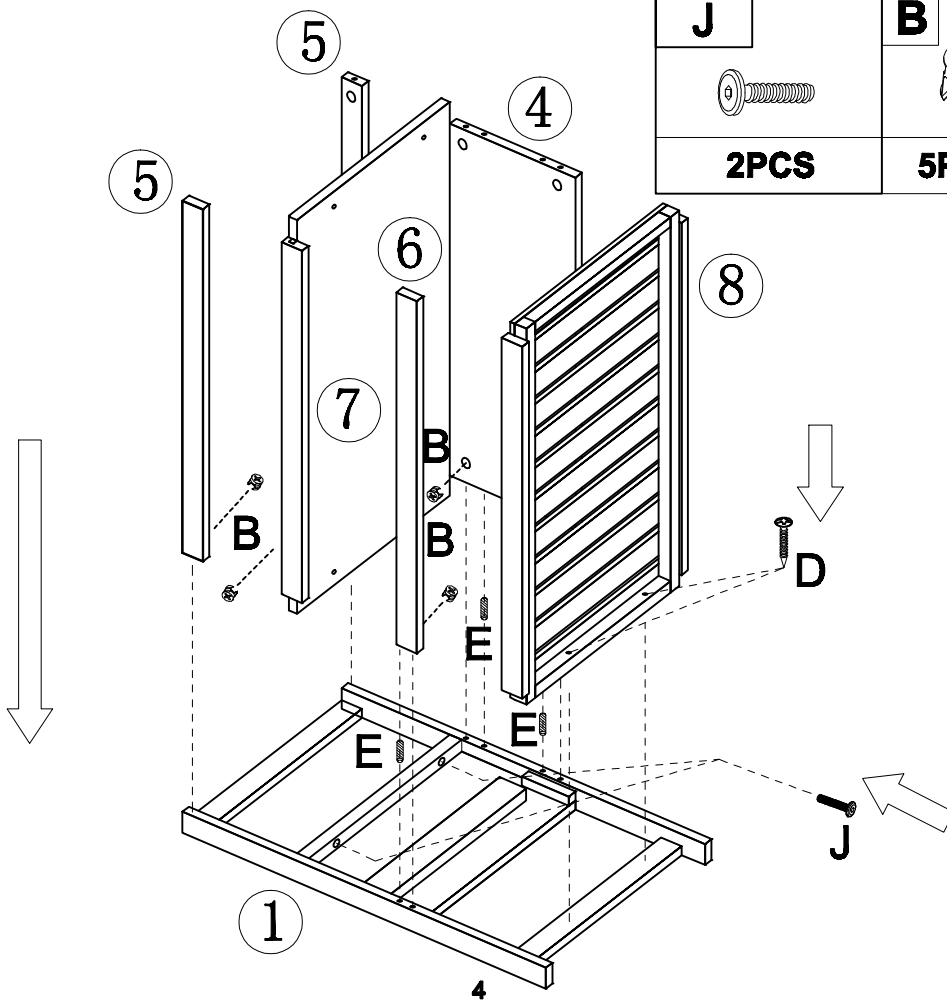
STEP:1

A	
10PCS	

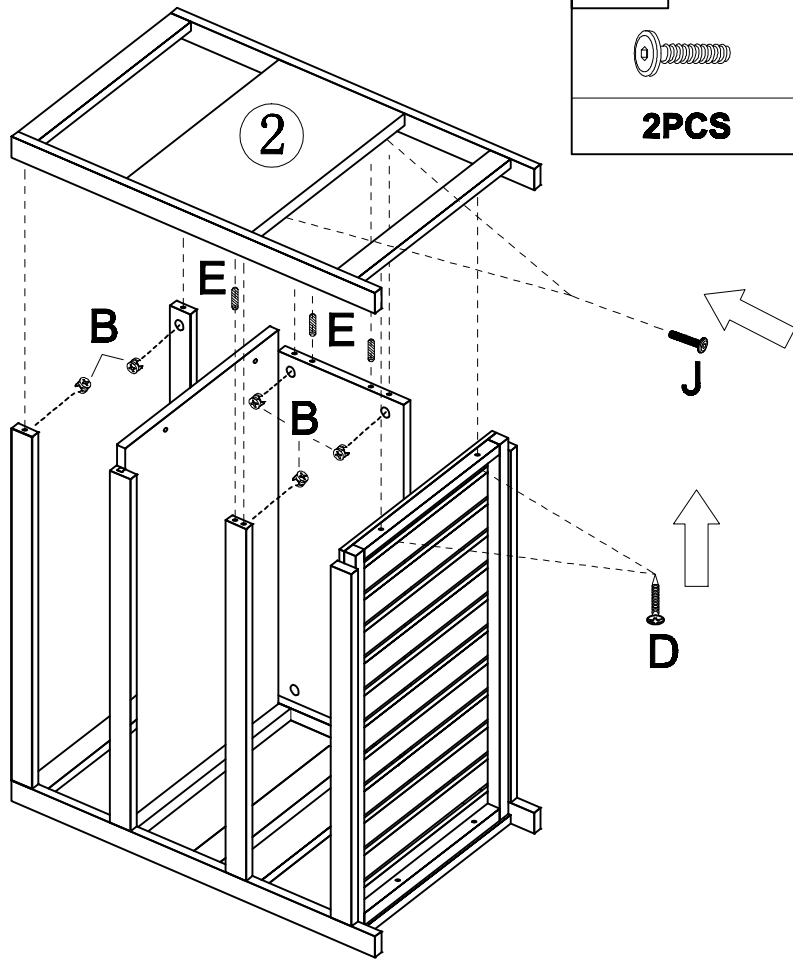




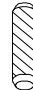

STEP:2

J	B	E
		
2PCS	5PCS	3PCS
D		
		
2PCS		

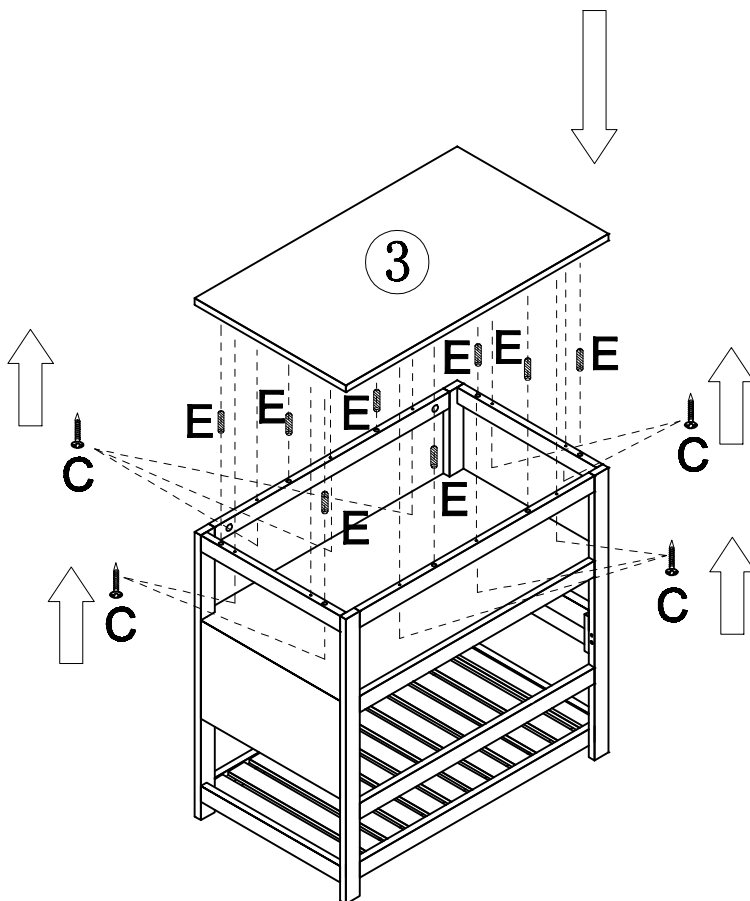




STEP:3



J	B	E
		
2PCS	5PCS	3PCS
		D
		
		2PCS

STEP:4



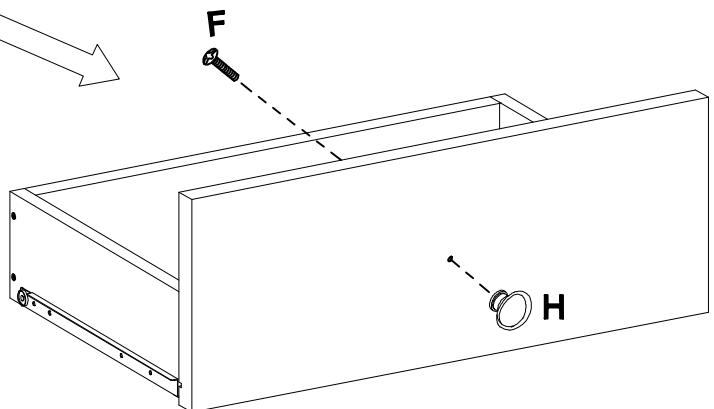
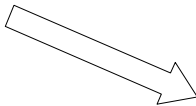
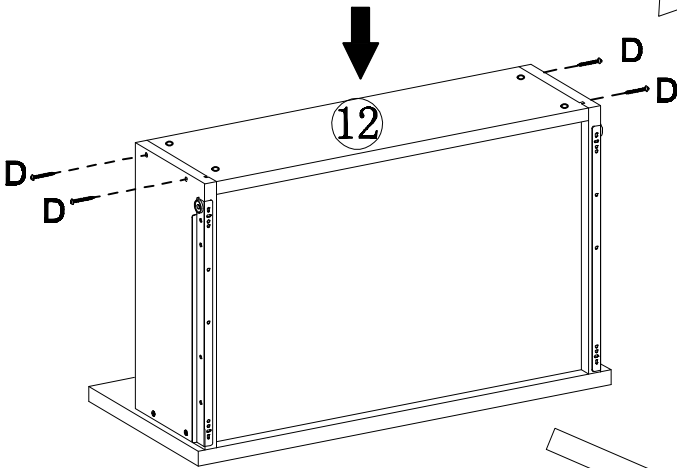
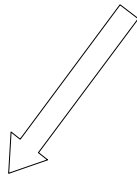
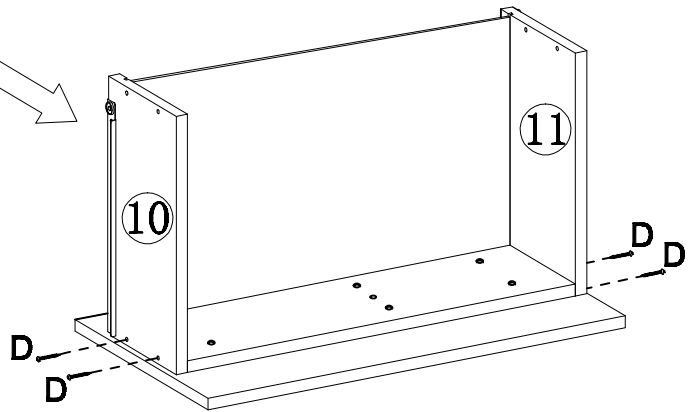
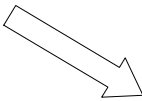
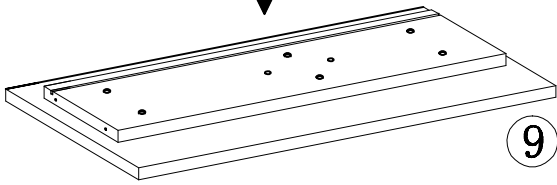
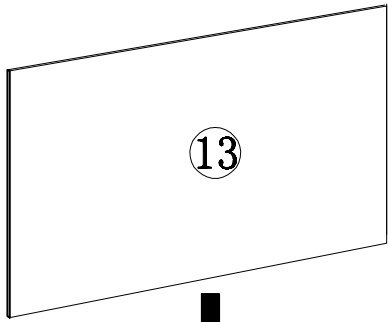
E	C
	
8PCS	10PCS

STEP:5

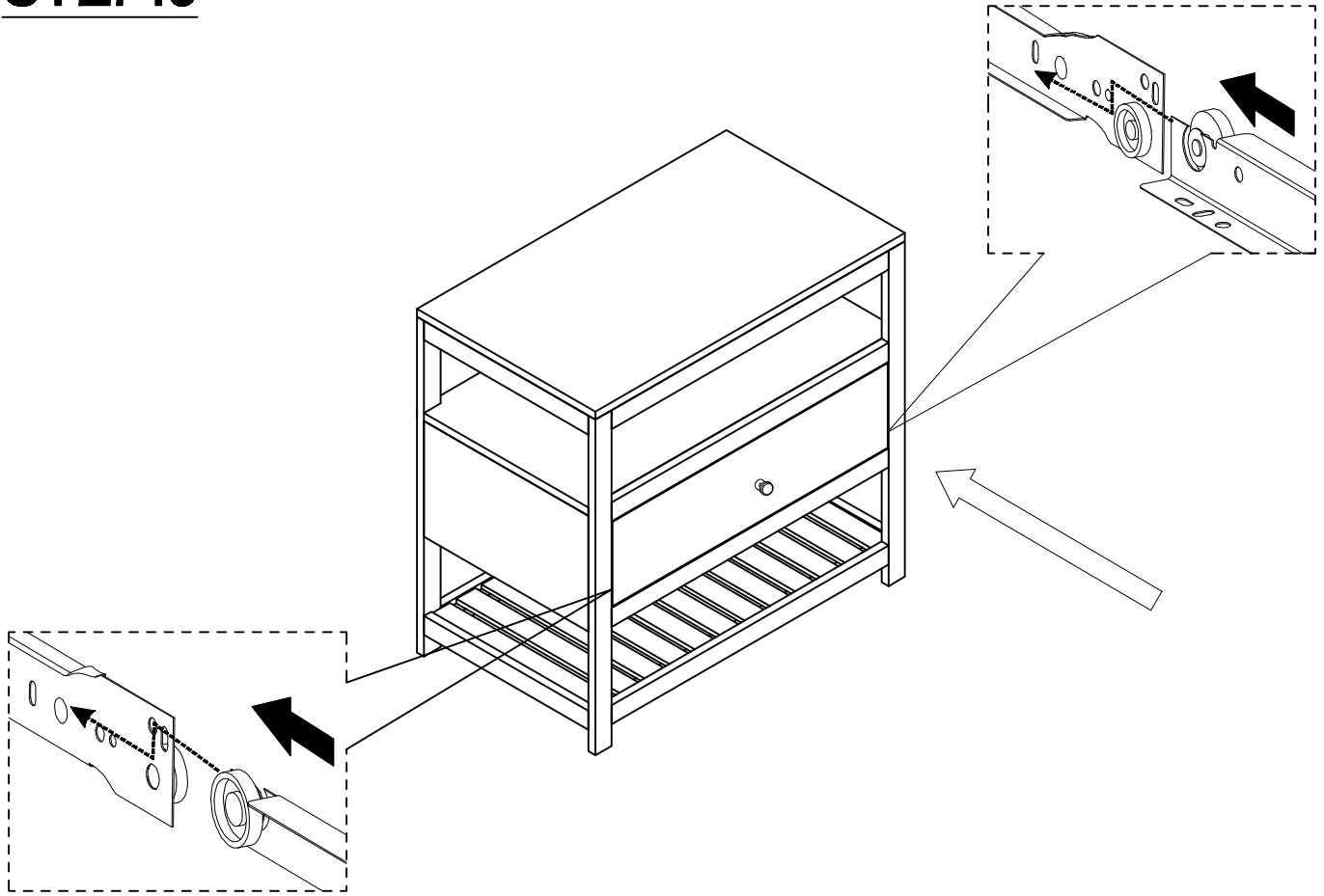
D



8PCS



STEP:6



STEP:7

