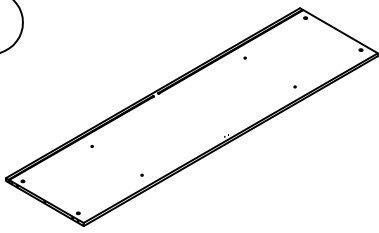
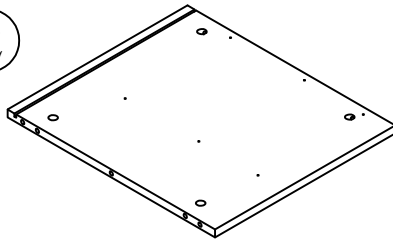


①



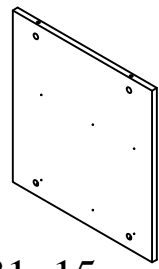
1700x450x15 x1

②



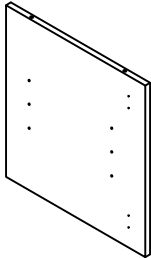
390x450x15 x1

③



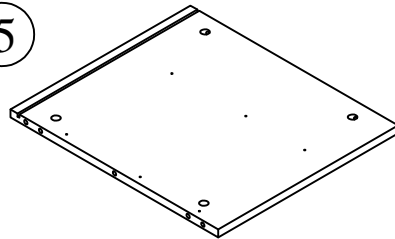
460x431x15 x1

④



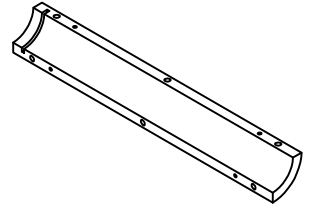
460x431x15 x1

⑤



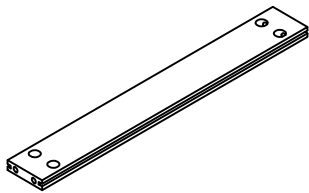
390x450x15 x1

⑥



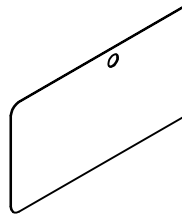
450x71x25 x4

⑦



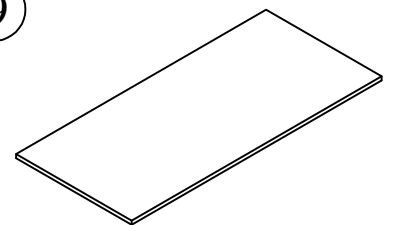
460x60x15 x1

⑧



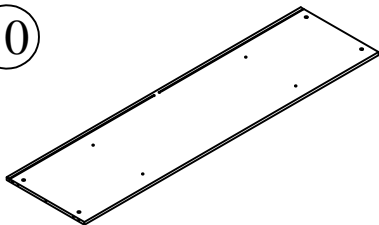
865x470x3 x2

⑨



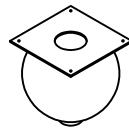
867x400x12 x1

⑩



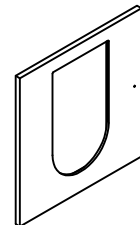
369x80x15 x1

⑪



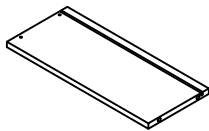
120x120x120 x5

⑫



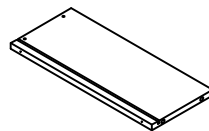
454x429.5x15 x1

⑬



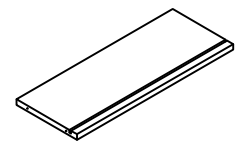
350x150x12 x4

⑭



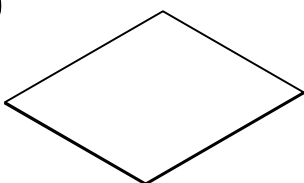
350x150x12 x4

⑮



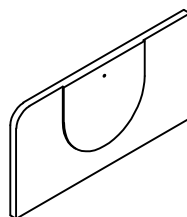
387x150x12 x4

⑯



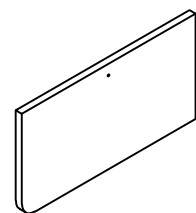
348x397x3 x4

⑰



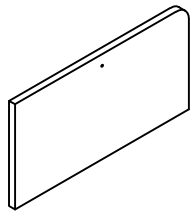
225.5x430x15 x1

⑱



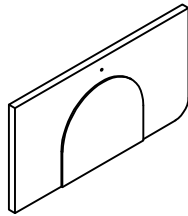
225.5x430x15 x1

19



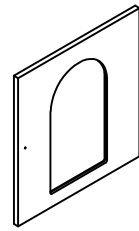
225.5x430x15 x1

20





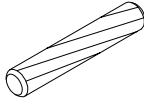










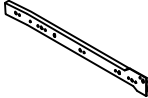


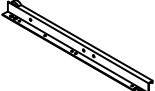
225.5x430x15 x1

21

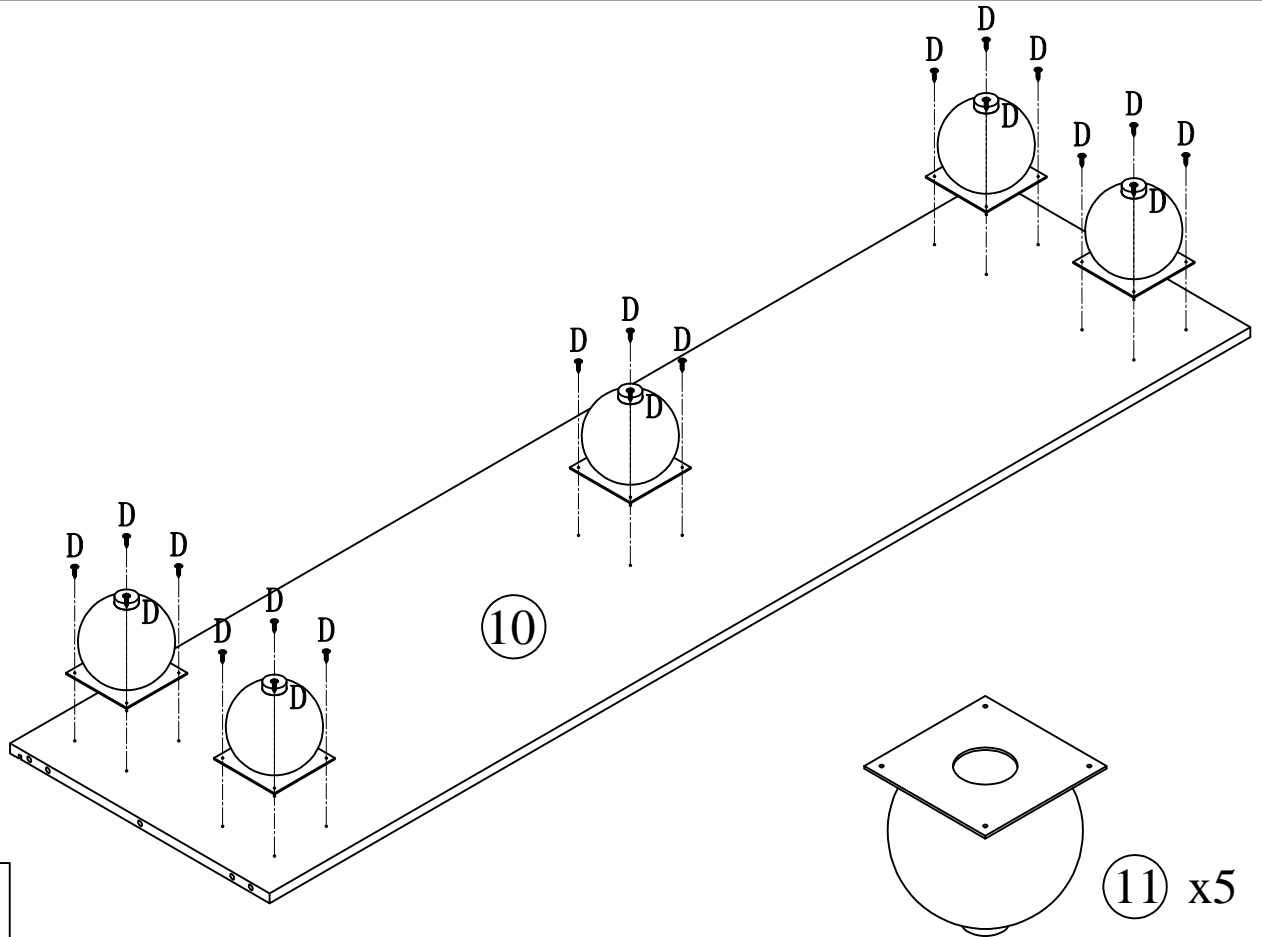



454x429.5x15 x1

Hardware

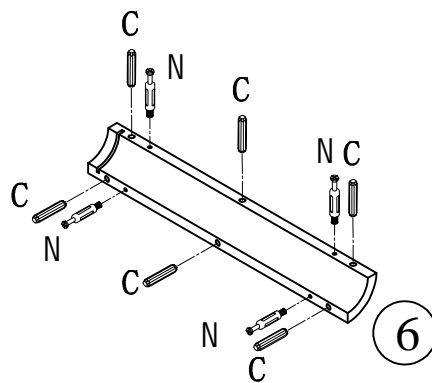
		 Φ8*30	 Φ3.5*14	
A×12	B×44	C×24	D×86	E×4
	 Φ3.5*35	 Φ4*18		
F×4	G×16	H×6	J×6	K×8
				
L×1	N×16	O×16	CL×4	CR×4
				
DL×4	DR×4			



1



D

Φ3.5*14
20pcs

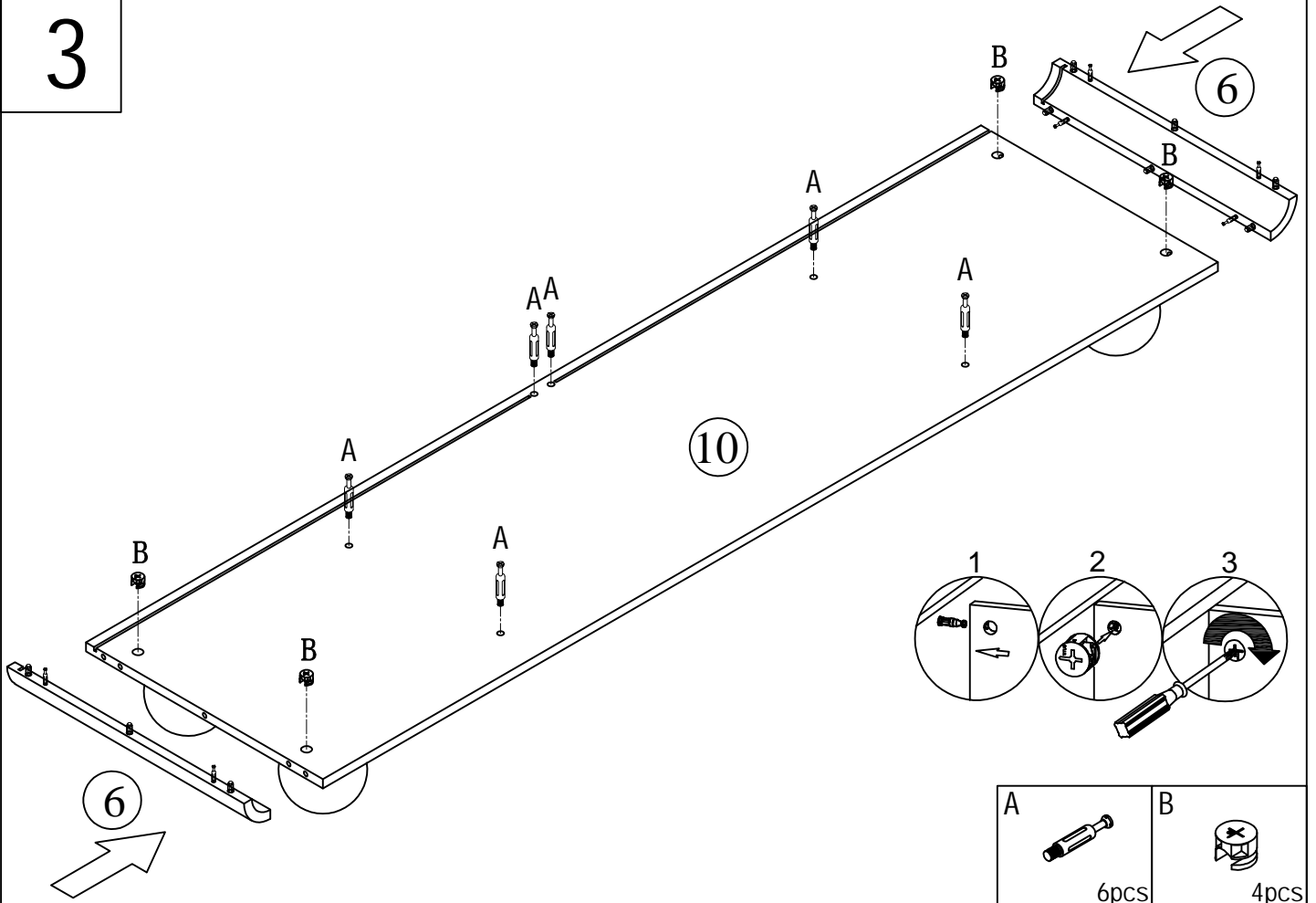
2





C  Φ8*30 24pcs	N  16pcs
--	---

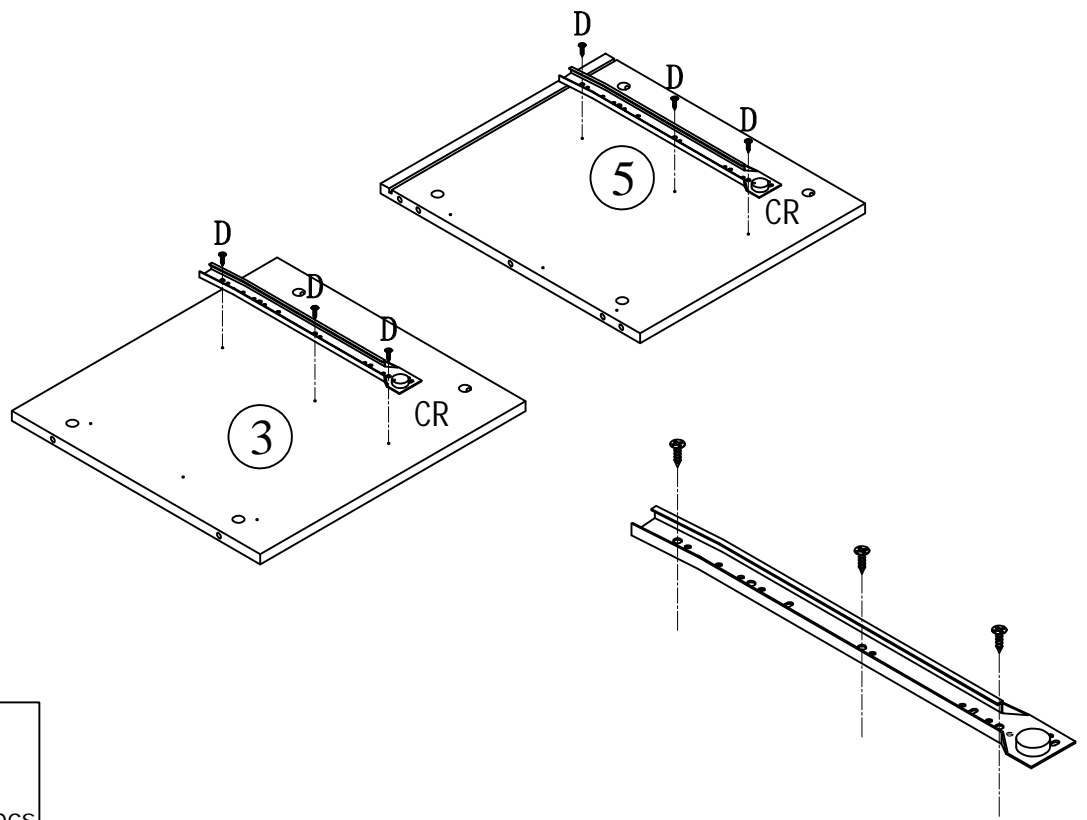
x 4



3



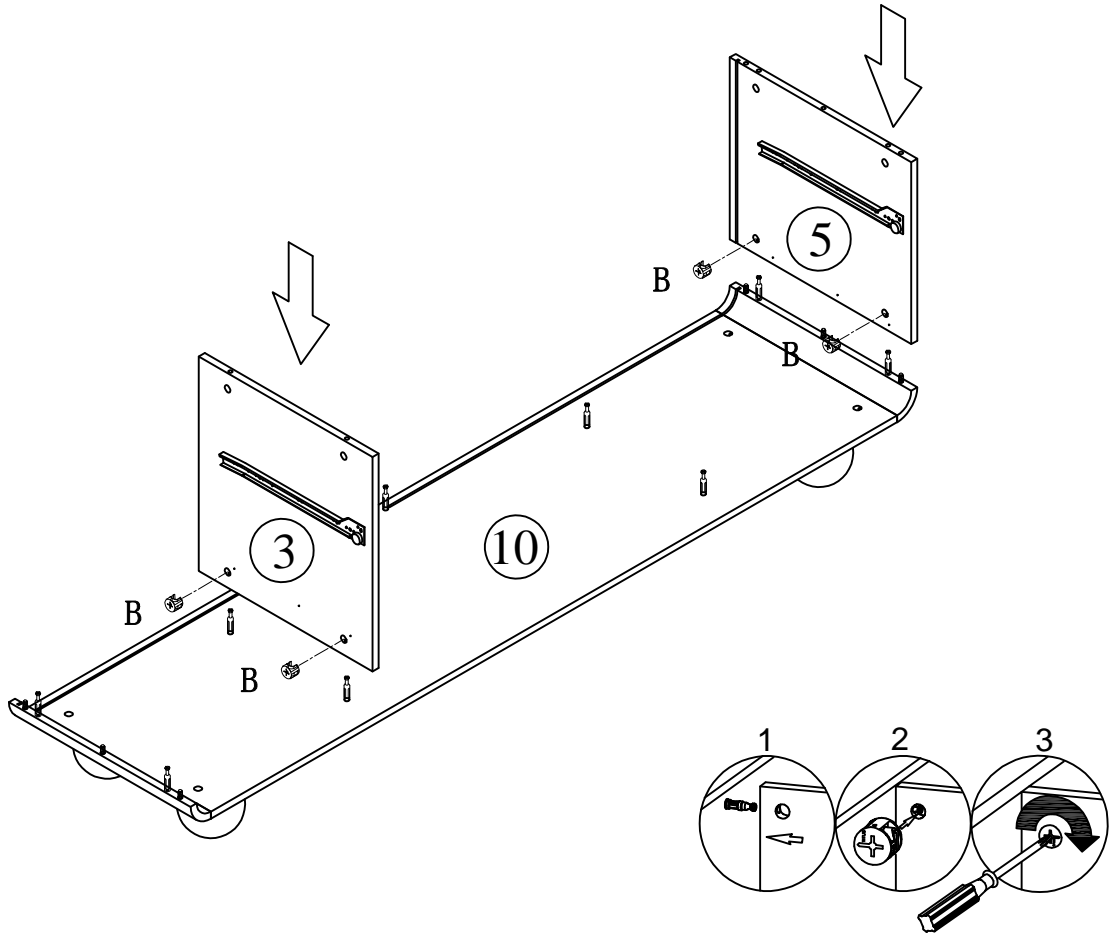
A	B
	
6pcs	4pcs

4

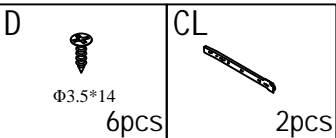
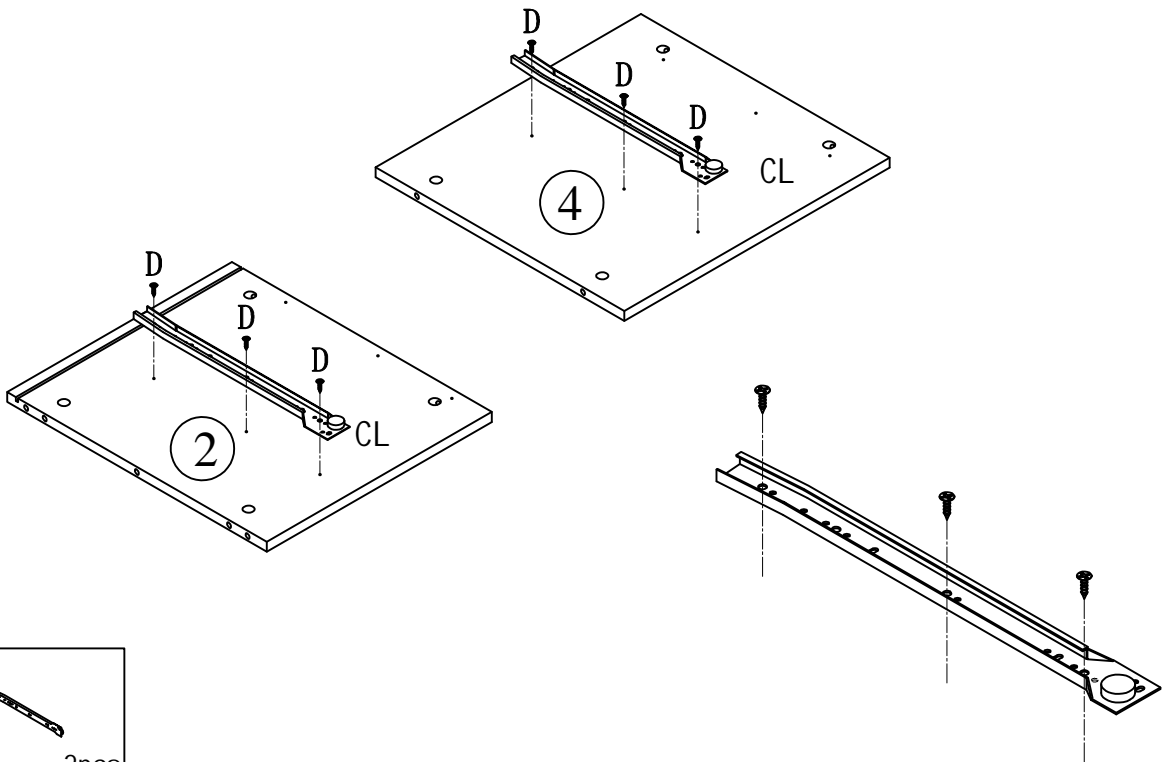


D	CR
	
Φ3.5*14 6pcs	2pcs

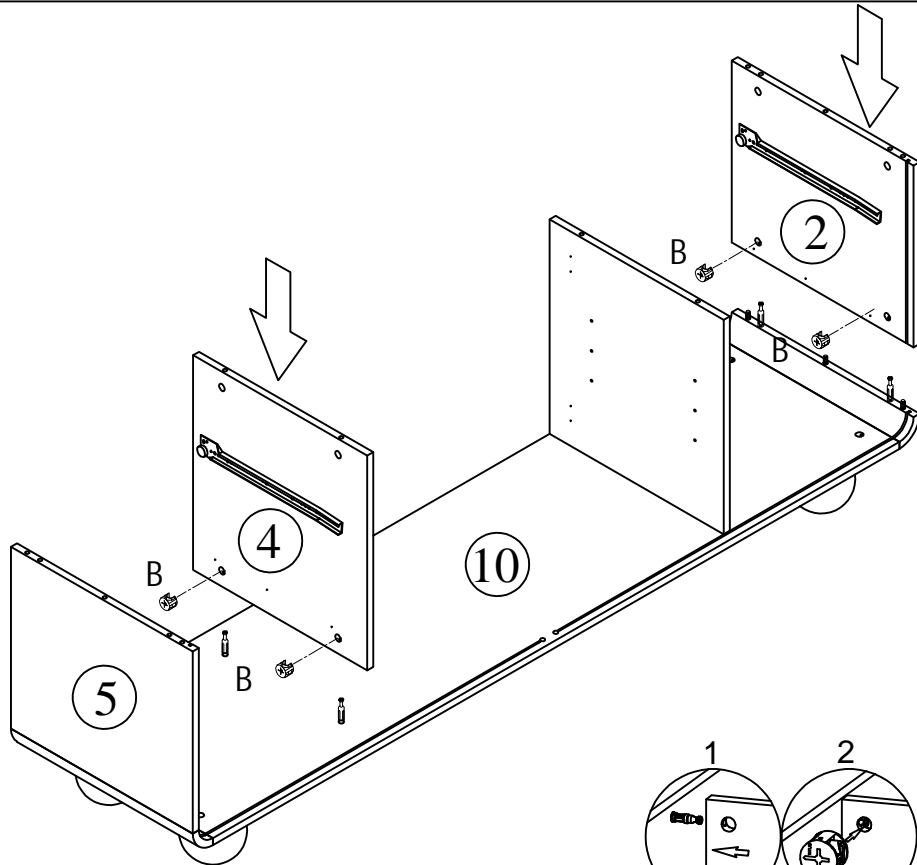
5



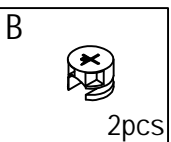
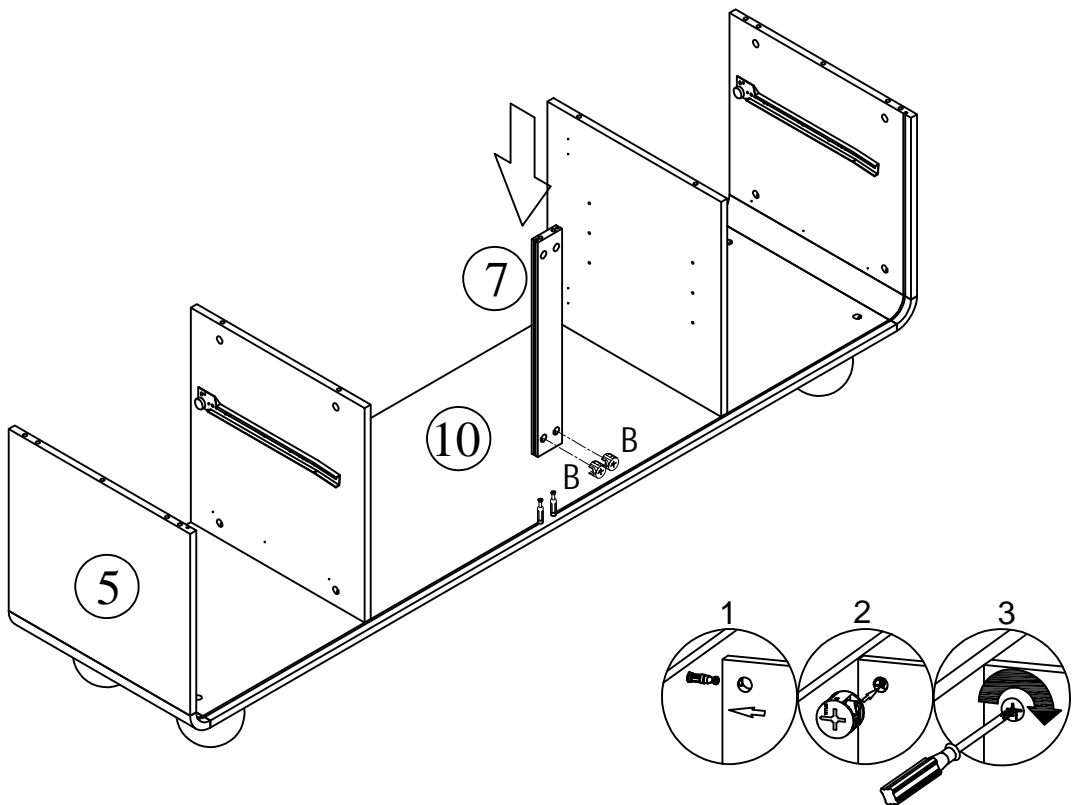
6



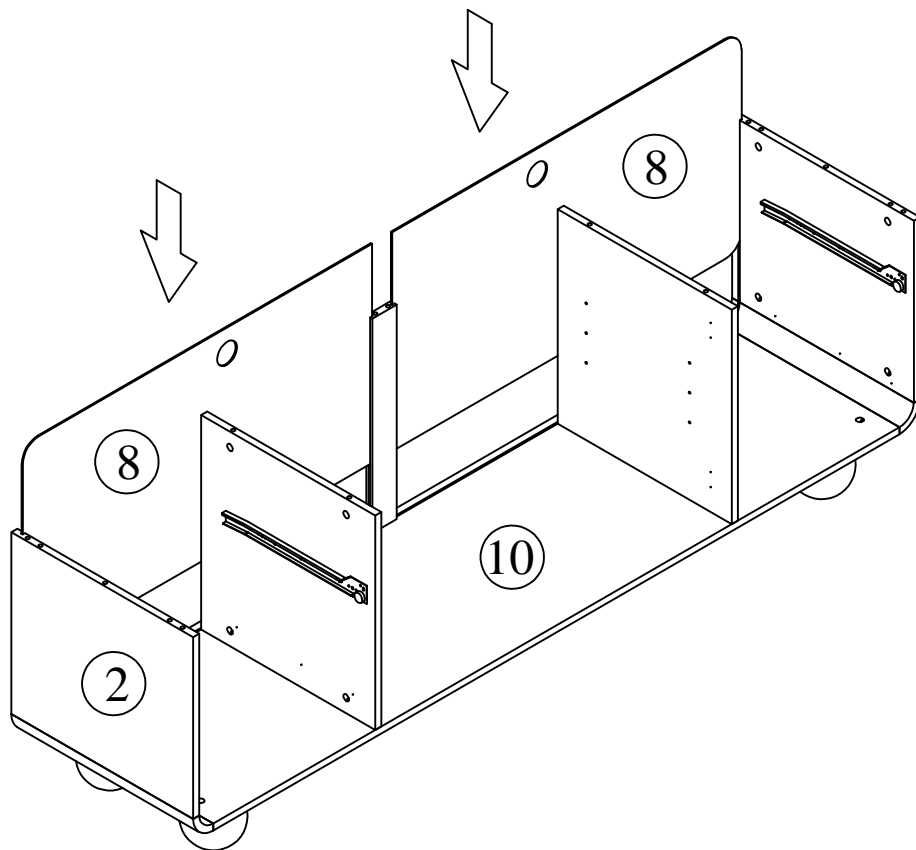
7



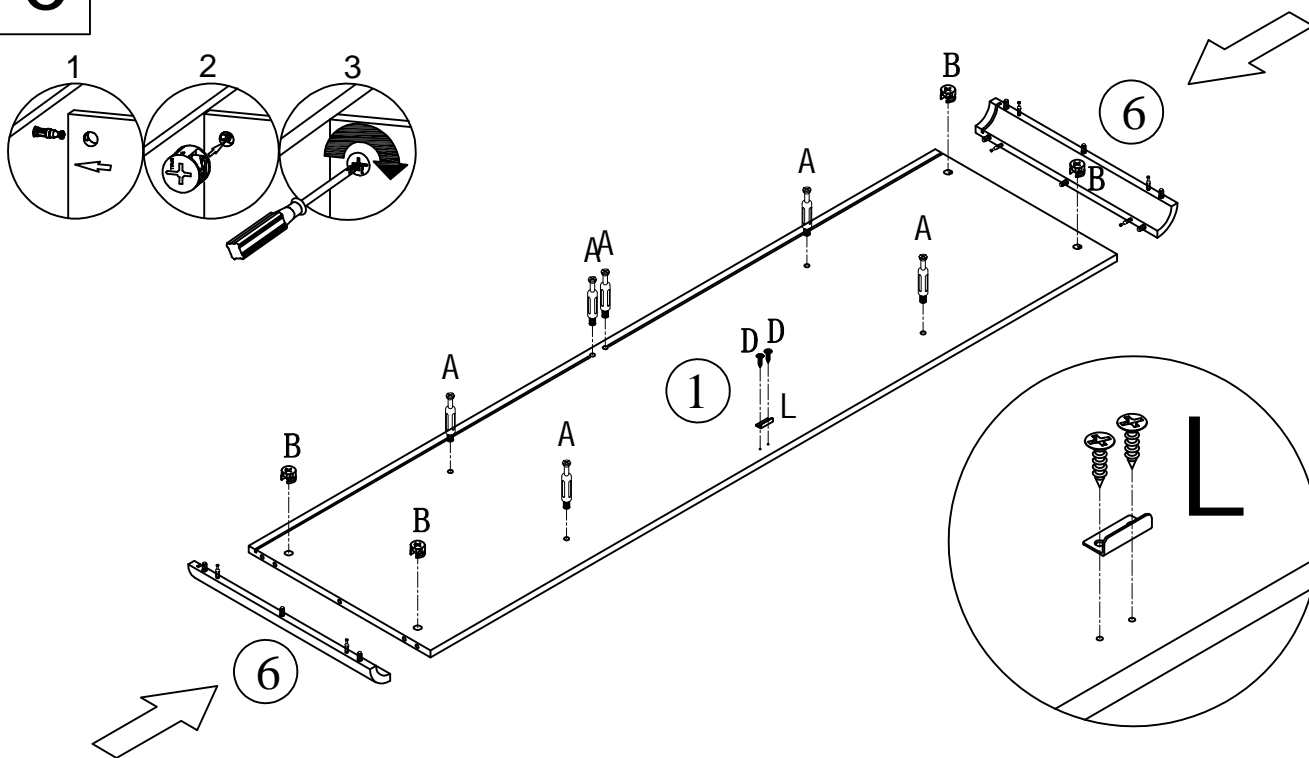
8







9

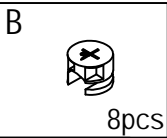
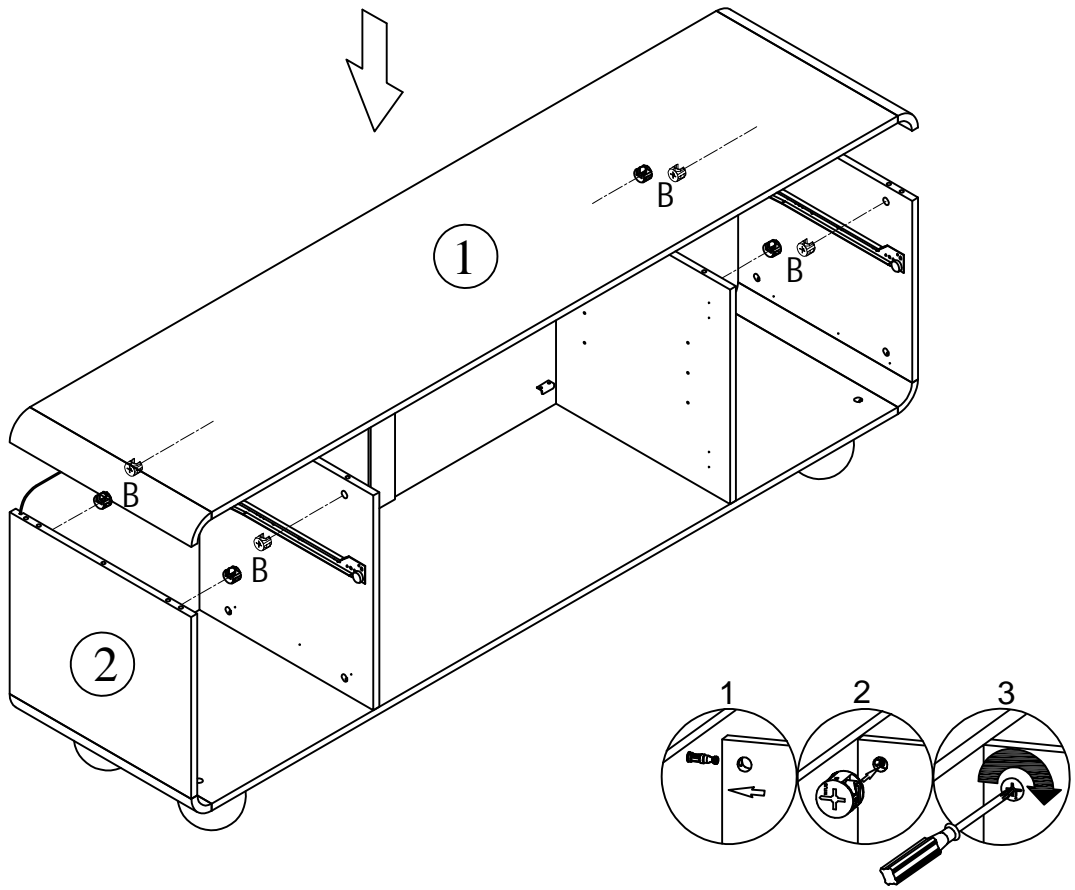


10

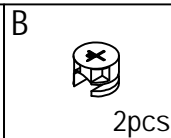
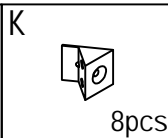
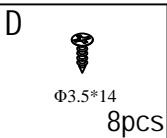
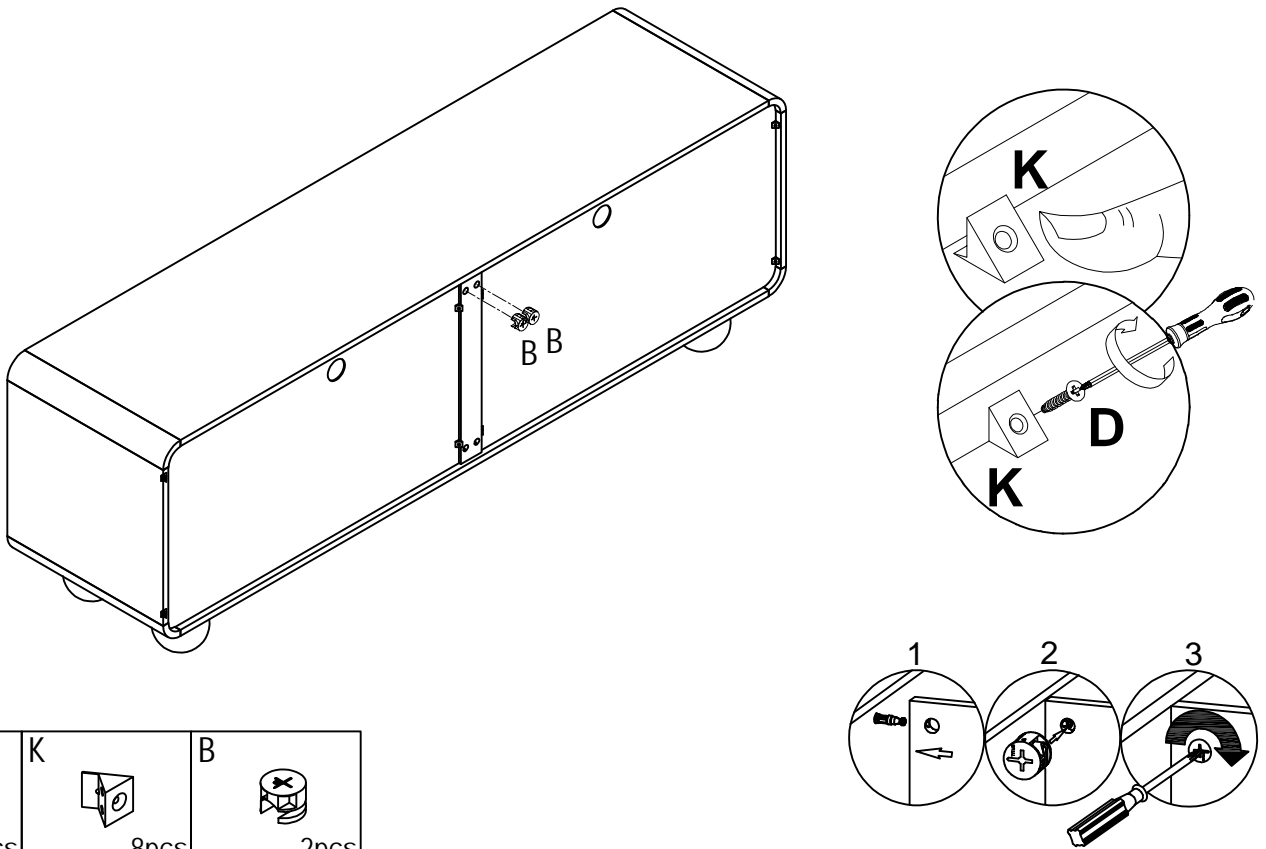


L	D	A	B
			
1pcs	Φ3.5*14 2pcs	6pcs	4pcs

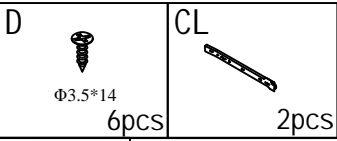
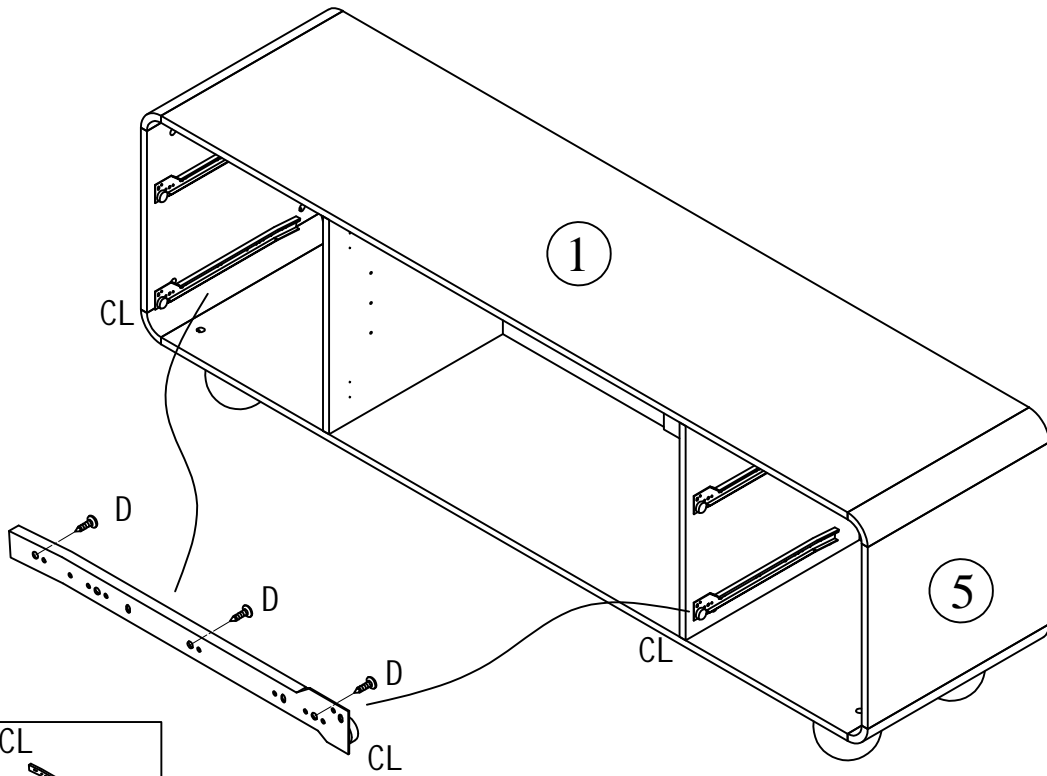
11



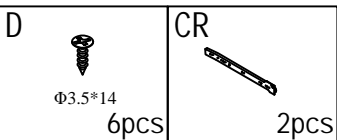
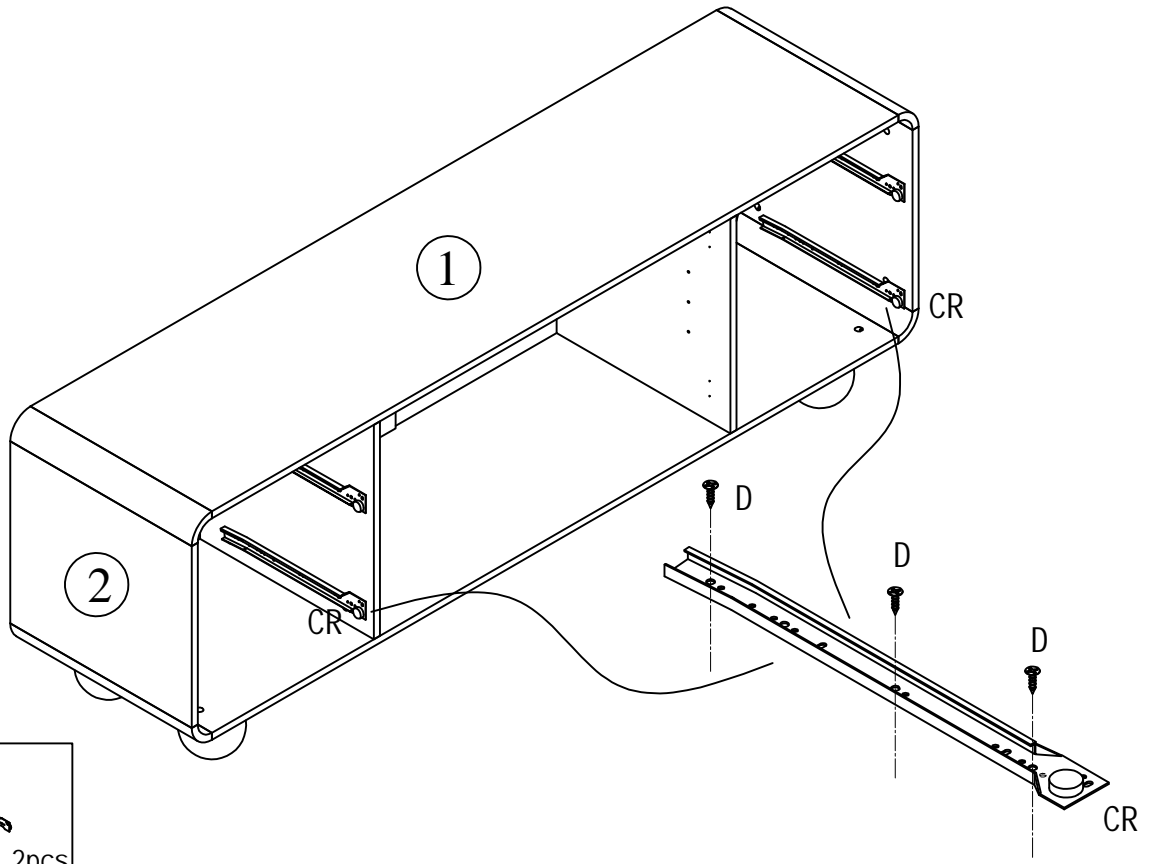
12



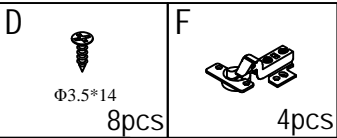
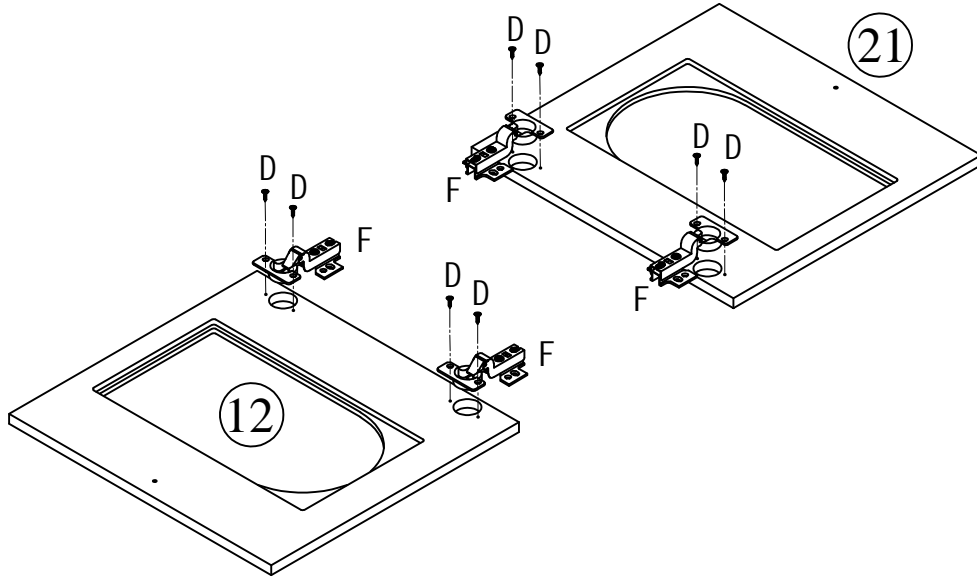
13



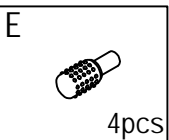
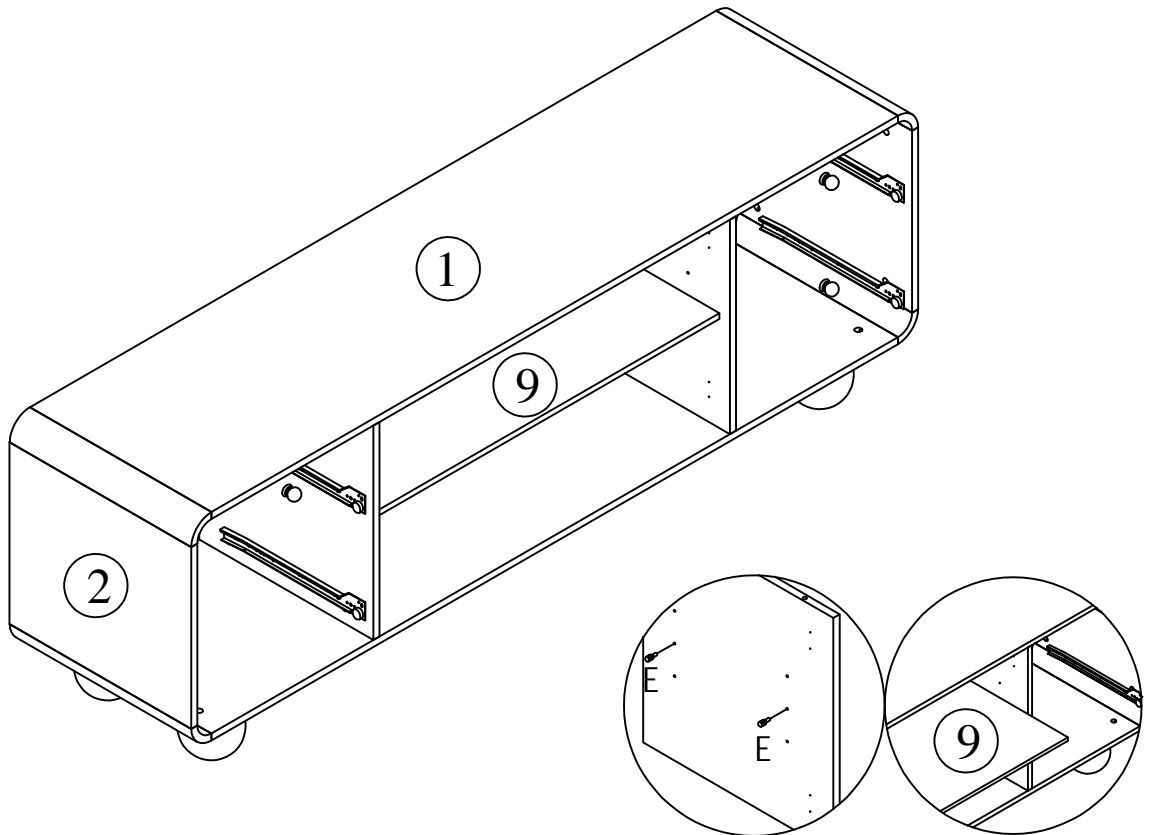
14



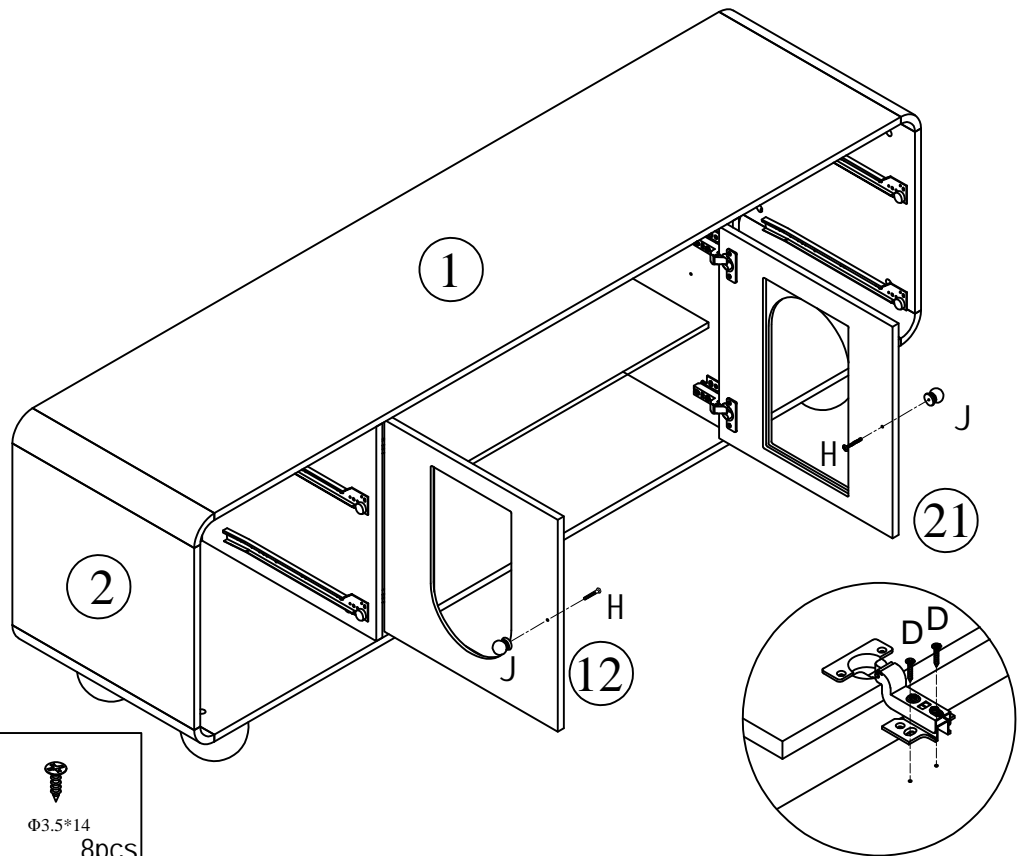
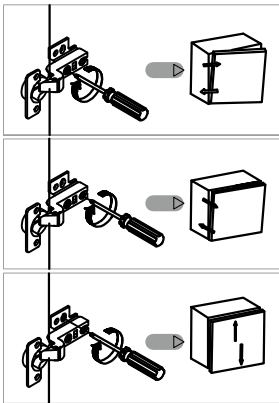
15






16

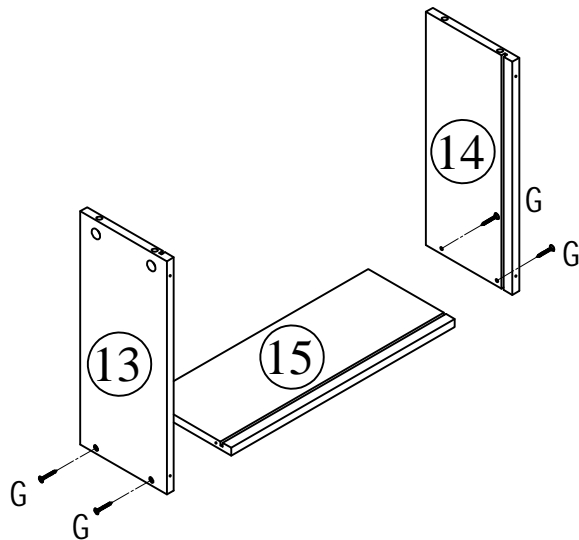



17



H  Φ 4*18 2pcs	J  2pcs	D  Φ 3.5*14 8pcs
--	--	--

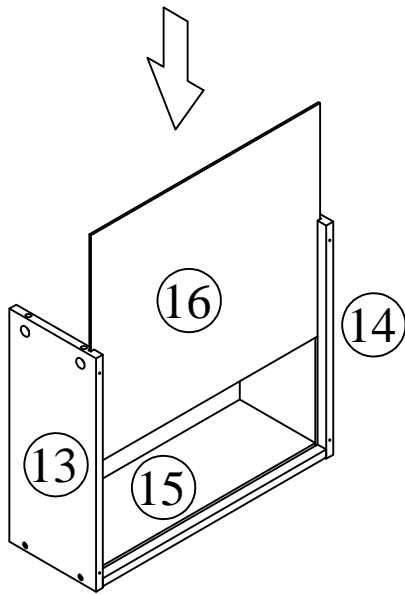
18



G  Φ 3.5*35 16pcs

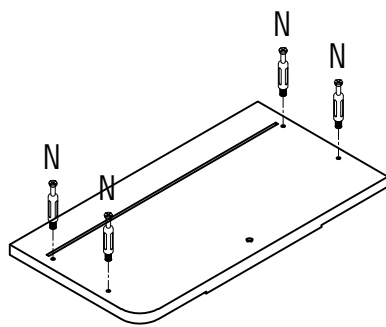
x 4

19

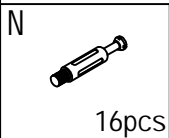
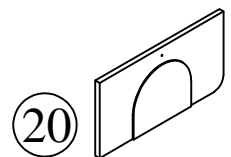
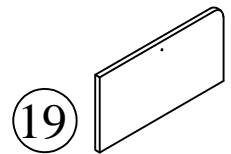
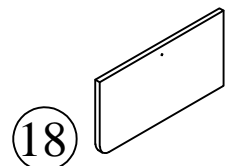
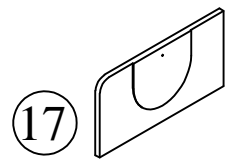


x 4

20

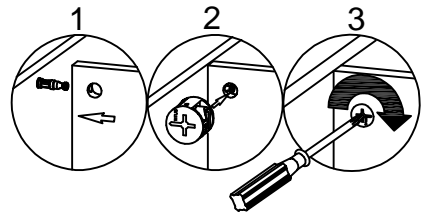
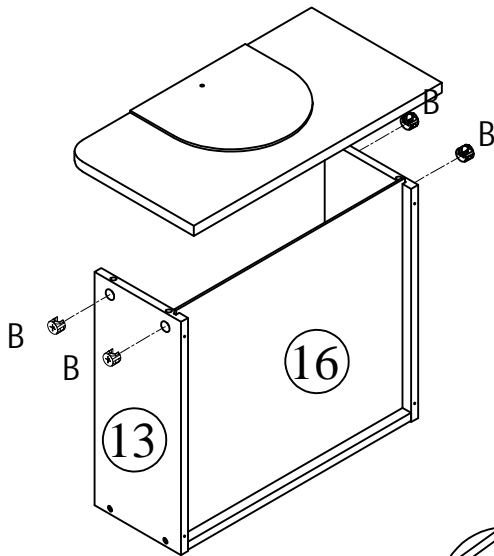


①⑦/①⑧/①⑨/②①



21

17/18/19/20

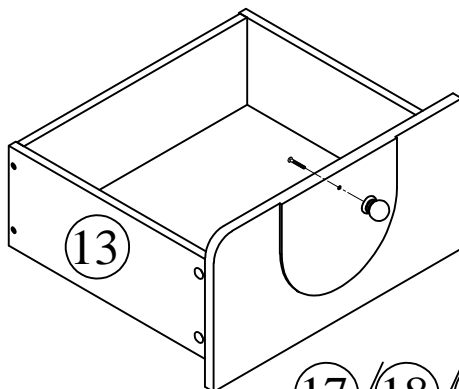


B



16pcs

22



17/18/19/20

H



Φ4*18

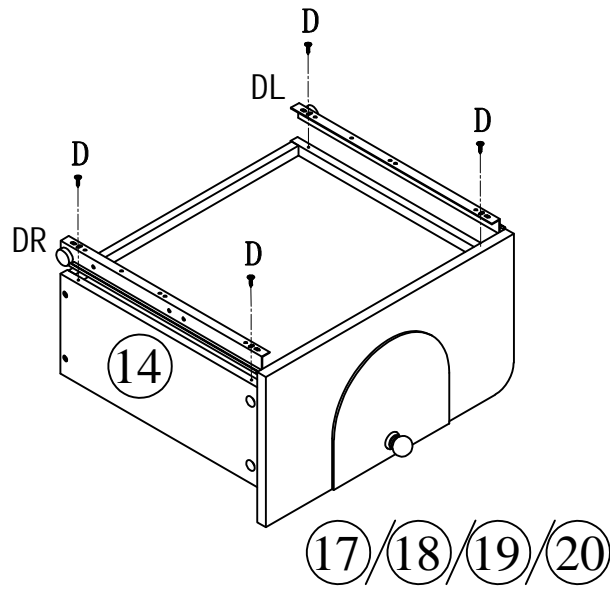
4pcs



J



4pcs

23



D  Φ3.5*14 16pcs	DL  4pcs	DR  4pcs
--	---	---

24

