



XIAOCHUBAO ELECTRIC WATER HEATER

INSTRUCTION MANUAL

Please read this manual carefully before use

DSZF-A8 DSZF-A10

DSZF-A18 DSZF-A8C DSZF-A16

water art

Product Installation Service Card (Fixed)



Service unit name (seal) : _____ System corresponding file No: _____

Customer Name	Family-address	Zip Code
Contact Number1	Product Name	Date of purchase
Contact Number2	Product Number	Body coding
		Buying A Mall
		Invoice Number

◆ Installation effect Good general difference ◆ Use original accessories Yes No

◆ Service attitude Good general difference ◆ Whether to test the machine security Yes No

◆ Service timeliness 24 hours 48 hours ◆ Whether to explain the safe use of common sense Yes No

◆ Is the power environment checked? Yes No ◆ Check if tap water pressure Yes No

◆ Real tap water pressure value _____ MPa ◆ Installation location Bathroom Kitchen balcony Balcony other: _____

◆ drought or Yes No The item is the : ◆ _____ ◆ _____ ◆ _____

Total amount : _____ Accessories

Accessories details : _____

respected USER Please rate this installation! Satisfied general not satisfied

Description:
 1. All items in this order must not be vacant. Among them: the choice of the mouth is filled in by the customer (play✓) ;
 2. If the accessories of the installation unit are used, they are guaranteed by the installation unit for one year free of charge and must be listed in the charging item. Otherwise, the loss caused by the company will not be responsible for the company's kitchen and bathroom electrical manufacturing company and the installation unit;
 3. The installation inspection must be carried out in accordance with the requirements of the instruction manual. Read the instruction manual before using the product.

Installer signature: _____ Customer signature : _____ Date: Year _____ Month _____ Day _____ ✂

CATALOG

- Special message (1)
- Performance characteristics (1)
- Model description (2)
- Implementation Standard (2)
- Technical parameter (2)
- Introduction to product structure (2)
- Installation method (3)
- Installation of power switch (4)
- Pipe connection (5)
- Method of use (6)
- Points to note (6)
- Maintenance (7)
- Fault and its treatment (8)
- Electrical schematic (8)
- Packing list (9)
- The Adjuster (9)
- Warranty instructions (10)
- Install service card (11)

Sincerely thank you for choosing our electric water heater. Please read this manual carefully before use to correctly understand the installation and use of this electric water heater to make full use of its excellent performance.

Special warning

- ①The electric water heater must be installed by a professional installer approved by the company. Our company does not assume any responsibility for the incorrect installation of this electric water heater.
- ②Before installing the electric water heater, it must be checked and confirmed that the grounding and grounding on the socket are reliable and cannot be charged. The company does not assume any responsibility for the problems caused by the non-professional installation of the water heater.
- ③Do not use mobile outlets.
- ④Incorrect installation and use of this heater may result in serious personal injury and property damage.
- ⑤Please be sure to use the accessories such as hoses provided by the company, and do not replace or replace them. If you do not comply with the above items, the company will not be responsible for any losses caused.
- ⑥The electric water heater is equipped with a pressure relief safety valve. In order to use the safety, the installation position cannot be changed privately, and it is strictly prohibited to block the pressure relief port.
- ⑦When using this unit, if the grounding system other than the appliance is abnormal, stop using the water heater immediately and unplug the original plug or disconnect the power supply circuit. Even if you are in a hurry, contact our maintenance personnel and handle them.

▶ Performance characteristics

- 1、 Full plastic case, small and exquisite, beautiful and generous.
- 2、 Multiple safety protection: dry burning protection, over temperature protection, high water pressure protection device.
- 3、 The edible grade 304# stainless steel liner is manufactured by advanced aviation welding technology and has the characteristics of anti-rust, anti-leakage and long service life.
- 4、 Heaters designed for low heat loads: safe and reliable, with a longer life.
- 5、 With anti-corrosion and anti-scaling device: the product is durable.
- 6、 Water temperature setting range: 30-65°C
- 7、 Small size, fast heating, easy to use, suitable for washing your face, 'washing', washing dishes, washing dishes, etc. (water is not suitable for drinking).
- 8、 The power supply can be controlled directly through the power switch without pulling the power plug.

▶ Warranty Description

Respected user:

Thank you very much for using the electric water heater. Our company will strictly abide by the relevant provisions of the Consumer Protection Law of the People's Republic of China and enjoy the following excellent service provided by our company with the original purchase of the original invoice provided by the regular shopping mall:

- 1、 After the product has a performance failure, the whole machine is repaired. 1 year;
- 2、 In order to ensure the service life of the product, the magnesium rod is used for anti-corrosion. The magnesium rod will consume energy like a battery, and it needs to be updated. It is recommended that you start with the water heater and contact us for sales every two years to purchase a new magnesium rod, which will ensure and extend the life of the water heater.
- 3、 After the product has exceeded the safety life of the country, the company will no longer provide related repair services. Please refer to the relevant national waste electrical appliance scrapping management regulations or policies to update the products. The old machines should be disposed of and discarded and must not be sold to the market;
- 4、 If the domestic water heater is used for commercial purposes, the whole machine and main accessories shall be repaired for half a year unless otherwise specified in the purchase and sale contract;
- 5、 Remote control, shower, hose, knob, repair for one year (not responsible for door replacement, the user with the purchase of voucher and complete old parts to the local maintenance department for free replacement);
- 6、 The warranty period will be calculated based on the date of purchase of the invoice. This product is underwritten by an insurance company

► Packing list

Serial Number	Name	Unit	Quantity
1	Water Heater	Station	1
2	One-way Safety Valve(0.75mpa)	One	1
3	User's Guide	Share	1
4	Hook Up	Case	2
5	Plastic Tube	Case	2
6	Self-tapping Screw(st3.5x30)	Case	2
9	Drain Hose	Root	1

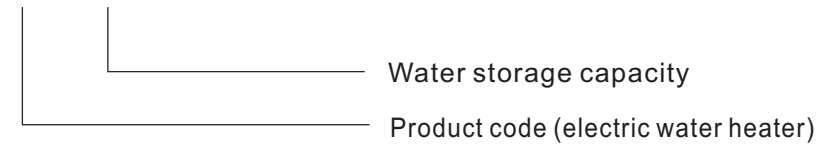
► After-sale service

If there is any abnormality in your water heater and it cannot be used normally, please check it one by one according to "Fault and its treatment method". If it is still not handled well, or if you do not understand, please contact our special maintenance department or our company. Contact the service center in each region. In areas where there are no service outlets, if you have any questions, you can contact our technical service center directly. If you write, please leave your contact number so that you can get a reply as soon as possible.

If your residence is a tall building, the tap water pressure approaches or exceeds the rated pressure (eg: greater than 0.75MPa), It is recommended that you contact us to purchase a pressure limiting valve after sale, so as to ensure that the water heater can be used reliably, and similar accidents such as foaming the floor will occur, and the service life of the water heater can be guaranteed.

► Model Description

DSZF - X X X



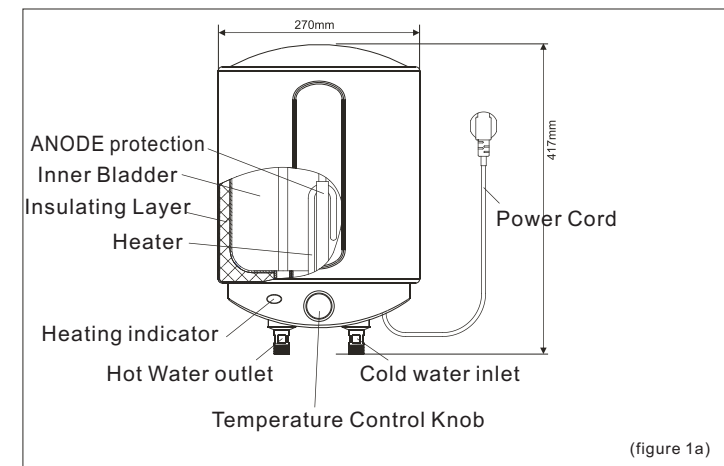
► Execution criteria

This series of electric water heaters implements the standard:
 GB 4706.1-1998 "General requirements for safety of household and similar electrical appliances - Part 1"
 GB 4706.12-2006 "Safety of Household and Similar Electrical Appliances - Special Requirements for Storage Water Heaters"

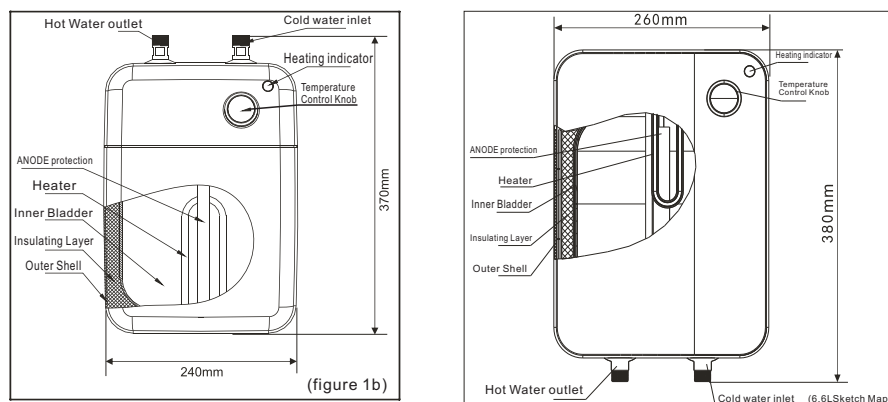
► Technical parameters

Rated voltage rated frequency	Rated power rated current	Temperature regulation Wai	Minimum water pressure	waterproof level
220V/50Hz	1500W 6.8A	30°C~65°C	0.02MPa	IPX4

► Introduction to product structure



(figure 1a)



► Installation method

Depending on the size of the water heater, choose a location that is convenient for the water heater to operate. After selecting the appropriate location, mount the two hooks on a sturdy wall (or other location).

► Installation method

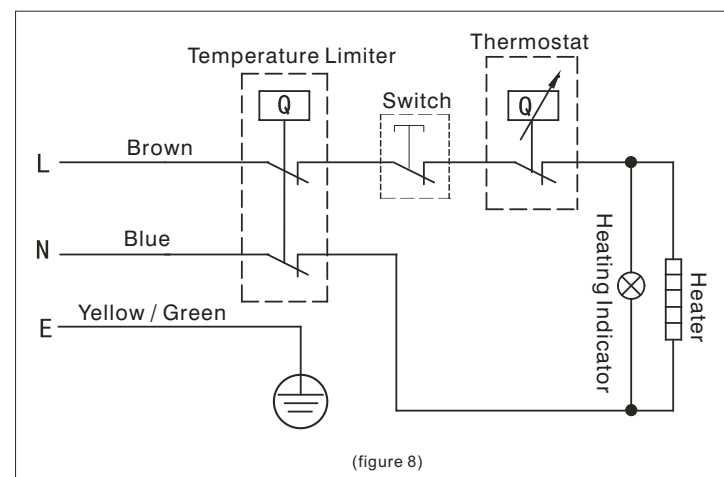
The standard installation method of this control switch is a complete set of surface mounting. Special requirements for the customer can also be concealed in conjunction with the standard switch bottom box. (The cassette and the trace tube are reserved by the customer for installation). When mounted, select on the cabinet. 3 The position of the screw holes (see Figure 9 for the positioning dimensions of the three holes)a) then two of them will be randomly delivered ST3.5X30 Screw fastening 1、 2 Location, then use ST3.5X30 Screw through position 3 Tighten and check the power switch. There must be no looseness. (Figure 9b is the power switch part drawing) When installing:

- 1、 Lift the power switch rocker from one side and take it out;
- 2、 Loosen the two screws that secure the bottom box to separate the panel from the bottom box;
- 3、 Loosen the wire terminal connected to the switch and completely disconnect the connecting wire from the switch panel;
- 4、 Loosen the connecting wire in the bottom box and take it out from the perforation of the bottom box;
- 5、 Pass the wire harness from the upper end of the threading pipe near the water heater end and out through the standard cassette buried in the cabinet;

► Fault and its treatment

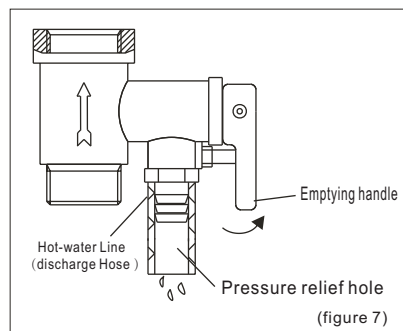
Malfunction	The reason	Approach	
Water is cold water	Heating indicator is not lit	1. Power supply line blackout 2. Poor contact in the power outlet 3. Temperature limiter or thermostat is damaged	1. Power supply line to be restored 2. Replace the power outlet 3. Notify professional maintenance
	Heating indicator is on	1. Insufficient heating time 2. Heater damaged open circuit	1. Waiting for heating 2. Notify the professional to repair
Heating indicator is not lit	1. Dry burning or overheating of water temperature causes temperature limiter action 2. Temperature limiter damage 3. Thermostat damage 4. Wire switch is damaged	Notify professional maintenance	
Hot water outlet does not produce water	1. Tap water stop 2. Water pressure is too low 3. The tap water inlet valve is not open	1. Waiting for the tap water supply to return to normal 2. Re-use when the water pressure rises 3. Open the tap water inlet valve	
Water temperature overheating	Temperature control system failure	Notify professional maintenance	
Leaking water	The connection position of each nozzle is not well sealed.	Seal the connection port	

► Electrical schematic diagram



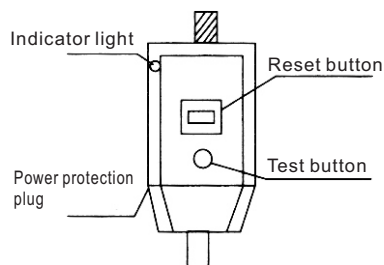
(figure 8)

7. If the user installs a drain pipe at the one-way safety valve, the self-contained drain pipe connected to the pressure relief hole should be installed at a downward tilt.
8. Since the maximum water temperature in the water heater is about 65 °C, the initial water should not be directly sprayed on the human body. The water temperature should be adjusted first (if equipped with a mixing valve), or the hot water can be connected to the container, and then cold water can be added to the appropriate temperature for use to avoid burns.
9. To drain the water from the tank, drain the water from the one-way safety valve. When draining, close the inlet valve, open the outlet valve, and drain through the safety valve. (The lower water product can directly lift the emptying handle on the one-way safety valve; the upper water product will reverse the product and press the emptying handle on the safety valve downwards) (Figure 7).
10. If the power cord is damaged, you must use the dedicated power cord supplied by the manufacturer and replace it with a qualified service person.
11. If the parts of this electric water heater are damaged, please ask the professional to repair and use the special repair parts provided by the company.
12. The hot water in the water heater is not suitable for drinking. Due to prolonged use, scale will be generated in the water tank, and the water quality will change due to the aging of the water pipe. When you wash the rice with the water in the container and wash the vegetables, please rinse it again with clean tap water.
13. The use of the power plug with leakage protection, because the plug itself does not have an automatic reset function, so there is leakage protection, please operate as follows. On power supply, when the power is on the plug, reset button



Power protection Test button

When the indicator light is off and the reset button pops up, the leakage protection is in most cases. In this case, the user should check the cause of the leakage, eliminate the fault, and then press the reset button on the power plug to resume normal use. To ensure that the leakage protection switch operates normally, press it every month. The test button, at this time, the reset button jumps, and then press the reset button to resume normal use.



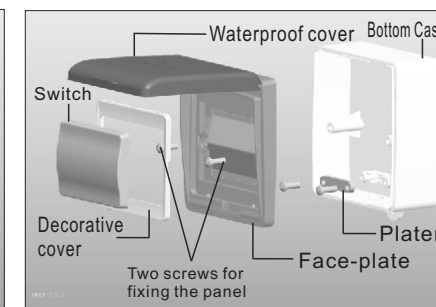
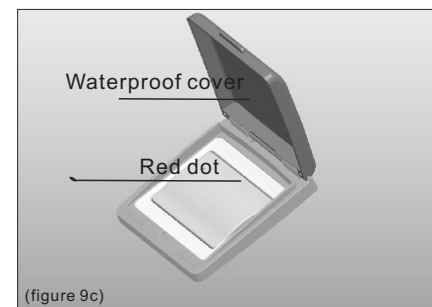
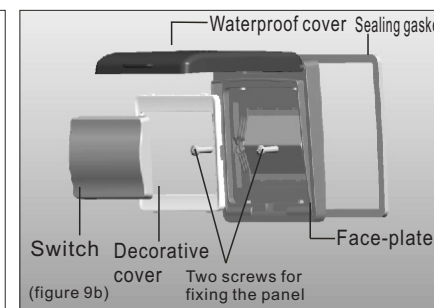
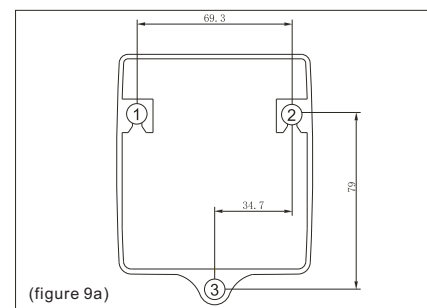
Maintenance

1. Always check that the power cord plug and socket are in good contact, reliable, and that the grounding is good and there is no overheating.
2. When deactivated for a long time, especially at low temperatures (below 0 °C), the water in the inner tank is prevented from freezing, and the water heater is damaged. The water in the water heater should be released. (For the method of draining the water in the inner tank, refer to the "Precautions" in this manual.9article).
3. In order to ensure that the water heater can work efficiently for a long time, it is recommended to regularly clean the inner tank of the electric water heater and the sediment on the electric heating element to find a professional to clean up.

6. Secure the control switch to the user-installed cassette with the appropriate screws. (If the panel is not tightly fitted to the cabinet, a special gasket should be installed to ensure that the switch panel and the cabinet are completely fitted to prevent water leakage);
7. After visually checking that the gasket fits well with the cabinet, restore the switch rocker.

Note:

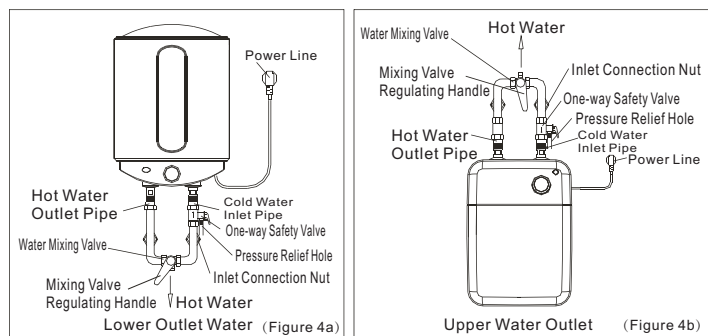
1. The power switch is a key component of the water heater. It is not only the control center of the water heater, but also related to the safety of the customer. Please do not disassemble the switch box by yourself. Otherwise, it will affect the performance of the water heater and the safety of the customer.
2. Please contact the US home appliance professional service personnel to install the service commissioning.
3. Make sure the machine is not powered before installation. After installation, be sure to thoroughly check the water and circuit, then fill the machine with water, fill it with water, and then power it on.
4. When the power switch is in use, the red dot is exposed to indicate that the switch is in the on state, and the red dot is not exposed to indicate that the switch is in the off state. (Figure 9C)
5. Align the hanging holes on the back of the water heater with the hooks and secure the water heater.
6. Install a power outlet on the wall and the power outlet requires:250/10A,Single phase three poles.
7. In order to reduce heat loss in the pipeline, the installation point should be as close as possible to the water point.



► Pipe connection

1. The thread specifications of the fittings used in the installation of the electric water heater are G1/2", the piping and fittings for installation and connection can be used for less than the service life of this electric water heater, and should have sufficient high temperature resistance to prevent damage.
2. Install the supplied safety valve on the cold water inlet of the main engine. Pay attention to keep the one-way safety valve pressure relief port facing down to ensure the smooth flow of water from the pressure relief hole. The drain hose connecting the one-way safety valve should be one. The continuous downward installation is installed in a frost-free environment and must remain open to the atmosphere and must not be blocked.

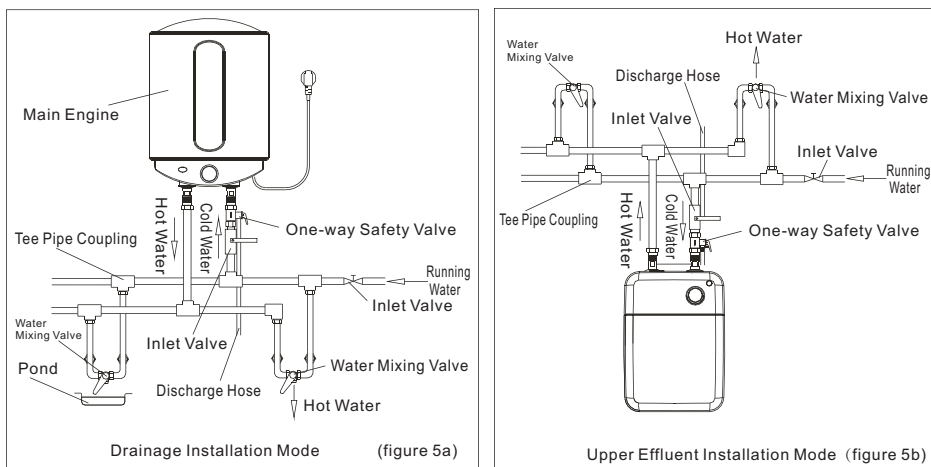
Note:1. The one-way safety valve should periodically pull the handle to remove the calcium carbonate deposit and prove that the device is not blocked.
2. The effluent temperature of the one-way safety valve pressure relief port may be high, so be careful to avoid burns.



3. In order to avoid water leakage when the pipe is connected, a rubber gasket must be installed at the end face of the thread.

Note: Users can purchase the mixing valve according to their own needs. The mixing valve in the figure only serves as a schematic function.

4. If the user wants to supply water in multiple ways, please refer to it (Figure 5). The method of a, b) is connected.



► Usage method

1. First open any water outlet valve at the water outlet of the water heater, and then open the water inlet valve. At this time, the electric water heater starts to fill the water. When the water outlet valve is normal, the water is filled. At this time, the water outlet valve can be closed.

Note: The inlet valve should be open during normal use.

2. Turn the water temperature setting knob to the position you want.
3. Plug in the power plug.
4. The machine can automatically control the temperature. When the water temperature reaches the set temperature, it will automatically turn off the power. When the water temperature drops to a certain temperature, the power will be automatically turned on and the heating will continue. At this time, the hot water can be used continuously. After the set temperature is reached, it will automatically cut off. The electricity is kept warm.

► Notes

1. The grounding pole of the socket must be reliably grounded and the rated current should not be lower than 10Amperes, sockets and power cord plugs are kept dry to prevent leakage. Always check that the plug and socket are well matched. Check the method as follows: Insert the power plug into the socket, turn it on after about half an hour, turn off the plug and unplug it, check if the pins of the plug are hot, if the pins are hot (about more than 50°C), please replace the socket with good contact to avoid overheating the socket and causing fire and other personal injury.
2. In places where water may splash and on walls, the power outlet should be installed in a location where water is not easily spilled and should not be installed where children may be exposed.
3. The wall (or other place) where the water heater is installed should be able to withstand more than four times the total weight of the water heater after it has been filled with water, and no deformation or cracking will occur. If it cannot be tolerated, other reinforcement measures should be taken.
4. At the inlet of the machine, a one-way safety valve must be installed (see Figure 6). a, b), A pressure tube connection must be used between the lines.
5. When using for the first time (or for the first use after repairing the wash), the water heater must be filled with water before the power can be turned on. At the time of water injection, at least one water valve at the water outlet of the water heater is opened to drain the air. When the water is filled, the valve can be closed.
6. During the heating and heating, the one-way safety valve pressure relief hole may drop water drops. This is a normal phenomenon. If there is a large amount of water leakage, please consult a professional for repair. Do not block this pressure relief hole to avoid damage to the water heater and cause a safety accident.

