



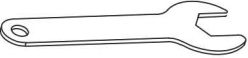
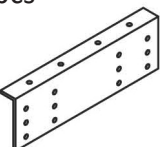
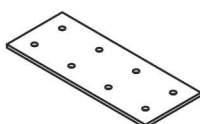

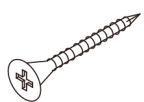
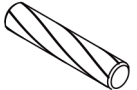
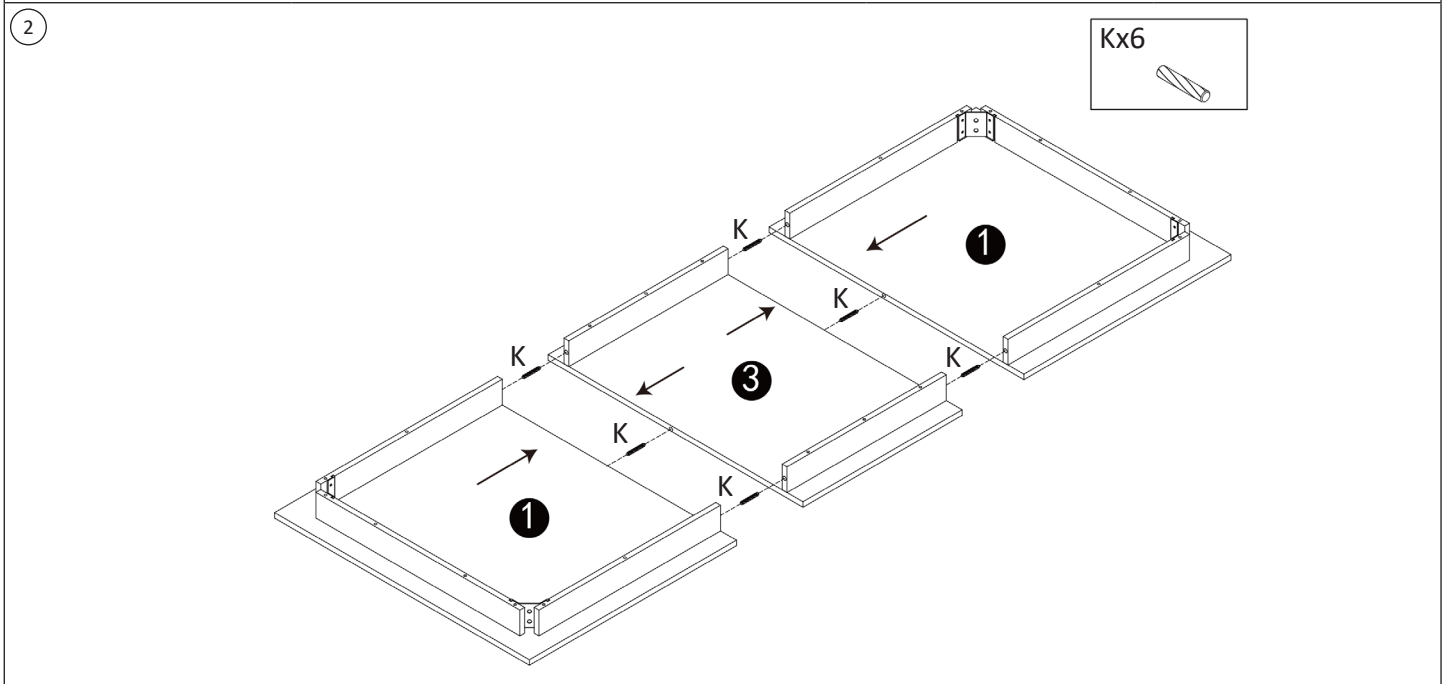
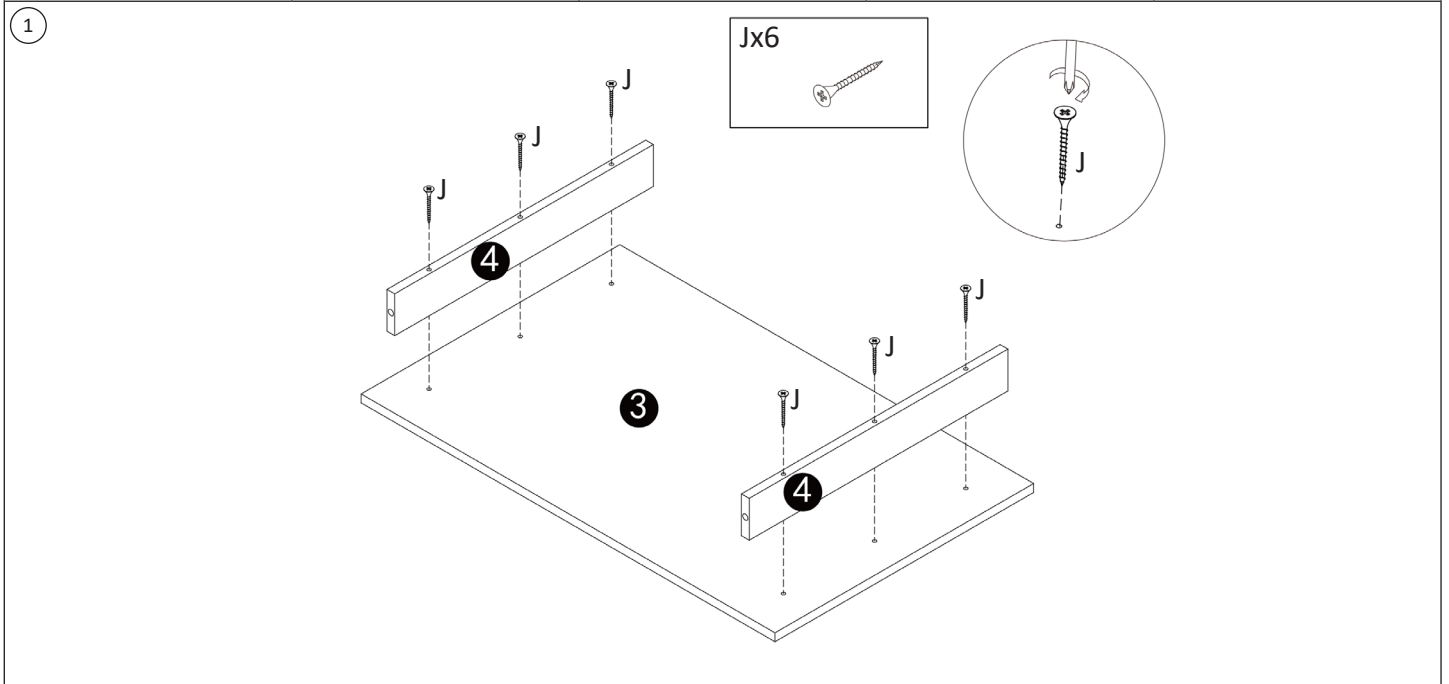
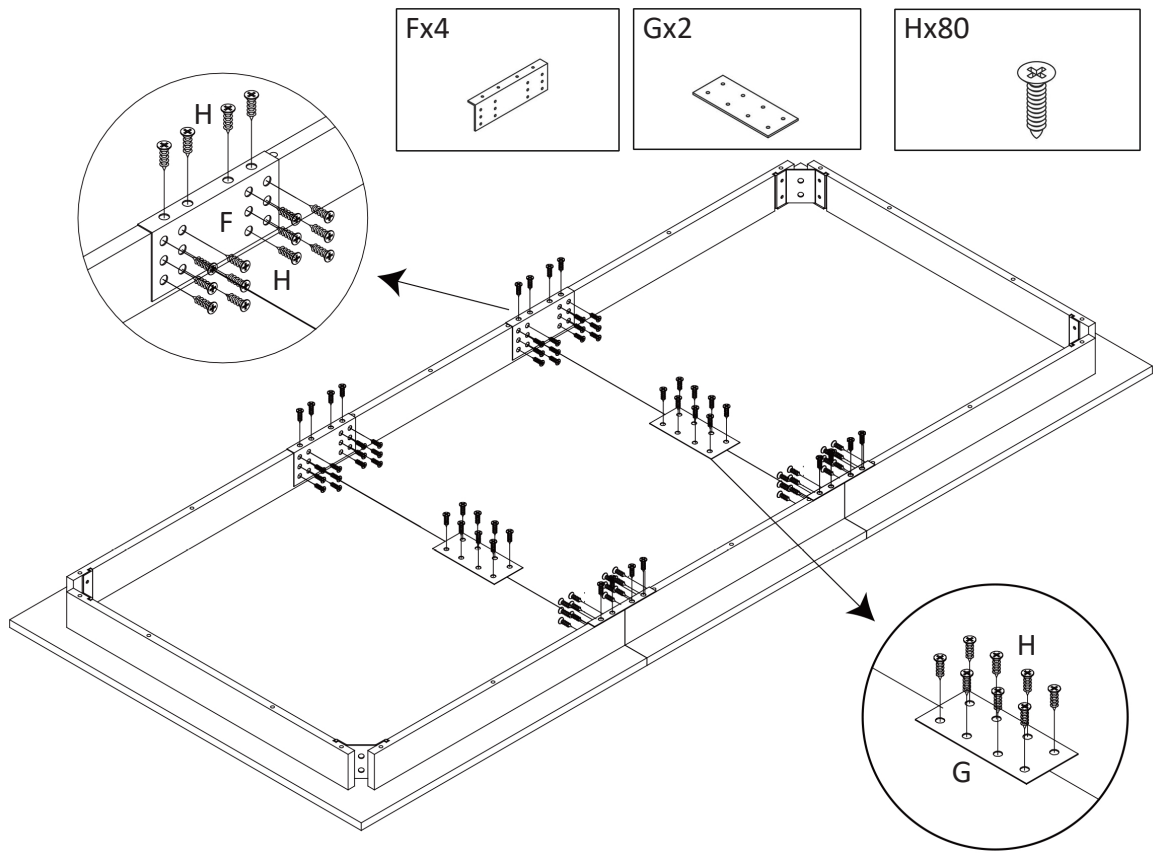


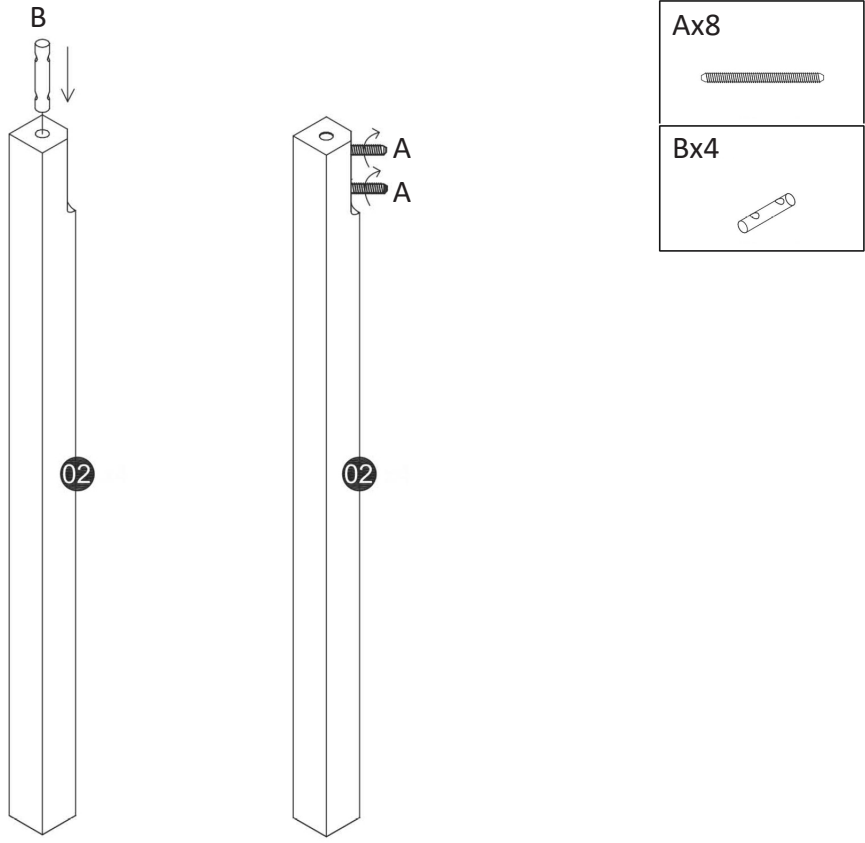
<p>A 8pcs</p>  <p>M8x $\frac{70}{2.3}$</p>	<p>B 4pcs</p> 	<p>C 8pcs</p> 	<p>D 8pcs</p> 	<p>E 1pc</p> 
<p>F 4pcs</p> 	<p>G 2pcs</p> 	<p>H 80pcs</p> 	<p>J 6pcs</p> 	<p>K 6pcs</p> 



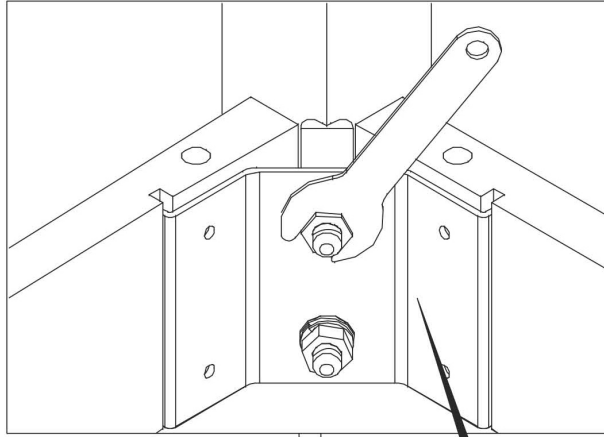
3






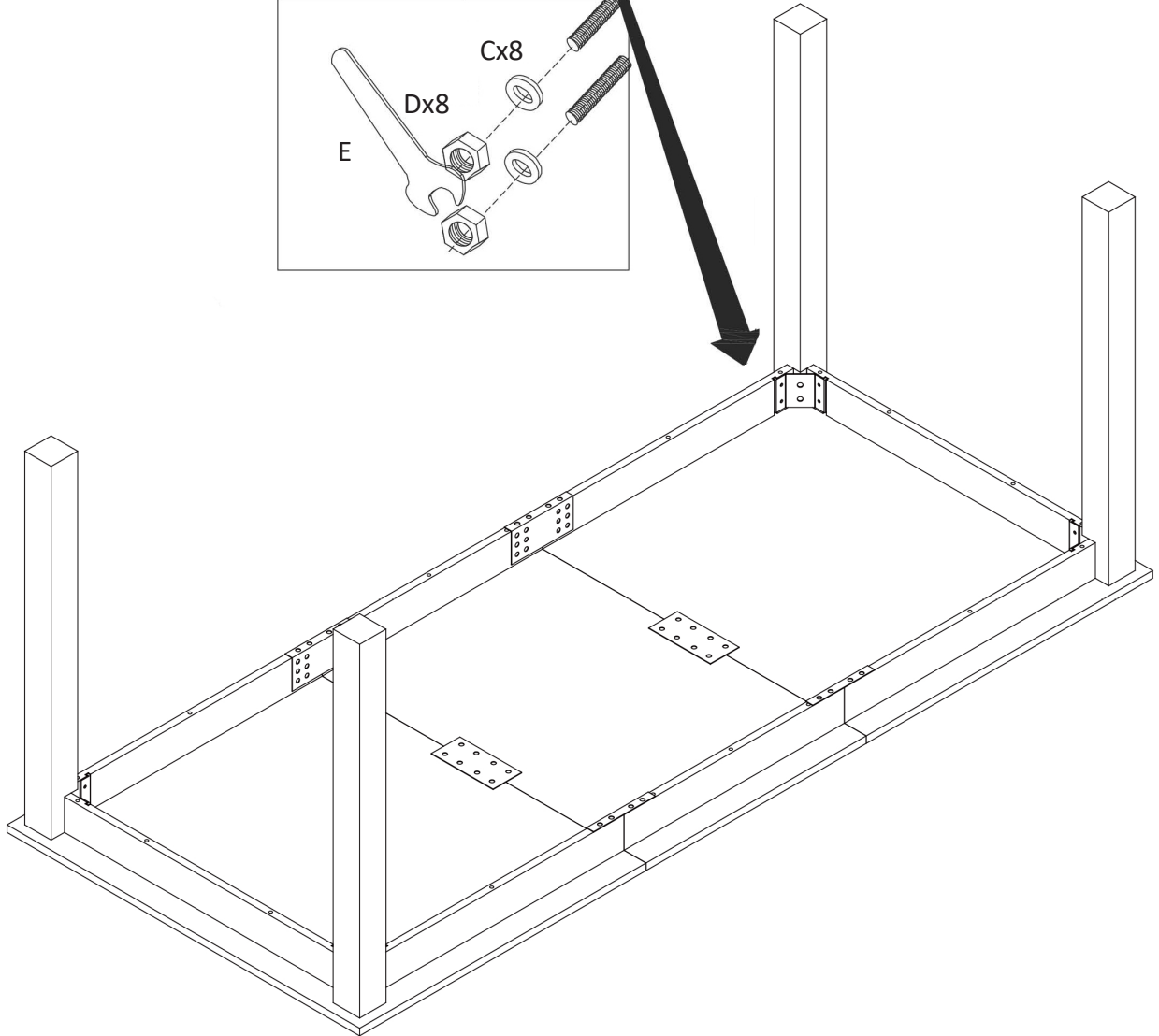
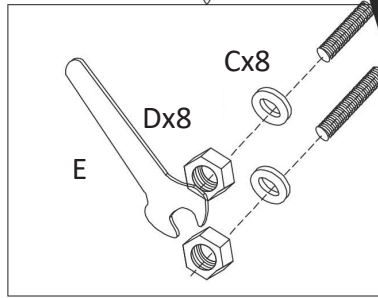
4 x4

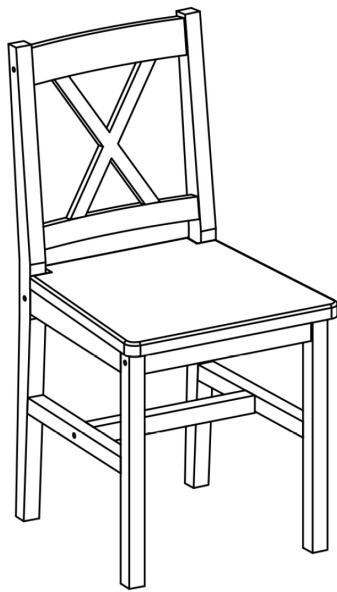


5

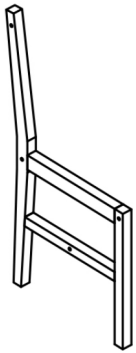


Cx8	
Dx8	
Ex1	

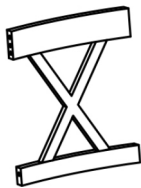




1|1pc



2|1pc



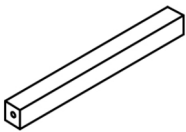
3|1pc



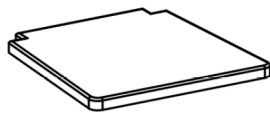
4|1pc



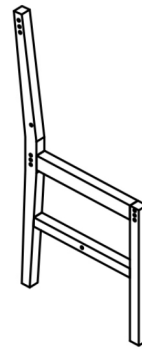
5|1pc



6|1pc



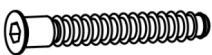
7|1pc



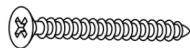
A|12pcs



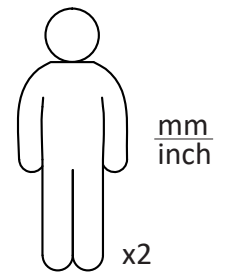
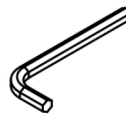
B|8pcs



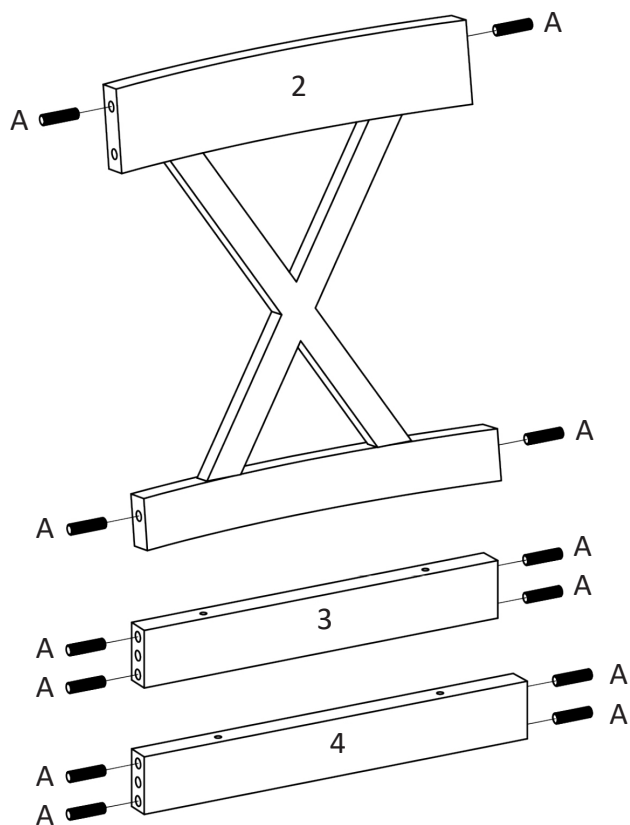
C|4pcs



D|1pc



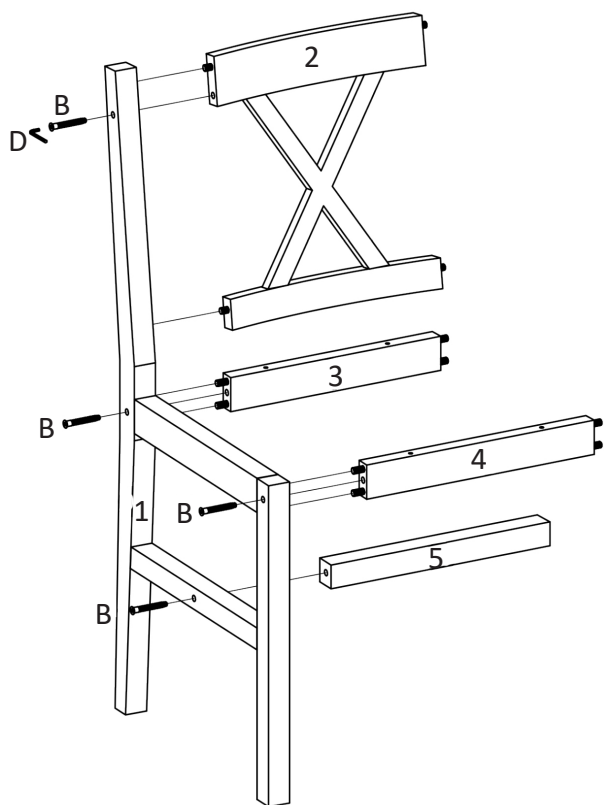
1



Ax12



2



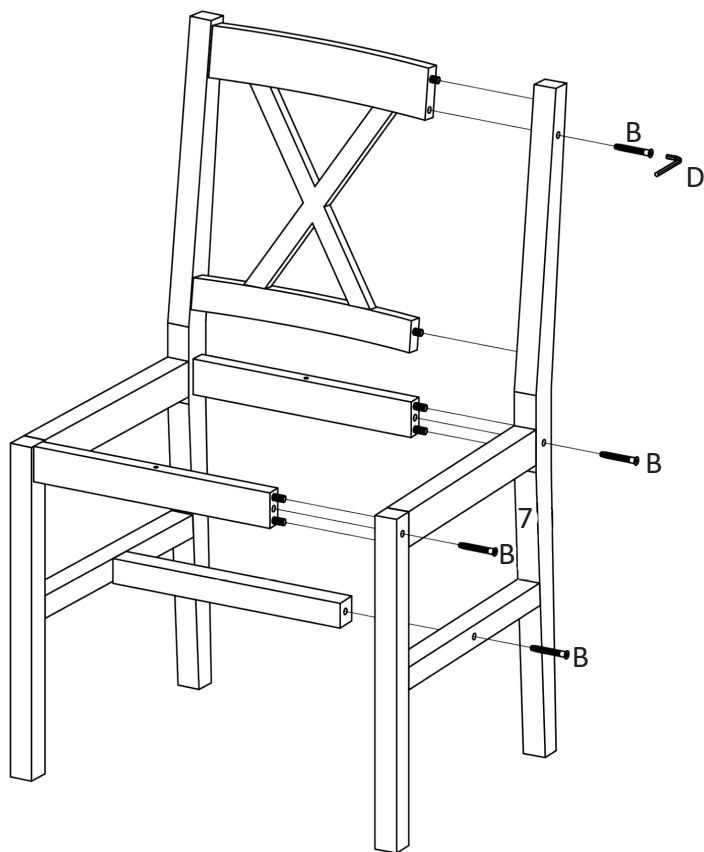
Bx4





Dx1

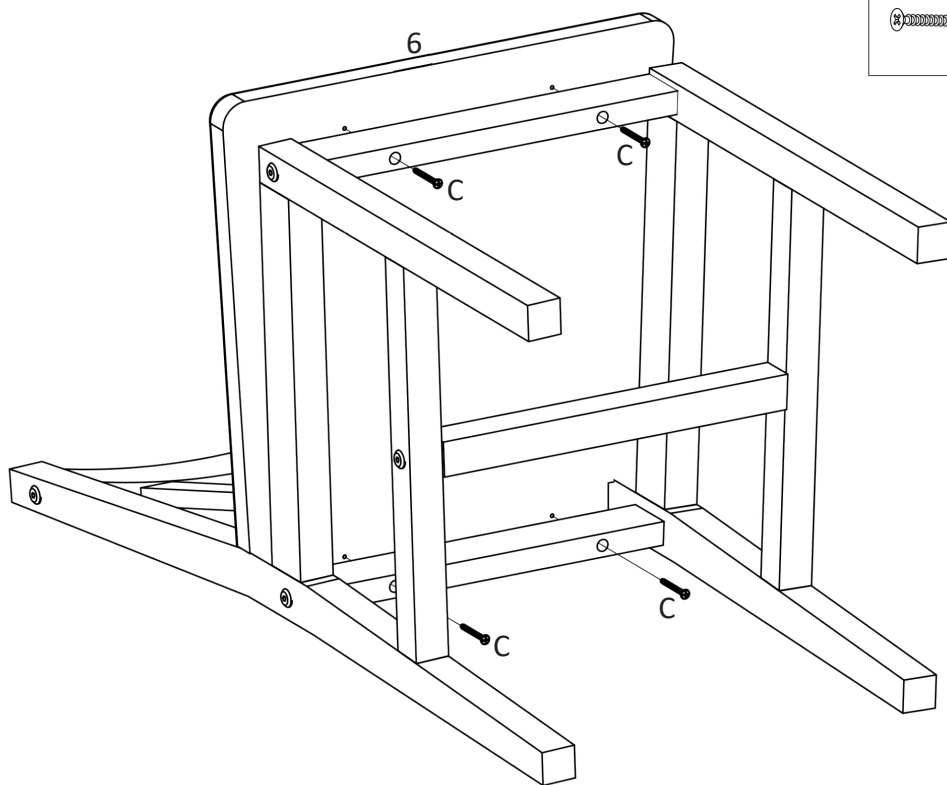


3



Bx4

Dx1


4



Cx4
