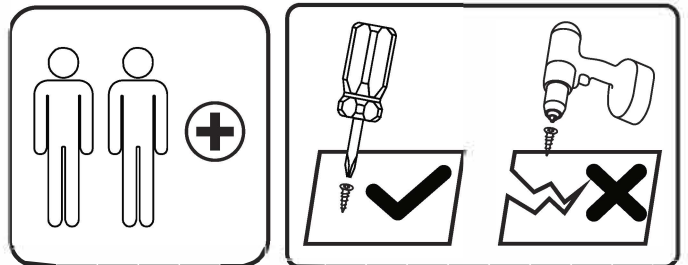
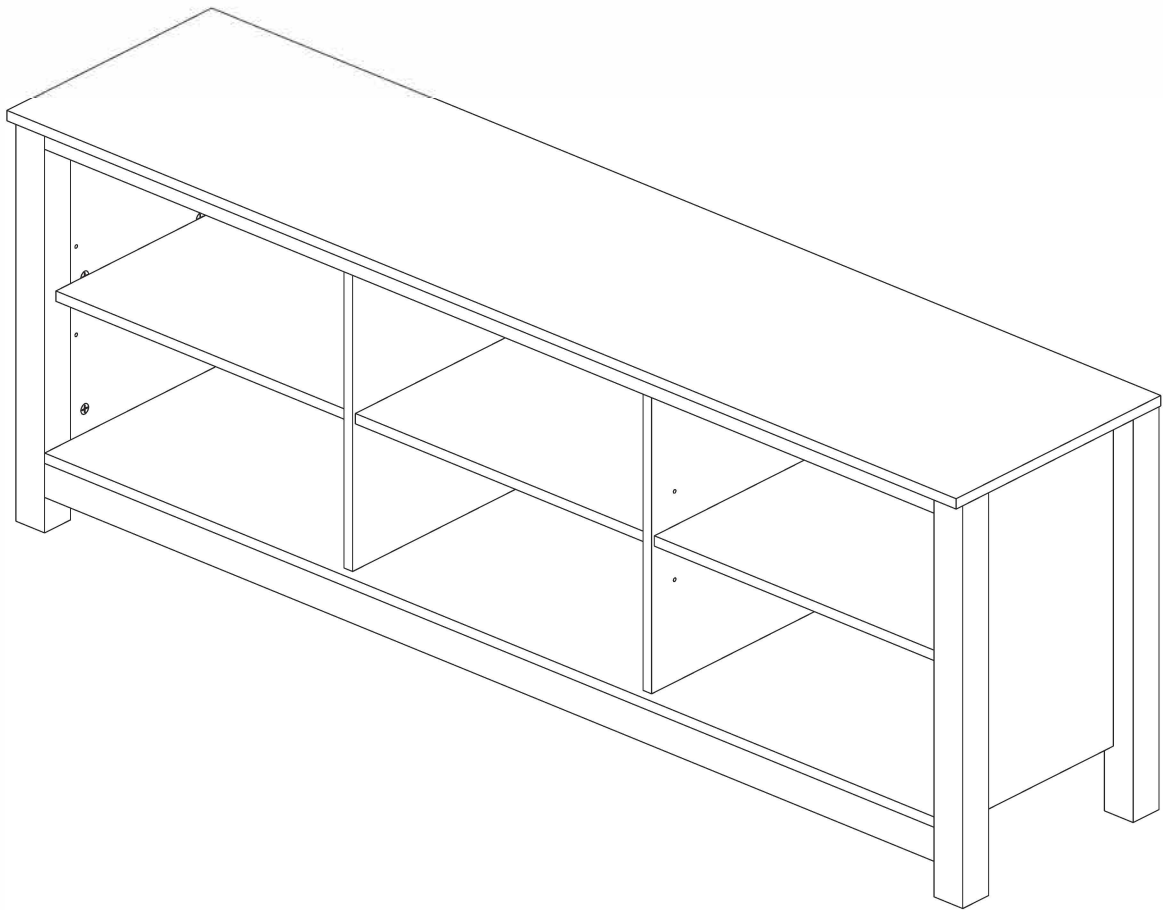


---

# Assembly Instructions

---

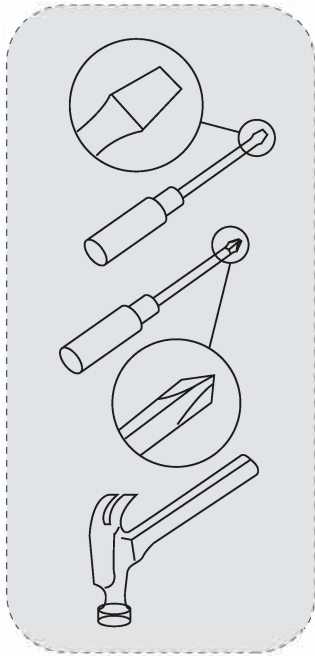


## Tools Recommended

---

This Instructions Contains Important Safety Information. Please Read Before Assembly And Keep For Future Reference.

## IMPORTANT NOTICE



- This product contains small components, please ensure that they are kept away from small children.
- THIS INSTRUCTIONS CONTAINS IMPORTANT SAFETY INFORMATION. PLEASE READ BEFORE ASSEMBLY AND KEEP FOR FUTURE REFERENCE.
- Read each step carefully. It is very important that each step of instruction is performed in the correct order. If these steps are not followed in sequence, assembly difficulties will occur.
- Make sure all parts are included. Most parts are labeled or stamped on the raw edge.
- Work in spacious area, preferably on a carpet, near the place the unit will be used.
- Do not use power tools to assemble your furniture. Power tools may strip or damage the parts.
- Move your new furniture carefully, with two people lift and carry the unit to its new location.
- Never push, drag or pull your furniture (especially on carpet).

## PLEASE DO NOT RETURN PRODUCT TO US IMMEDIATELY

- If any parts are missing or damaged, do not return the damaged item to your dealer, contact Customer Service, We will gladly ship you replacement parts FREE of charge !
- Need Parts or Assistance? Email us
- Thank you for choosing our products .
- For Prompt, Reliable Customer Service, Please have your assemble instruction ready.



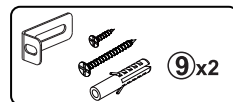
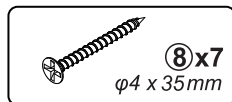
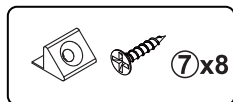
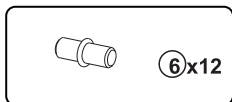
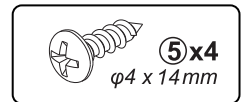
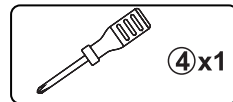
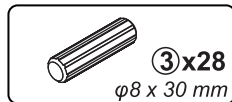
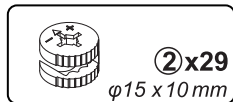
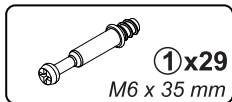
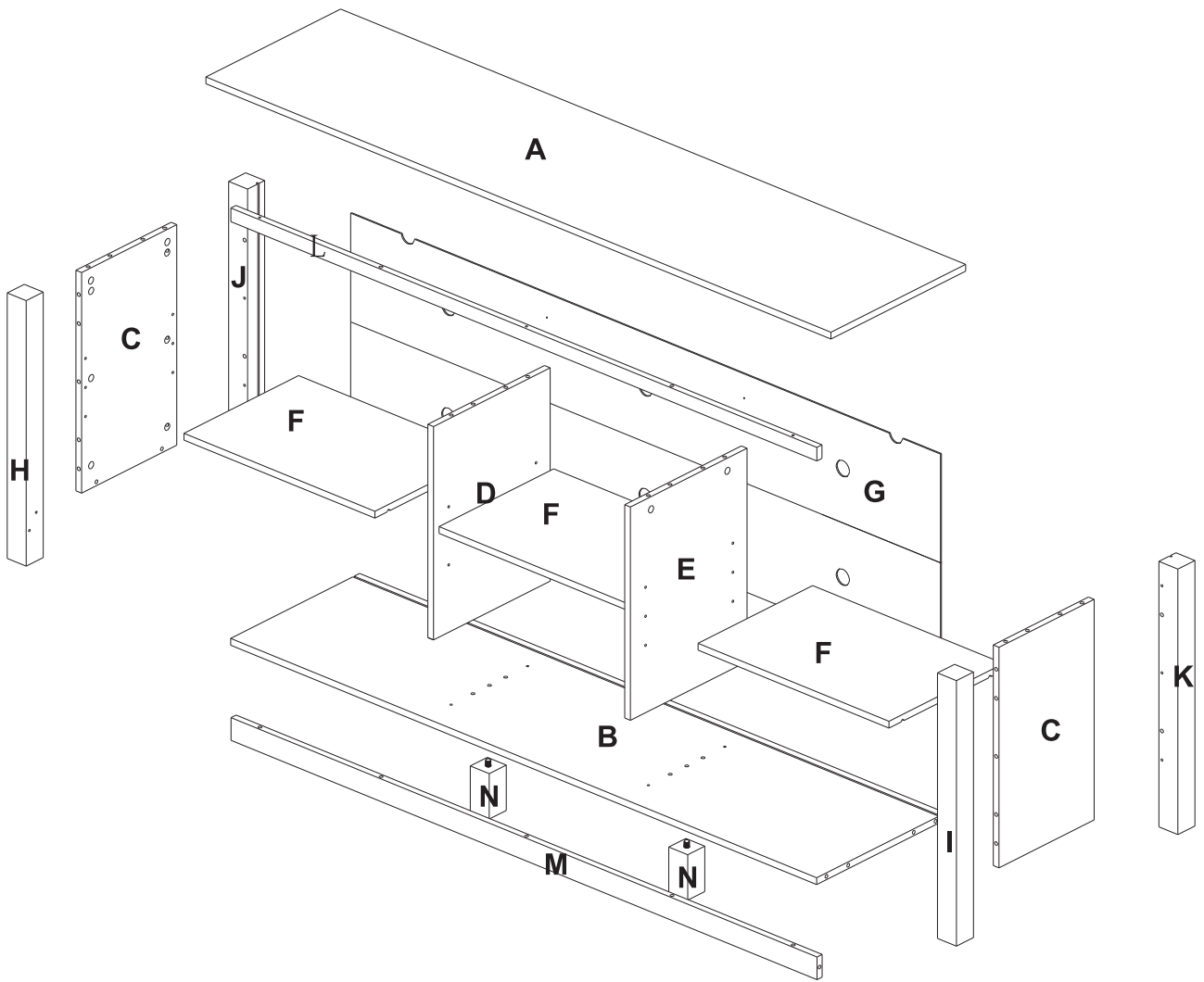
### WARNING

(Death or serious injury may occur when children climb on audio and/or video equipment furniture.)

#### To reduce the risk of furniture tipover:



- NEVER attempt to move this furniture without first removing all equipment.
- NEVER placing remote control or toys on the furniture, may encourage a child to climb on the furniture and as a result the furniture may tip over onto the child.
- Please contact us using the details shown for further advice

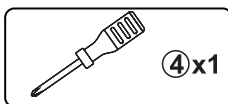
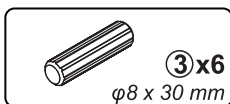
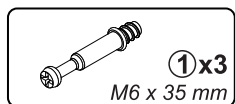
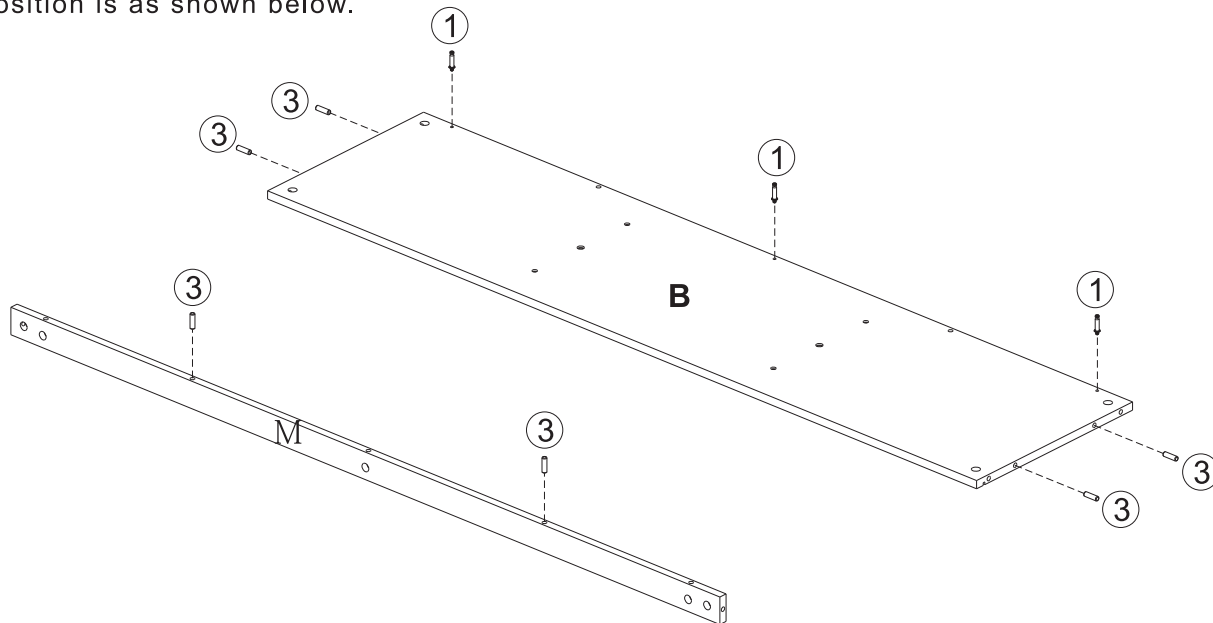


## Step 1

First, Install Part(1) on Panel (B),

Then, Insert the dowel part(3) into panels(B) and (M).

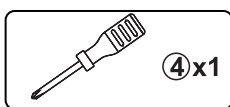
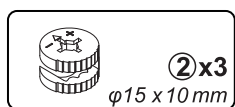
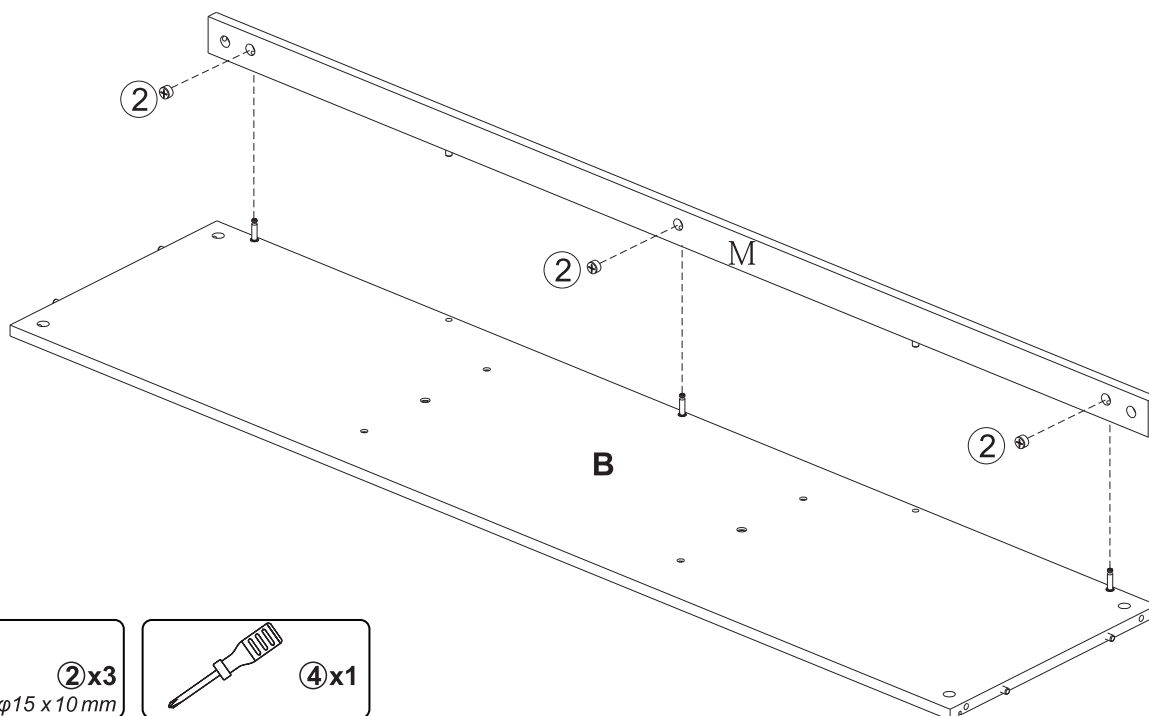
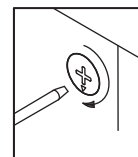
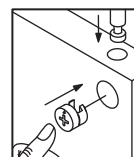
The position is as shown below.



## Step 2

First insert panel(M) and panel(B).

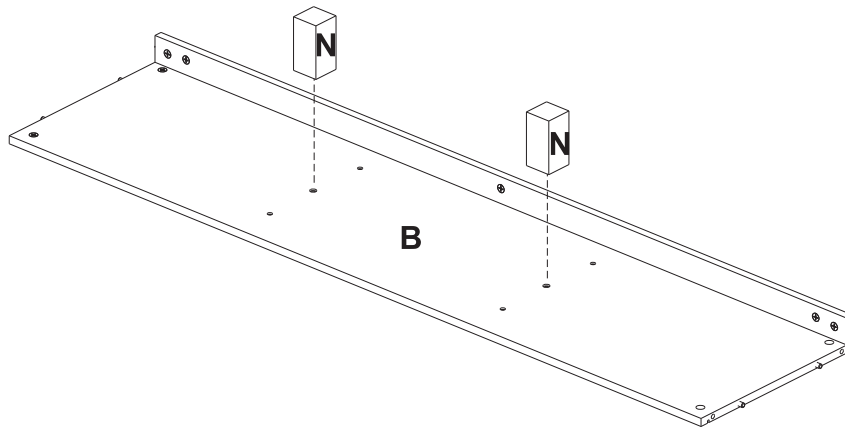
Then, put part(2) into the corresponding hole and use a flat-blade screwdriver to turn it clockwise to tighten. The installation position is as shown below.



### Step 3

Insert panel(N) on panel(B).

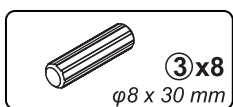
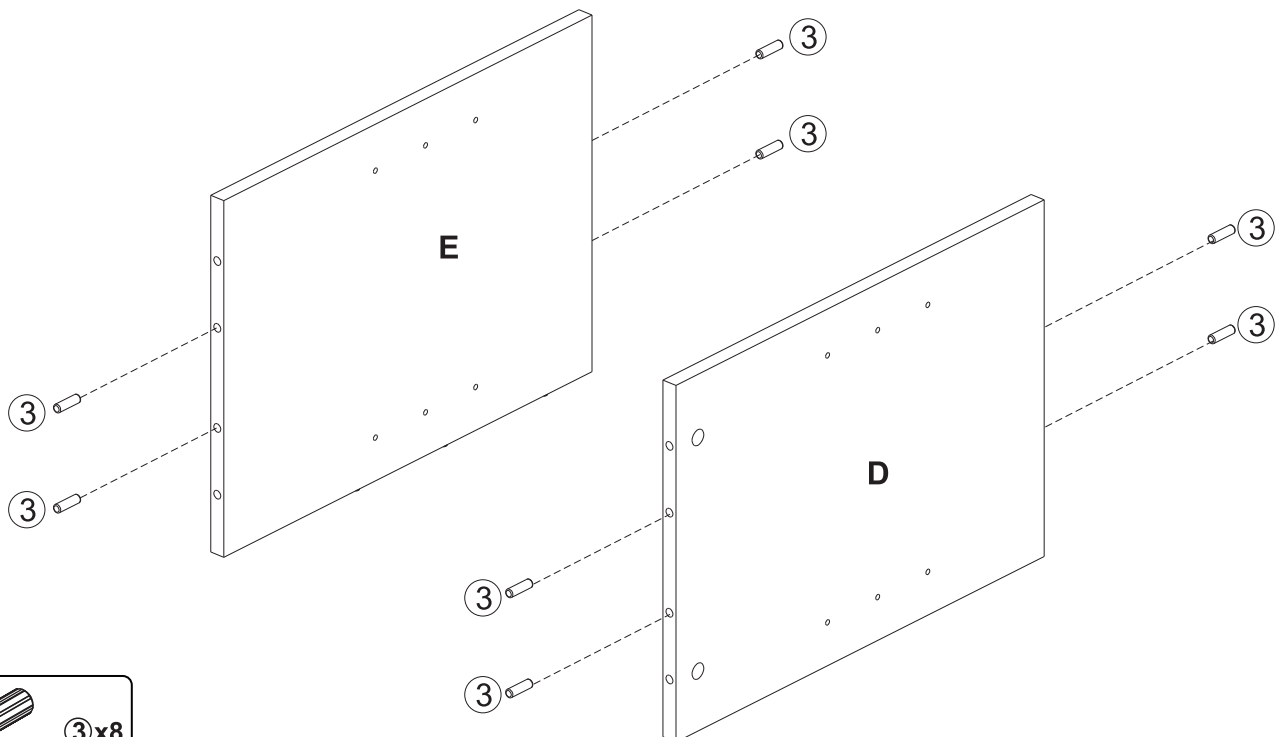
The position is as shown below.



### Step 4

Install the Part(3) on the Panel(D) and (E).

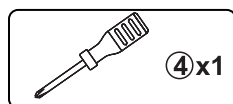
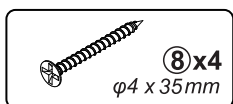
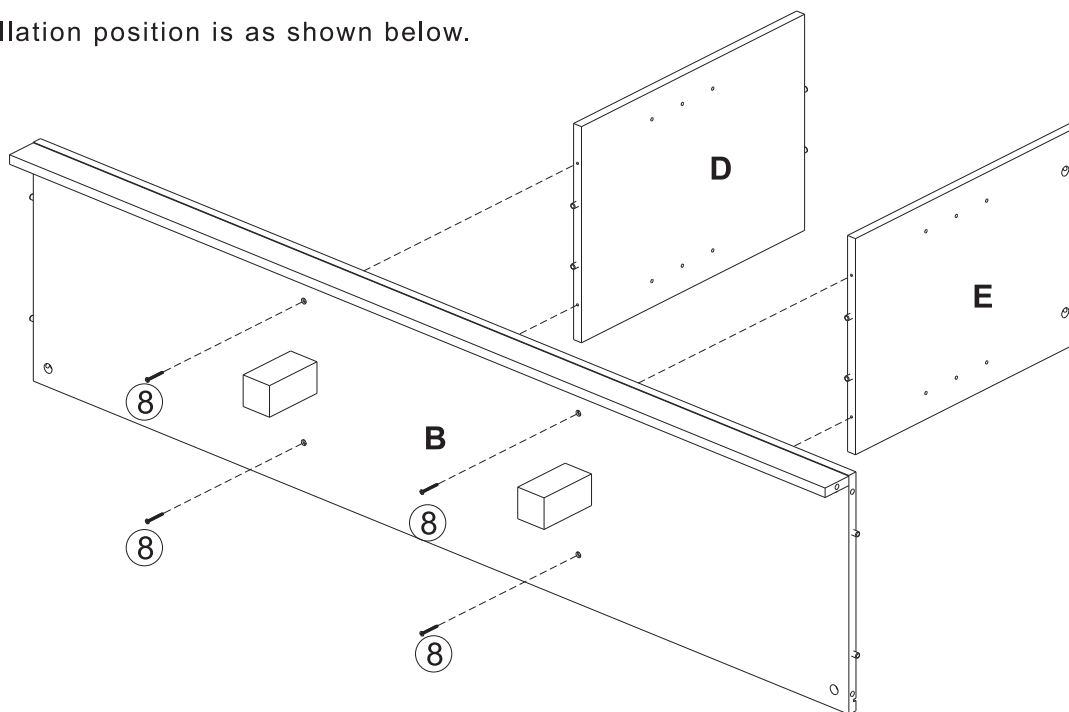
The installation position is as shown below.



## Step 5

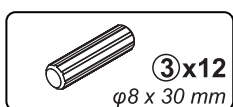
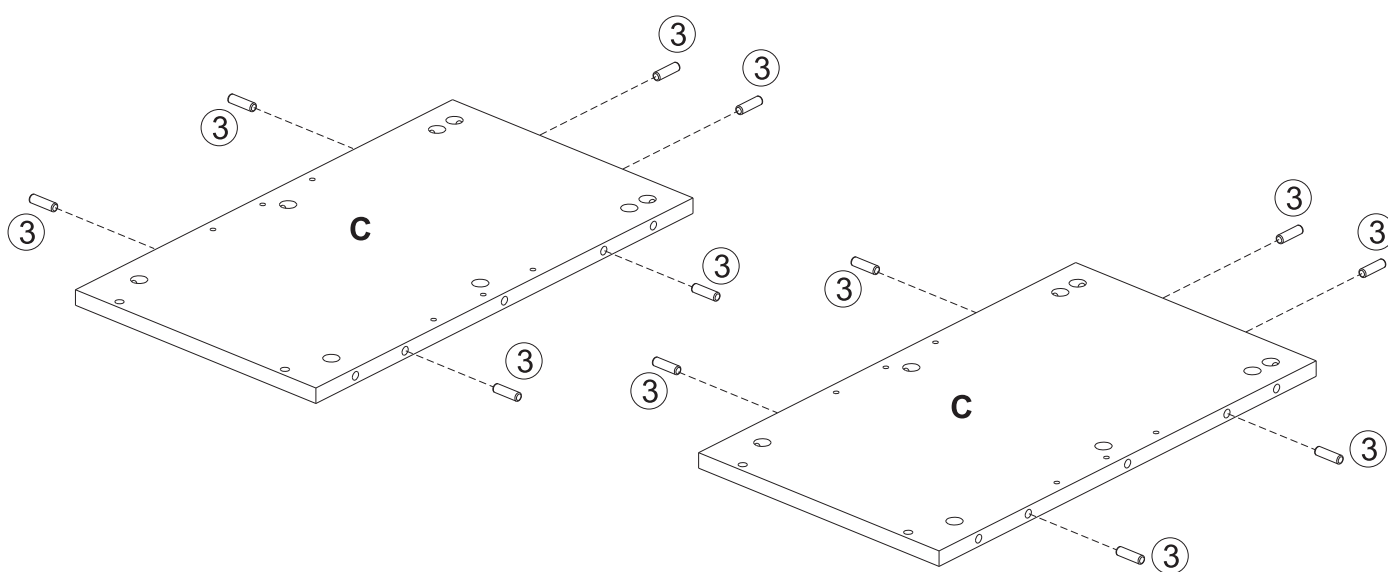
Assemble panel(B) and panel(D)(E) by using part(8).

The installation position is as shown below.



## Step 6

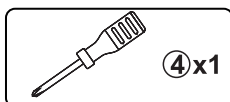
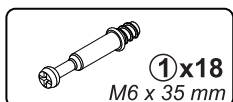
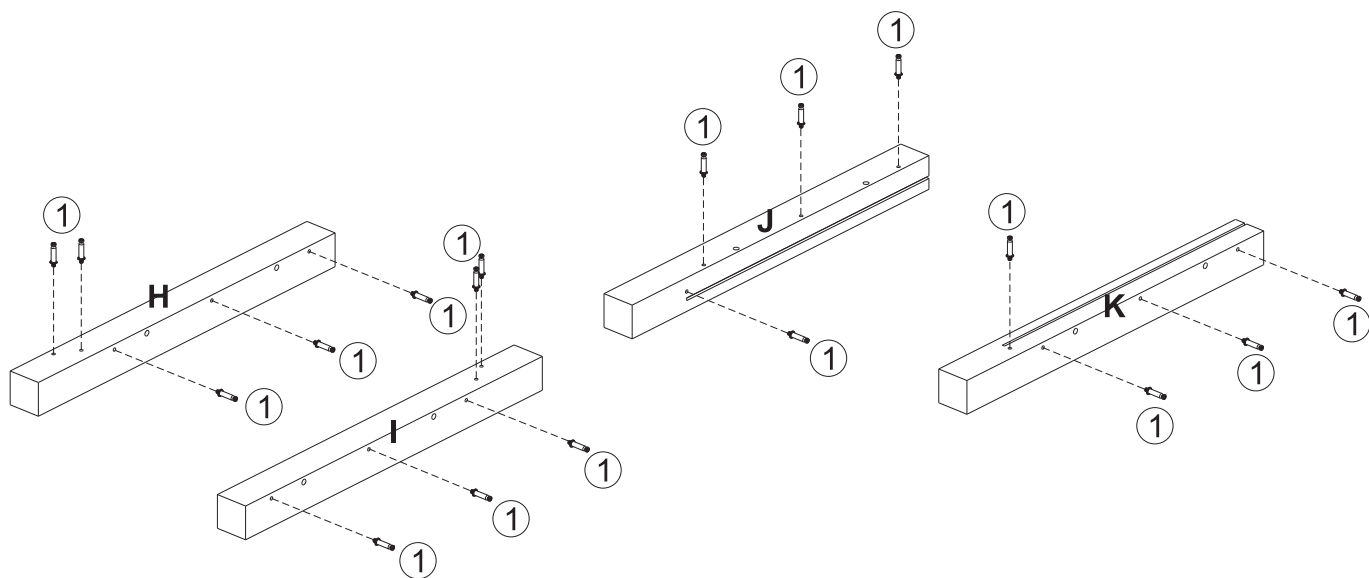
Install the dowel Part(3) on the Panel(C).



## Step 7

Install Part(1) on Panel (H)(I)(J)(K).

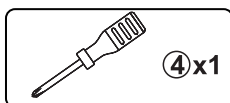
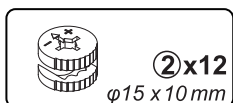
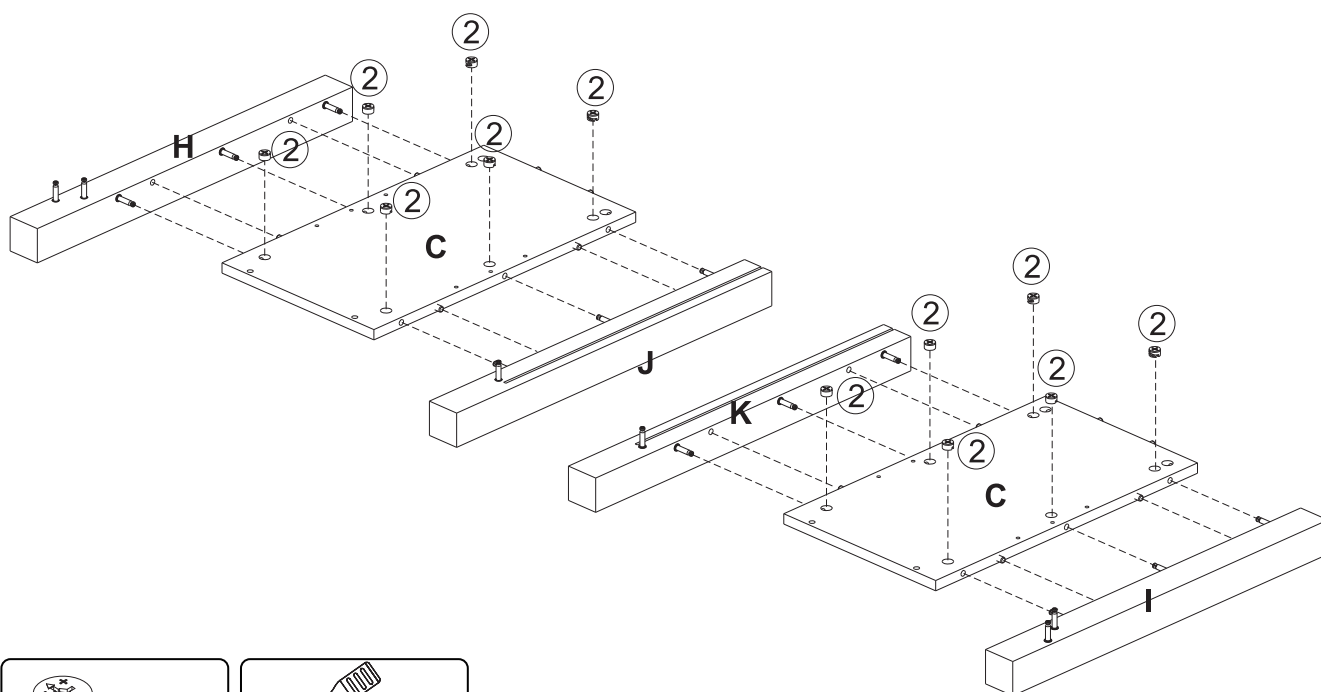
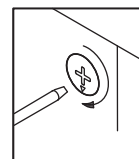
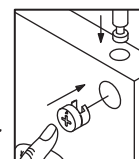
The position is as shown below.



## Step 8

First insert panel(C) and panel(H)(J), and insert panel(C) and panel(K)(I),

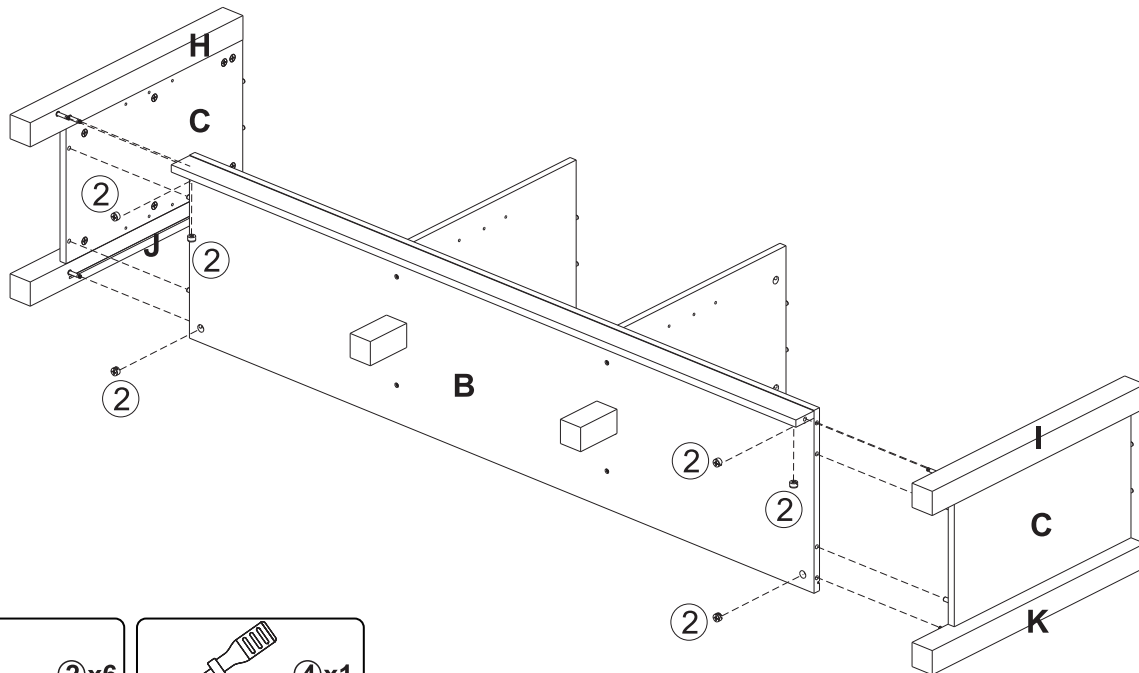
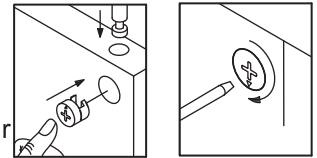
Then, put part(2) into the corresponding hole and use a flat-blade screwdriver to turn it clockwise to tighten. The installation position is as shown below.



## Step 9

First insert panel(B) and panel(H)(J)(C)(I)(K)(B).

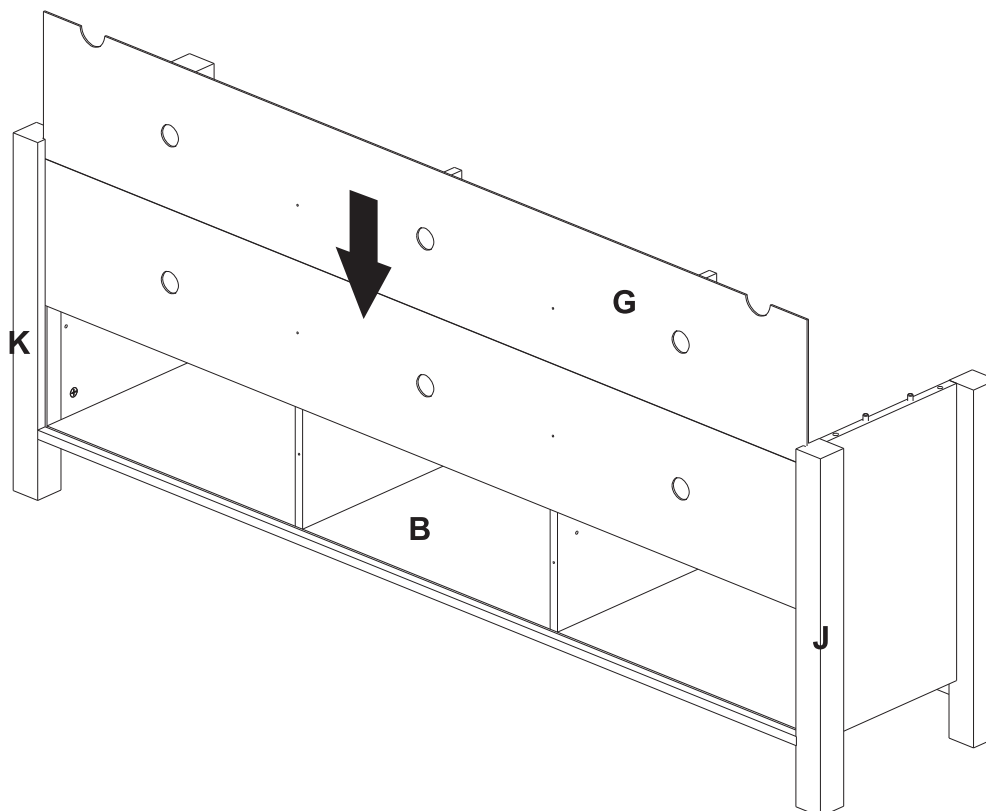
Then, put part(2) into the corresponding hole and use a flat-blade screwdriver to turn it clockwise to tighten. The installation position is as shown below.



## Step 10

Insert panel(G) along the slot.

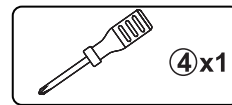
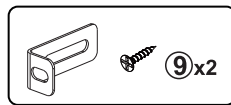
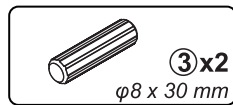
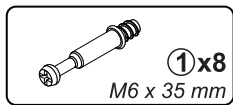
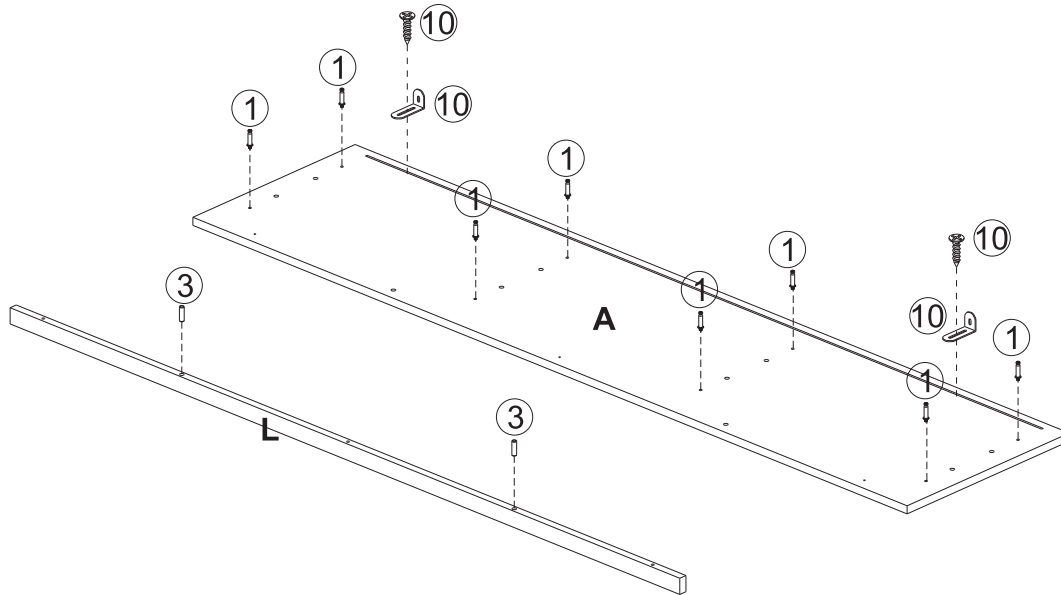
The position is as shown below.



## Step 11

First, Insert the dowel part(3) into panels(L).

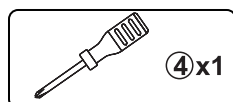
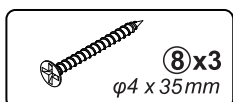
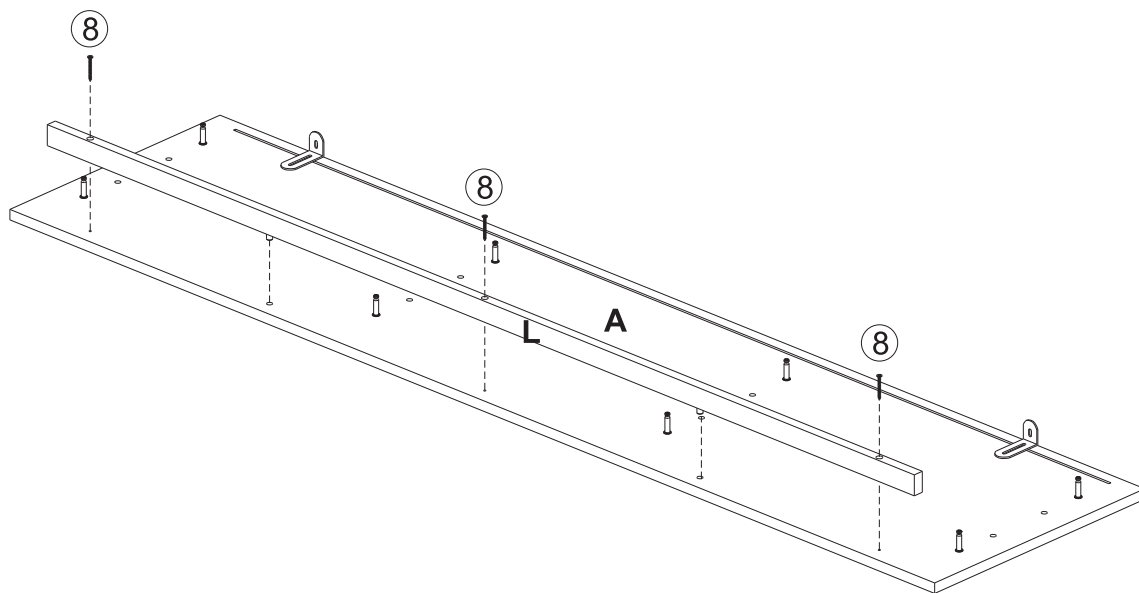
Then, Insert part(1) and part(10) into panel(A).



## Step 12

Assemble panel(L) and panel(A) by using part(8).

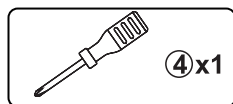
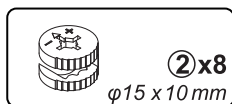
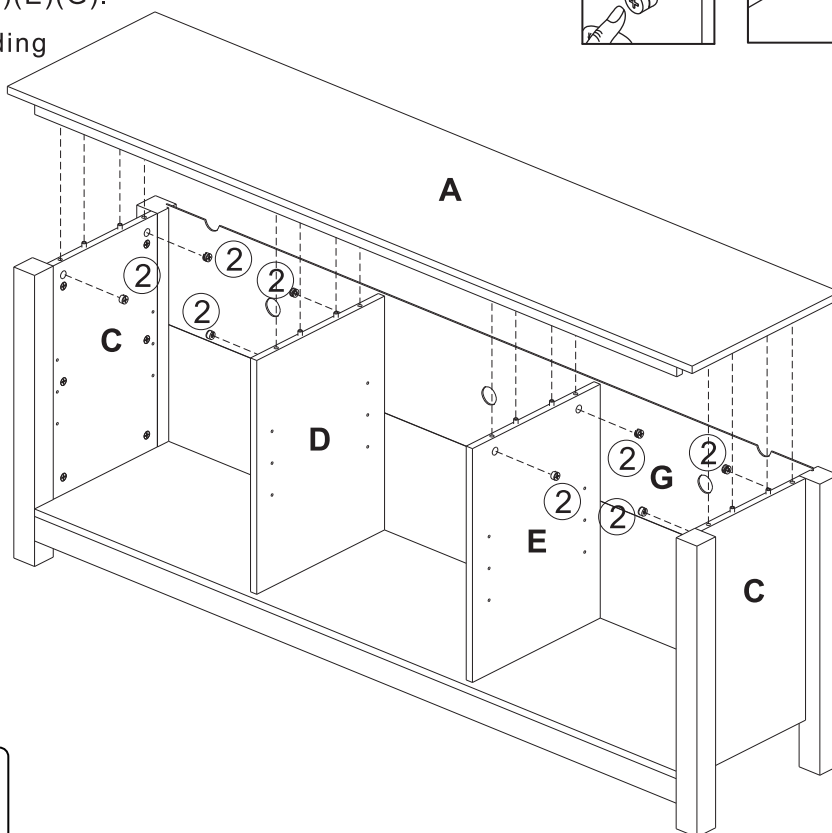
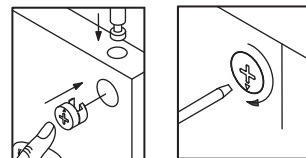
The installation position is as shown below.



## Step 13

First insert panel(A) and panel(D)(C)(E)(G).

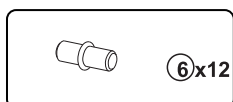
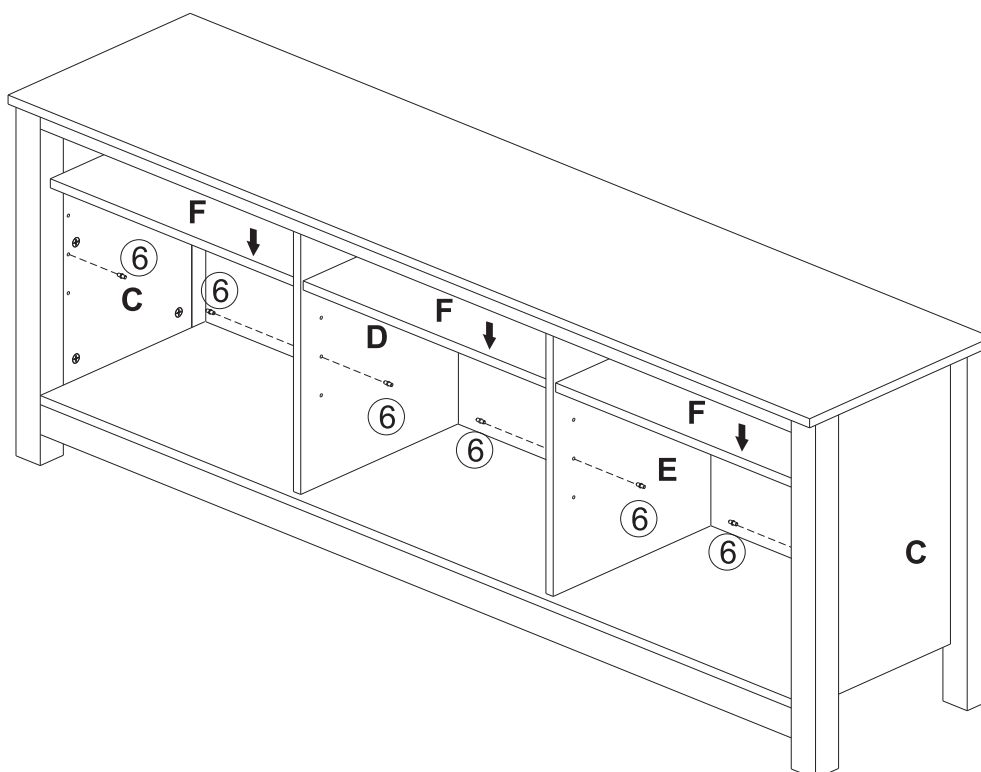
Then, put part(2) into the corresponding hole and use a flat-blade screwdriver to turn it clockwise to tighten. The installation position is as shown below.



## Step 14

First, put part(6) into panel(C)(D)(E),

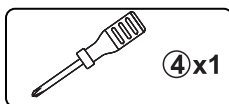
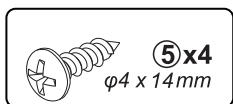
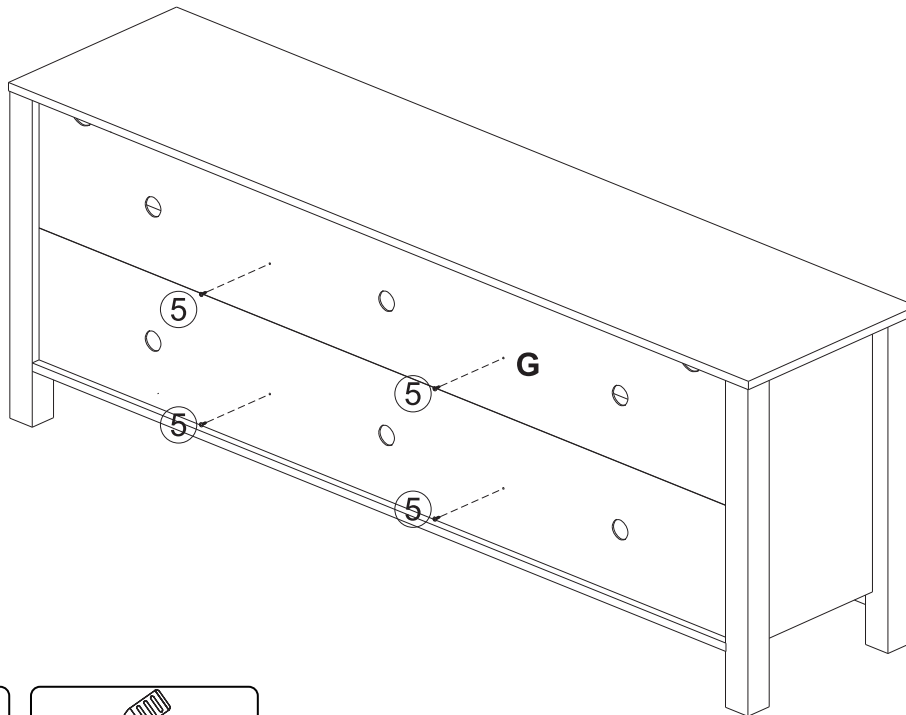
Then, put panel(F) on part (6).



## Step 15

Assemble panel(G)and(D)(E) by using part(5),

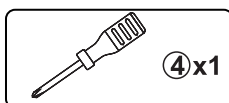
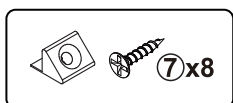
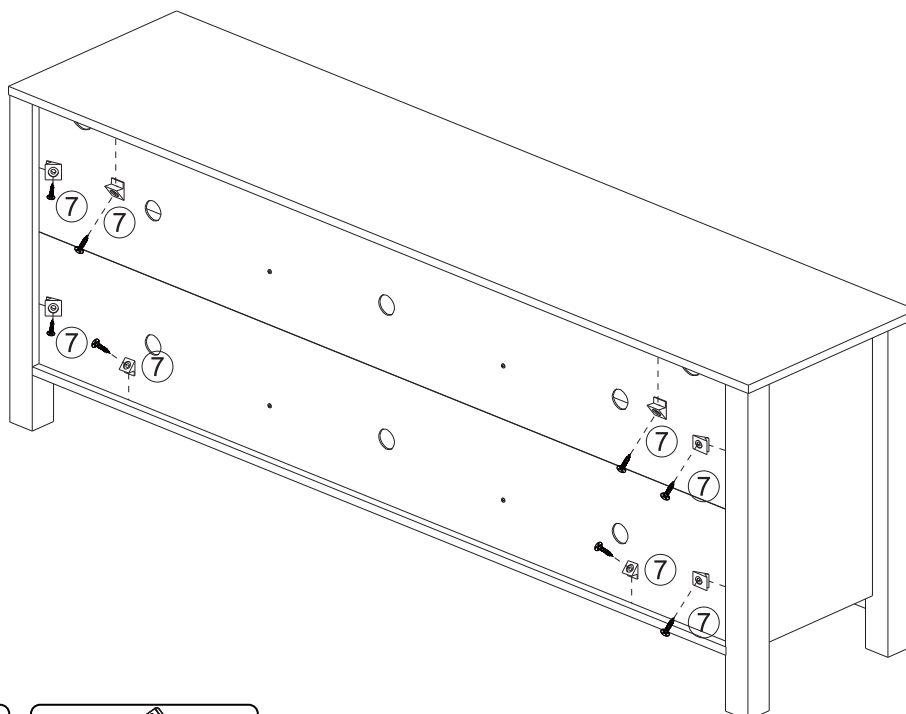
The installation position is as shown below.



## Step 16

Install the back plate clips.

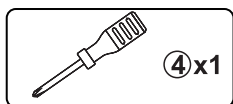
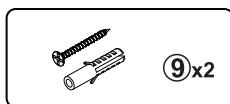
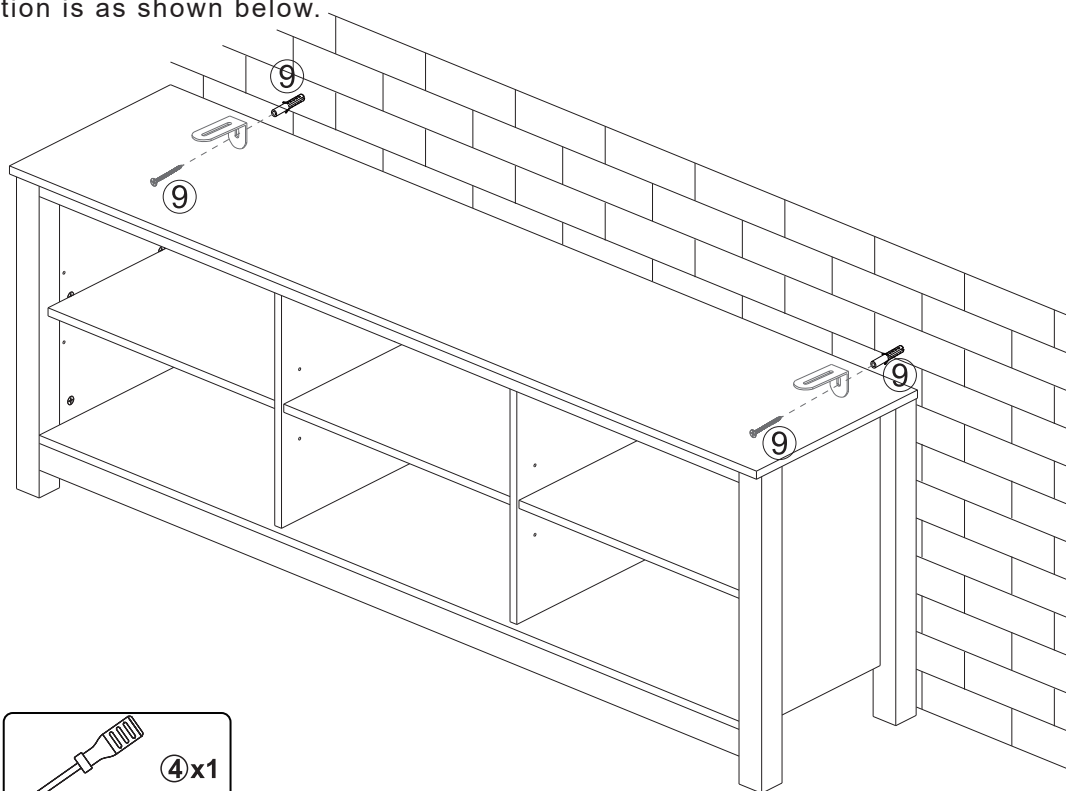
The installation position is as shown below.



## Step 17

Install anti-tipping.

The installation position is as shown below.



## Step 18

Congratulations!

You've won a perfect piece of furniture!

