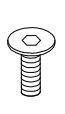
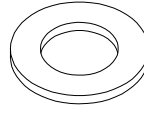
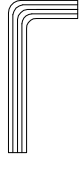
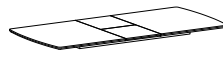
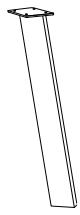
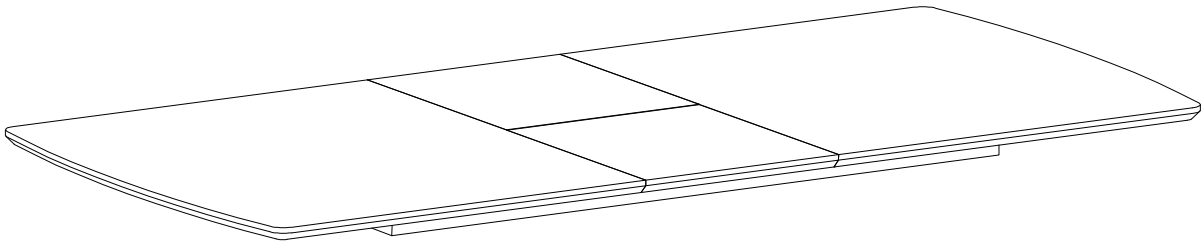


Diagram illustrating assembly instructions and safety warnings:

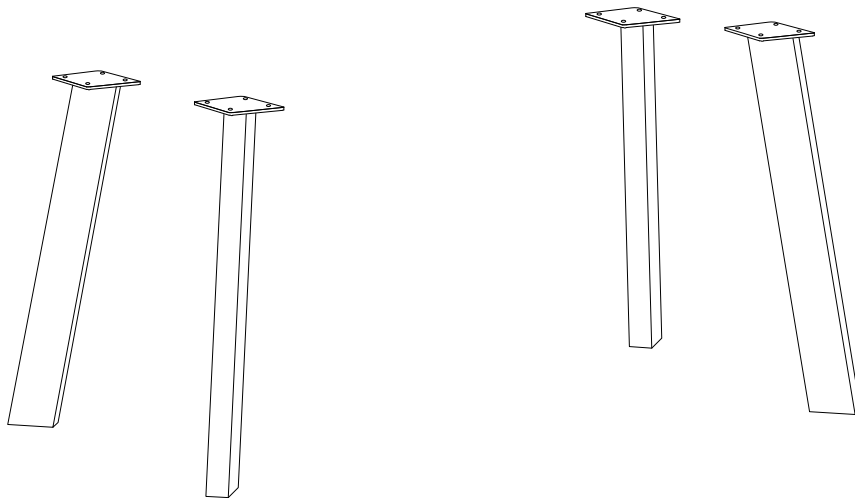
- Top Section:** Shows an L-shaped bracket being inserted into a hole in the table top. A power drill is shown with a diagonal line through it, indicating that a power drill should not be used for this step. A warning triangle with an exclamation mark is positioned to the right.
- Bottom Section:** Shows a rectangular block being placed on a surface. A power drill is shown with a diagonal line through it, indicating that a power drill should not be used for this step. A warning triangle with an exclamation mark is positioned to the right.
- Time:** A clock icon is shown with the text "20'" below it, indicating a 20-minute assembly time.
- Personnel:** A person icon is shown with the number "2" below it, indicating that two people are required for assembly.

<p><b>A</b></p>  <p>M8 x 20</p> <p><b>x 16</b></p>	<p><b>B</b></p>  <p><b>x 16</b></p>	<p><b>C</b></p>  <p><b>x 1</b></p>	<p><b>D</b></p>  <p><b>x 1</b></p>	<p><b>E</b></p>  <p><b>x 4</b></p>
---	--	---	--	---


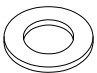



D

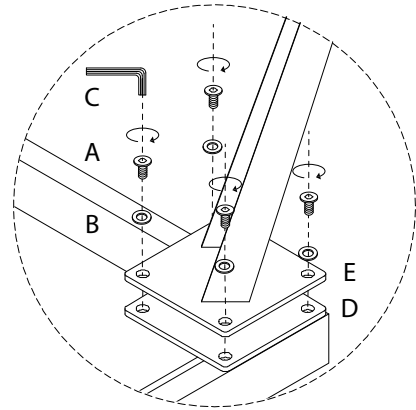
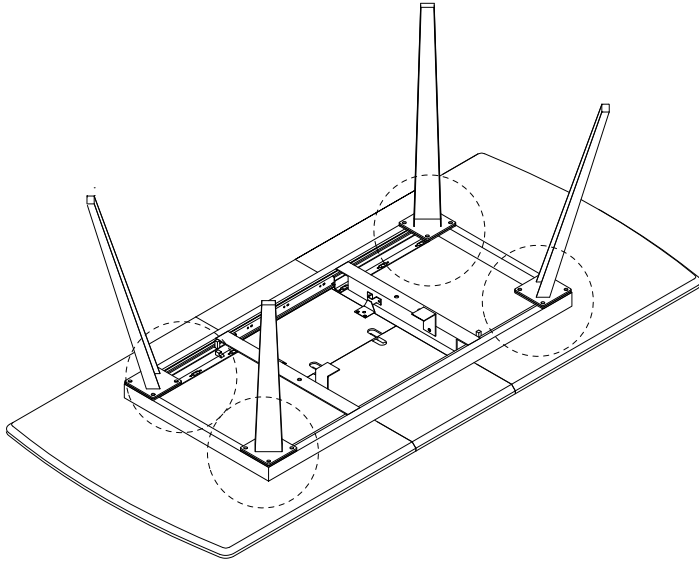


E x 4

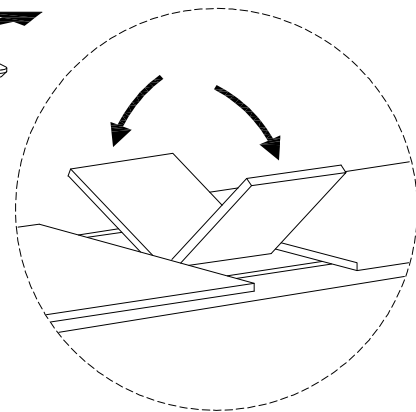
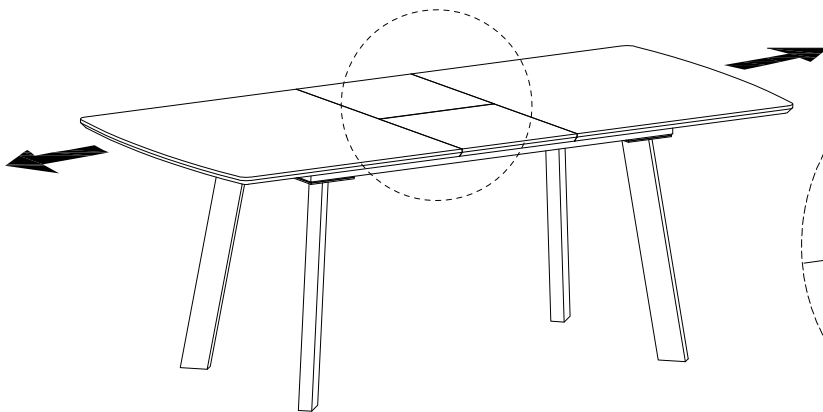


1

<p>A</p>  <p>M8 x 20</p> <p>x 16</p>	<p>B</p>  <p>x 16</p>	<p>C</p>  <p>x 1</p>	<p>D</p>  <p>x 1</p>	<p>E</p>  <p>x 4</p>
---	--	---	---	---



!



!

