

# ASSEMBLY INSTRUCTION

Thank you for purchasing this quality product. Be sure to check all packing material carefully for small parts which may have come loose inside the carton during shipment. Separate, identify and count all parts and hardware. Compare with the parts list to be sure all parts are present.

**IMPORTANT : PLEASE READ INSTRUCTION BEFORE STARTING THE ASSEMBLY.**

**"DO NOT TIGHTEN SCREWS UNTIL COMPLETELY ASSEMBLED"**

**"DO NOT OVERTIGHT ANY HARDWARE"**

**WARNING : SMALL PARTS AND HARDWARE NOT FOR CHILDREN UNDER 3 YEARS. ADULT ASSEMBLY REQUIRED.**

## TABLE OF CONTENTS

HARDWARES LIST	PAGE 2
PARTS LIST	PAGE 3
PARTS' LOCATION	PAGE 4
ASSEMBLY STEPS	PAGE 5 - 7
ASSEMBLY COMPLETED	PAGE 8

## ASSEMBLY TOOLS REQUIRED

### 1. Screwdriver (not provide)



### 2. Hammer (not provide)

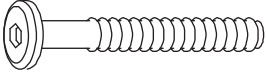
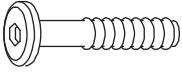
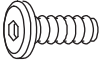












Skip the power drill this time.



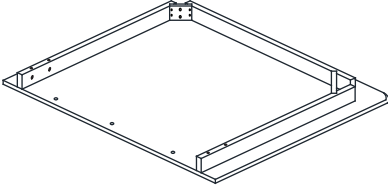
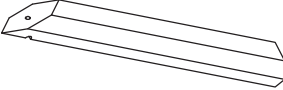
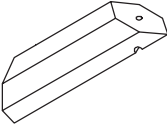
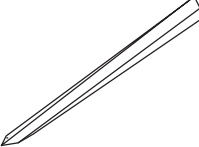
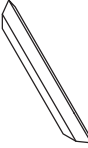
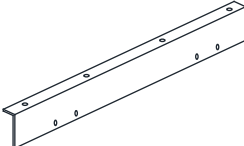
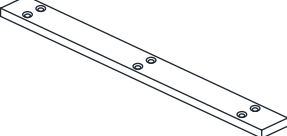
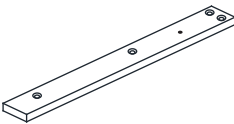
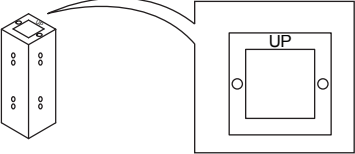
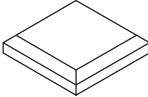
# ASSEMBLY INSTRUCTION

## HARDWARES LIST

ITEM	DESCRIPTION	DRAWING	QTY
A	JCBC SCREW M6 x 55MM		4 PCS
B	JCBC SCREW M6 x 30MM		14 PCS
C	JCBC SCREW M6 x 15MM		16 PCS
D	HEX NUT 5/16		8 PCS
E	WOOD DOWEL M8 x 20MM		2 PCS
F	WOOD DOWEL M16 x 40MM		8 PCS
G	SPRING WASHER M6 x 12MM		14 PCS
H	FLAT WASHER M6 x 19MM		14 PCS
I	SPRING WASHER M8 x13MM		8 PCS
J	FLAT WASHER M8 x 22MM		8 PCS
K	M4 ALLEN KEY (100MM)		1 PC
L	SPANNER 13MM		1 PC
M	SUPPORT LEG ADJUSTABLE FEET		4 PCS

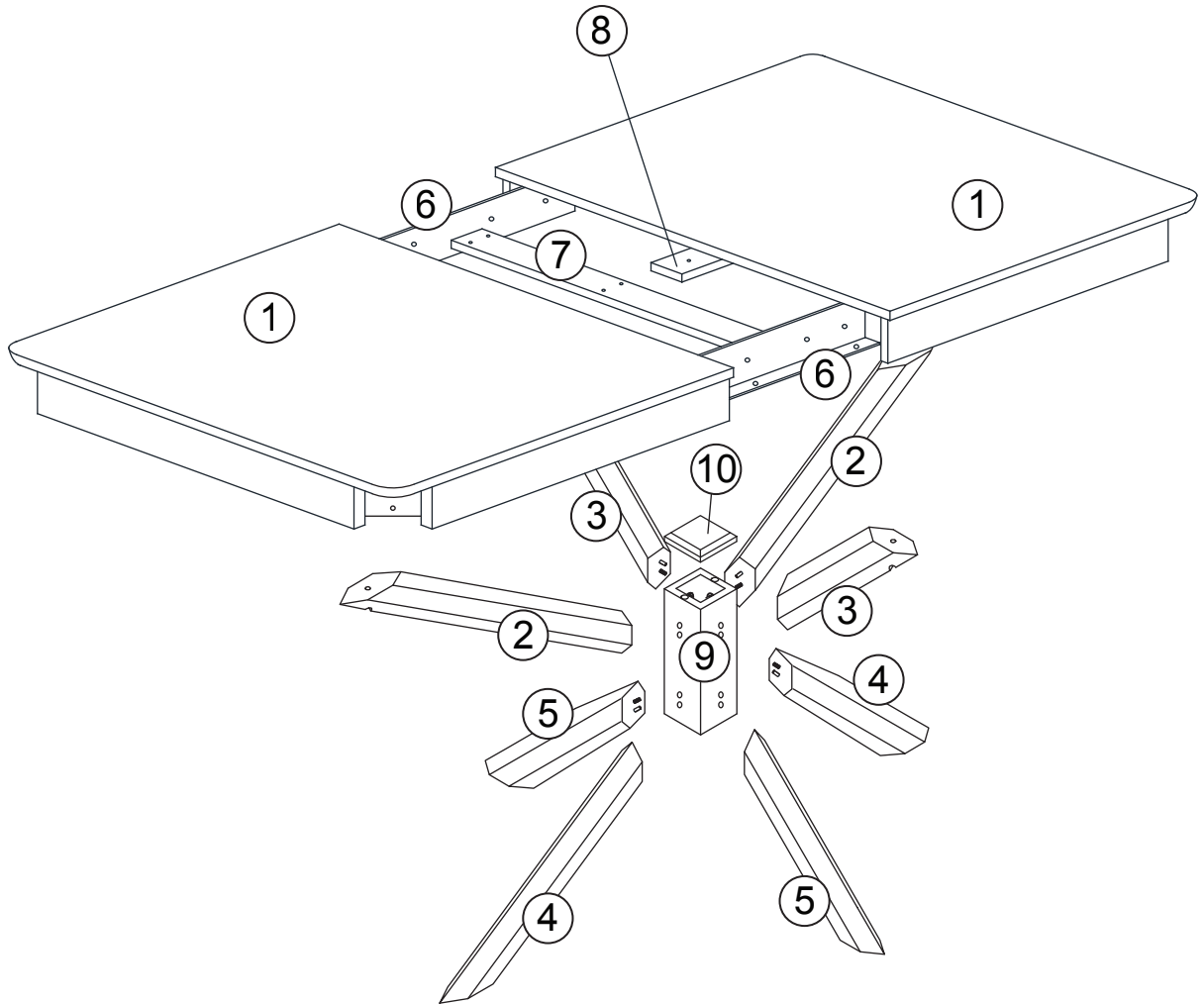
# ASSEMBLY INSTRUCTION

## PARTS LIST

ITEM	DESCRIPTION	DRAWING	QTY
1	TABLE TOP		2 PCS
2	TOP LEG (LONG)		2 PCS
3	TOP LEG (SHORT)		2 PCS
4	LOWER LEG (LONG)		2 PCS
5	LOWER LEG (SHORT)		2 PCS
6	METAL PLATE		2 PCS
7	CENTER SUPPORT (LONG)		1 PC
8	CENTER SUPPORT (SHORT)		2 PCS
9	PEDESTAL		1 PC
10	CAP		1 PC

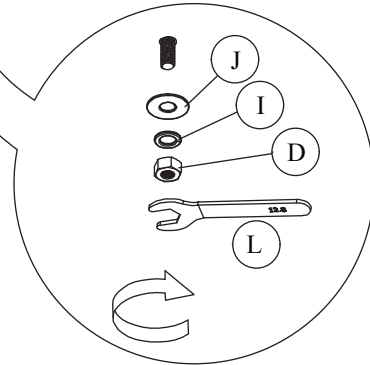
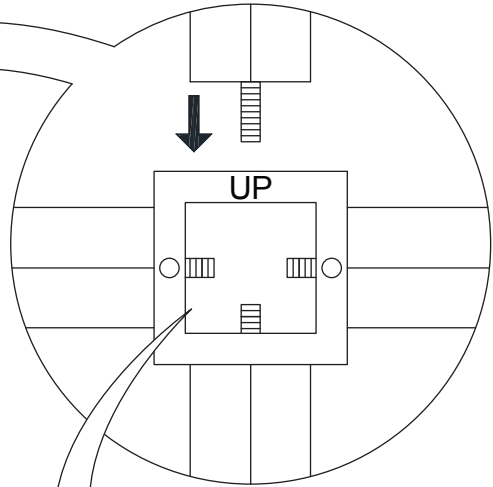
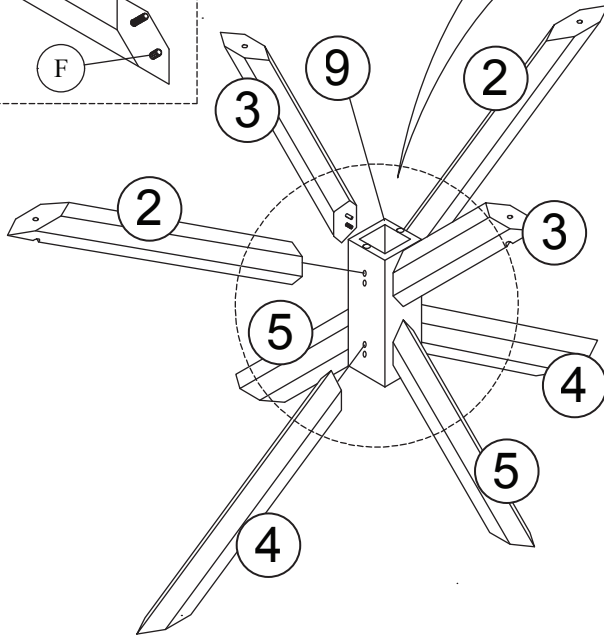
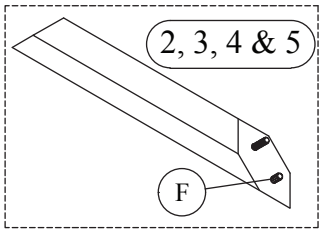
# ASSEMBLY INSTRUCTION

## PARTS ' LOCATION



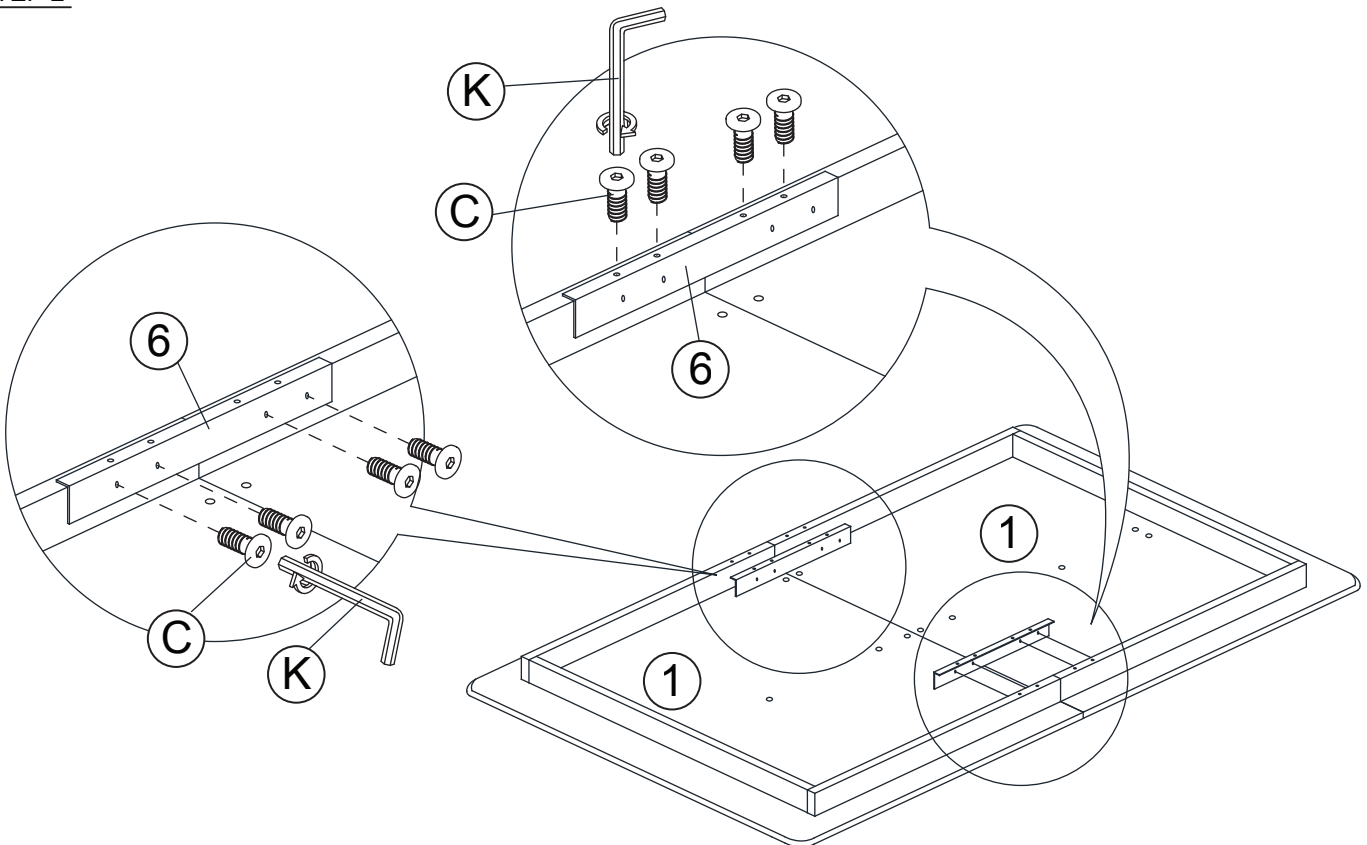
# ASSEMBLY INSTRUCTION

## STEP 1



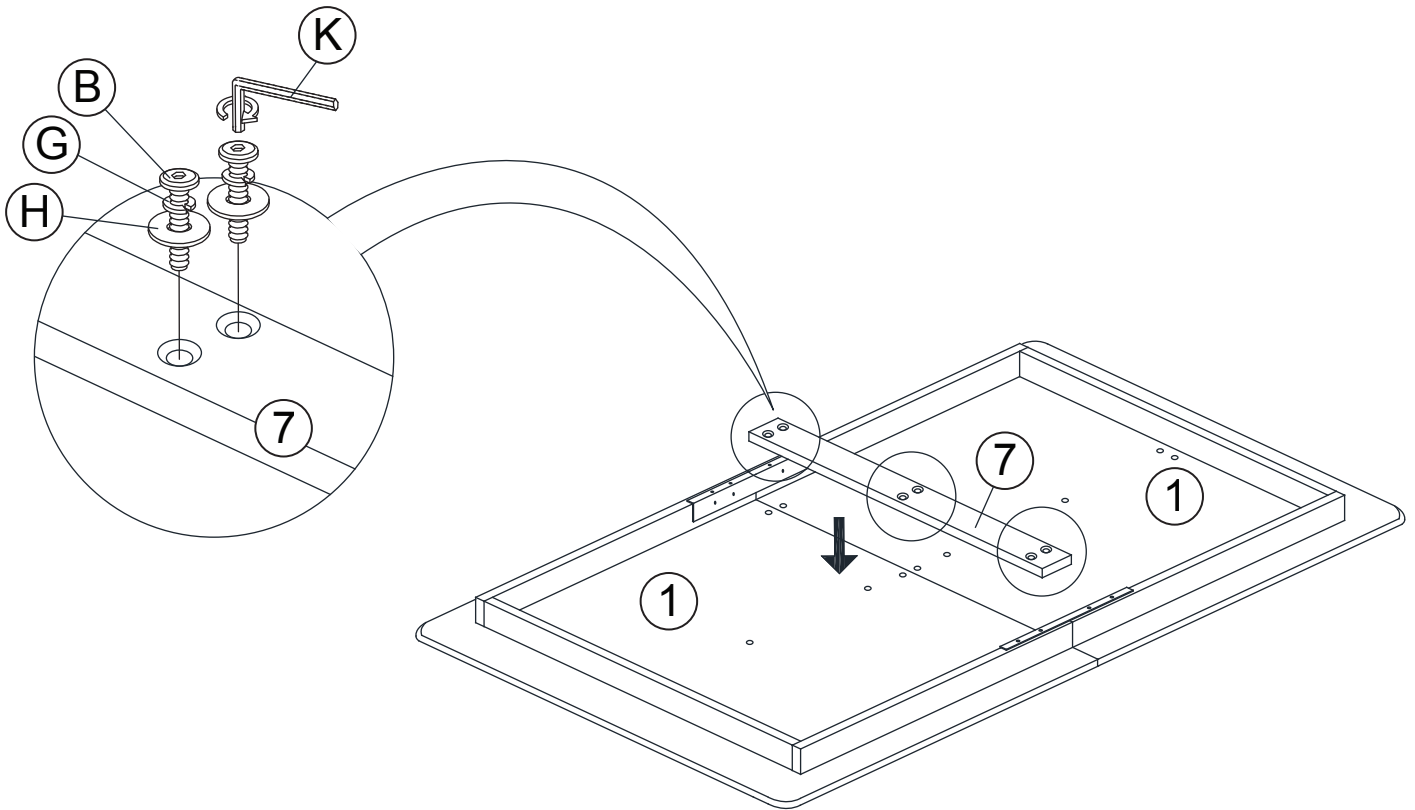
DO NOT fully tighten all screws until assembly is completed

## STEP 2

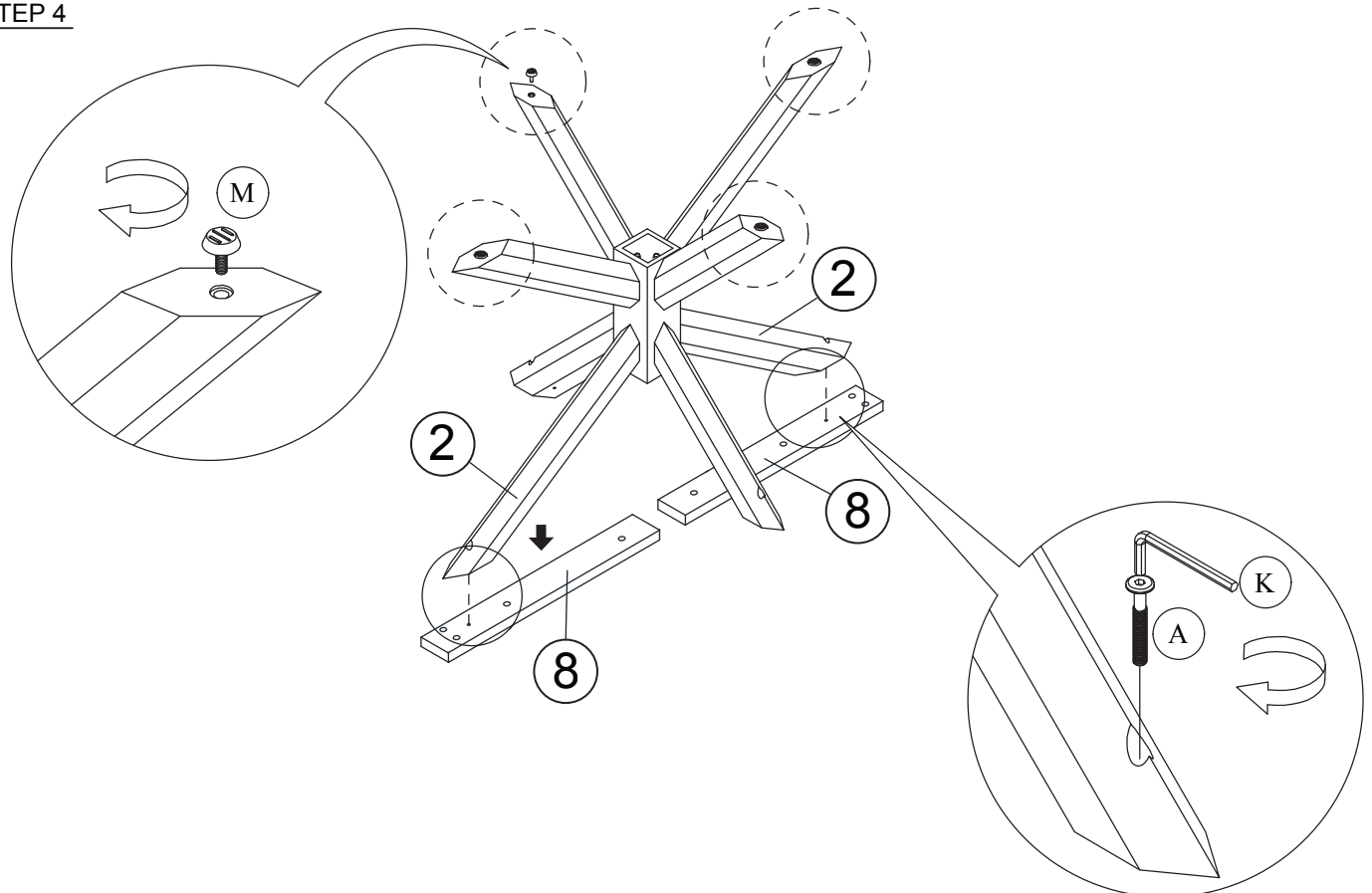


# ASSEMBLY INSTRUCTION

## STEP 3

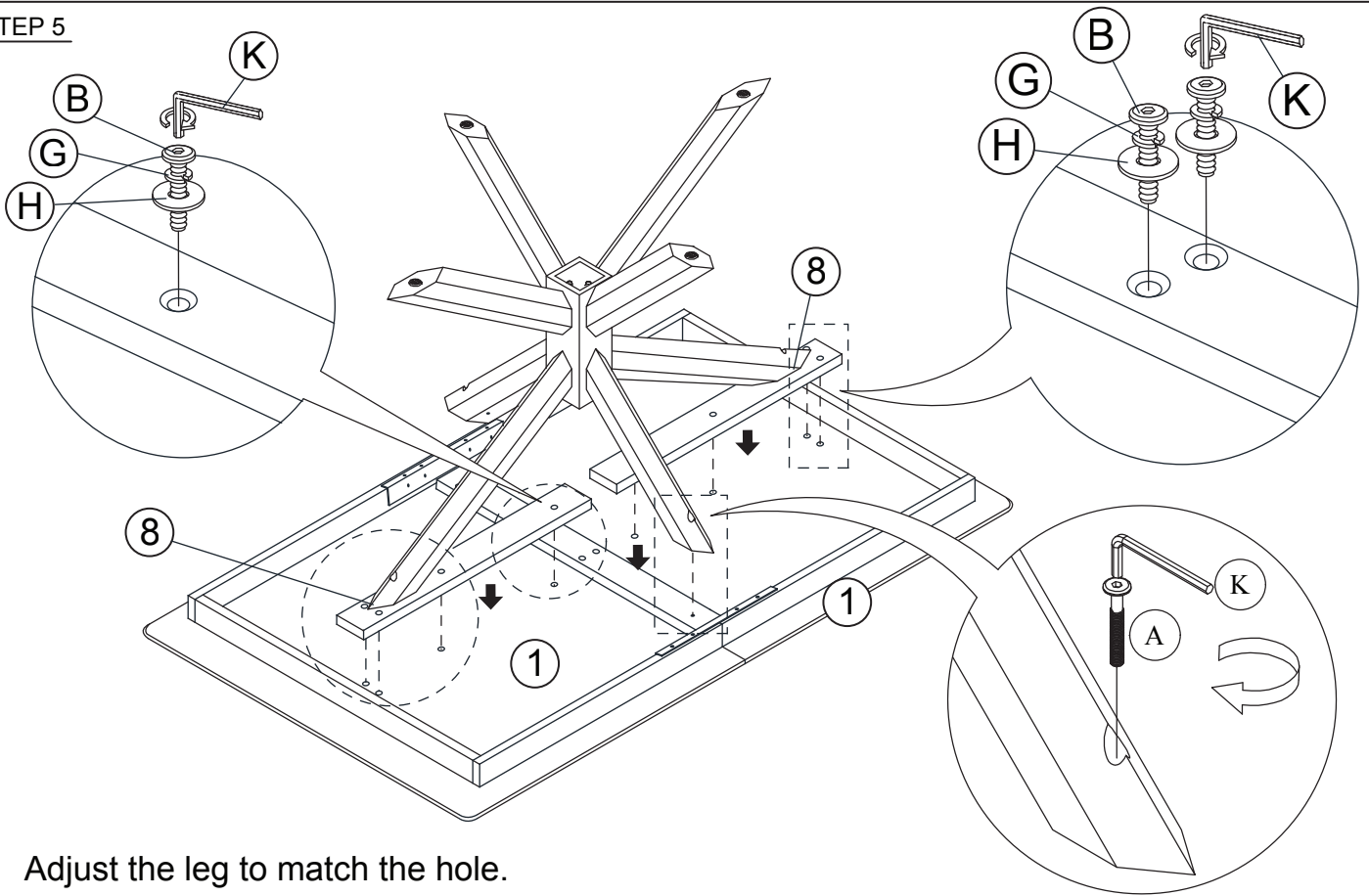


## STEP 4



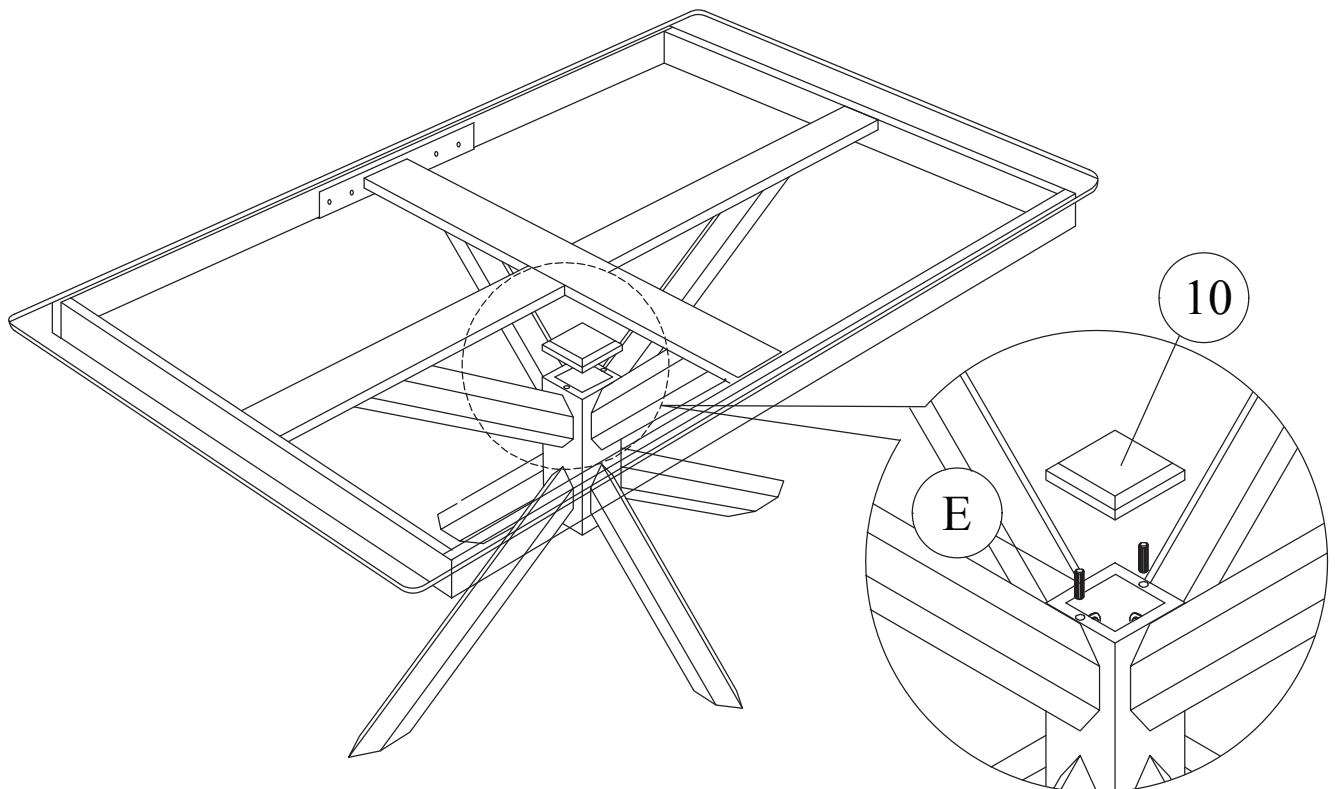
# ASSEMBLY INSTRUCTION

## STEP 5



Adjust the leg to match the hole.

## STEP 6



# ASSEMBLY INSTRUCTION

STEP 7



ASSEMBLY COMPLETED