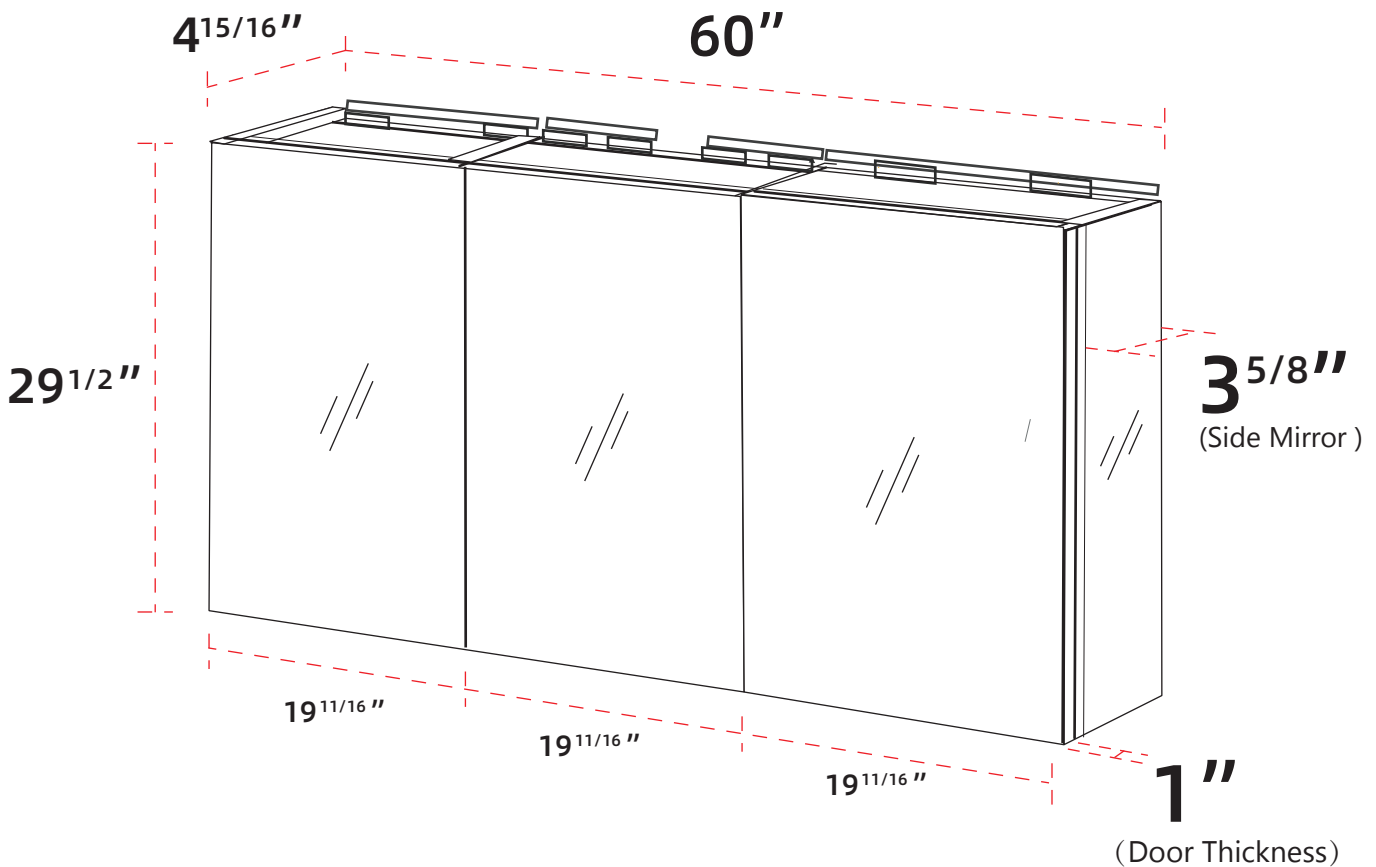


SIZE DETAILS

HIGH QUALITY MEDICINE CABINET

(FRONT VIEW)



KINDLY ATTENTION: To ensure a perfect installation, please measure the actual medicine cabinet size for the cutout and mark the area accordingly. Do not install the medicine cabinet until you have received it. Because the medicine cabinet dimensions may vary by up to 1/4 inch during manufacturing.



60-inch dimensions marked

The Opening Size for Recessed Mount

Width 58 3/4" (1492mm)

Height 29 3/16" (742mm)

Depth $\geq 4 \frac{5}{16}"$ ($\geq 110\text{mm}$)

(BACK VIEW)

