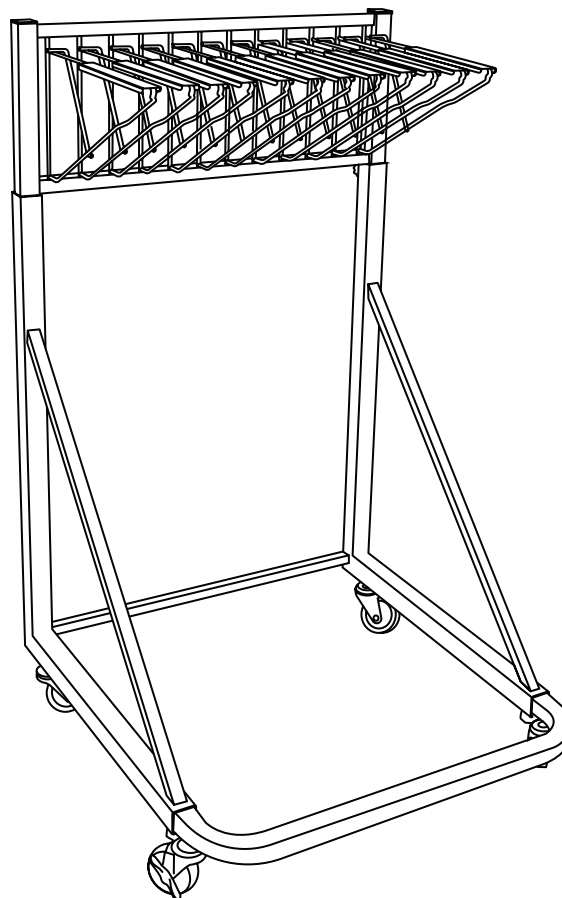




Vertical File

# Rolling Stand

ADI613  
**USER GUIDE**





# Thank you for your purchase.

.....

**AdirOffice has a commitment to  
deliver quality and stylish office  
furniture and equipment.**

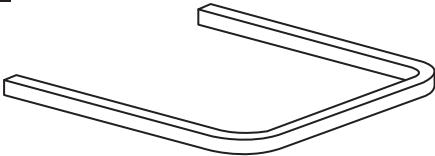
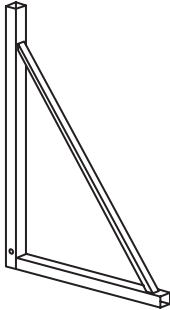
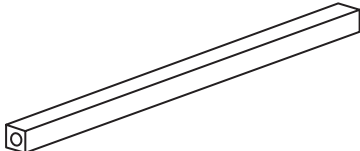
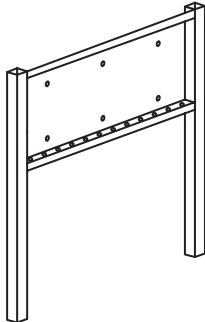
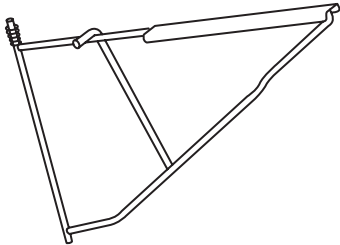
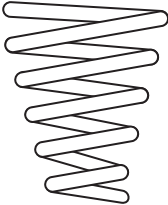
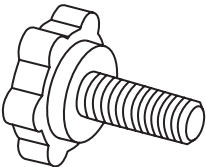
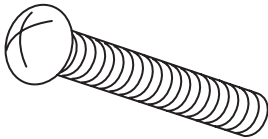
.....

We understand starting and maintaining a business is expensive enough. We can help you make it cost effective and beautiful. Plus, our expert team makes sure everything you need works as efficiently as possible.

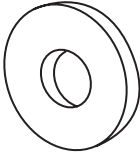
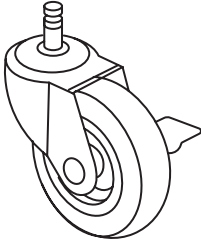
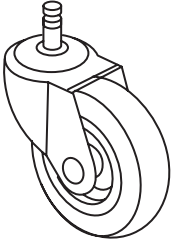
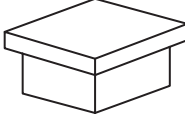
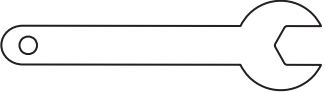
# Table of Contents

- 1** Parts List
- 3** Assembly Instructions
- 10** Notes
- 11** Limited Warranty

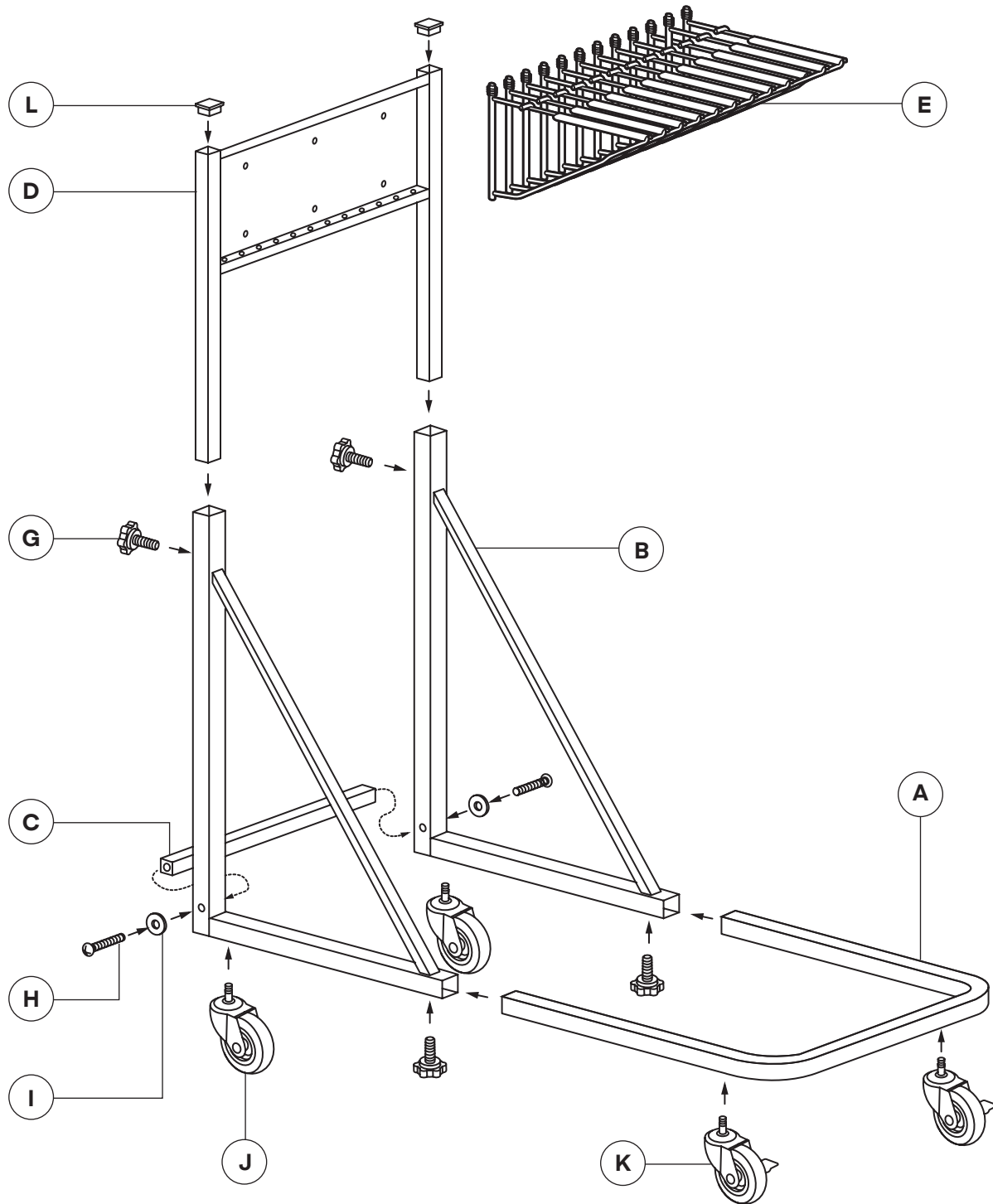
# Parts Included

<p><b>A</b></p>  <p>Horizontal Frame (1)</p>	<p><b>B</b></p>  <p>Side Frames (2)</p>
<p><b>C</b></p>  <p>Cross Bar (1)</p>	<p><b>D</b></p>  <p>Vertical Frame (1)</p>
<p><b>E</b></p>  <p>Hanger (12)</p>	<p><b>F</b></p>  <p>Spring (12)</p>
<p><b>G</b></p>  <p>Setting Knob (4)</p>	<p><b>H</b></p>  <p>Screw (2)</p>

# Parts Included

<p><b>I</b></p>  <p>Washer (2)</p>	<p><b>J</b></p>  <p>Locking Castor Wheel (2)</p>
<p><b>K</b></p>  <p>Castor Wheel (2)</p>	<p><b>L</b></p>  <p>Tube Plug (2)</p>
<p><b>M</b></p>  <p>Wrench (1)</p>	

# Assembly Instructions

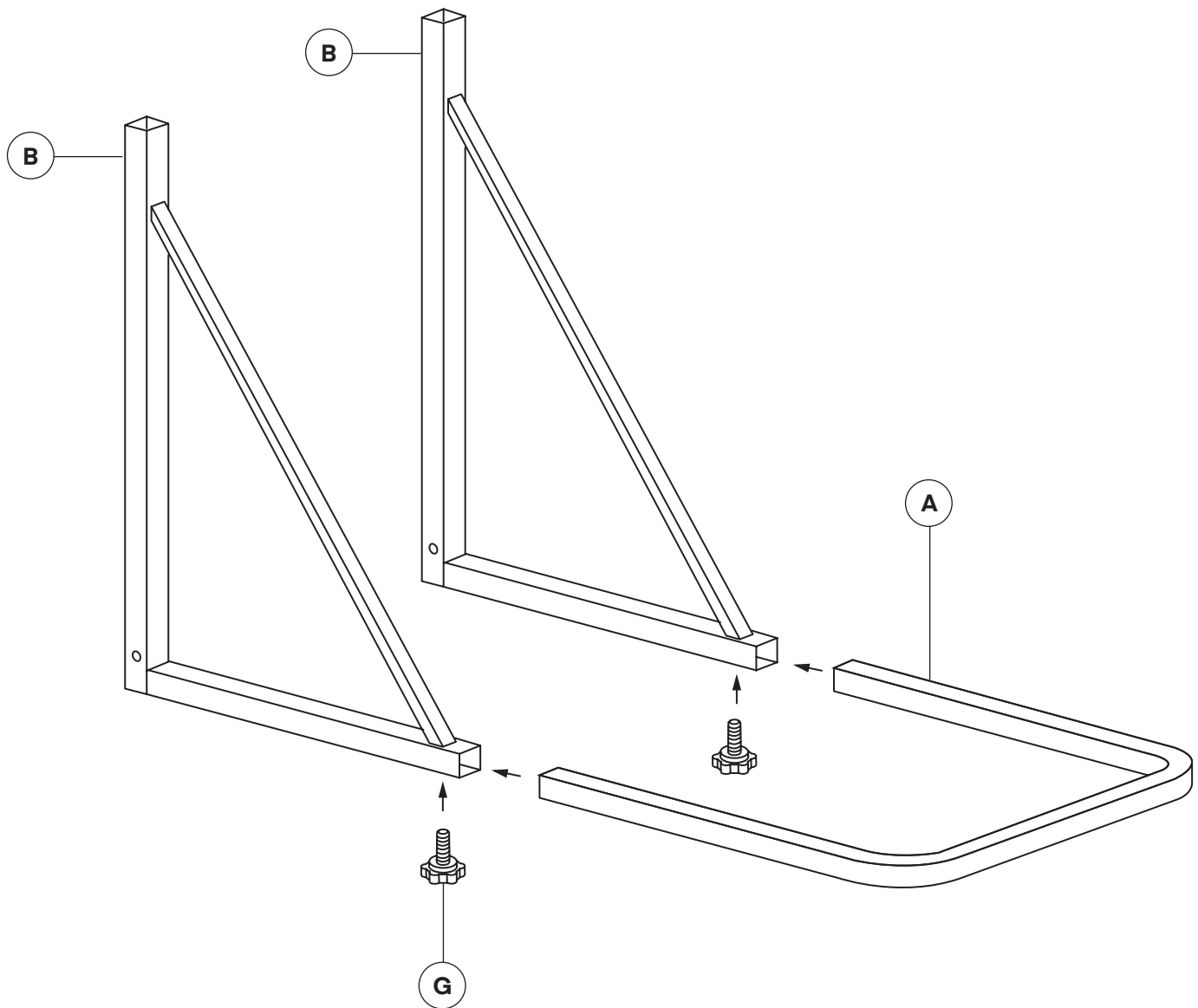


# Assembly Instructions

## STEP 1

Slide horizontal frame (A) 6" into (B) lower two side frames.

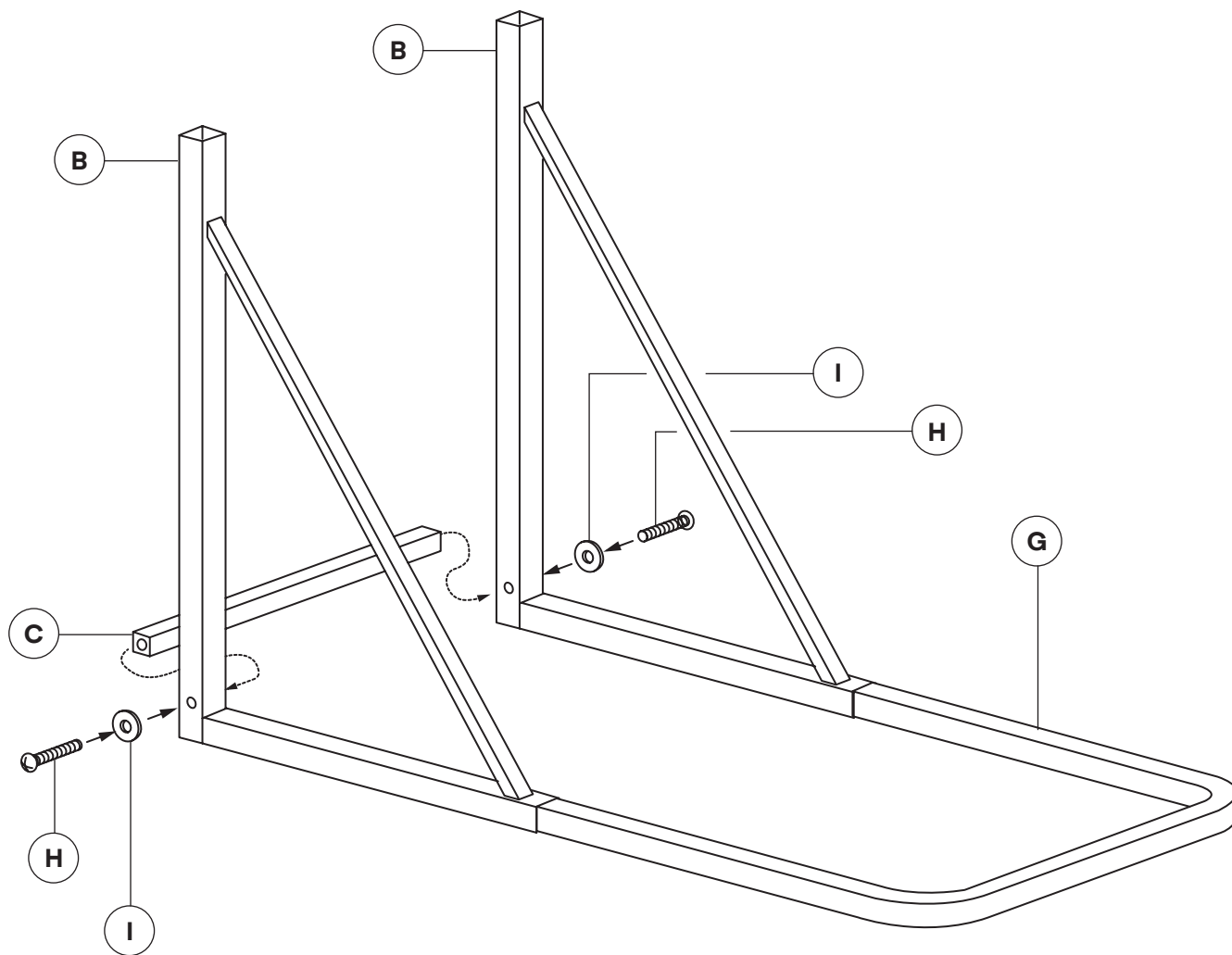
Socket holes should face down. Insert setting knobs (G) into socket holes. Do not tighten.



# Assembly Instructions

## STEP 2

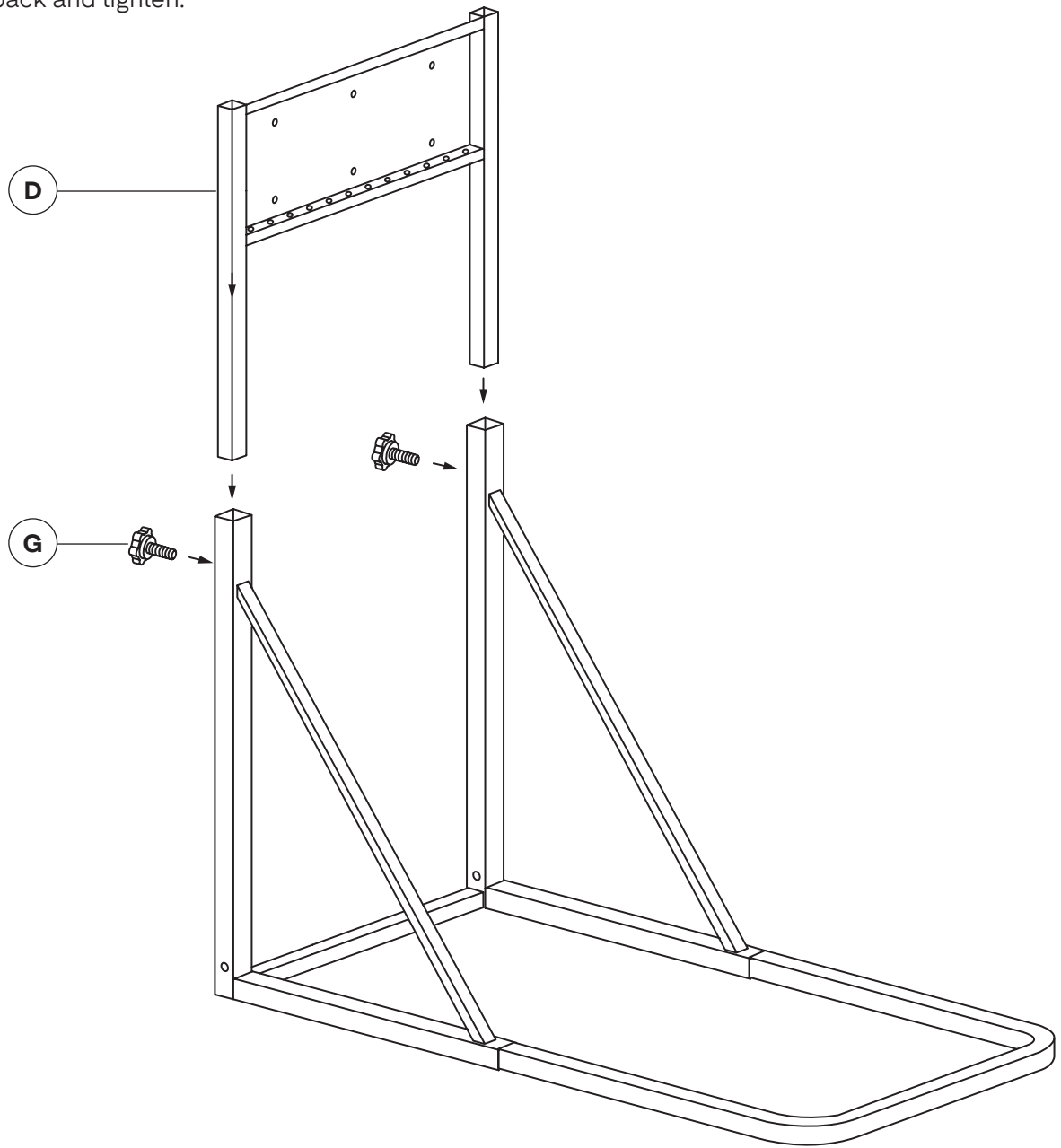
Insert screws (H) with washer (I) into cross bar (C) into the two sideframes (B),  
Placing the cross bar between the two side frames.



# Assembly Instructions

## STEP 3

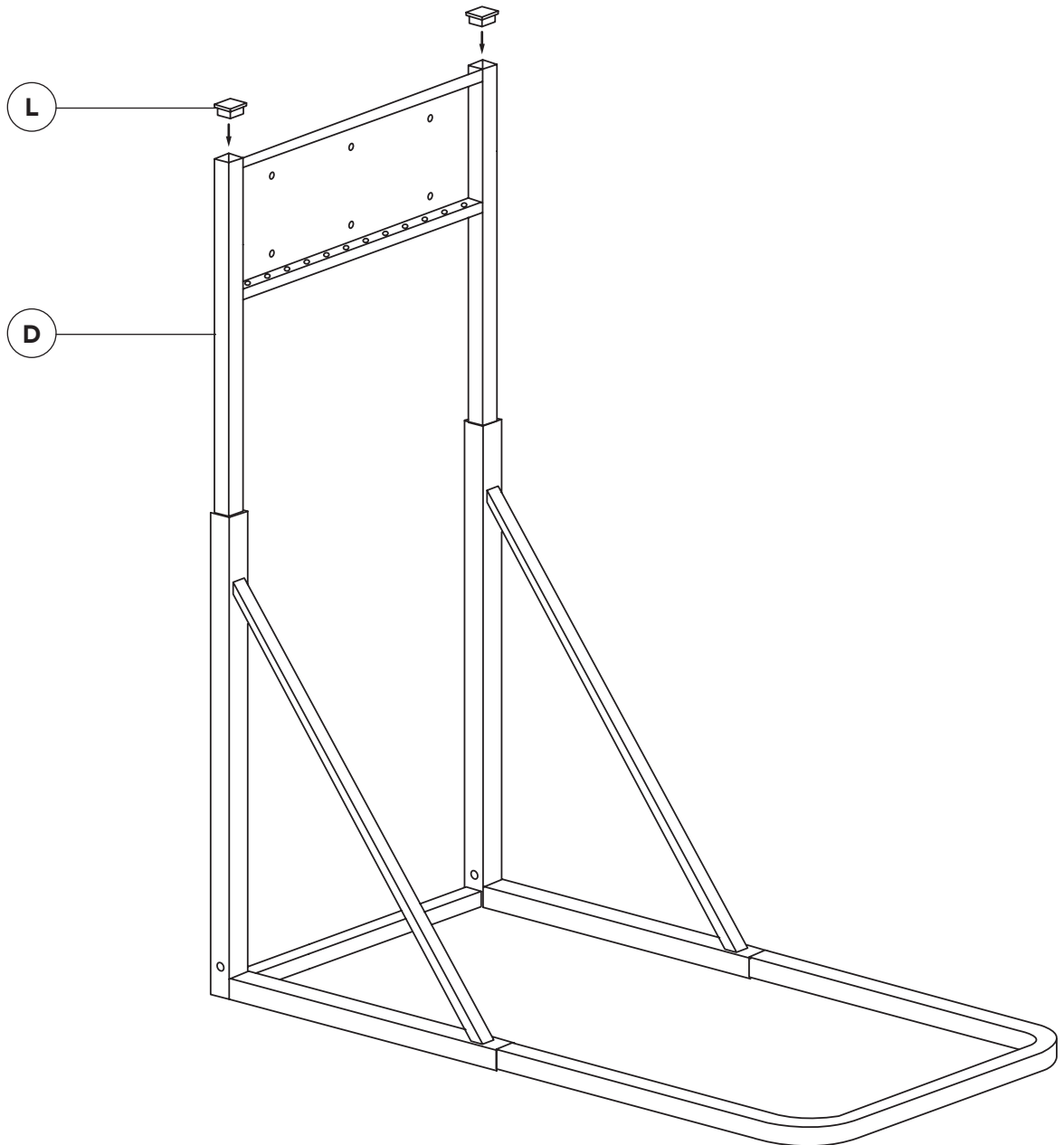
Slide vertical frame (D) into lower frames. Adjust to paper size. Insert setting knobs (G) into socket holes from the back and tighten.



# Assembly Instructions

## STEP 4

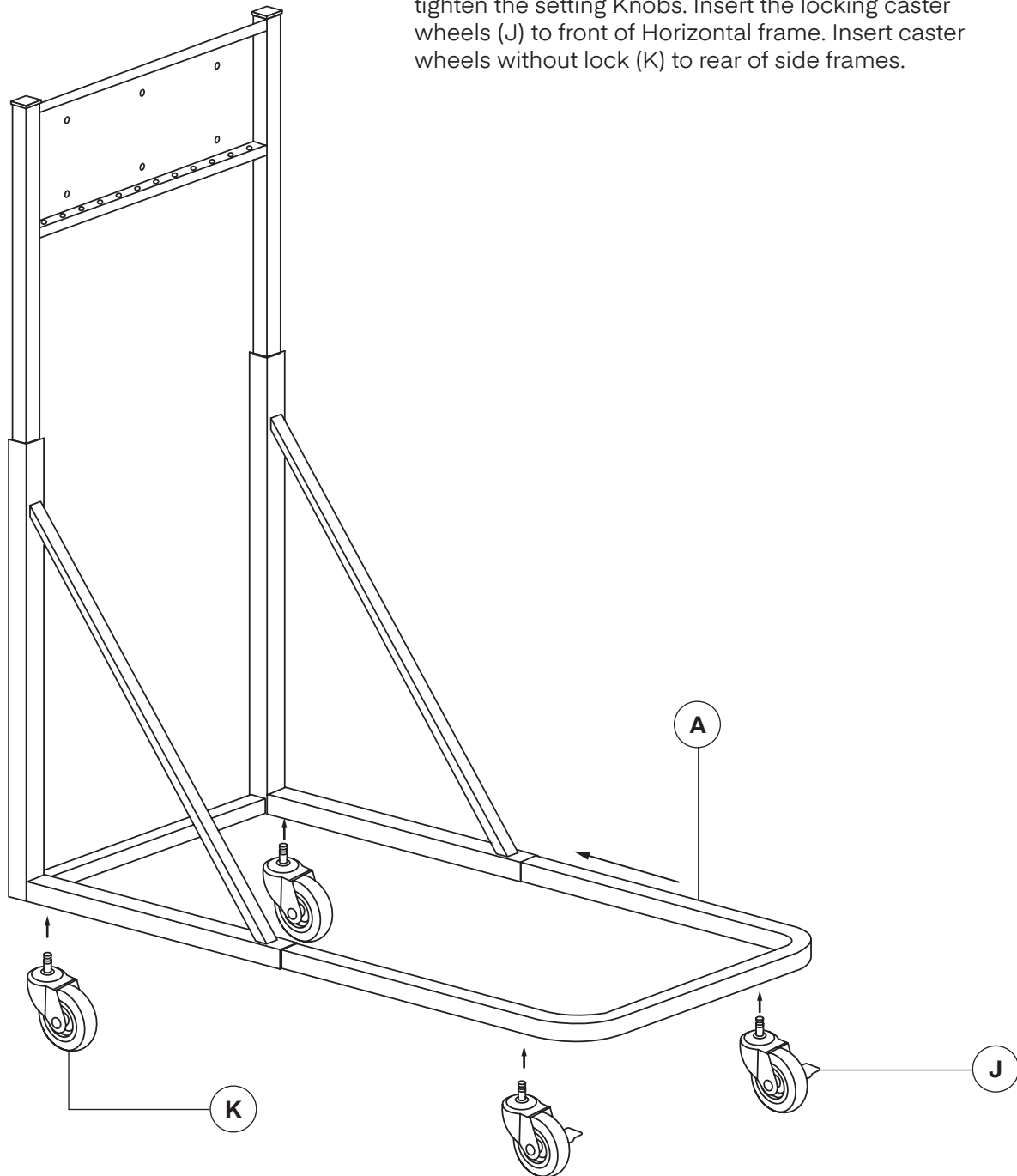
Insert tube plugs (L) into top of vertical frame (D).



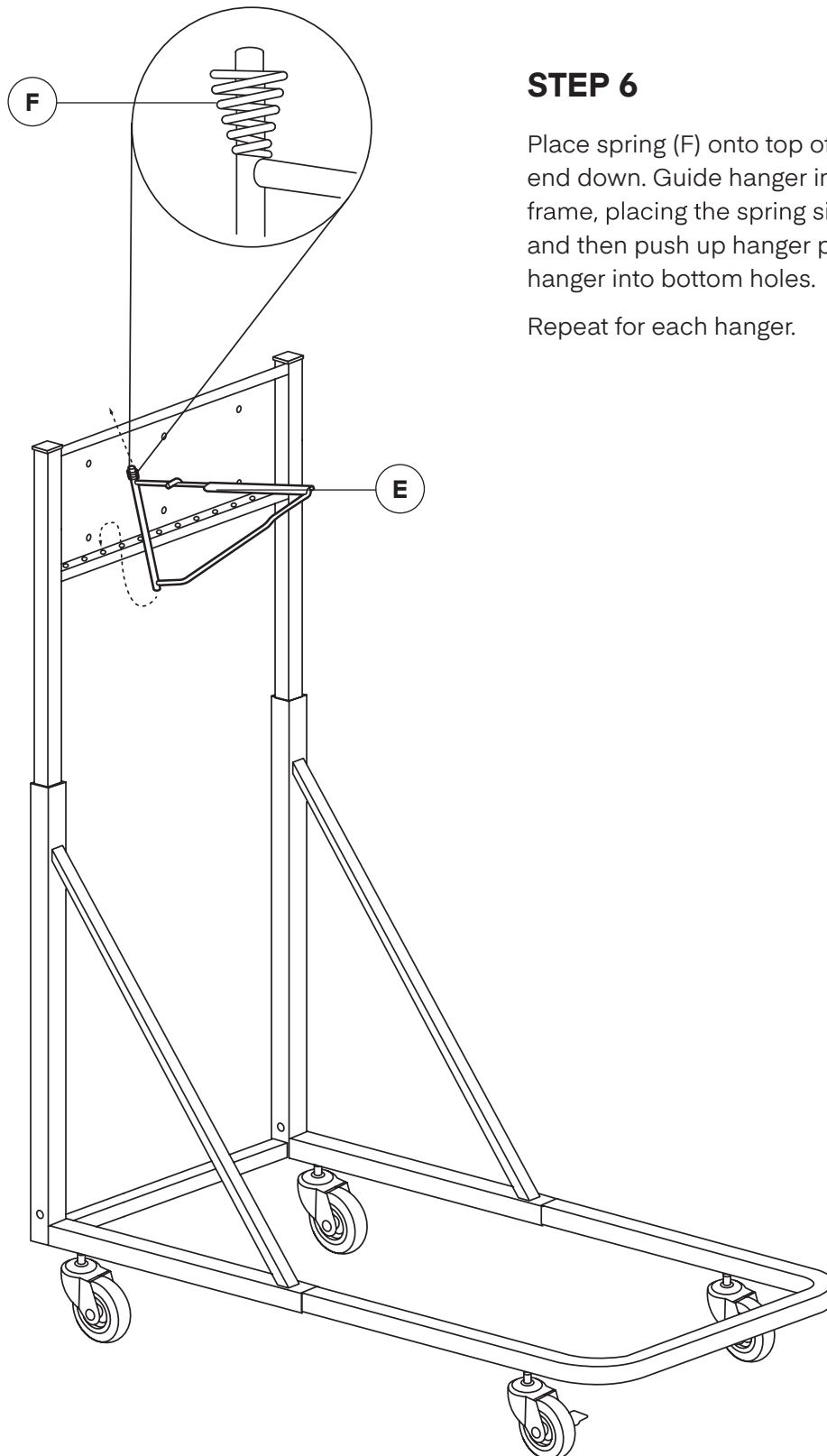
# Assembly Instructions

## STEP 5

Adjust the Horizontal frame (A) to paper size and tighten the setting Knobs. Insert the locking caster wheels (J) to front of Horizontal frame. Insert caster wheels without lock (K) to rear of side frames.



# Assembly Instructions



## STEP 6

Place spring (F) onto top of hanger (E) small end down. Guide hanger into holes of vertical frame, placing the spring side into top holes first, and then push up hanger placing the bottom of hanger into bottom holes.

Repeat for each hanger.



# Warranty

1. Adir Corp (the "Company" or "Tiger Companies") warrants to the purchaser that the product will be free from defects in workmanship and materials for a period of 1 year from the date of purchase. The warranty period is not extended if we repair, replace, exchange, or provide a refund for the product (as determined in our sole discretion). We may change the availability of this limited warranty at our discretion, but any changes will not be retroactive.
2. These warranties are not assignable or transferable to any other person, including, without limitation, any subsequent owner or other transferee of the product.
3. This Warranty does not apply to: (a) damage caused by misuse, tampering, abuse, neglect, or accident; (b) damage caused by improper installation, modification, or service; (c) alteration of the serial number; or (d) use that violates the instructions furnished by the Company will void this warranty.
4. The sole responsibility of the Company shall be limited to (a) the repair or replacement (in its sole discretion) of any component of the product which fails to conform to this; (b) a refund the purchase price of such product (in its sole discretion), at no cost to the purchaser for the period of the warranty, or (c) an exchange for a similar product, comparable in function and price.
5. Contact the Company directly at 1-(800)-805-1790 to obtain service under this warranty. If it becomes applicable to send a defective product to the Company, a Return Authorization Number must first be obtained from the Company. In order to obtain service under this warranty, purchaser may be required to provide the Company with the following items (a) proof of purchase, (b) photographs and or videos (of the damage, and (c) a written testimonial describing the defect.
6. Products shipped without prior Return Authorization and Return Authorization Number may not be accepted, and the Company will not be responsible for their disposition and/or cost of return to the owner.
7. The Company will not assume any responsibility for any loss or damage incurred in shipping and or delivery.
8. The product(s) must be returned within 14 calendar days of receiving the return authorization from the Company and must include the original proof of purchase for the warranty to be honored.
9. Any implied warranties that the purchaser may have are limited to the duration of the warranties described above. There are no further warranties that extend or apply beyond the face hereof, and the Company expressly disclaims and excludes any and all warranties of merchantability or fitness for a particular purpose. Some states do not allow limitations on how long an implied warranty lasts, so the above limitation may not apply to you.
10. THE REMEDIES DESCRIBED ABOVE ARE YOUR SOLE AND EXCLUSIVE REMEDIES AND THE COMPANY'S ENTIRE LIABILITY FOR ANY BREACH OF THIS LIMITED WARRANTY. OUR LIABILITY SHALL UNDER NO CIRCUMSTANCES EXCEED THE ACTUAL AMOUNT PAID BY YOU FOR THE DEFECTIVE PRODUCT, NOR SHALL WE UNDER ANY CIRCUMSTANCES BE LIABLE FOR ANY CONSEQUENTIAL, INCIDENTAL, SPECIAL OR PUNITIVE DAMAGES OR LOSSES, WHETHER DIRECT OR INDIRECT. SOME STATES DO NOT ALLOW THE EXCLUSION OR LIMITATIONS OF INCIDENTAL OR CONSEQUENTIAL DAMAGES, SO THE LIMITATION MAY NOT APPLY TO YOU.
11. This warranty gives you specific legal rights, and you may also have additional rights which vary from state to state.



**ADI613-SERIES**

© 2022 AdirCorp

**[adircorp.com](http://adircorp.com)**