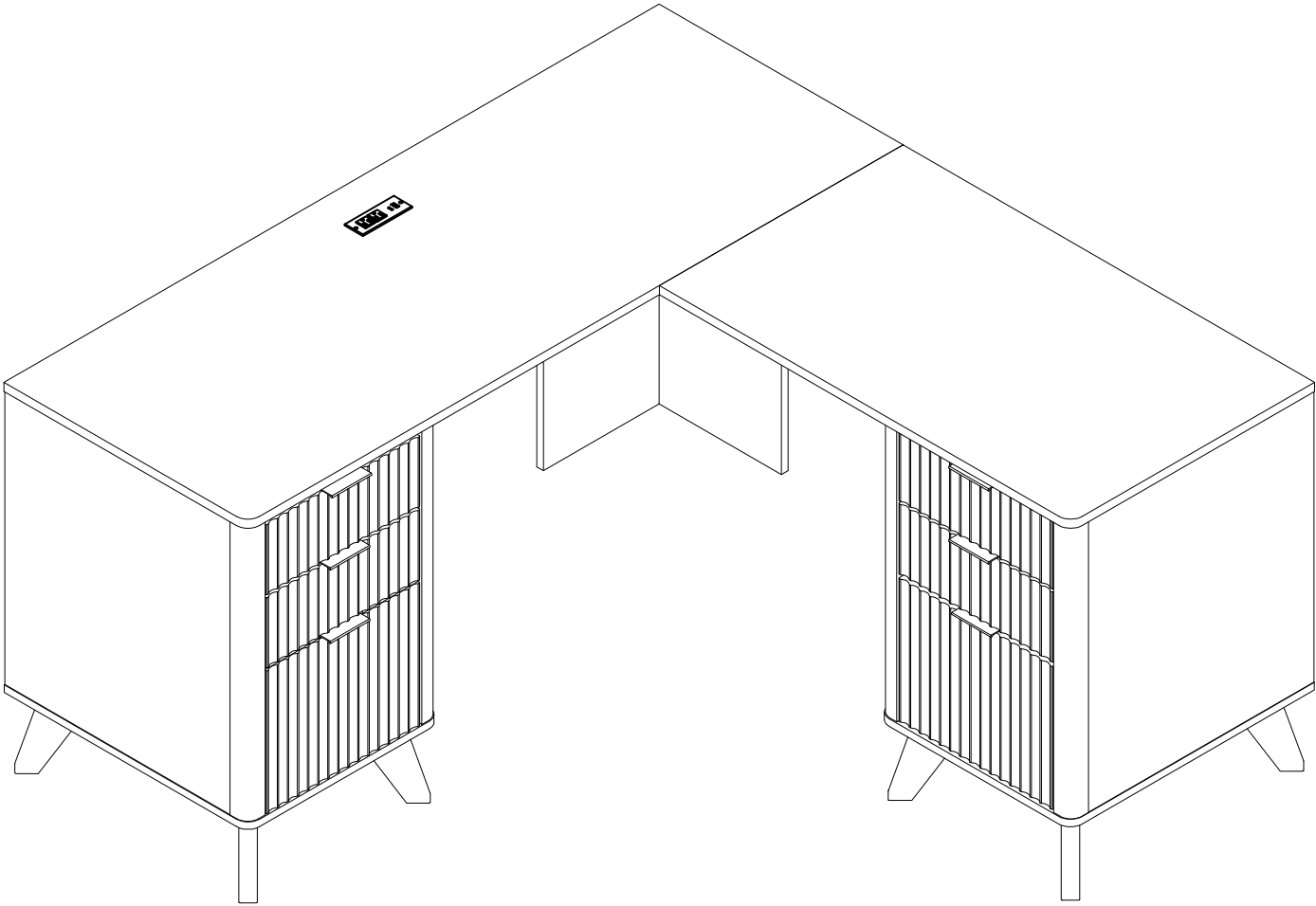
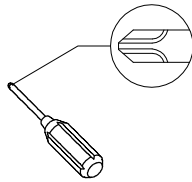


Assembly Instructions

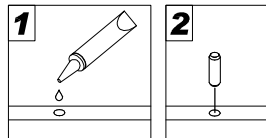


General Assembly Guidelines

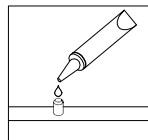
- I. Ensure that all parts and hardware are available before beginning assembly.
- II. Follow each step carefully to ensure the proper assembly of this product.
- III. Two people are recommended for ease in the assembly of this product.
- IV. A Phillips head screwdriver is required for the assembly of this product .



- V. The provided glue is to secure wood dowels in place . When first inserting dowels , locate the appropriate hole for the dowel , place a small amount of glue in the hole and insert the dowel . Wipe away excess glue immediately.

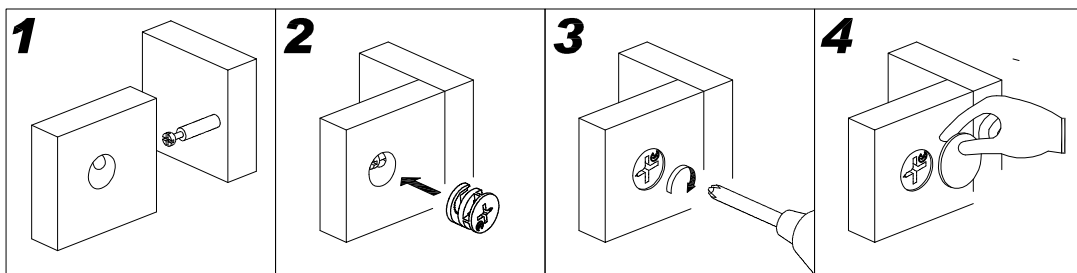


In future assembly steps when dowels are necessary to attach assembly parts together , place a small amount of glue on the end of the dowel before attaching parts together . Wipe away excess glue immediately.

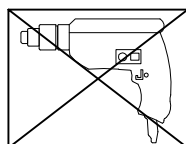


VI HOW THE KNOCK DOWN (KD) ASSEMBLY SYSTEM WORKS

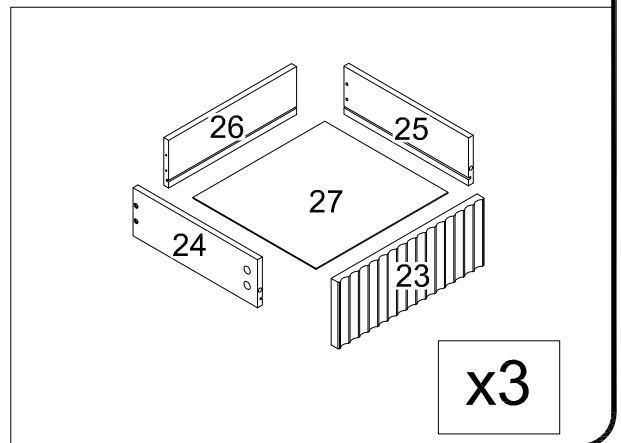
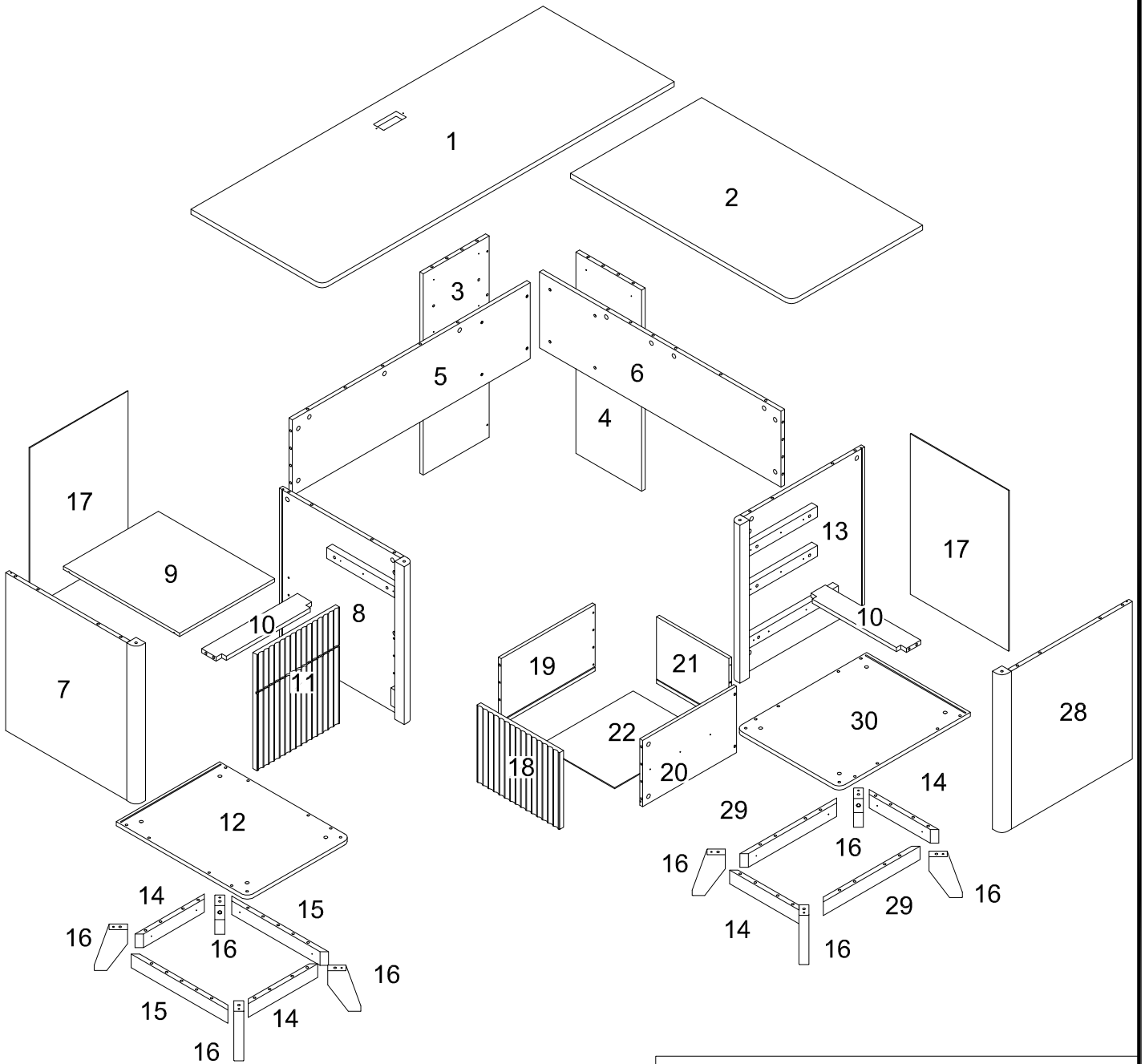
- 1.Screw the Cam Bolt into the pre-drilled hole on the panel. Make sure Cam Bolt goes into the pre-drilled hole on the end of panel for Cam Lock.
- 2.Insert the Cam Lock into the pre-drilled large hole on the panel. Make sure the arrow on the face of Cam Lock points towards Cam Bolt.
- 3.Take a Phillips screwdriver and rotate the Cam Lock clockwise to lock the Cam Bolt.
- 4.Use the sticker to conceal the Cam.




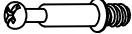



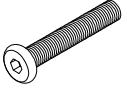

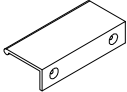
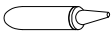
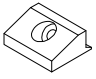
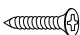

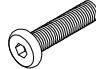
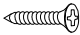
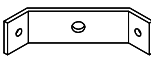


- VII. Power tools should not be used to assemble this product .

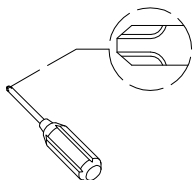


Parts List



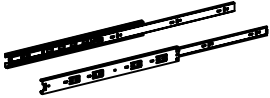

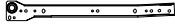




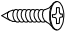


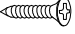
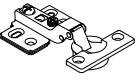
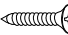



Hardware List

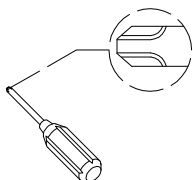
A		Ø8x30mm	Large wooden dowel	66	pcs
B		Ø6x35mm	Cam bolt	46	pcs
C		Ø15x11mm	Large cam lock	30	pcs
D		Ø30mm	Cam cover	46	pcs
E		Ø5x15mm	Screw	16	pcs
F		1/4"x50mm	Bolt	18	pcs
G		M4	Allen Wrench	1	pc
H			Handle	6	pcs
I			Glue tube	2	pcs
J			Plastic wedge	20	pcs
K		Ø3x17mm	Flat-head screw	20	pcs
L		Ø6x50mm	Bolt	16	pcs
M		1/4"x28mm	Bolt	8	pcs
N		Ø3x14mm	Flat-head screw	12	pcs
O			Metal Bracket	8	pcs
P		Ø15x9mm	Small Cam lock	16	pcs
Q		Ø6x30mm	Small wooden dowel	8	pcs



Philips head screwdriver required for assembly
(not included)

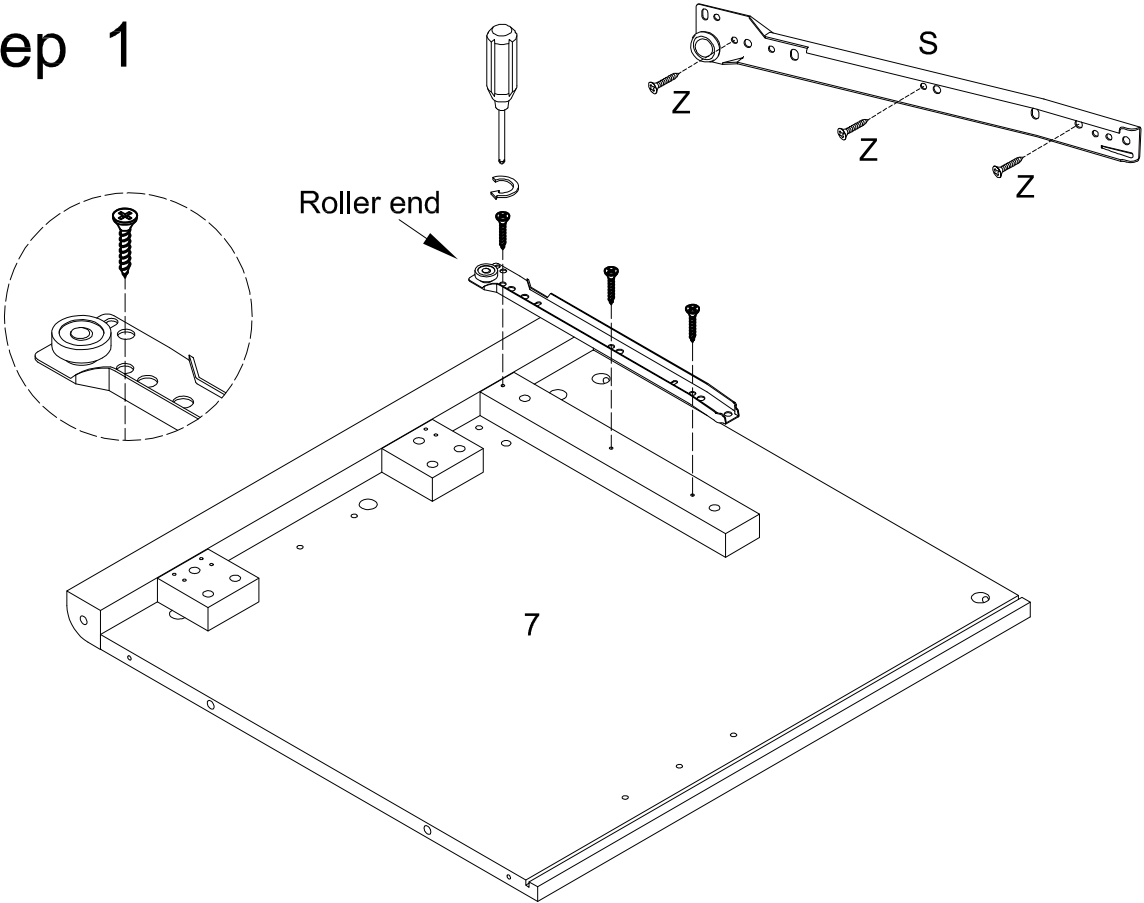
Hardware List

R		14"L*35mm	Drawer Slider	1	set
S		12"L	Left cabinet member	3	pcs
T		12"L	Right cabinet member	3	pcs
U		12"L	Left drawer runner	3	pcs
V		12"L	Right drawer runner	3	pcs
W			USB Interface	1	pc
X			Metal Plate	2	pcs
Y		Ø3.5x15mm	Screw	8	pcs
Z		Ø3.5x12mm	Flat-head screw	50	pcs
AA		Ø8x20mm	Medium wooden dowel	4	pcs
BB		Ø4x25mm	Screw	8	pcs
CC			Euro Hinge	2	pcs
DD		Ø3.5x14mm	Flat-head screw	12	pcs
EE		Ø5x16mm	Shelf Support	4	pcs
FF		Ø4x38mm	Screw	16	pcs
GG		L=385mm	File rail	2	pcs

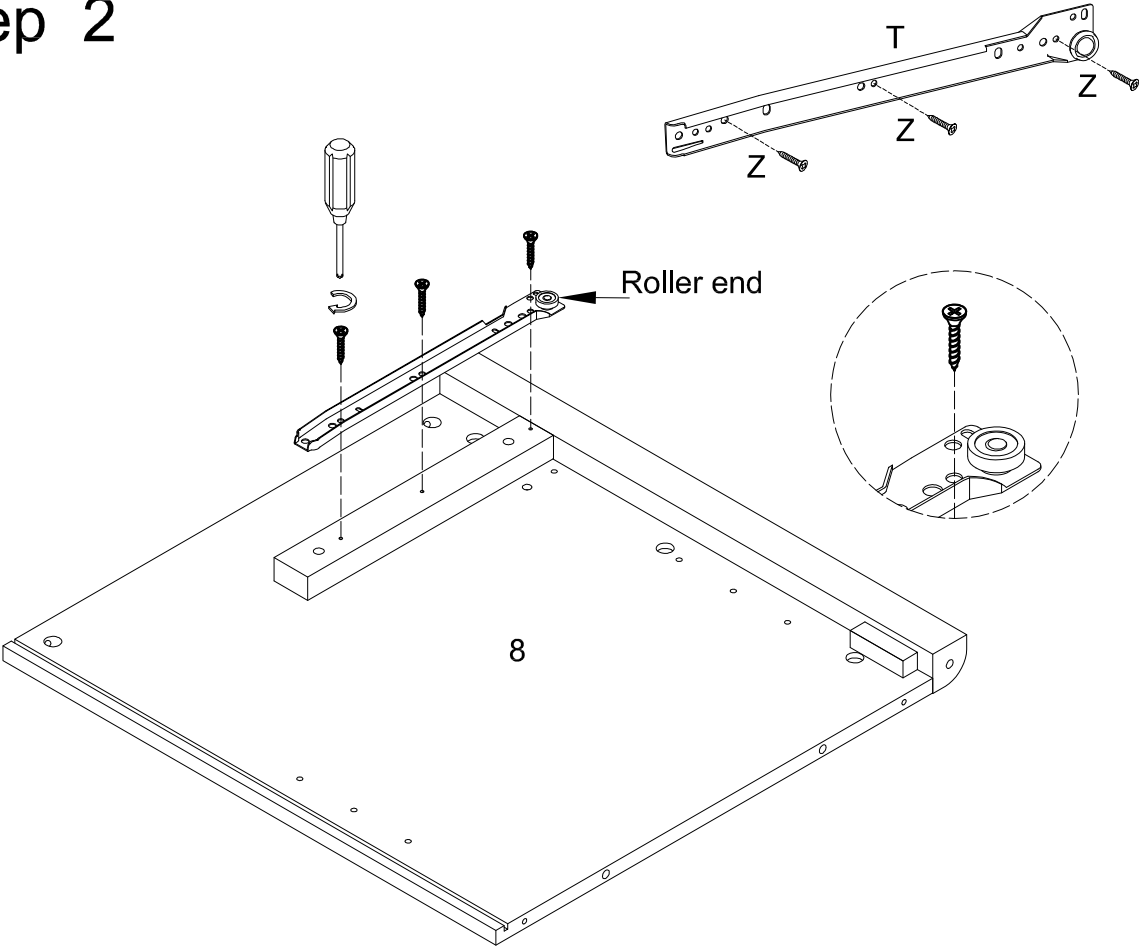


Philips head screwdriver required for assembly
(not included)

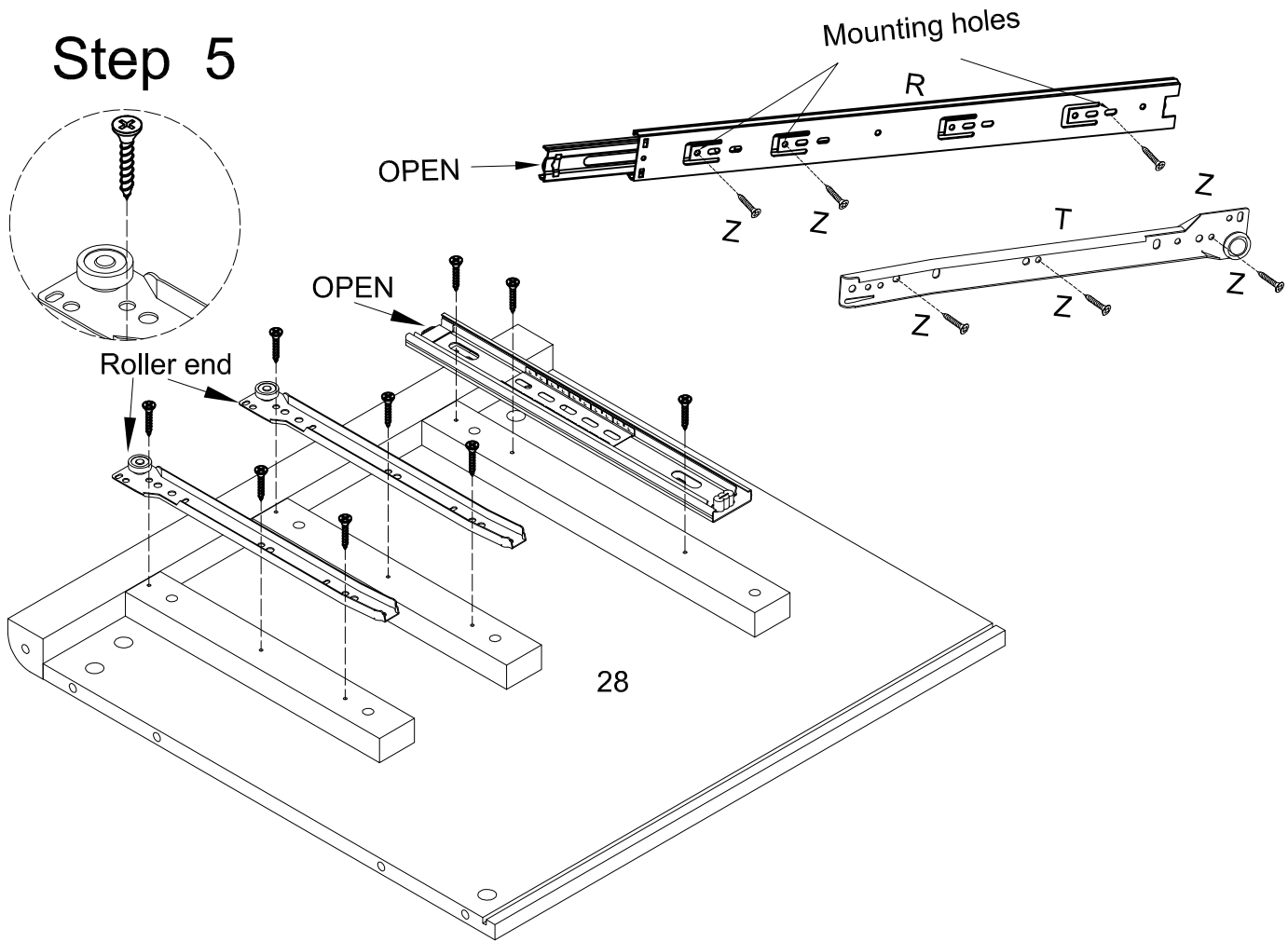
Step 1



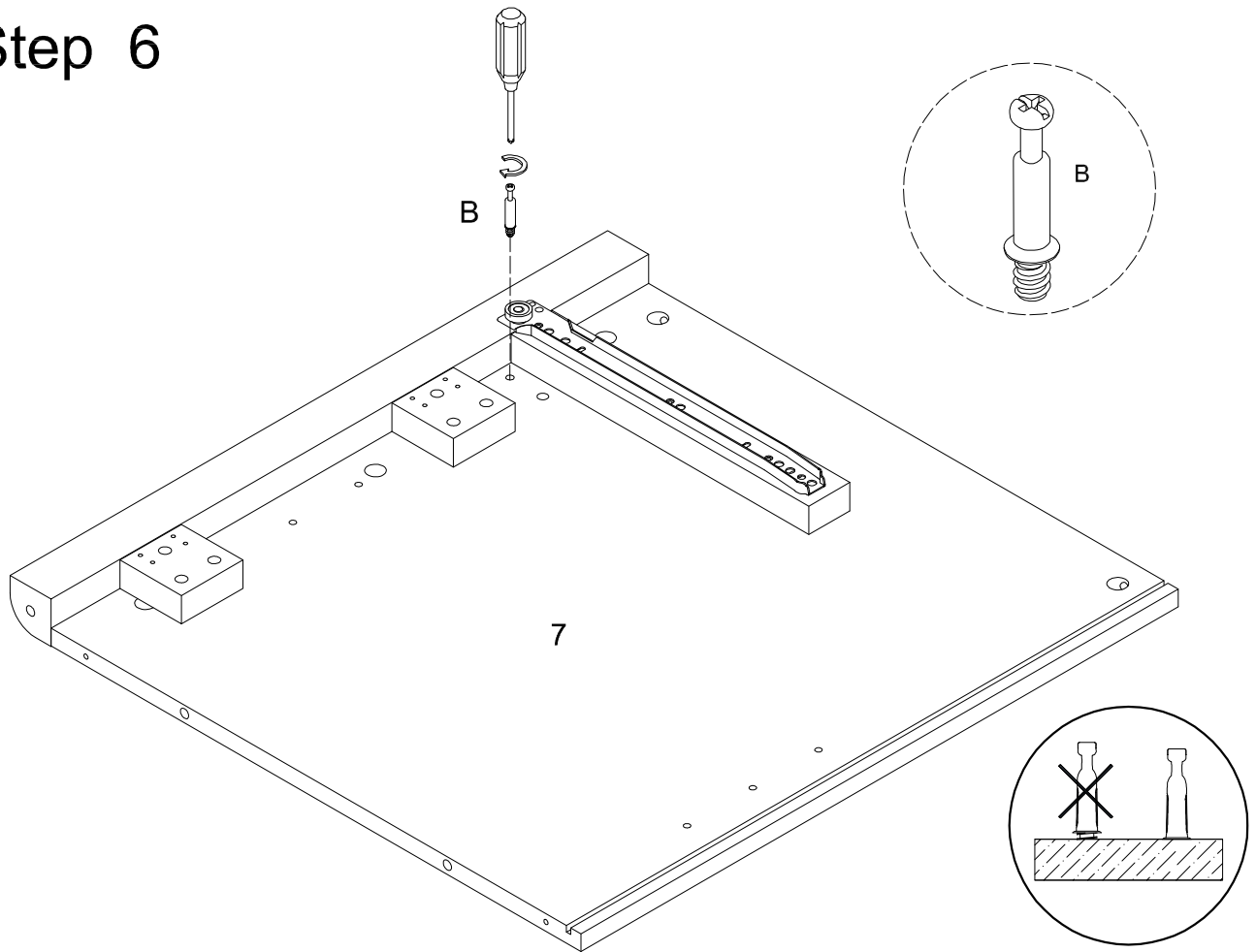
Step 2



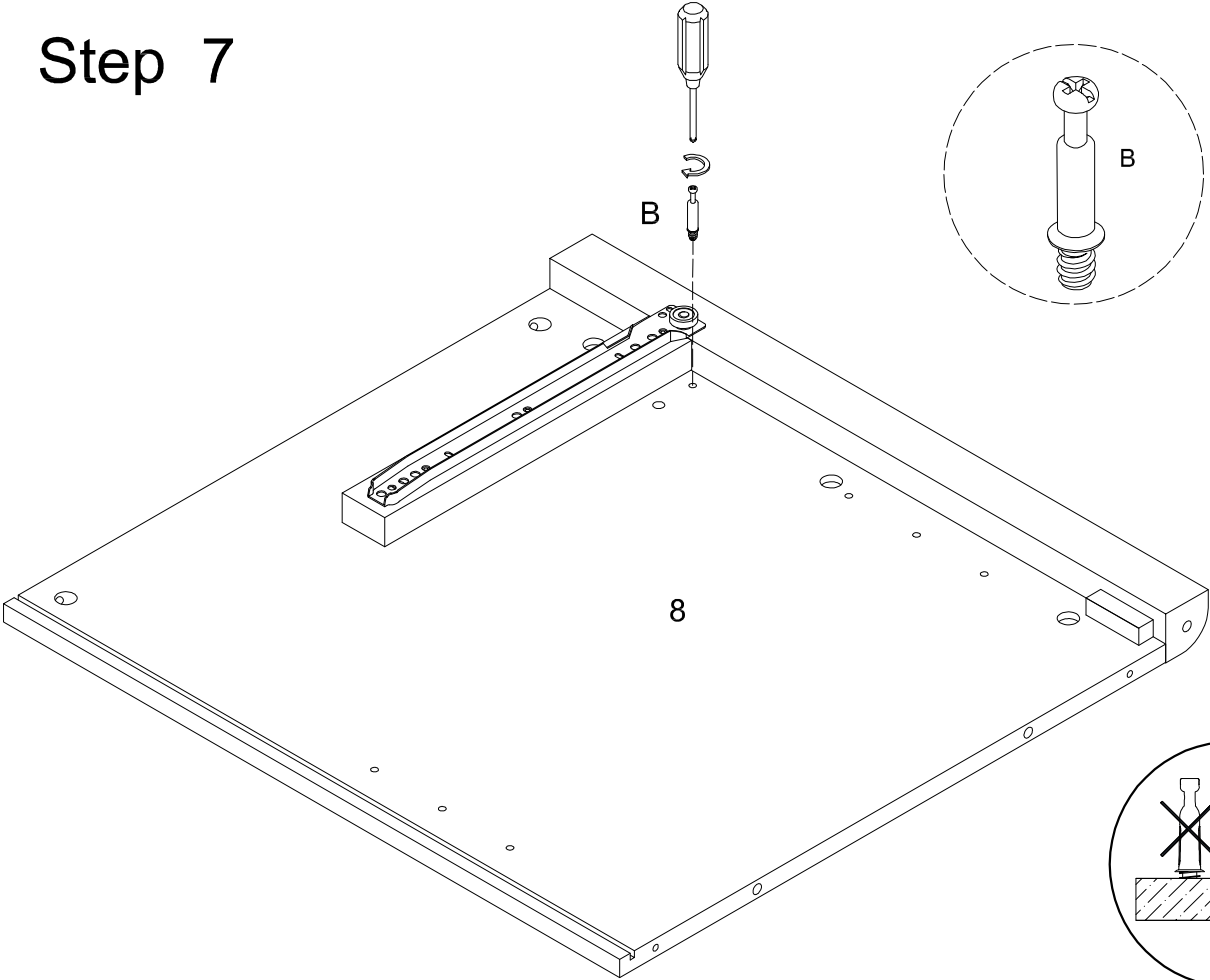
Step 5



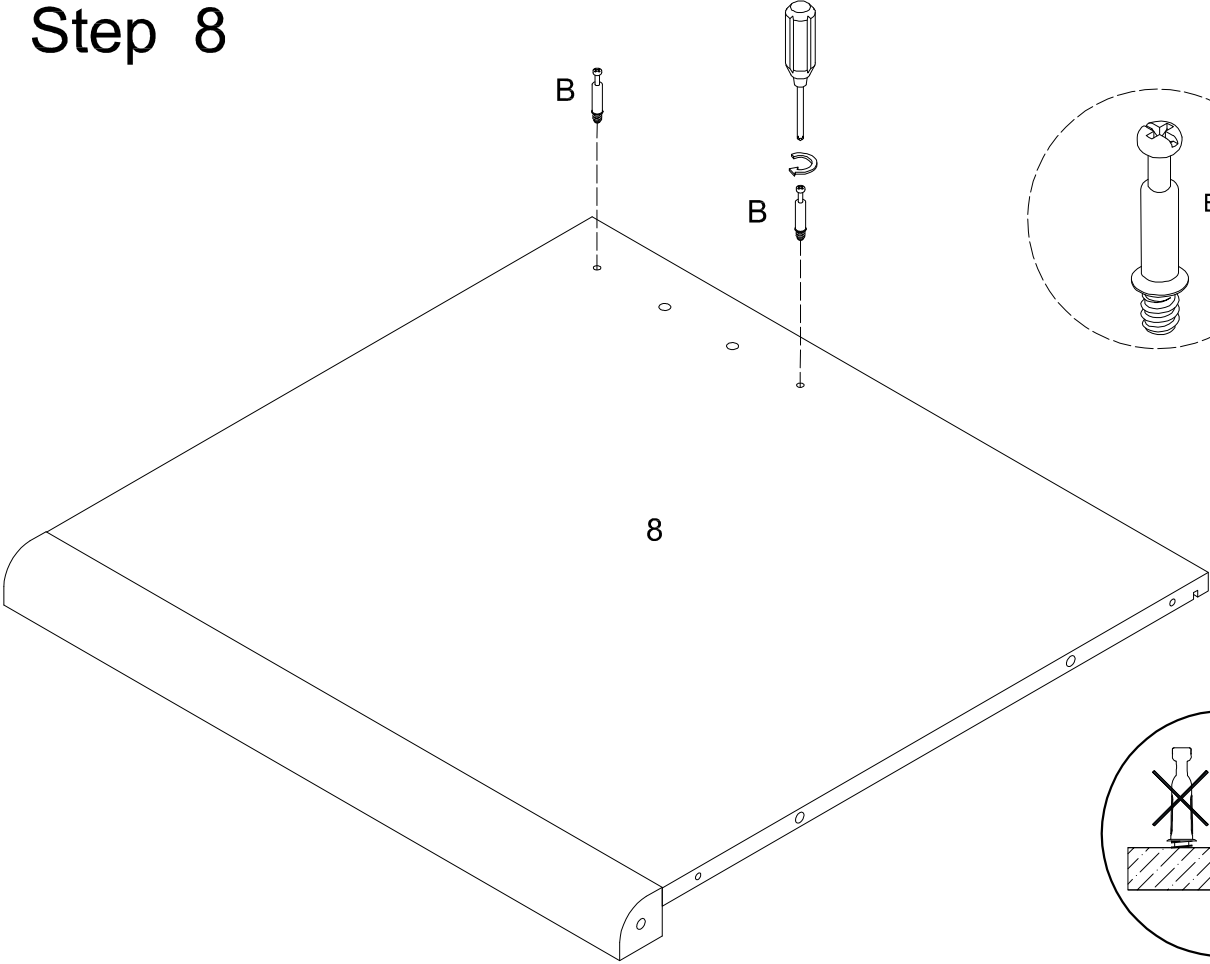
Step 6



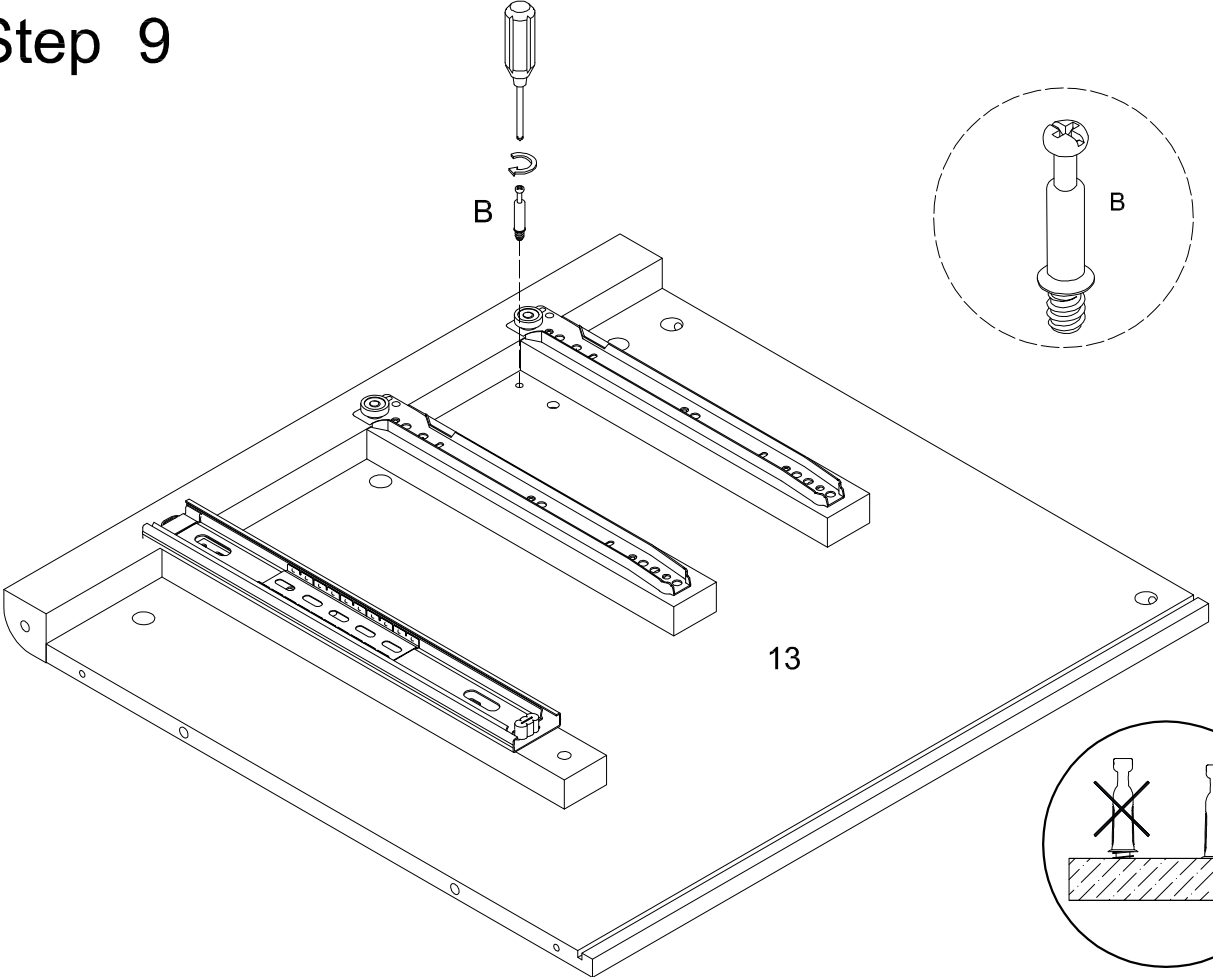
Step 7



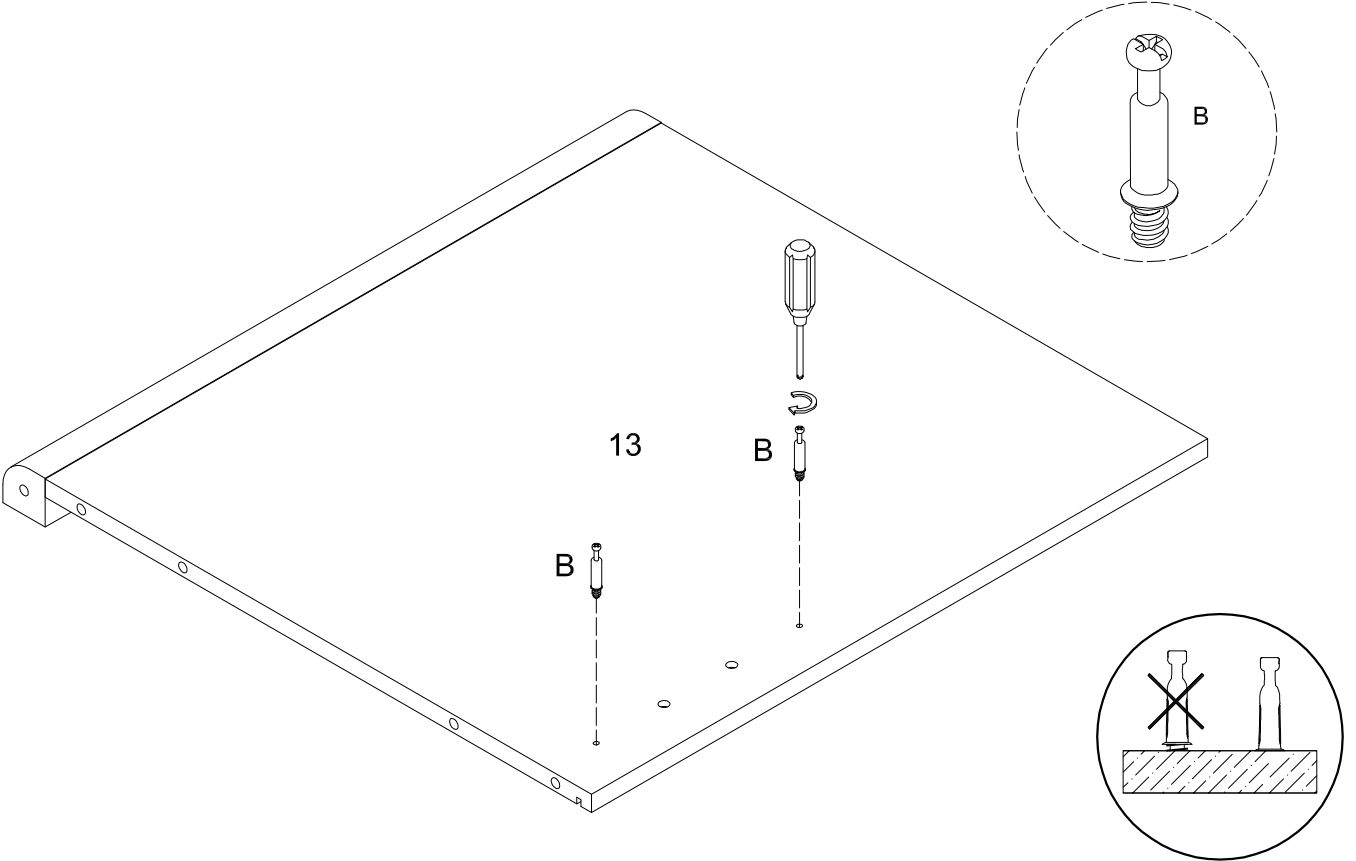
Step 8



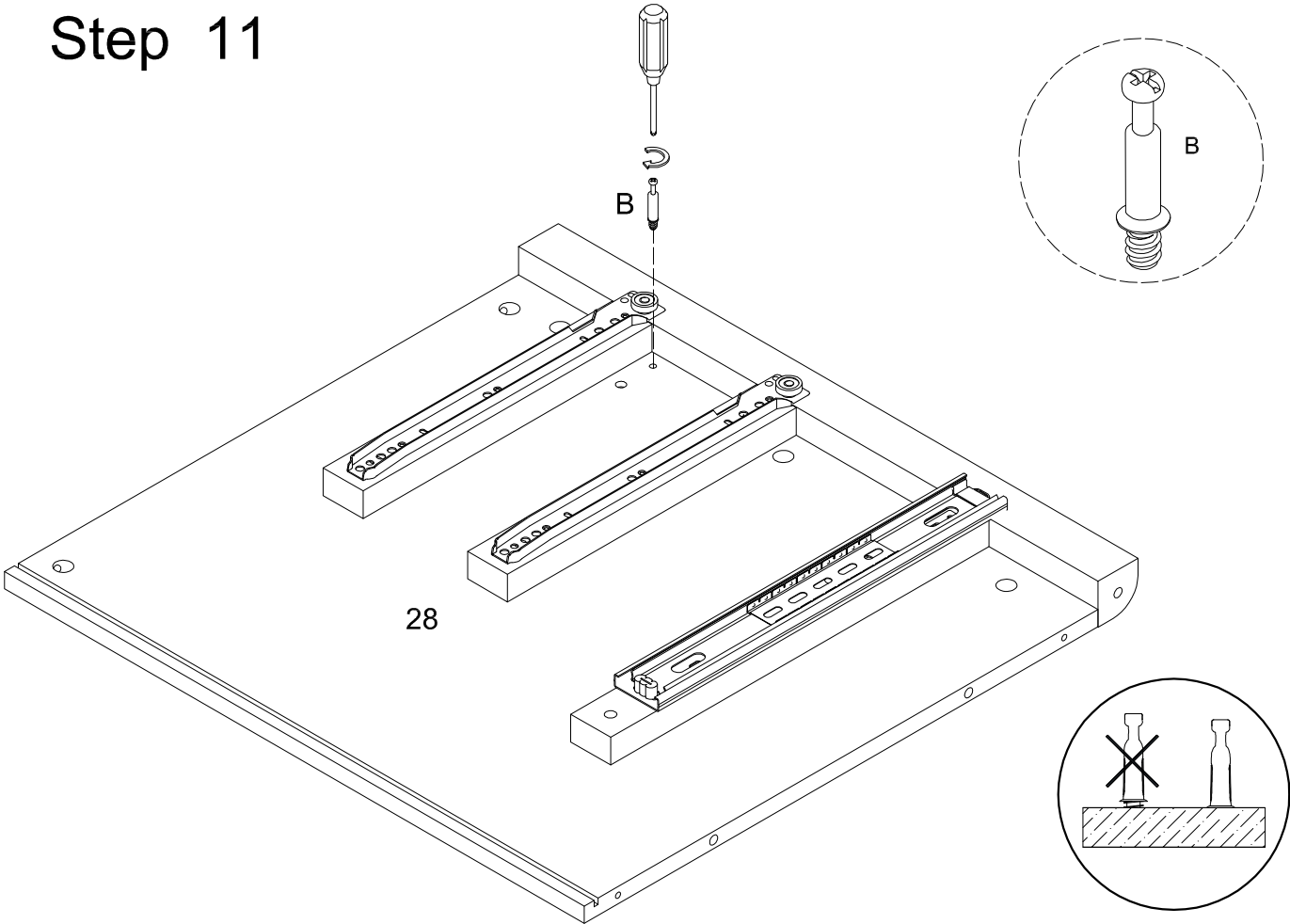
Step 9



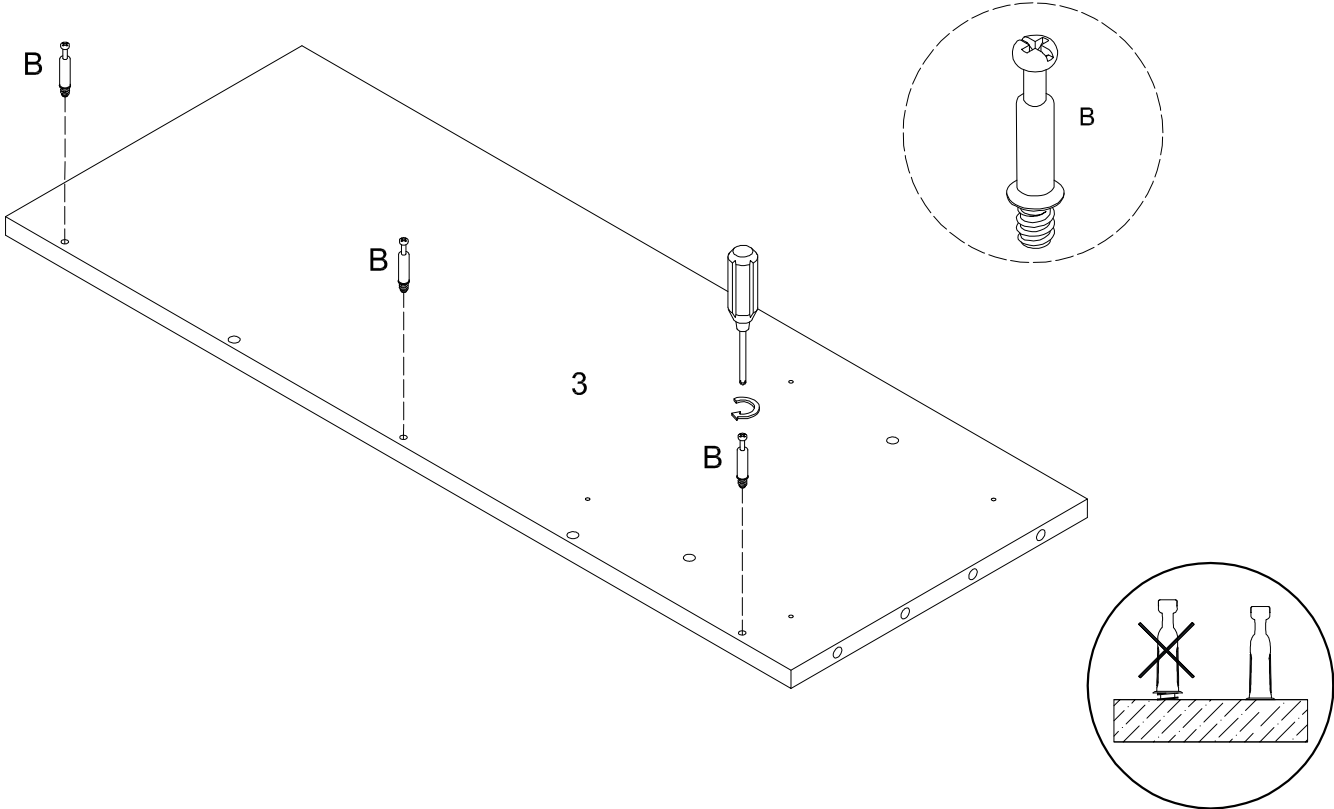
Step 10



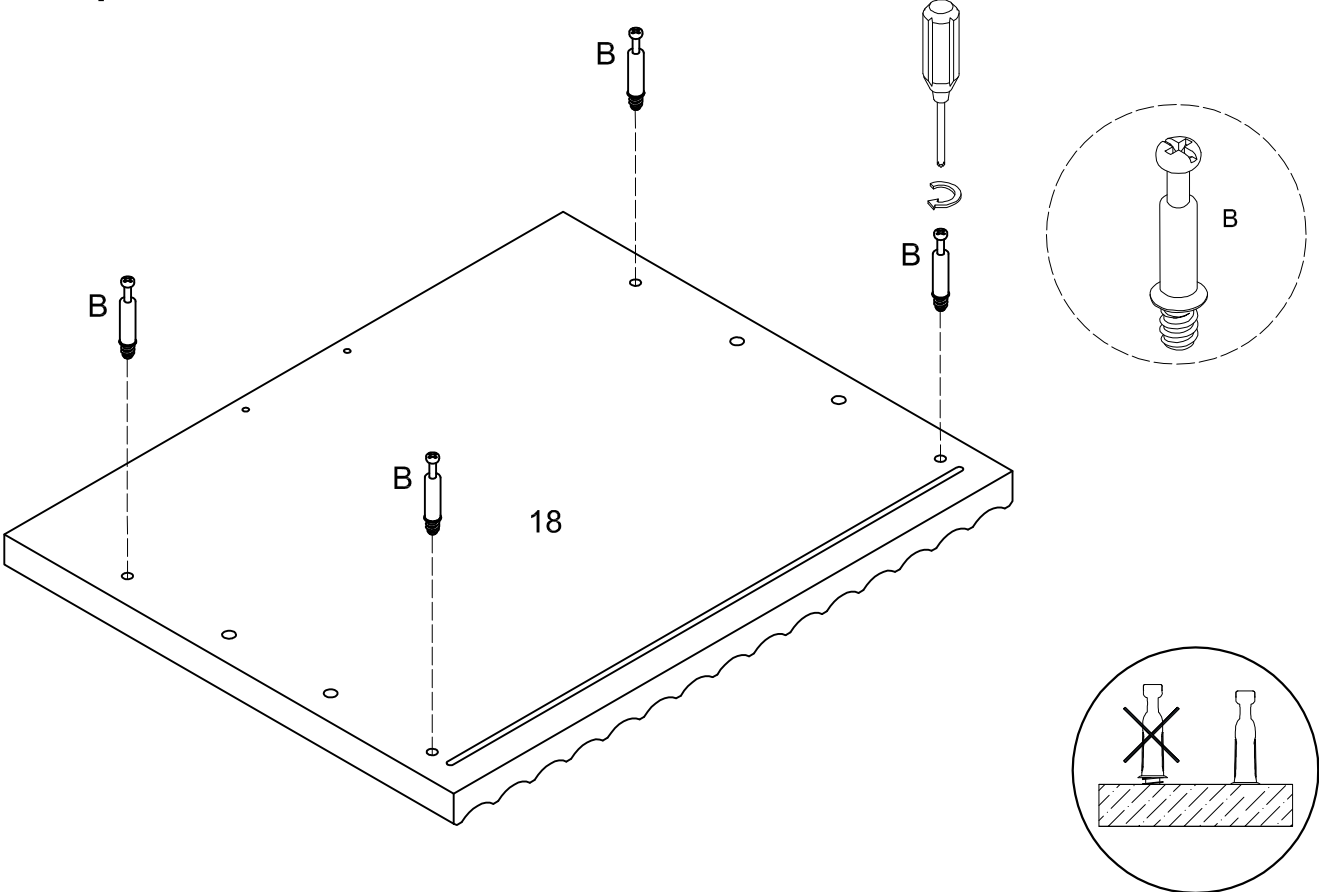
Step 11



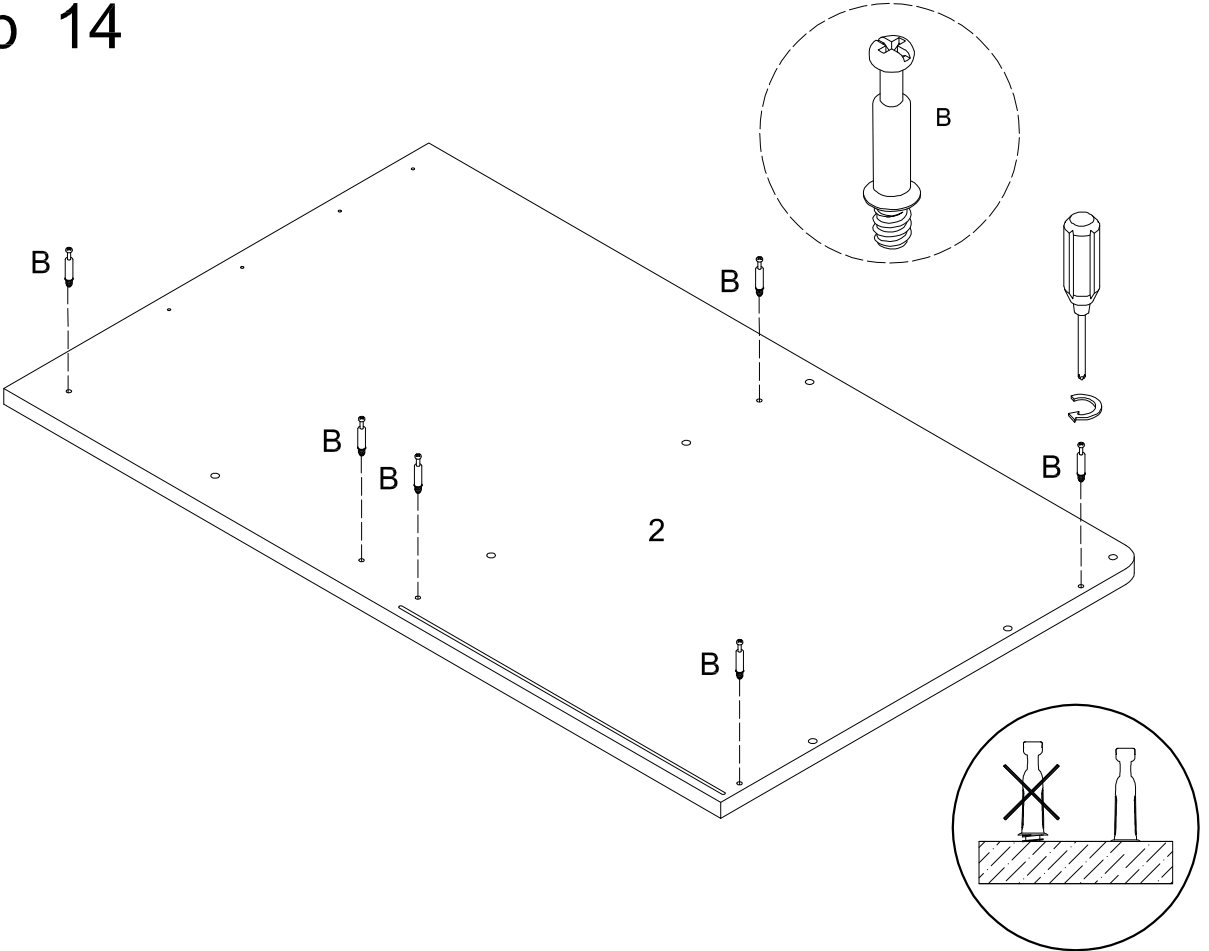
Step 12



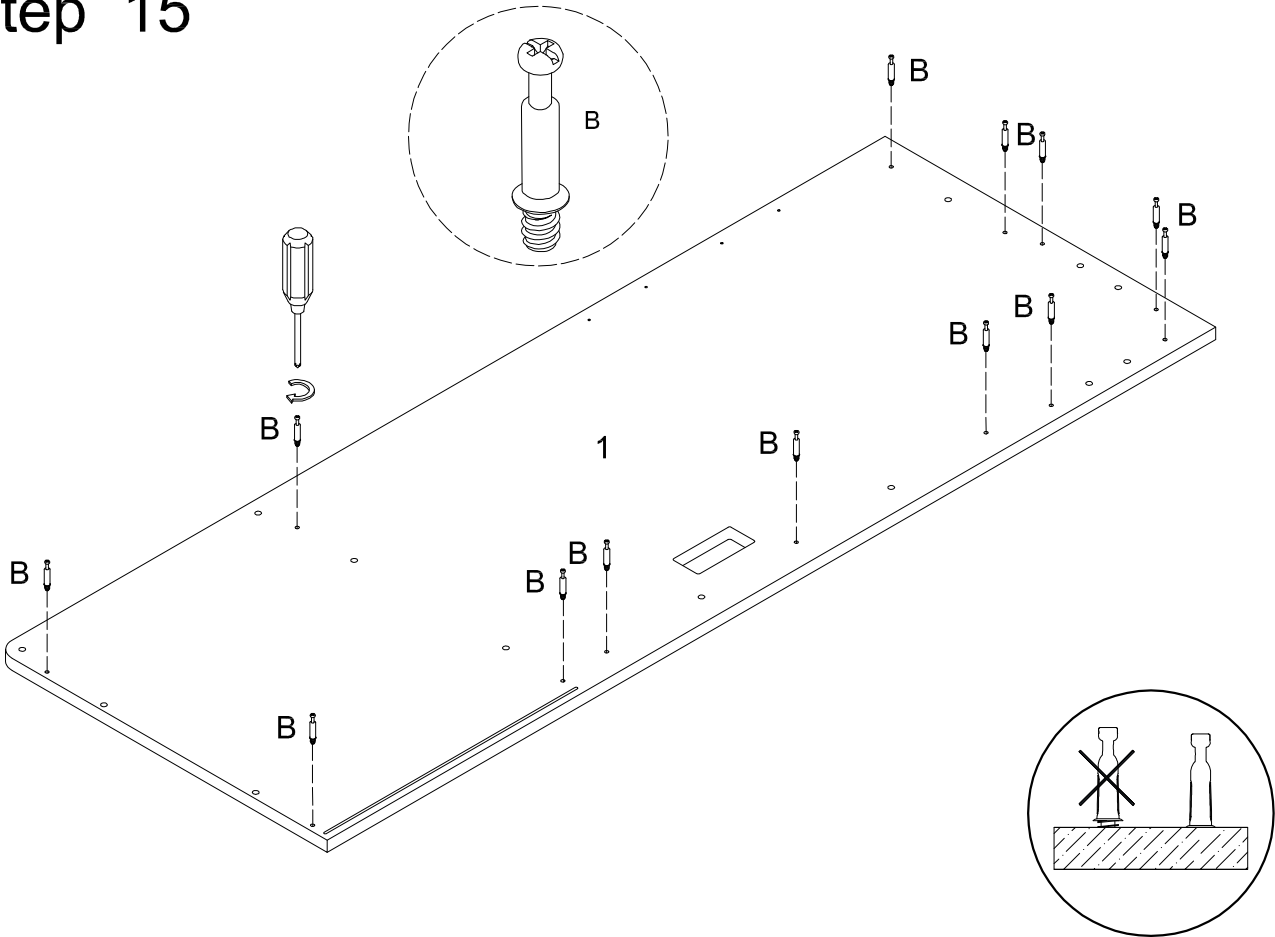
Step 13



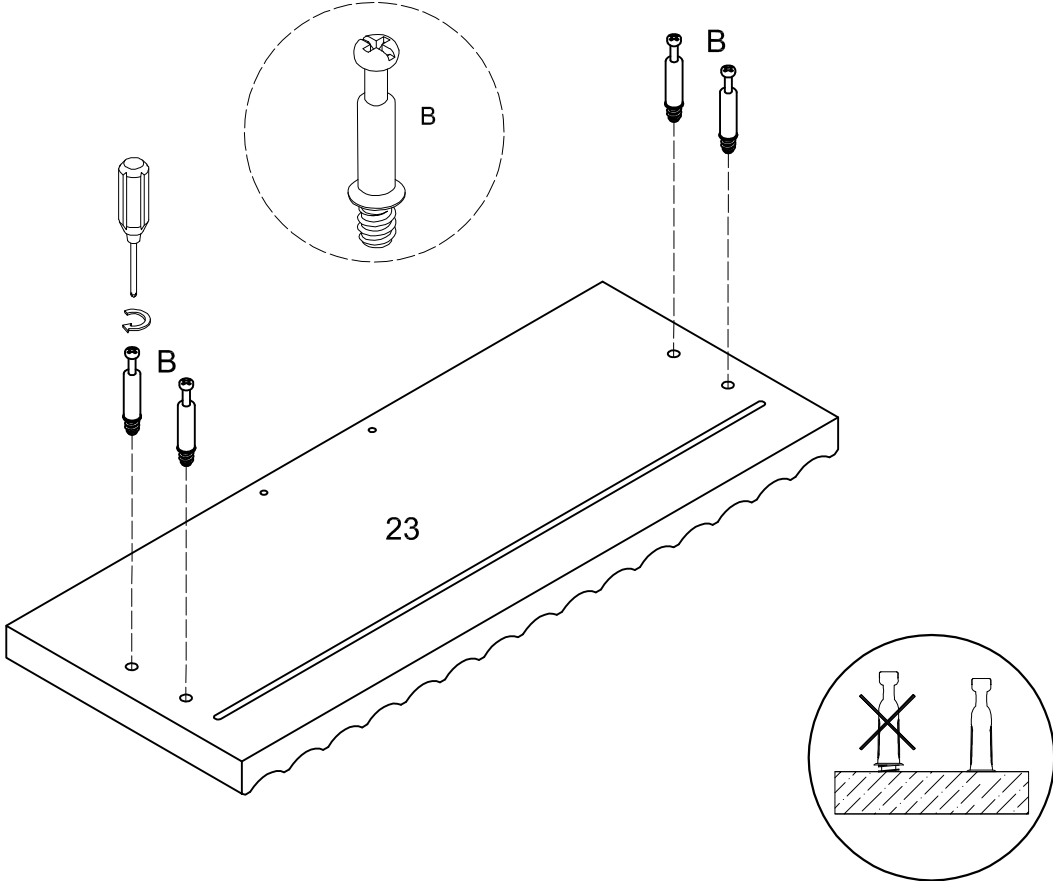
Step 14



Step 15

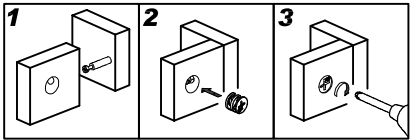
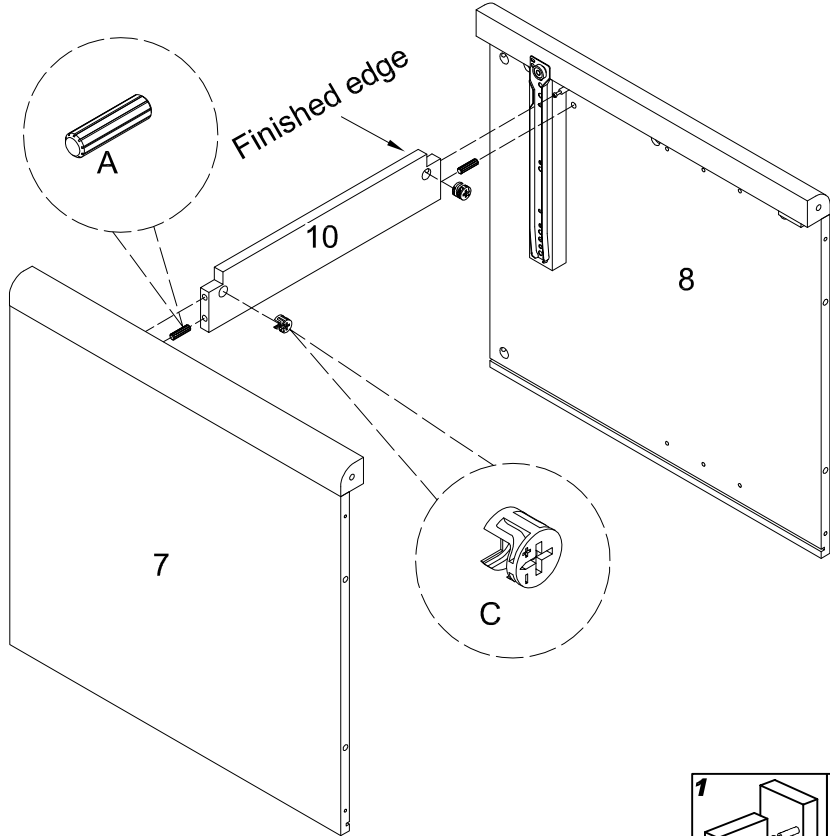


Step 16

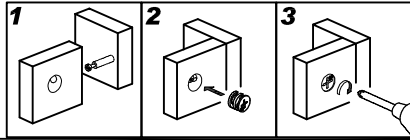
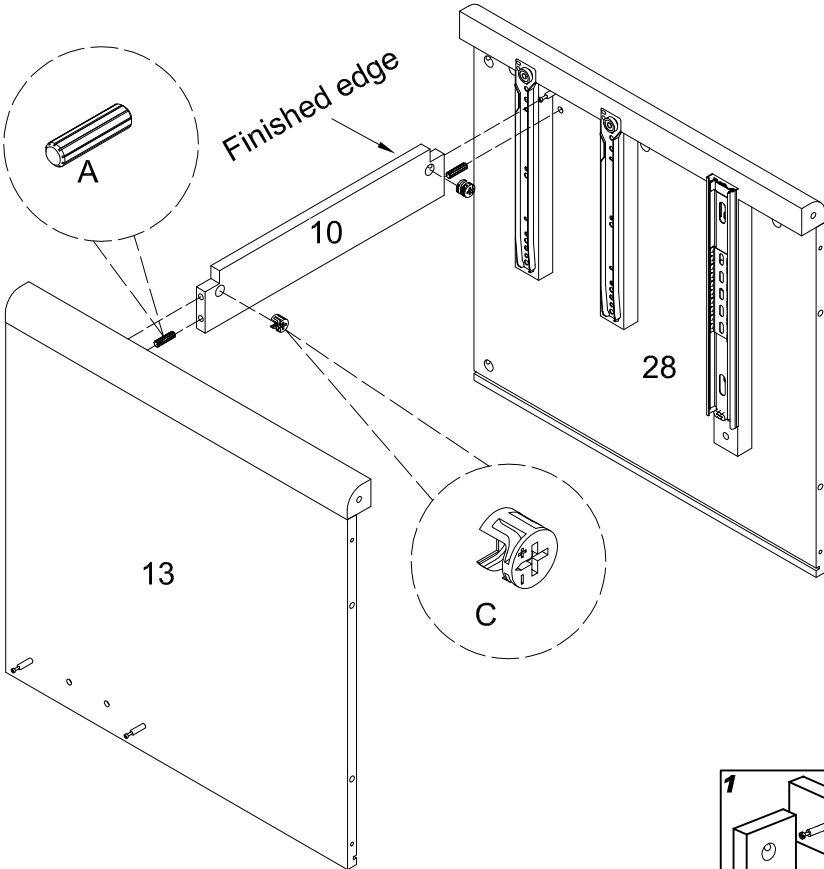


x3

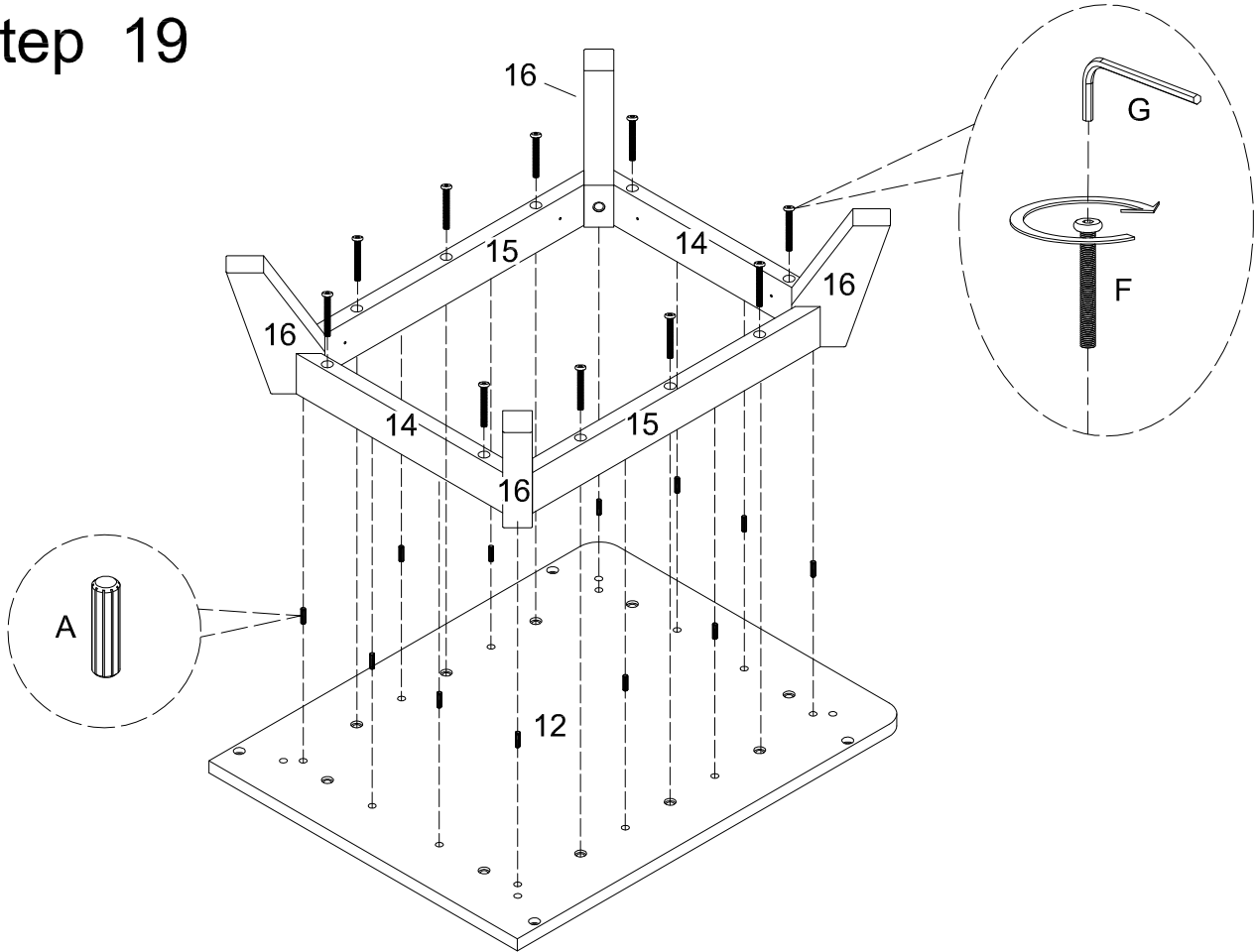
Step 17



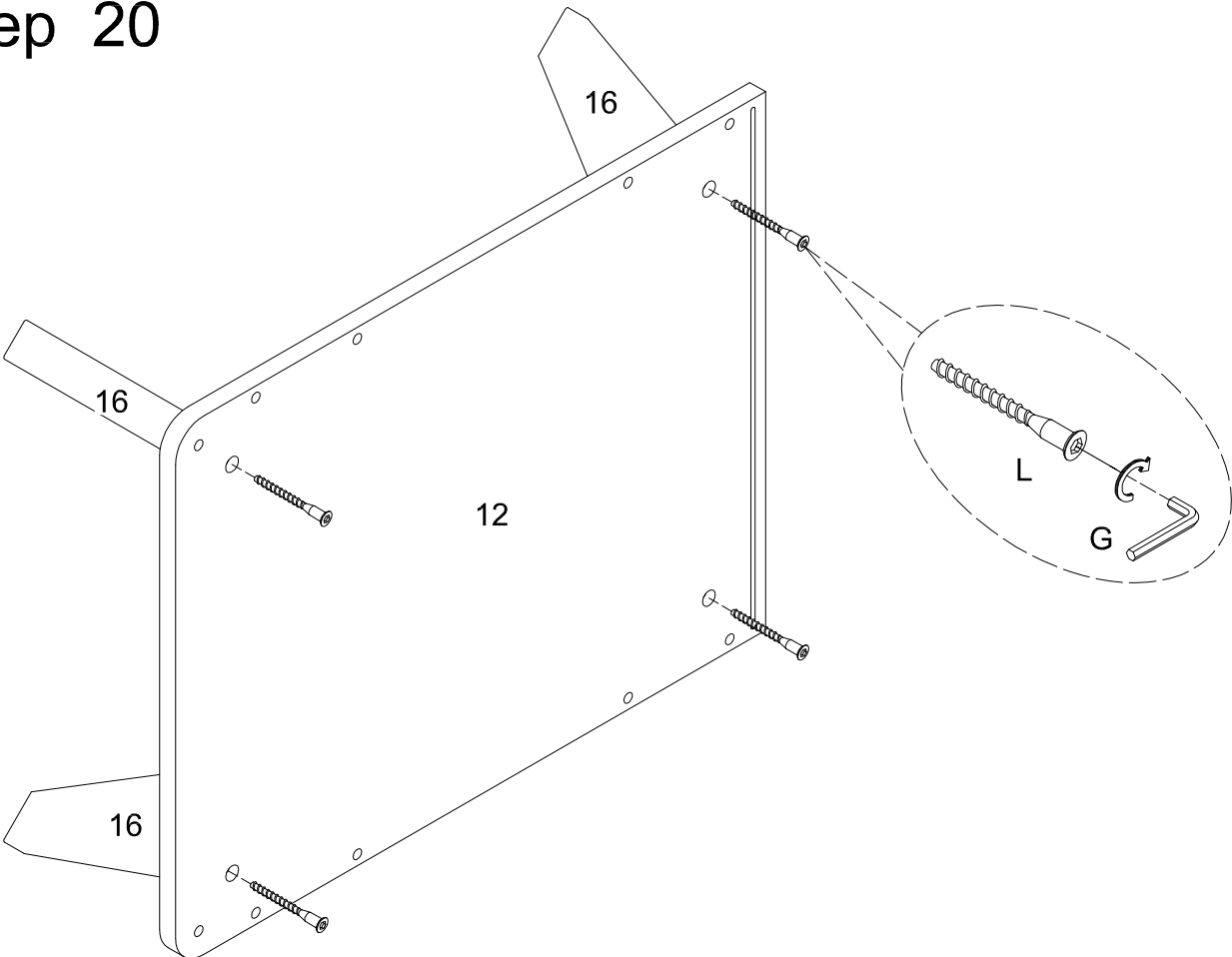
Step 18



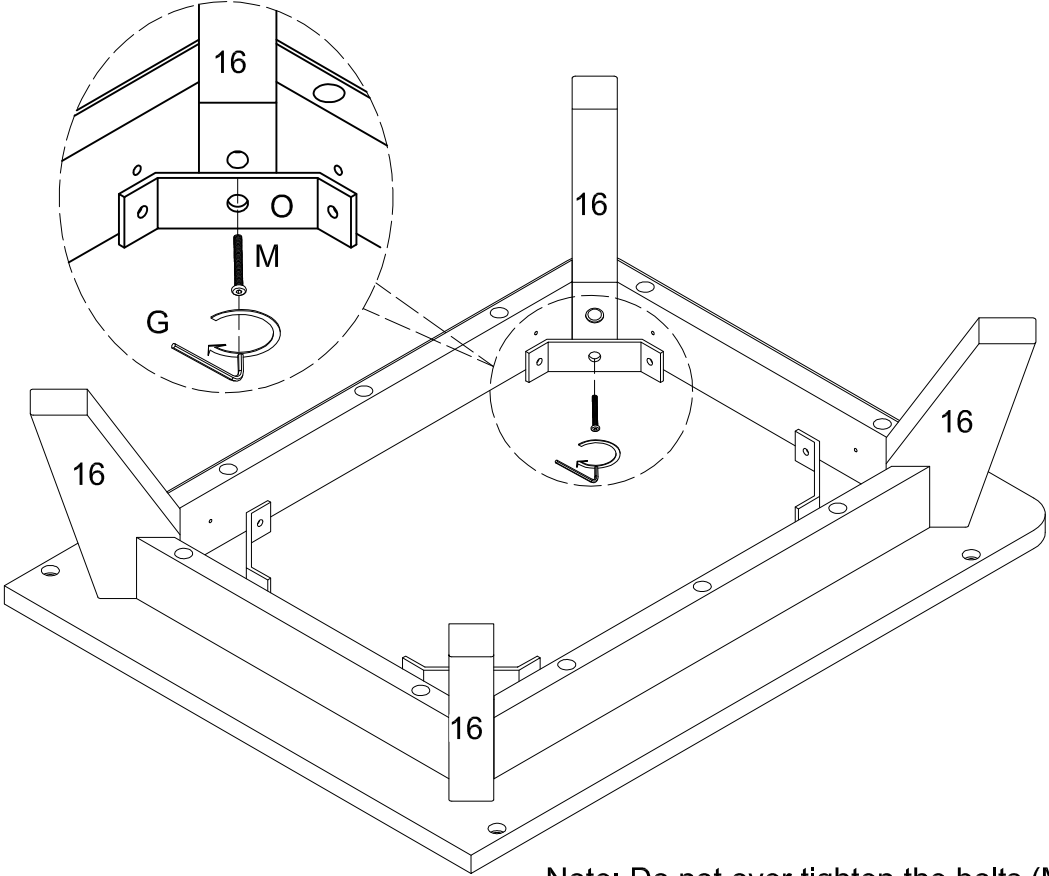
Step 19



Step 20

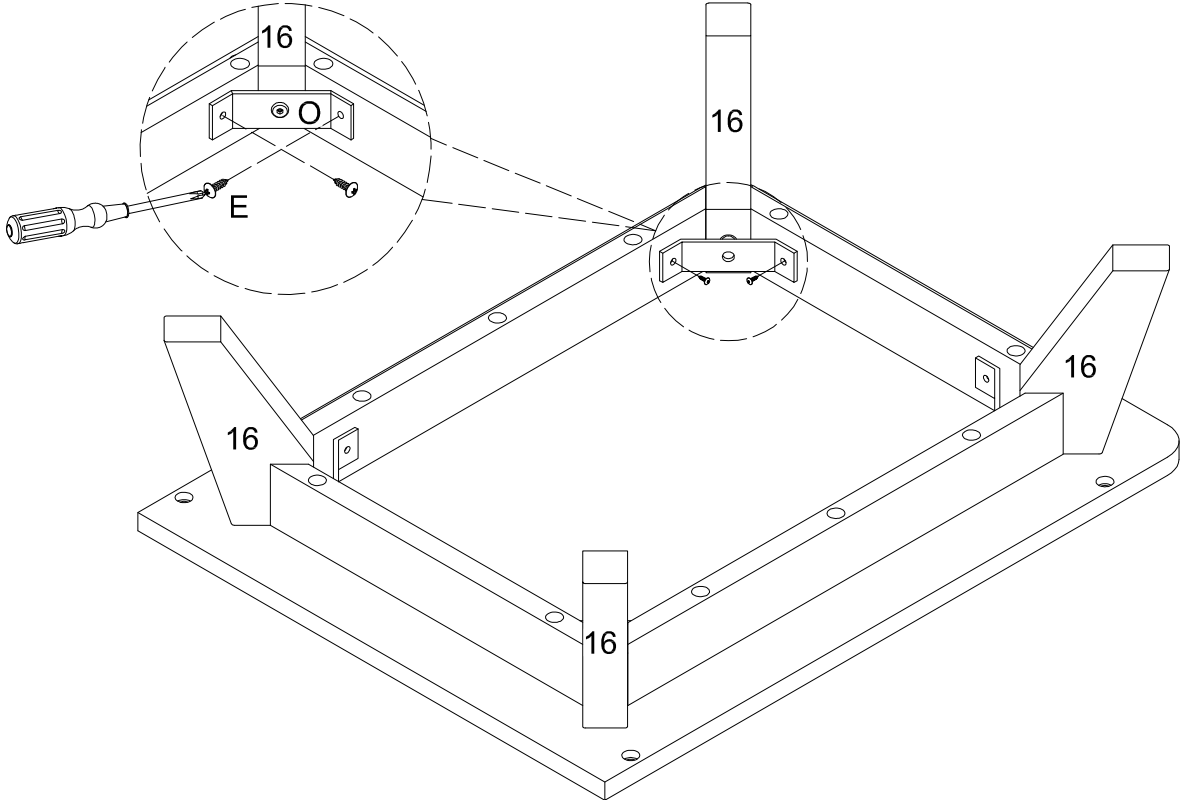


Step 21

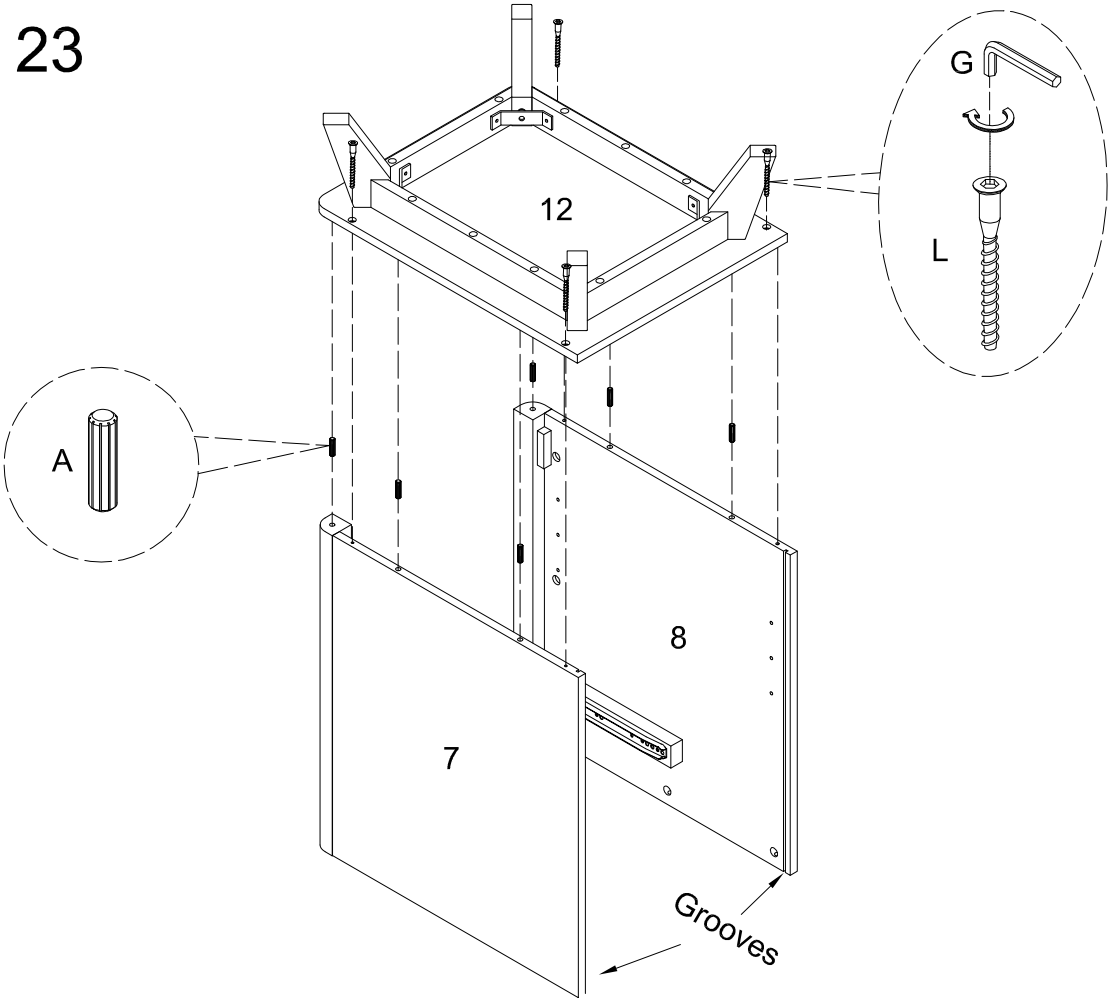


Note: Do not over tighten the bolts (M)

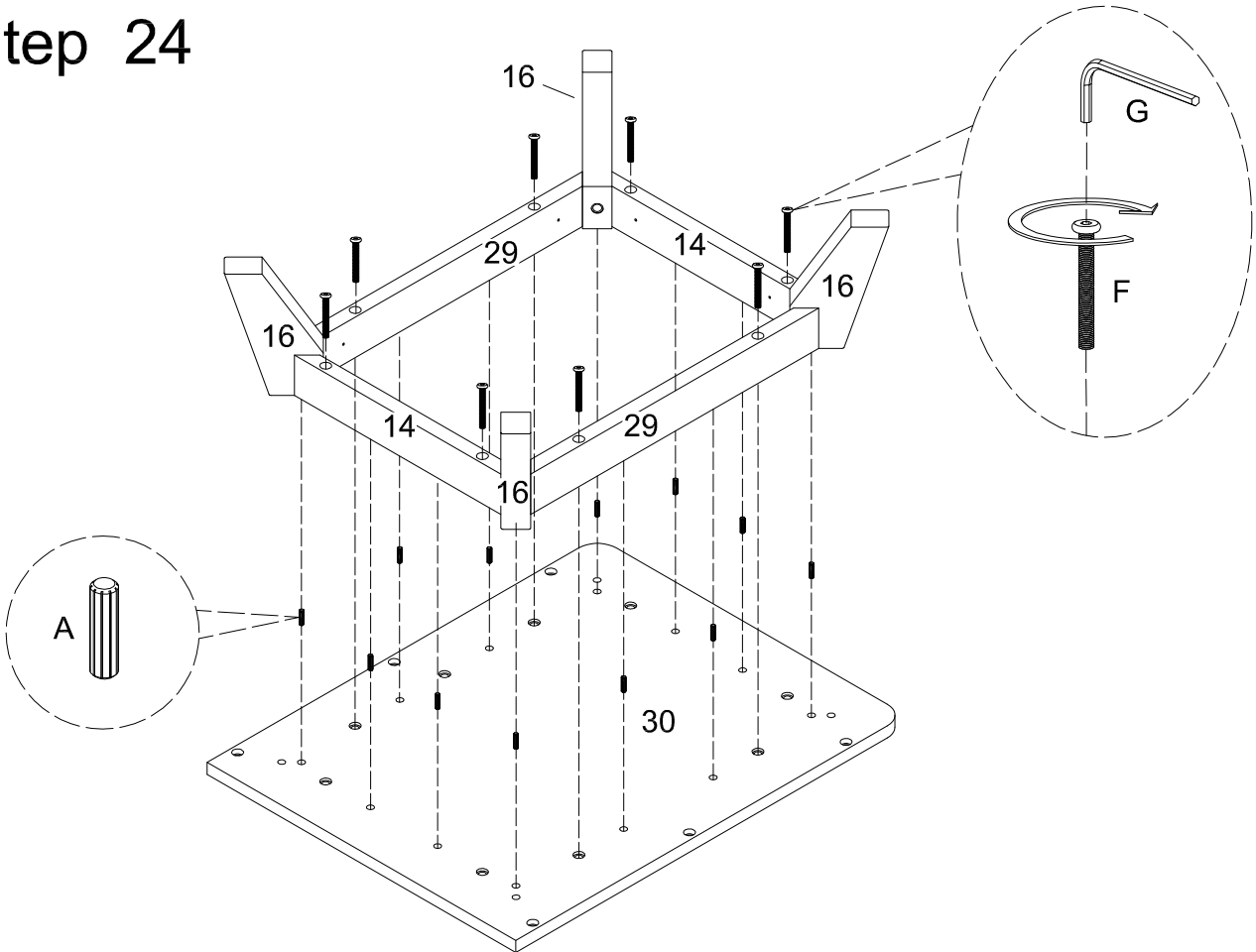
Step 22



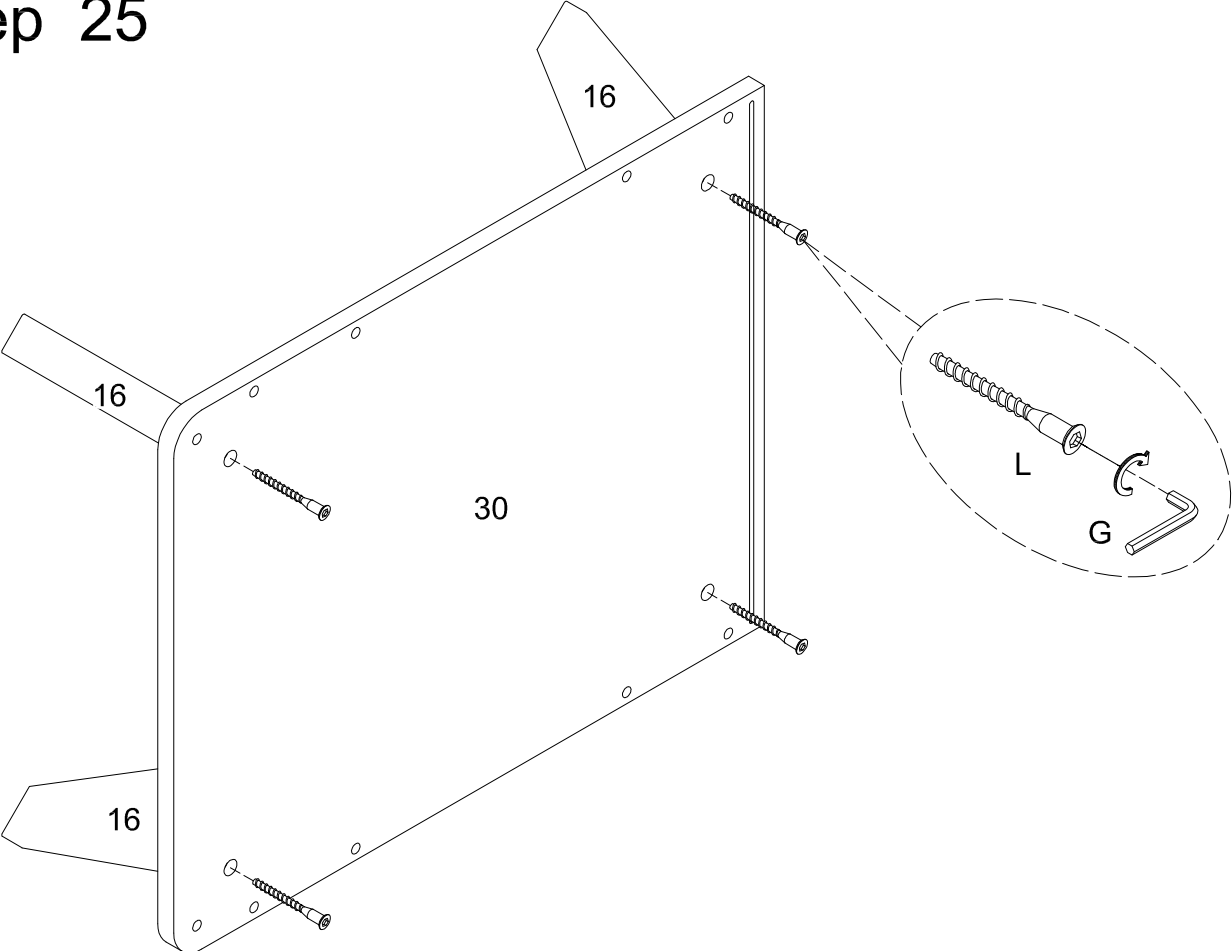
Step 23



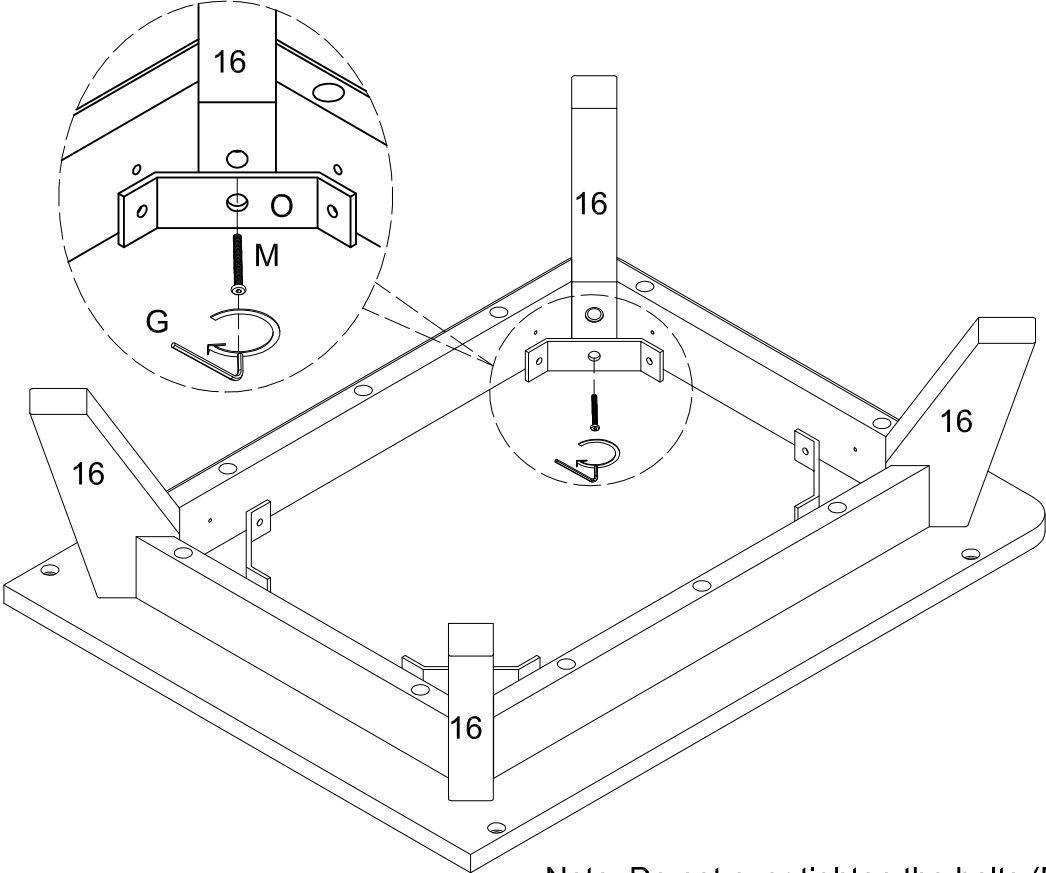
Step 24



Step 25

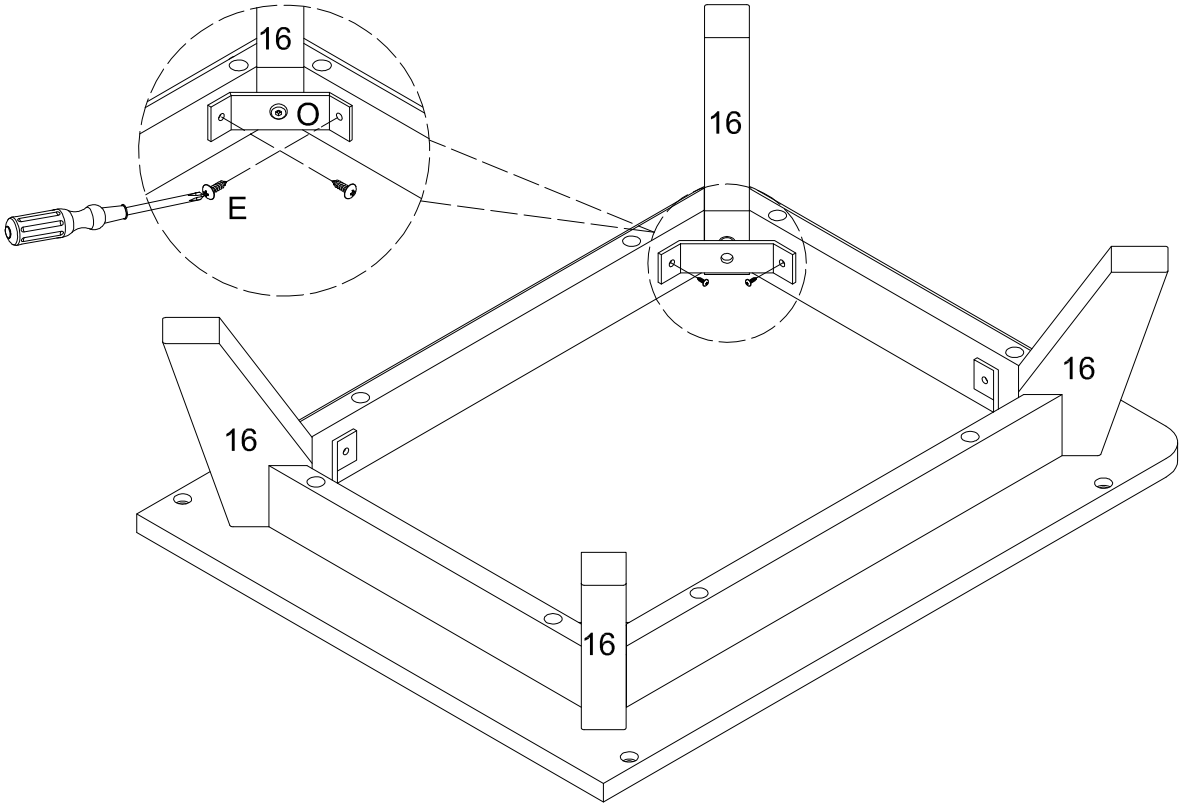


Step 26

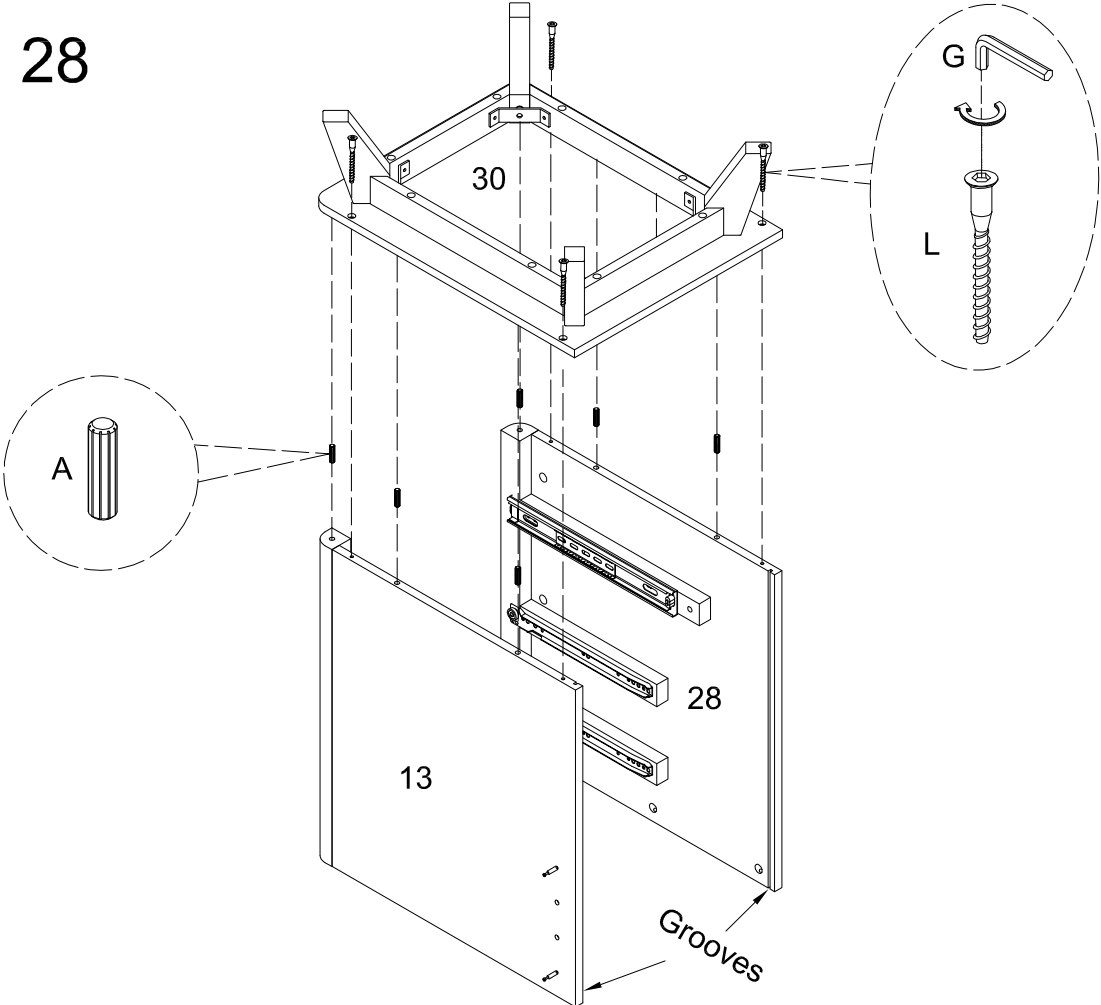


Note: Do not over tighten the bolts (M)

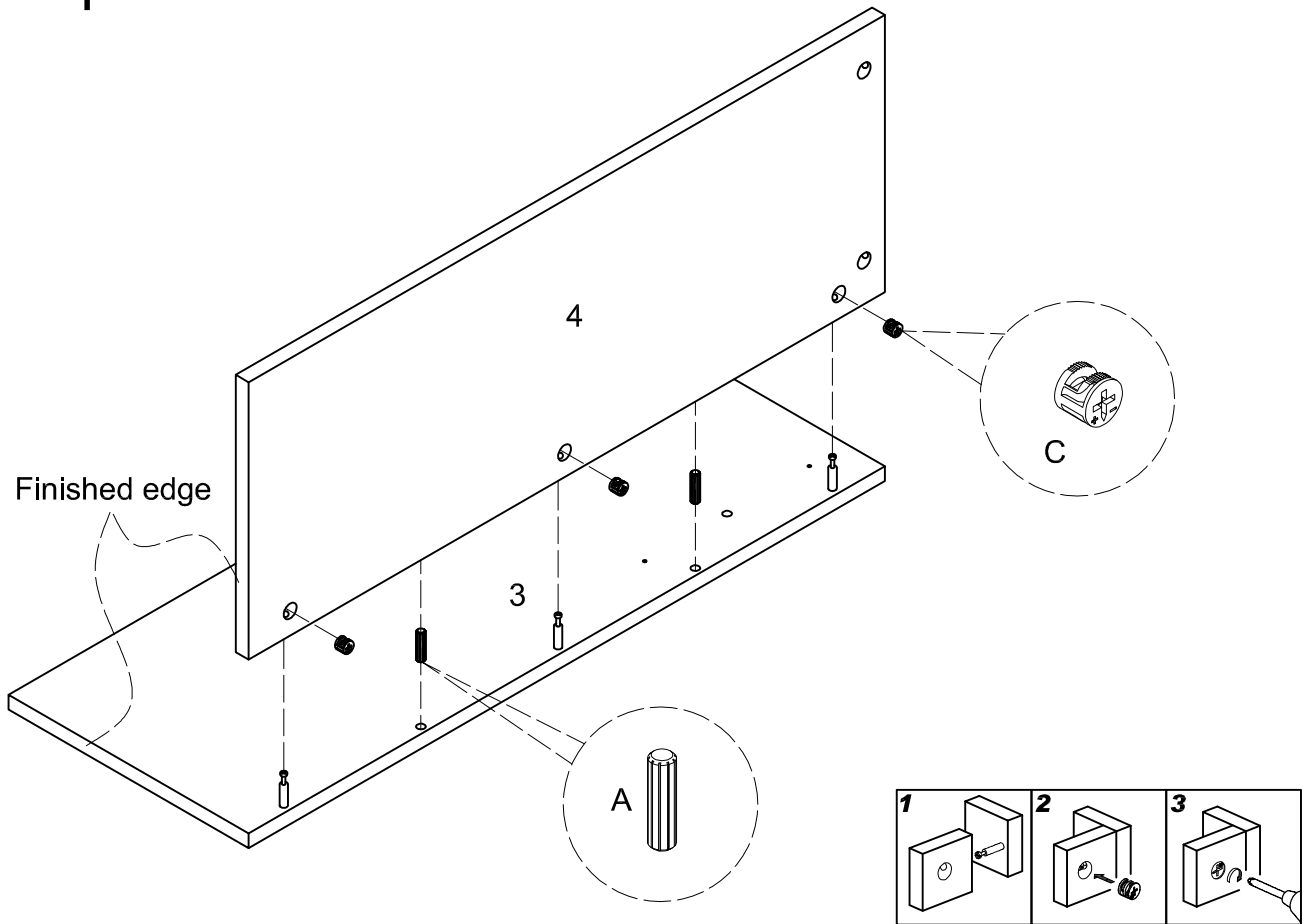
Step 27



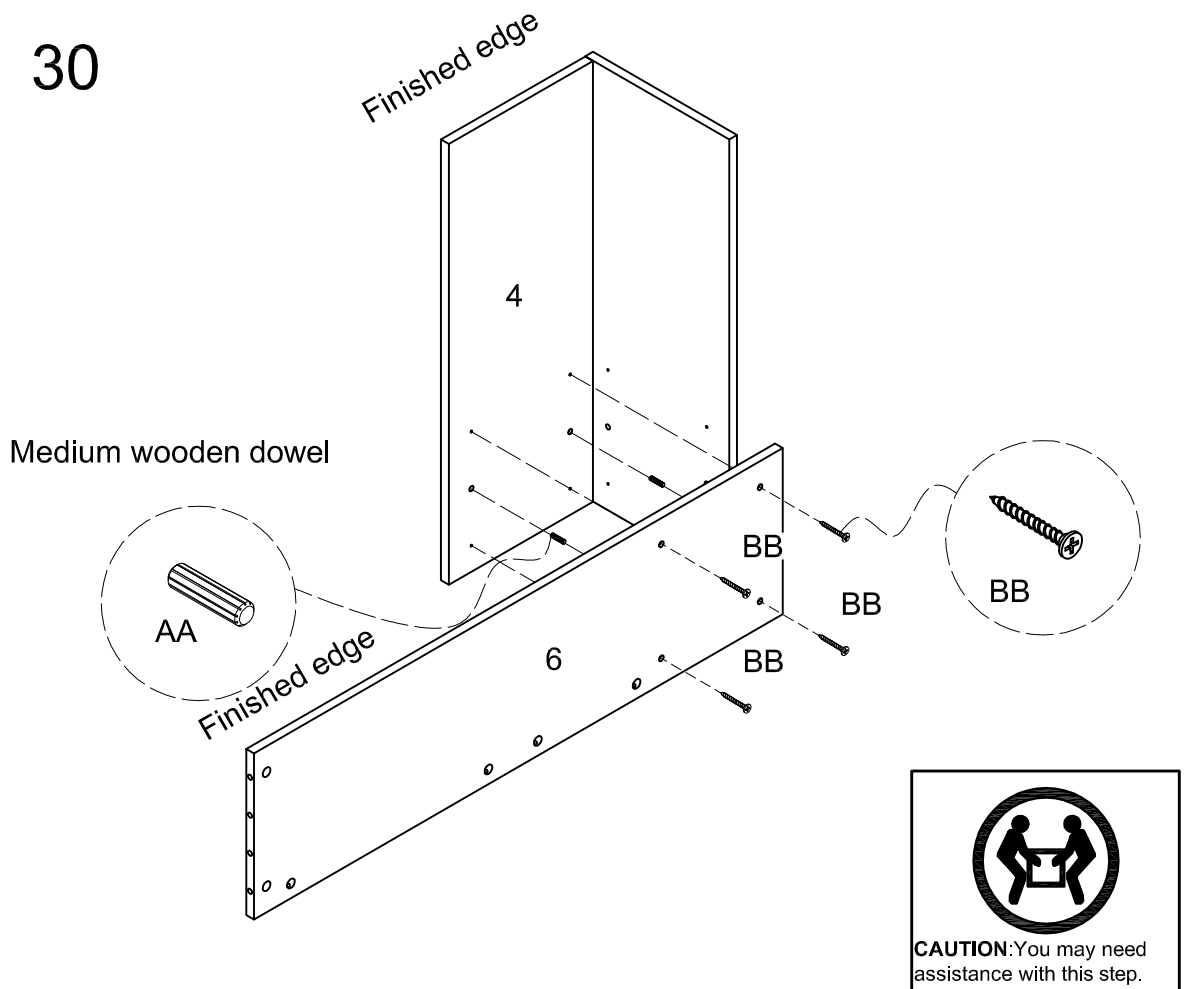
Step 28



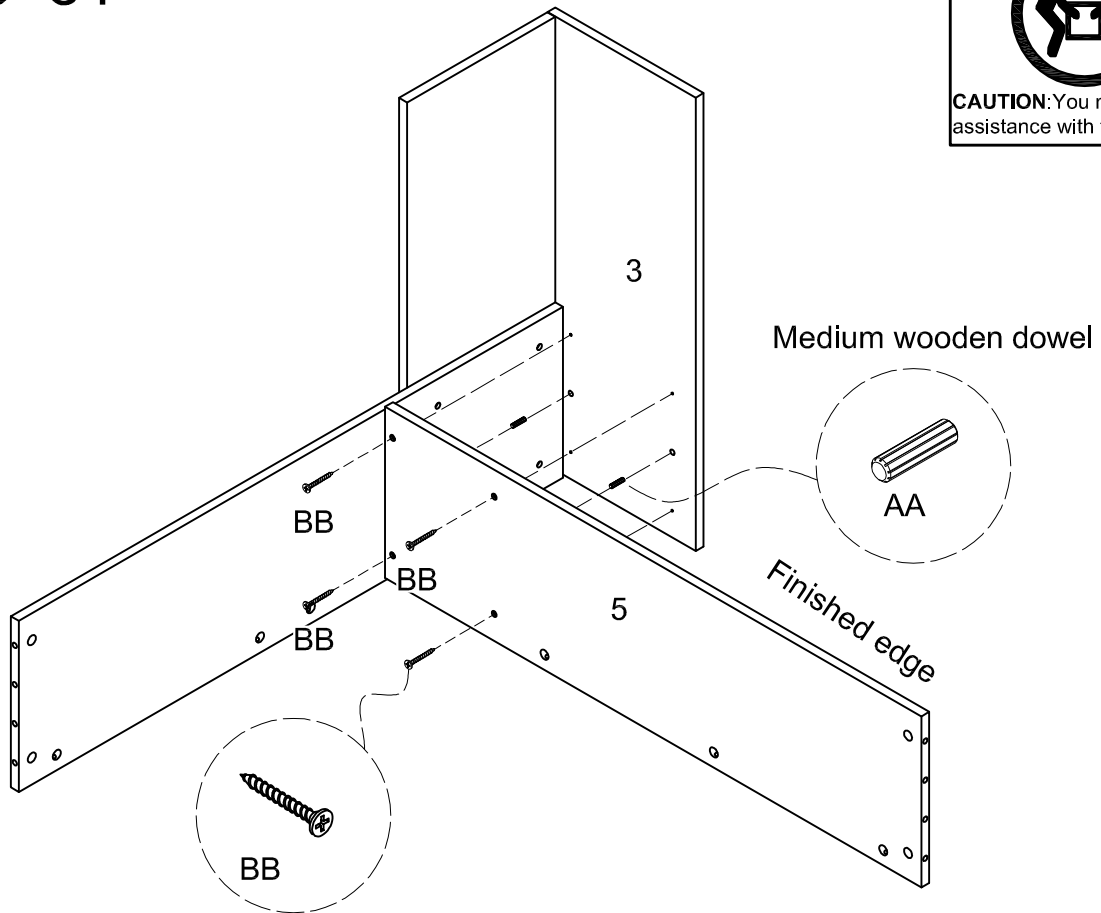
Step 29



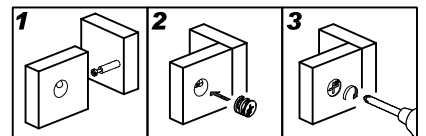
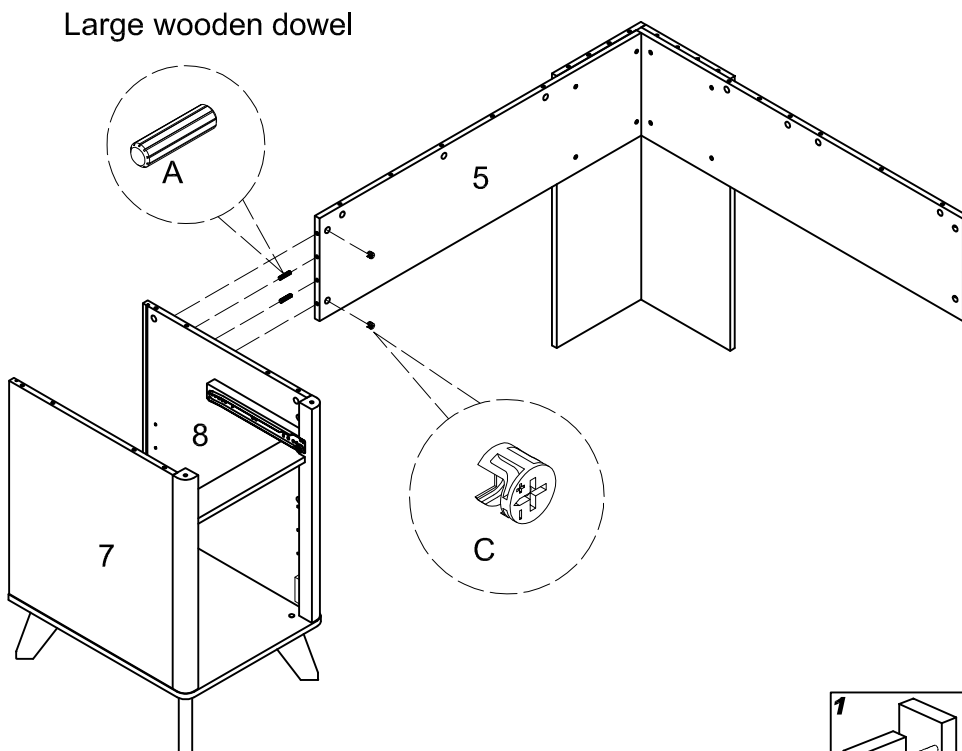
Step 30



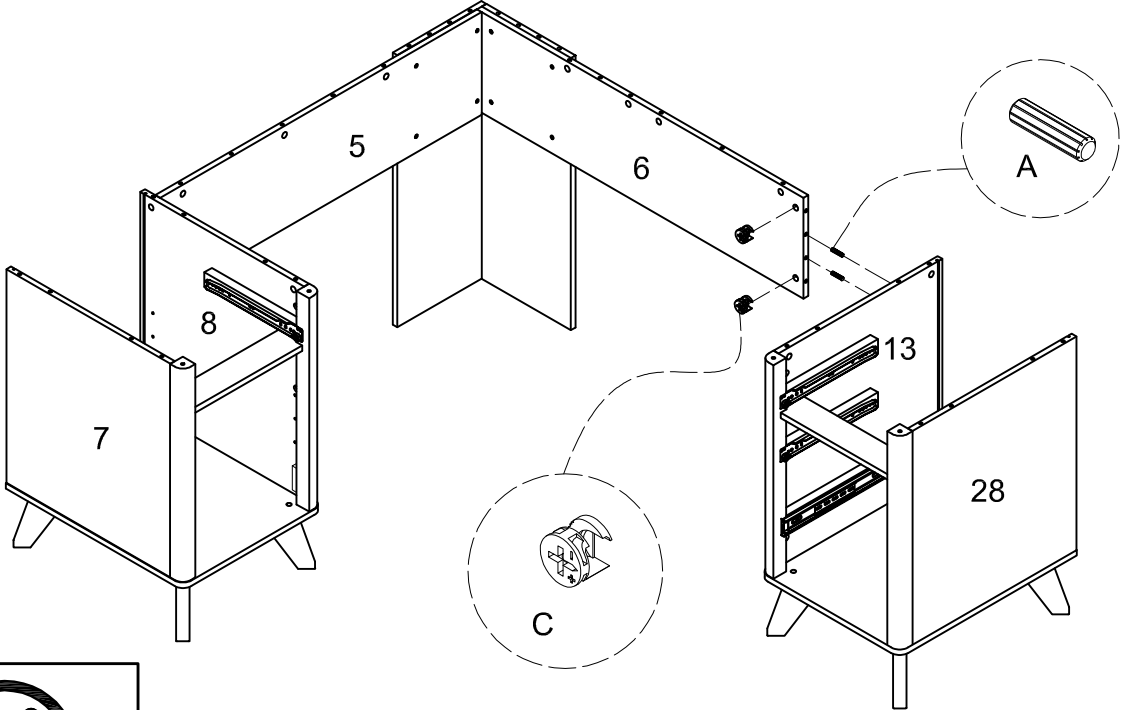
Step 31



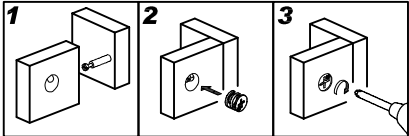
Step 32



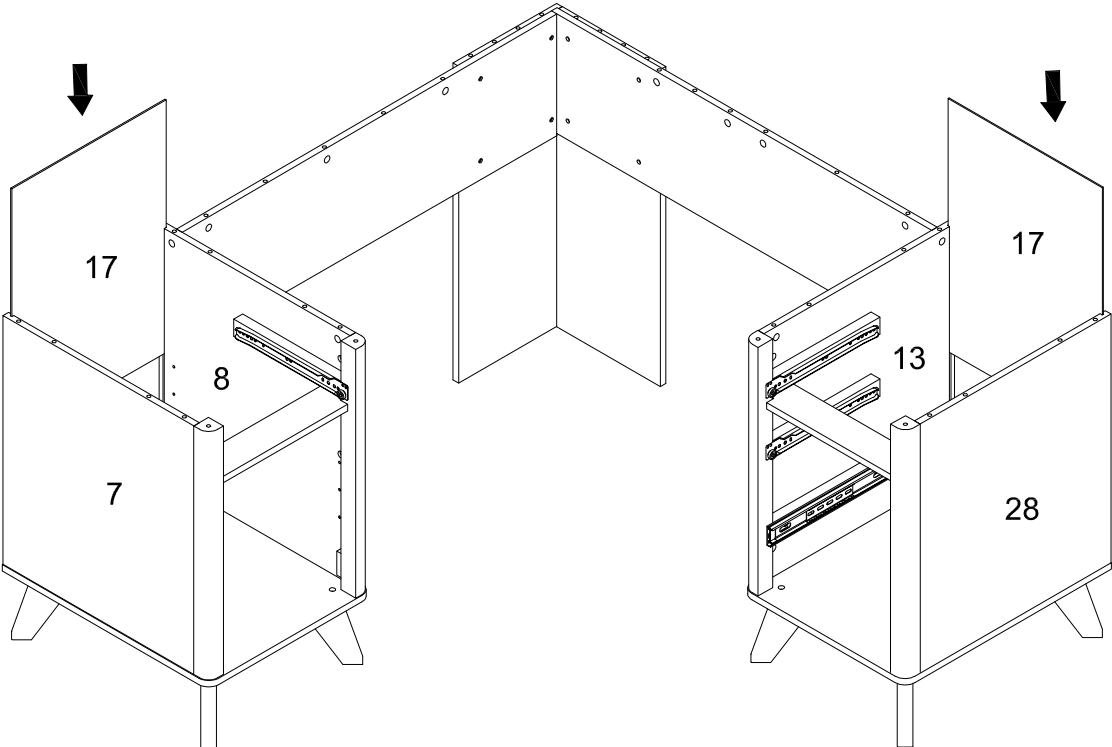
Step 33



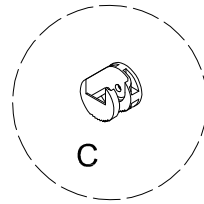
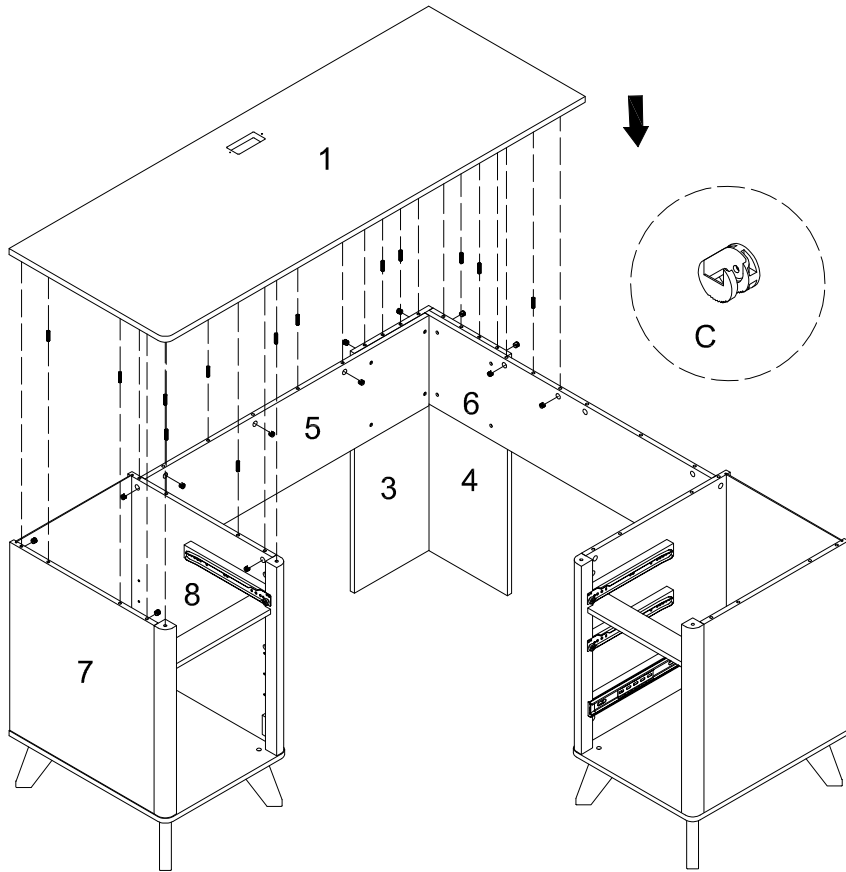
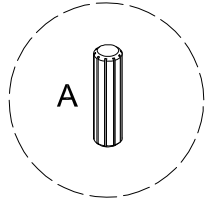
CAUTION: You may need assistance with this step.



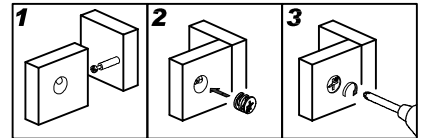
Step 34



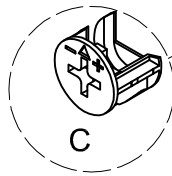
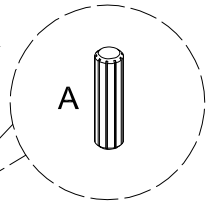
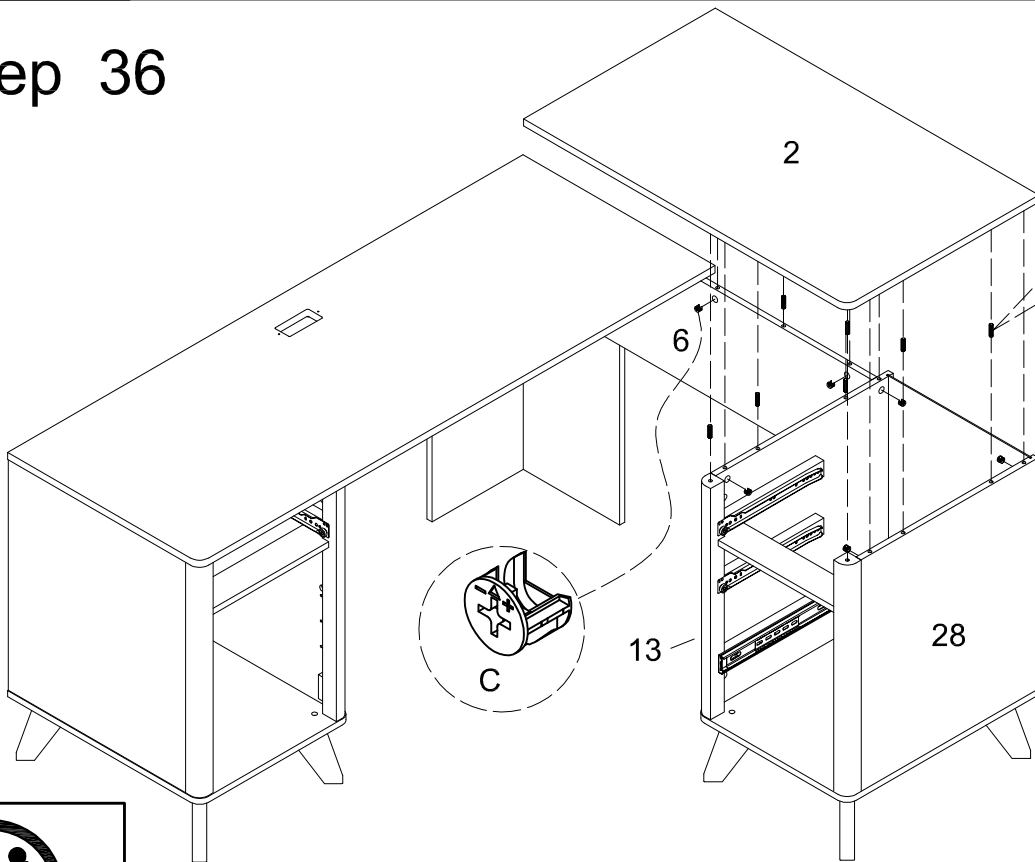
Step 35



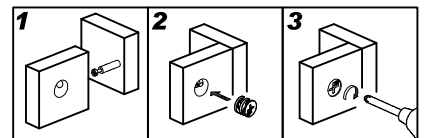
CAUTION: You may need assistance with this step.



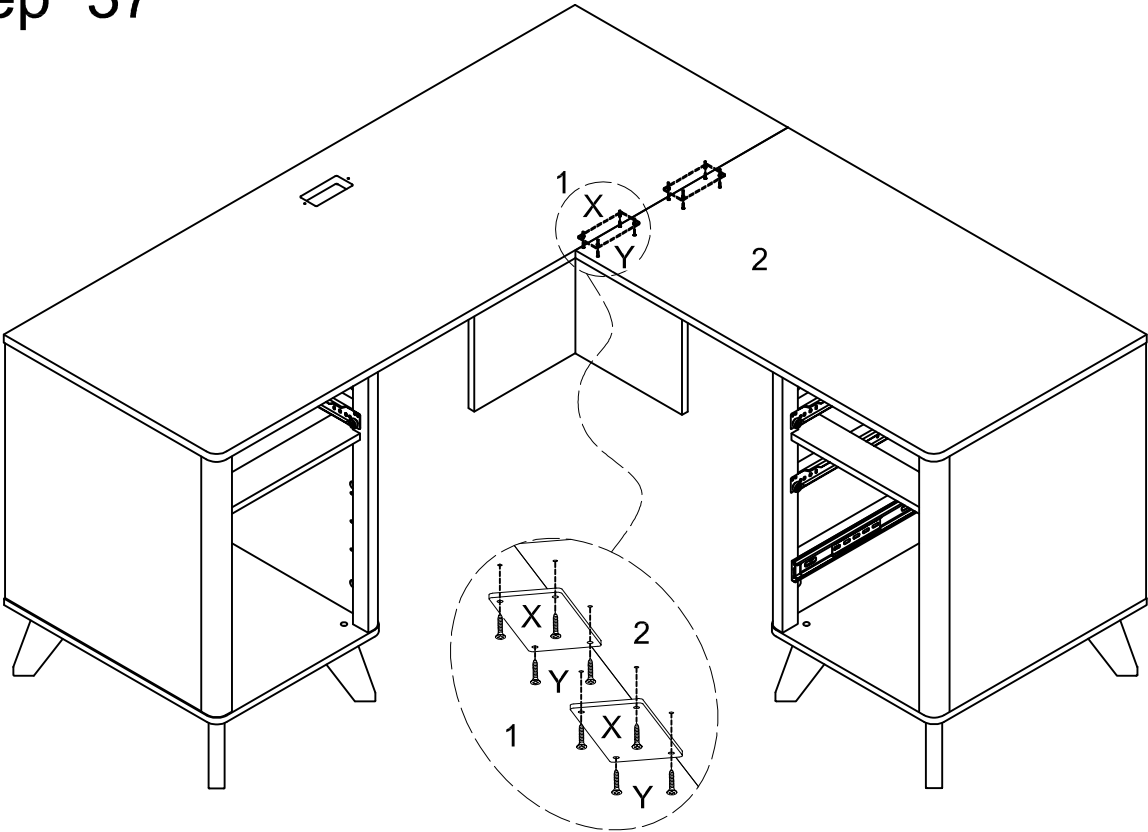
Step 36



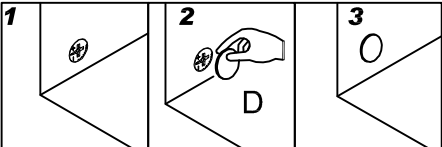
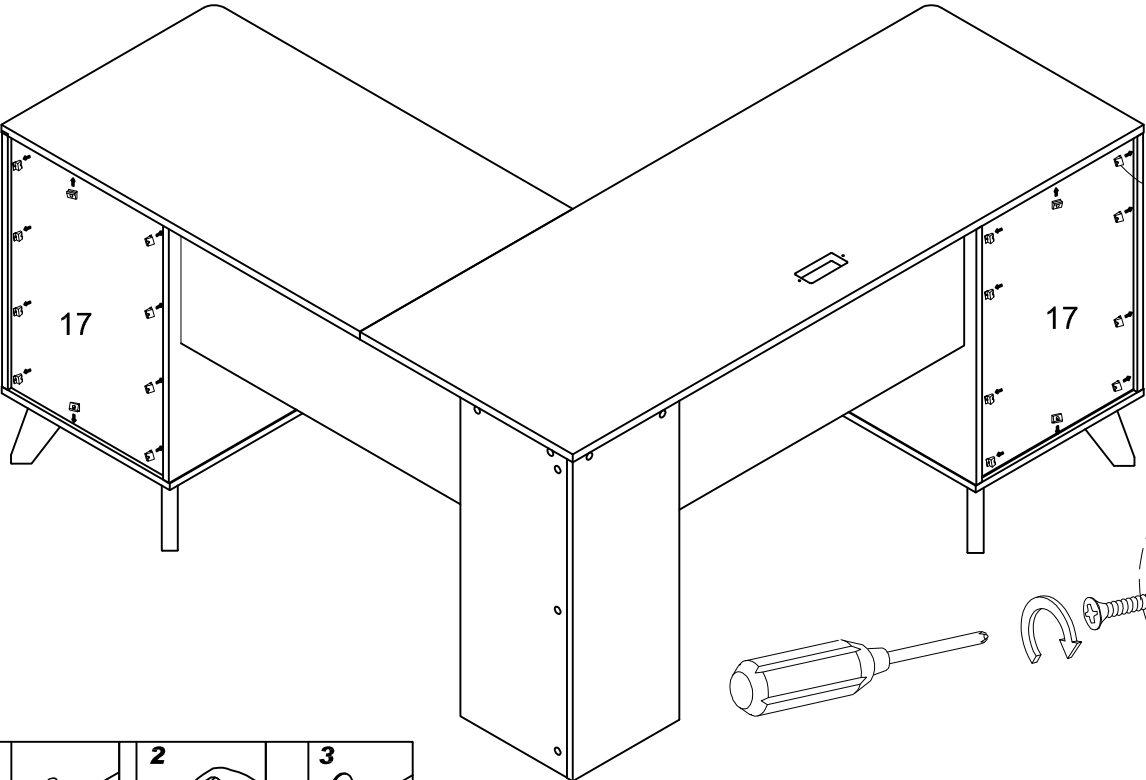
CAUTION: You may need assistance with this step.



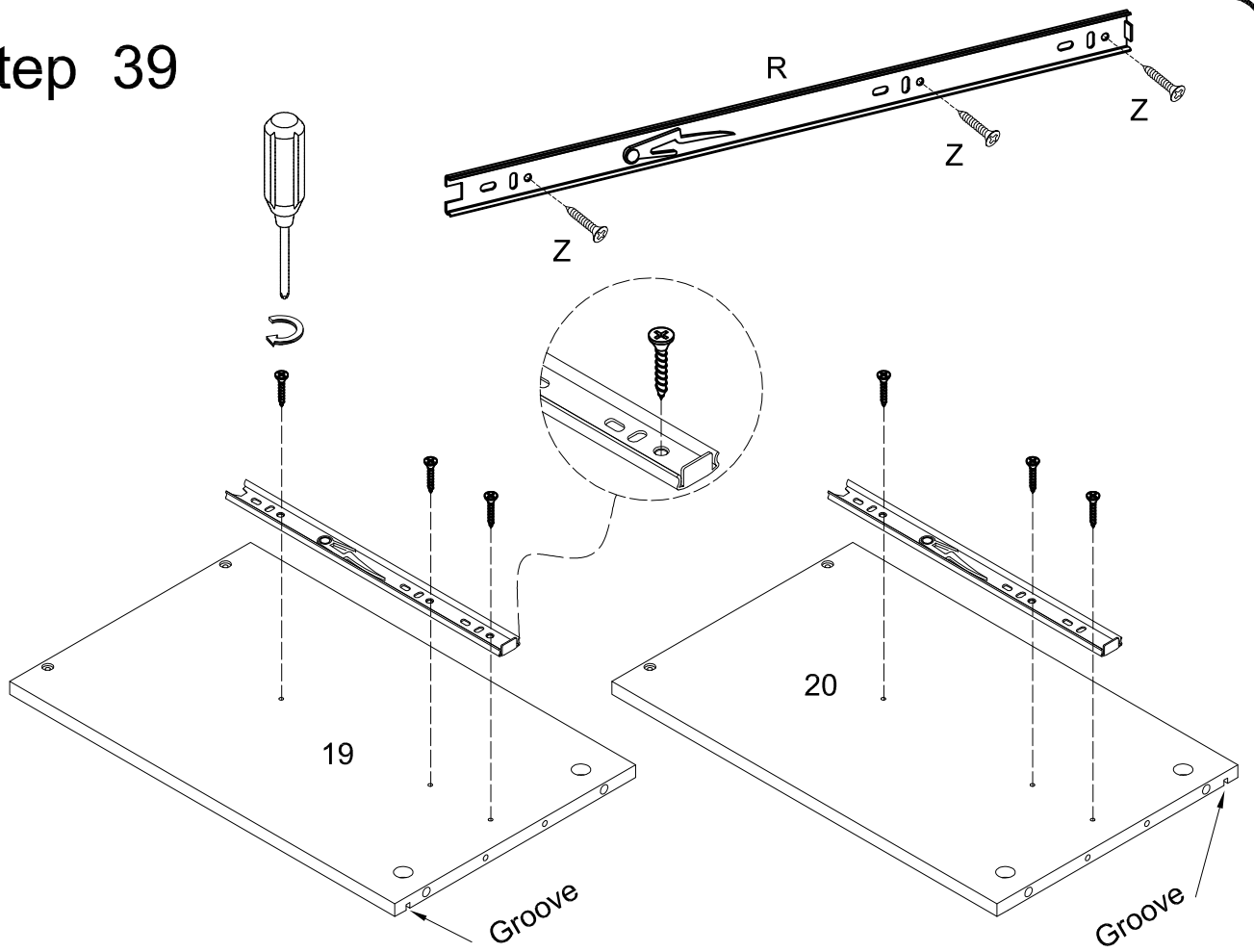
Step 37



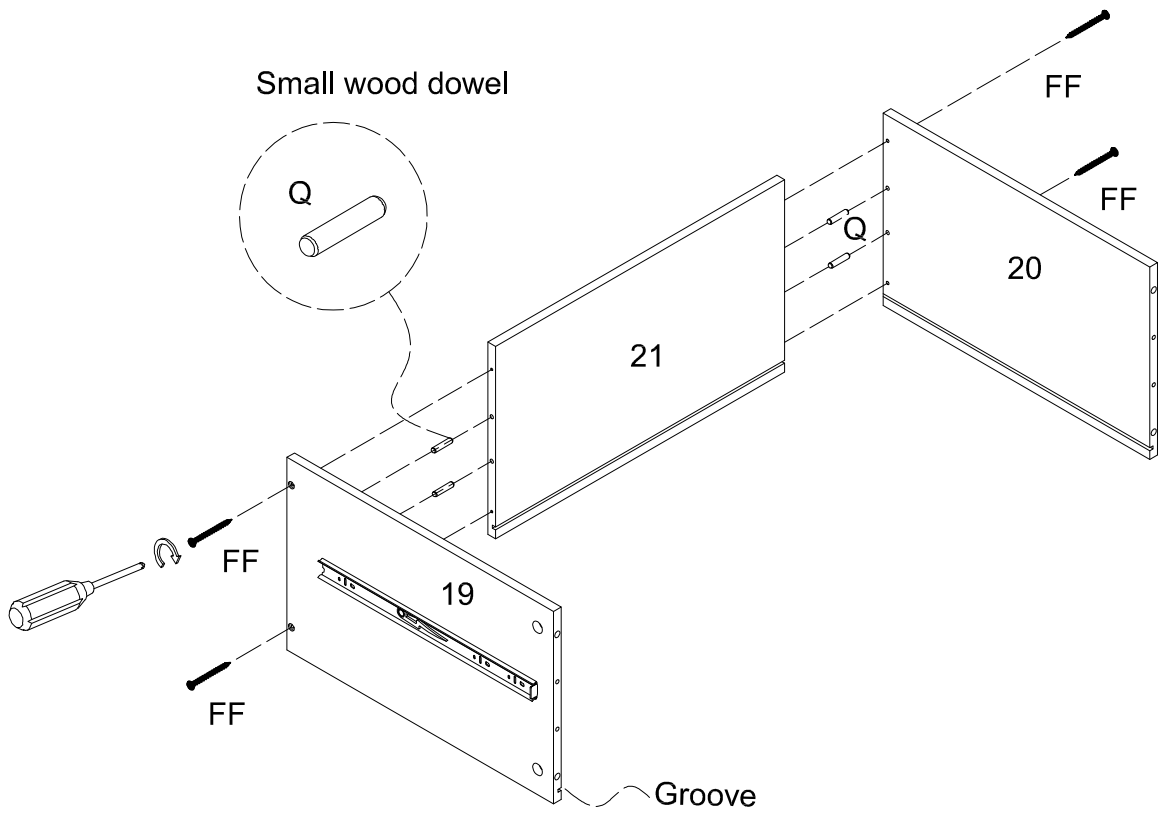
Step 38



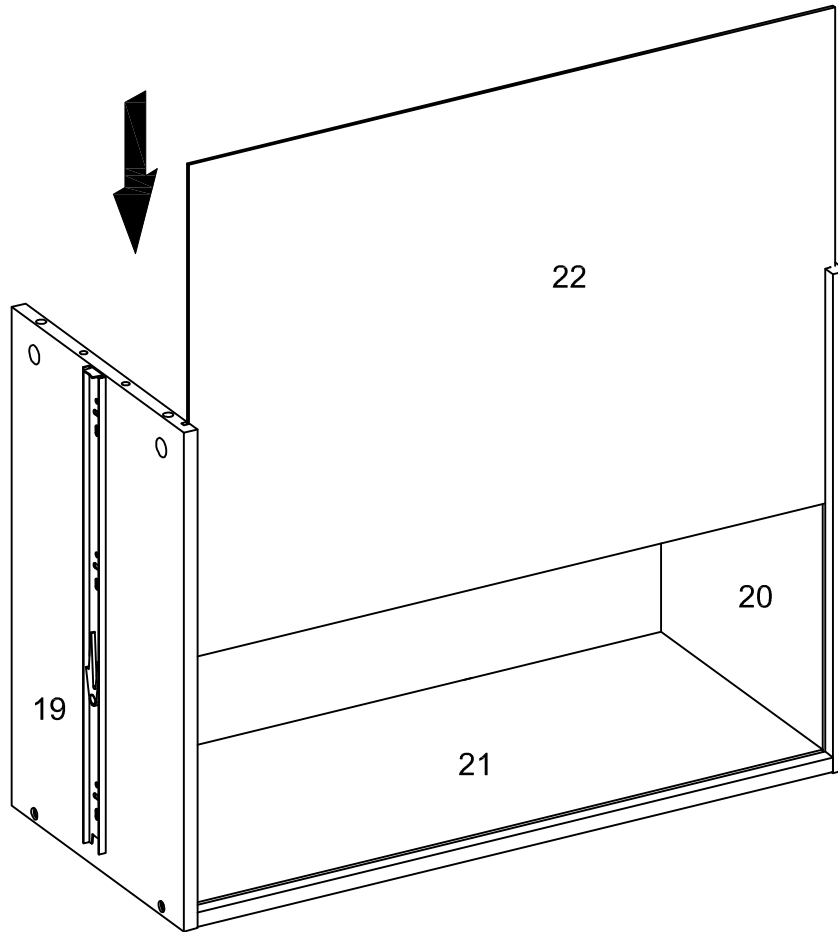
Step 39



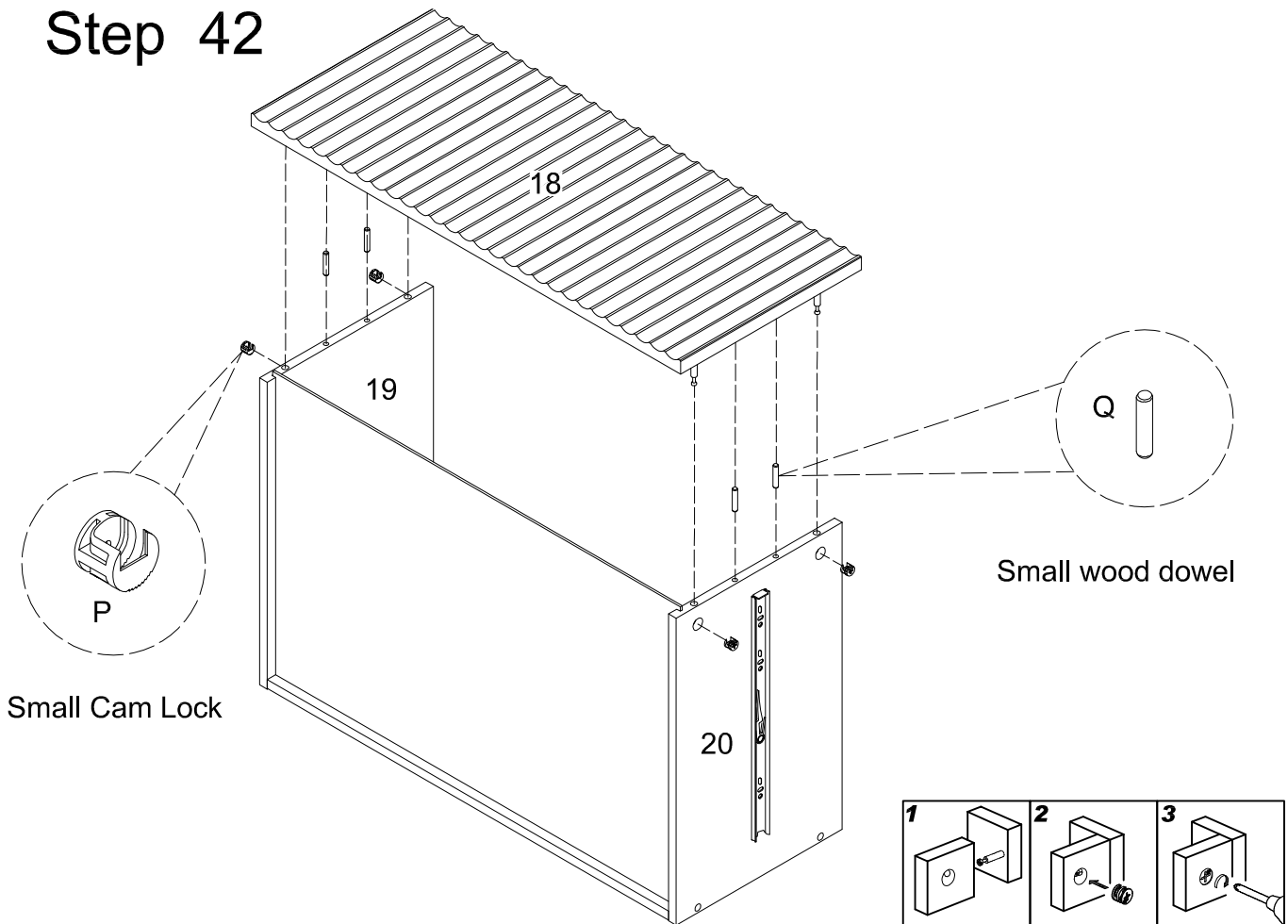
Step 40



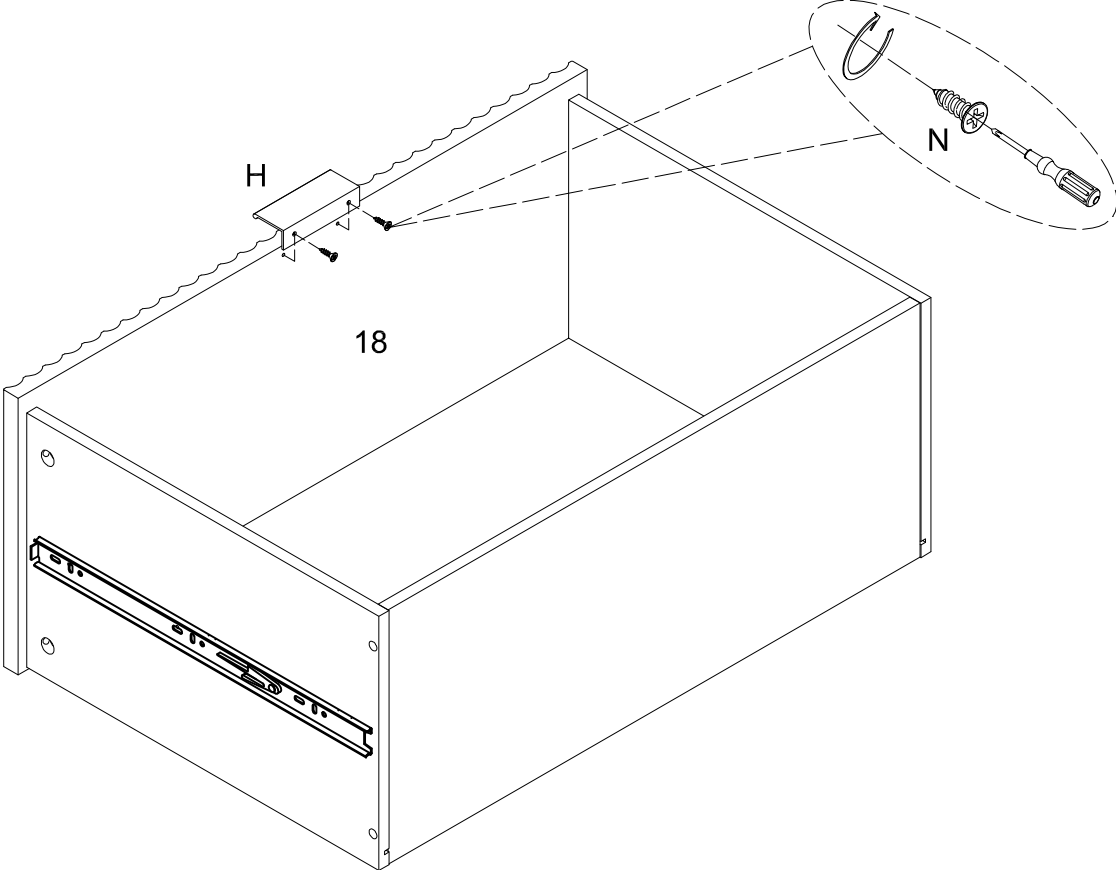
Step 41



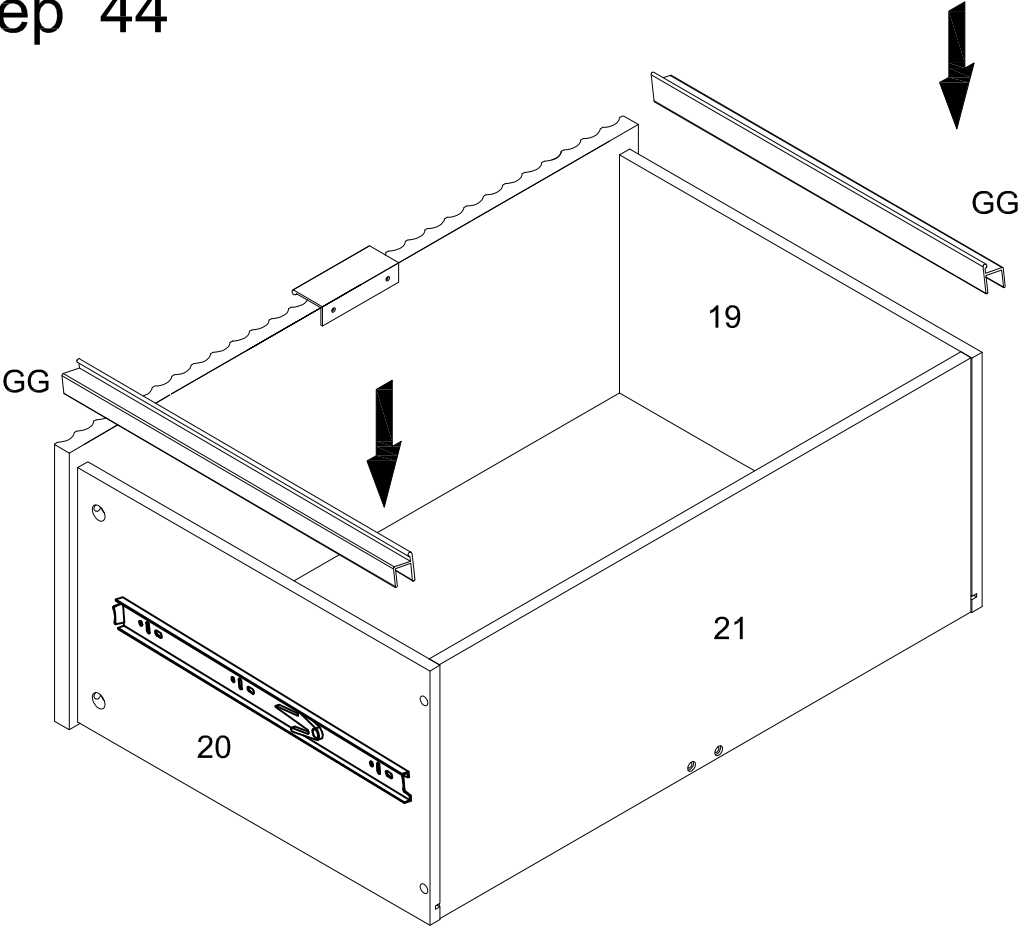
Step 42



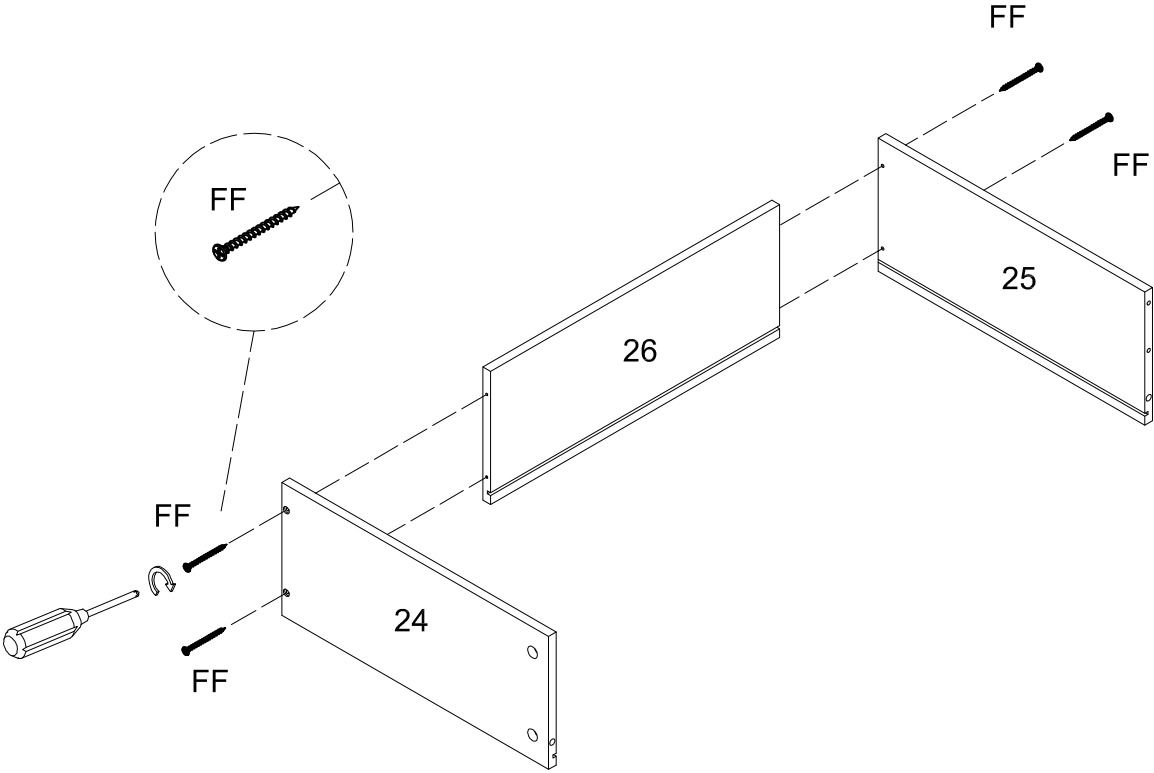
Step 43



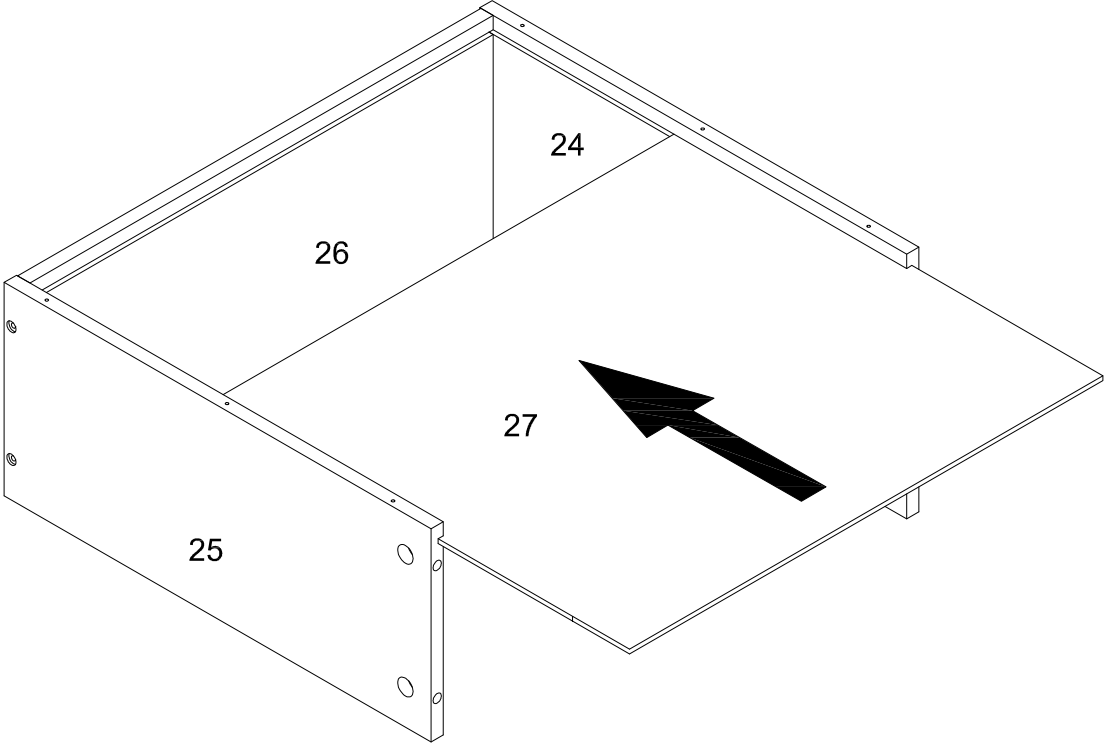
Step 44



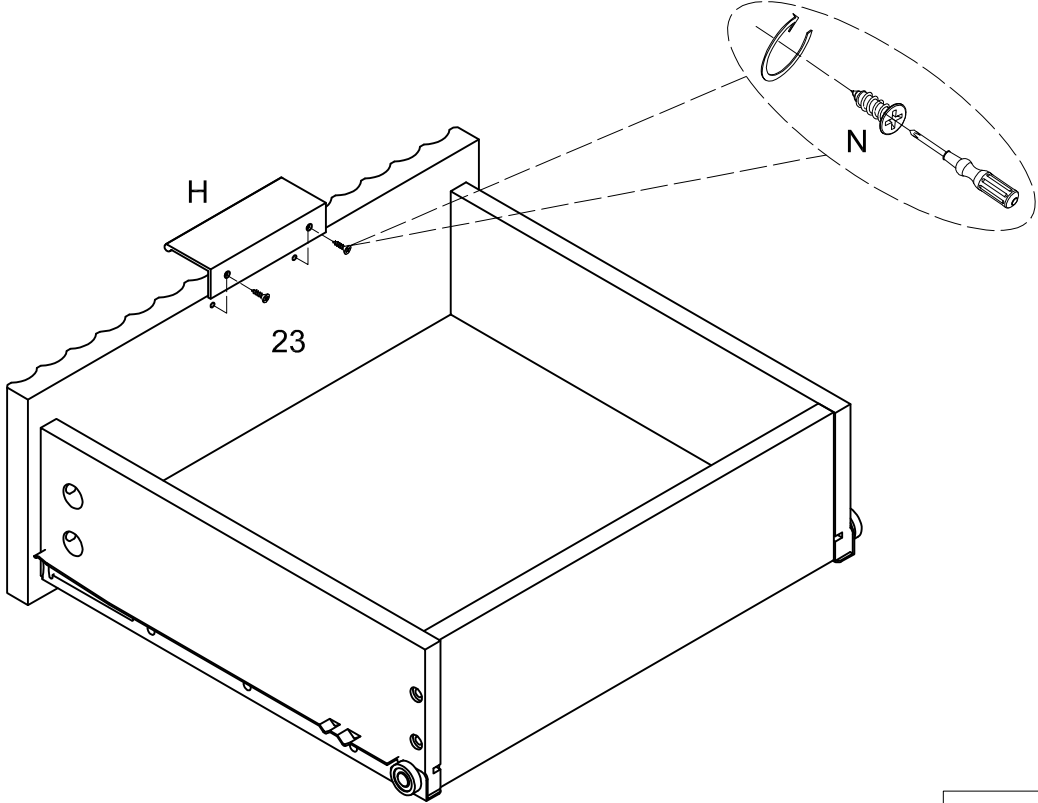
Step 45



Step 46

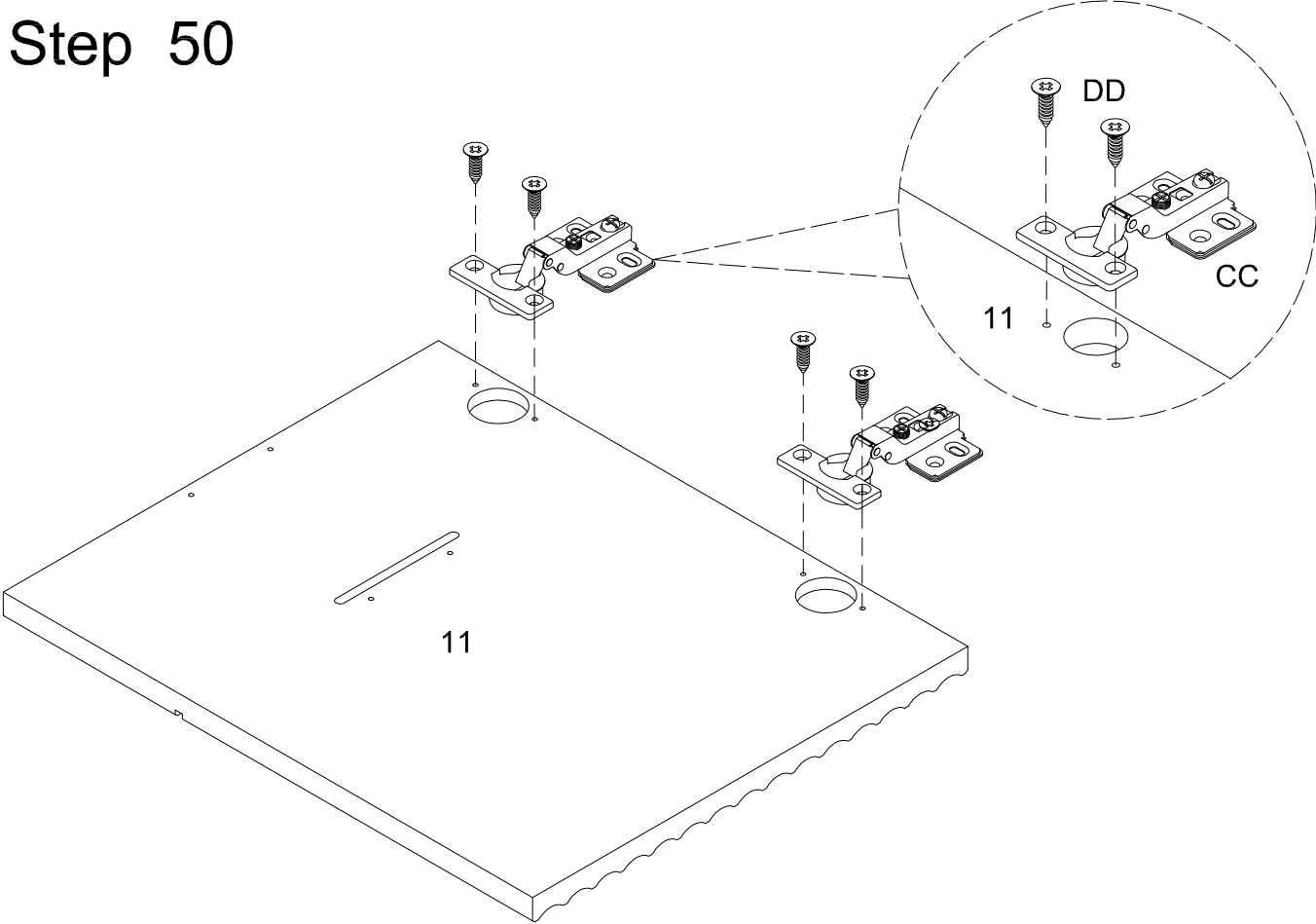


Step 49

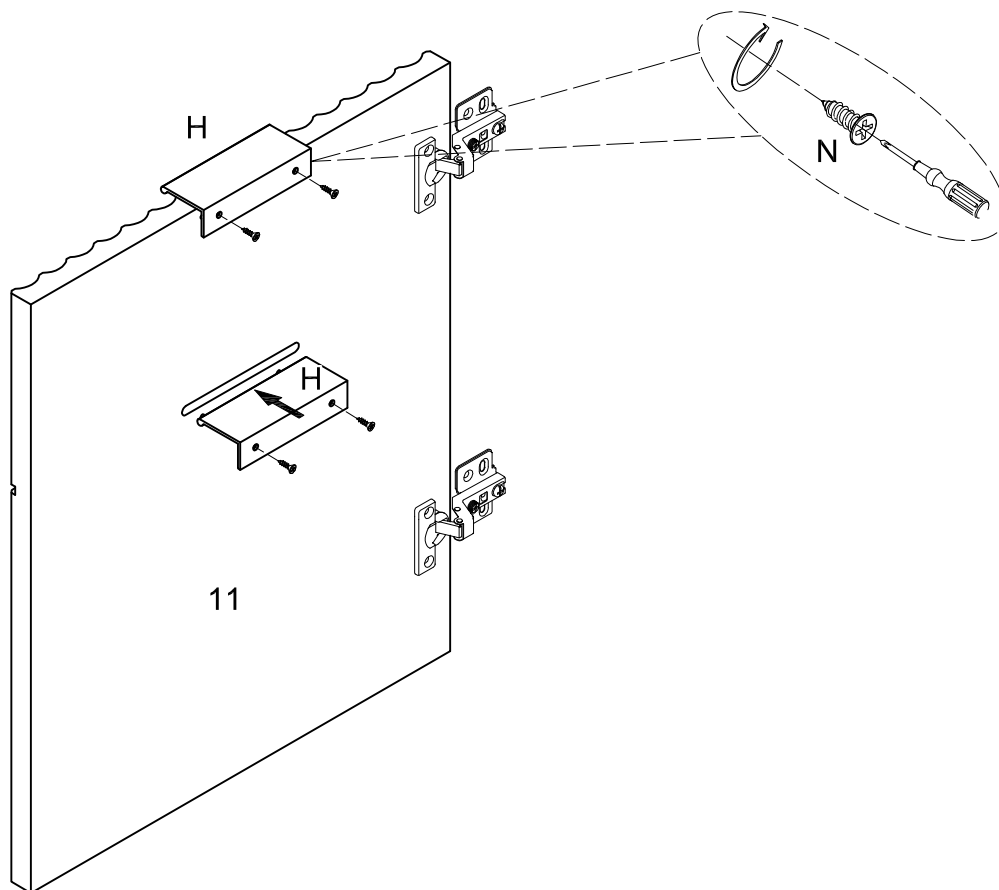


x3

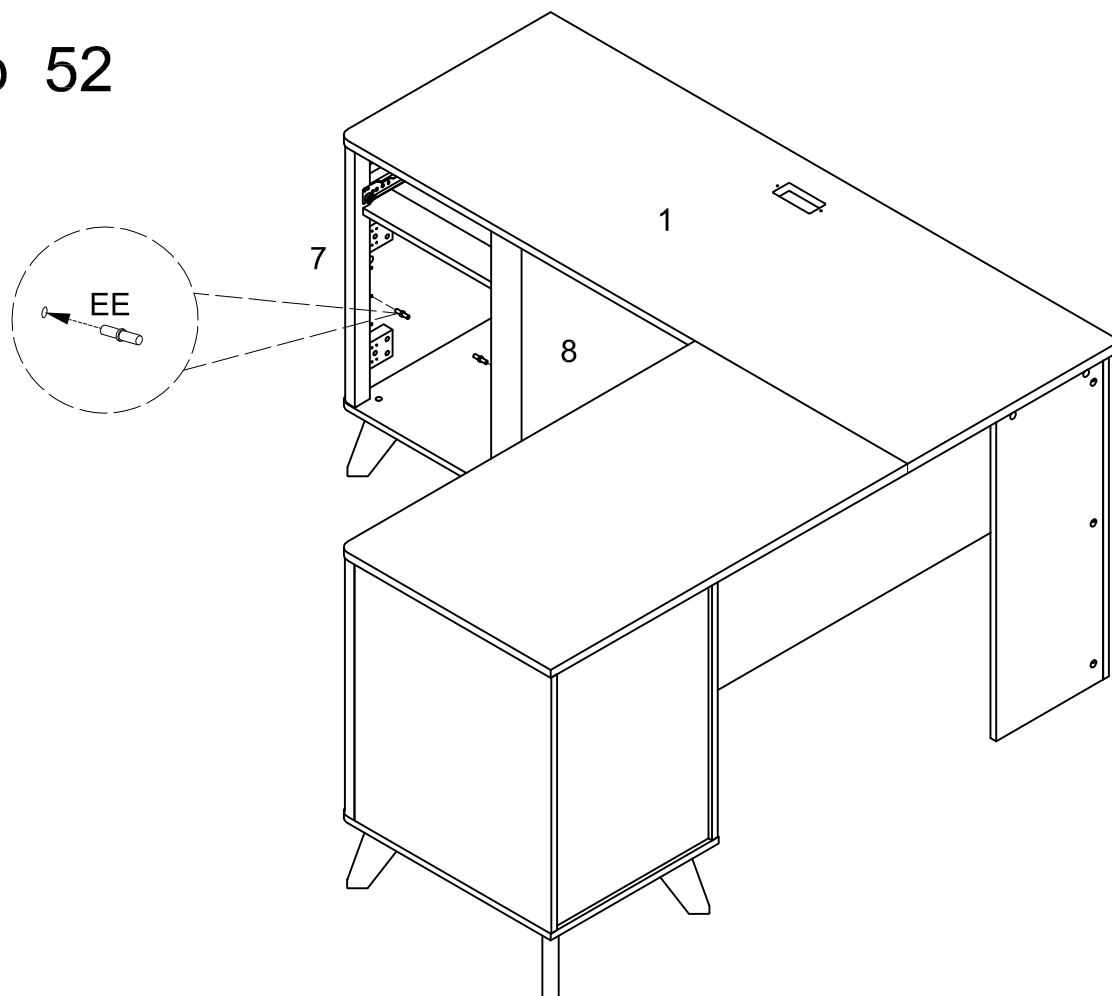
Step 50



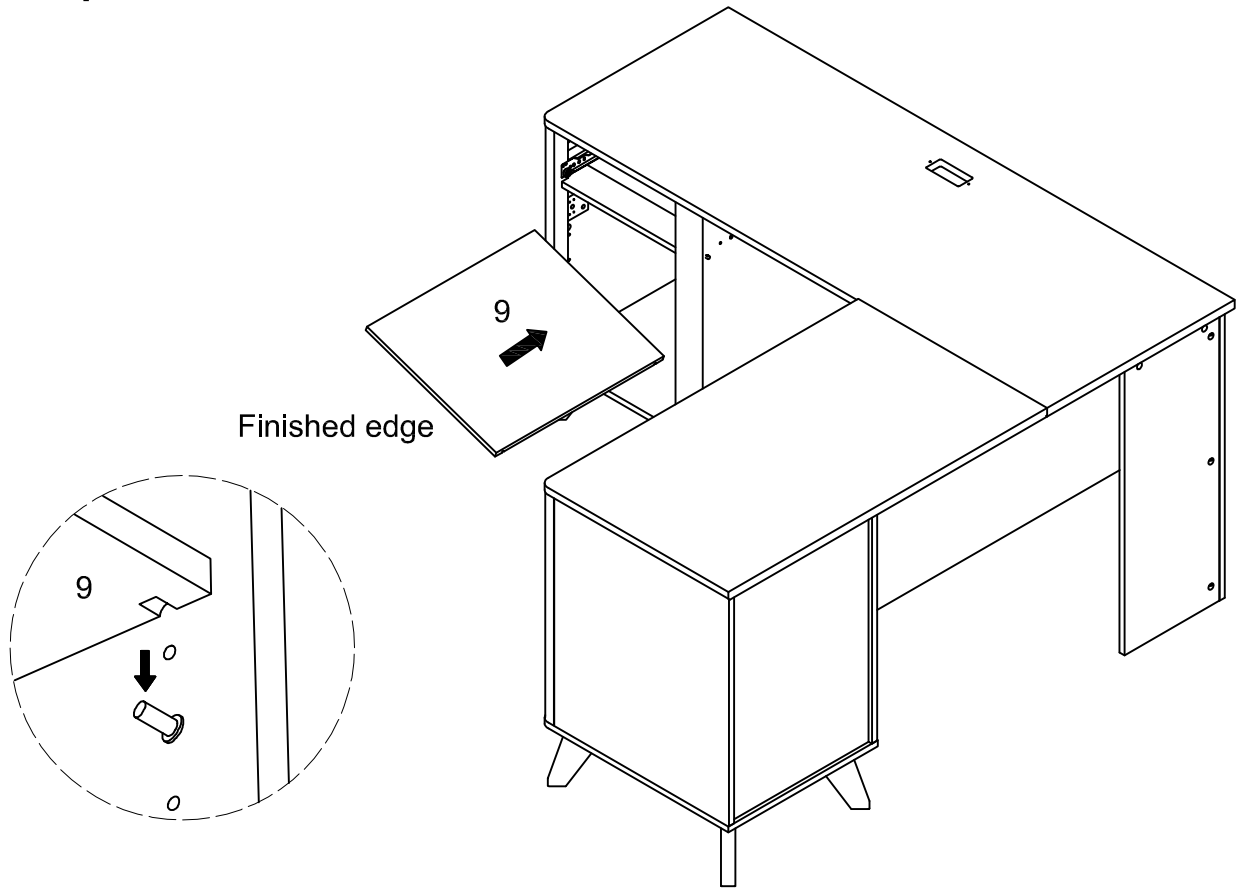
Step 51



Step 52

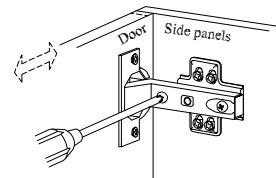
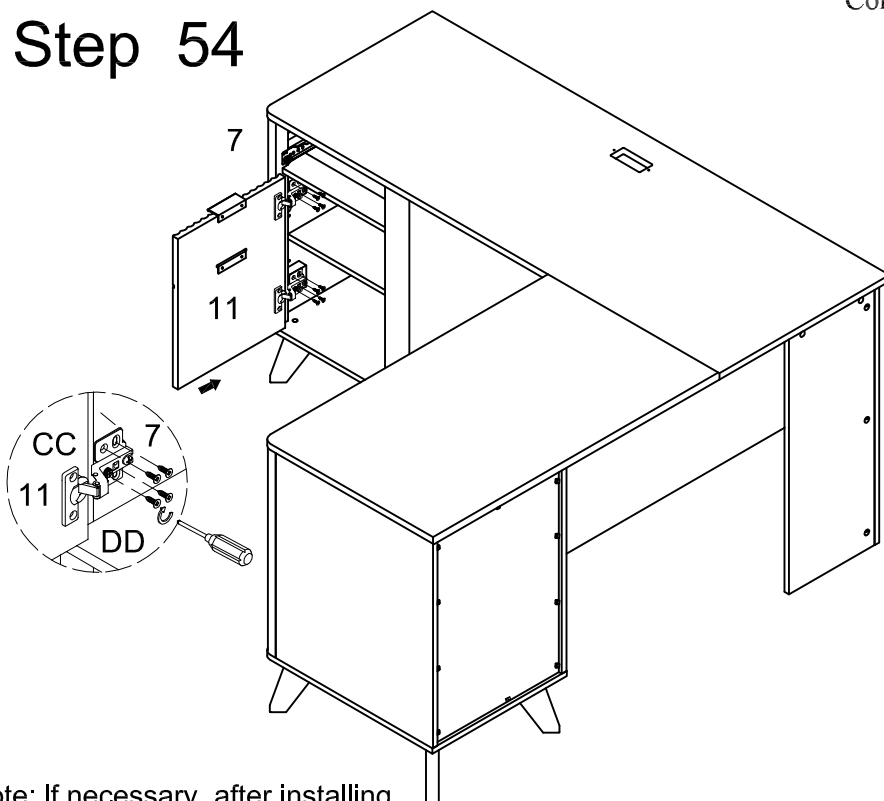


Step 53

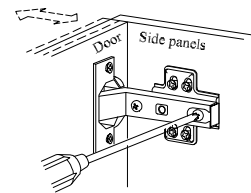


Concealed hinges are three-way adjustable.

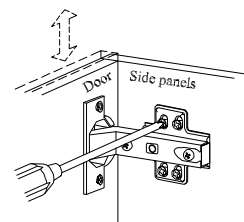
Step 54



Horizontal
by screw adjustment



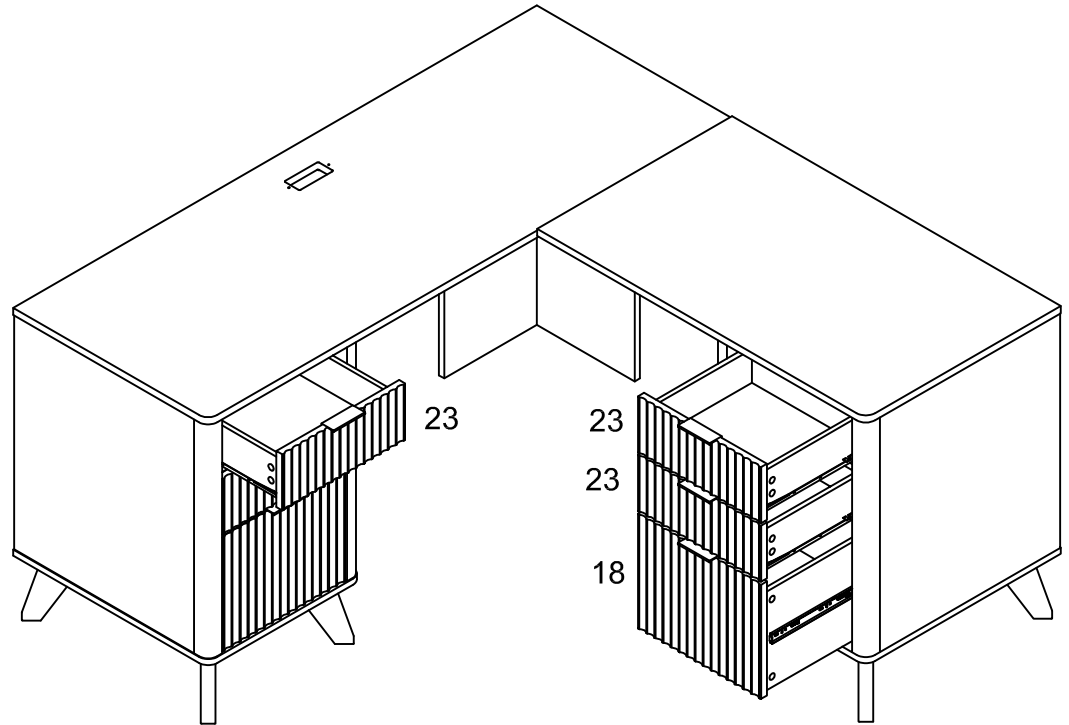
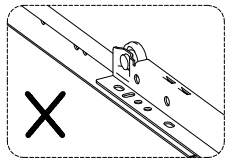
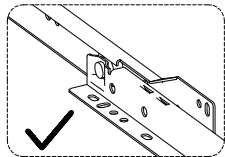
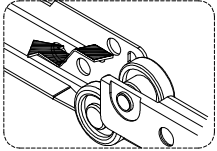
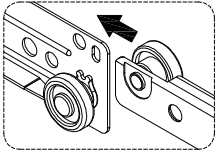
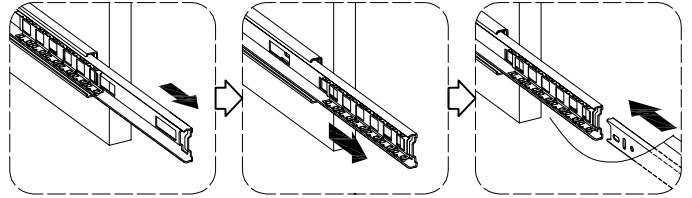
In-and-Out
by loosening the hinge-arm
mounting screw or via cam
adjustment



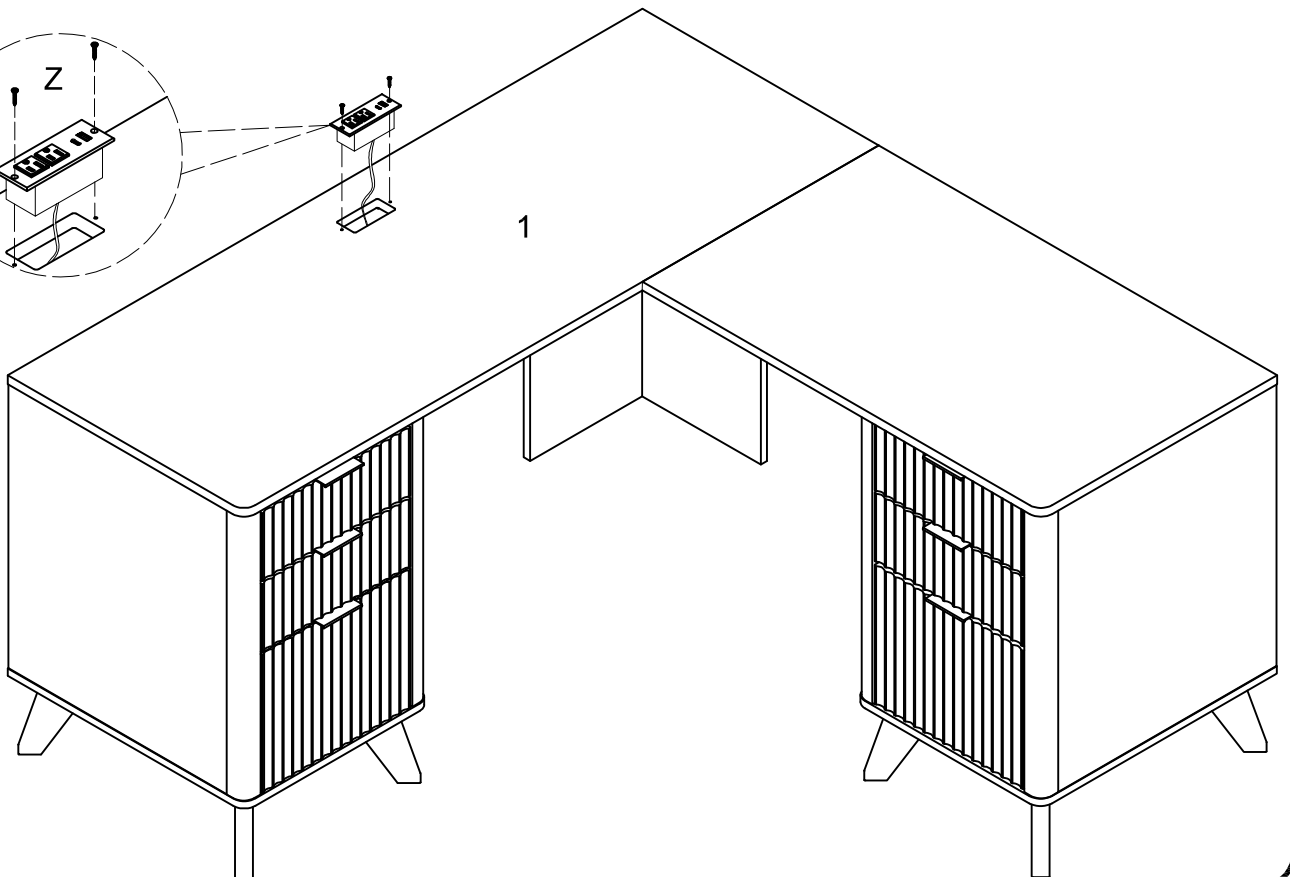
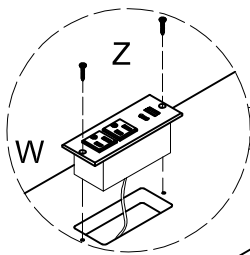
Vertical
Via slots in the mounting
plate or via cam adjustment

Note: If necessary, after installing the drawers in the step 55, you can adjust the hinges to make the gap of the door even and match those of the drawer.

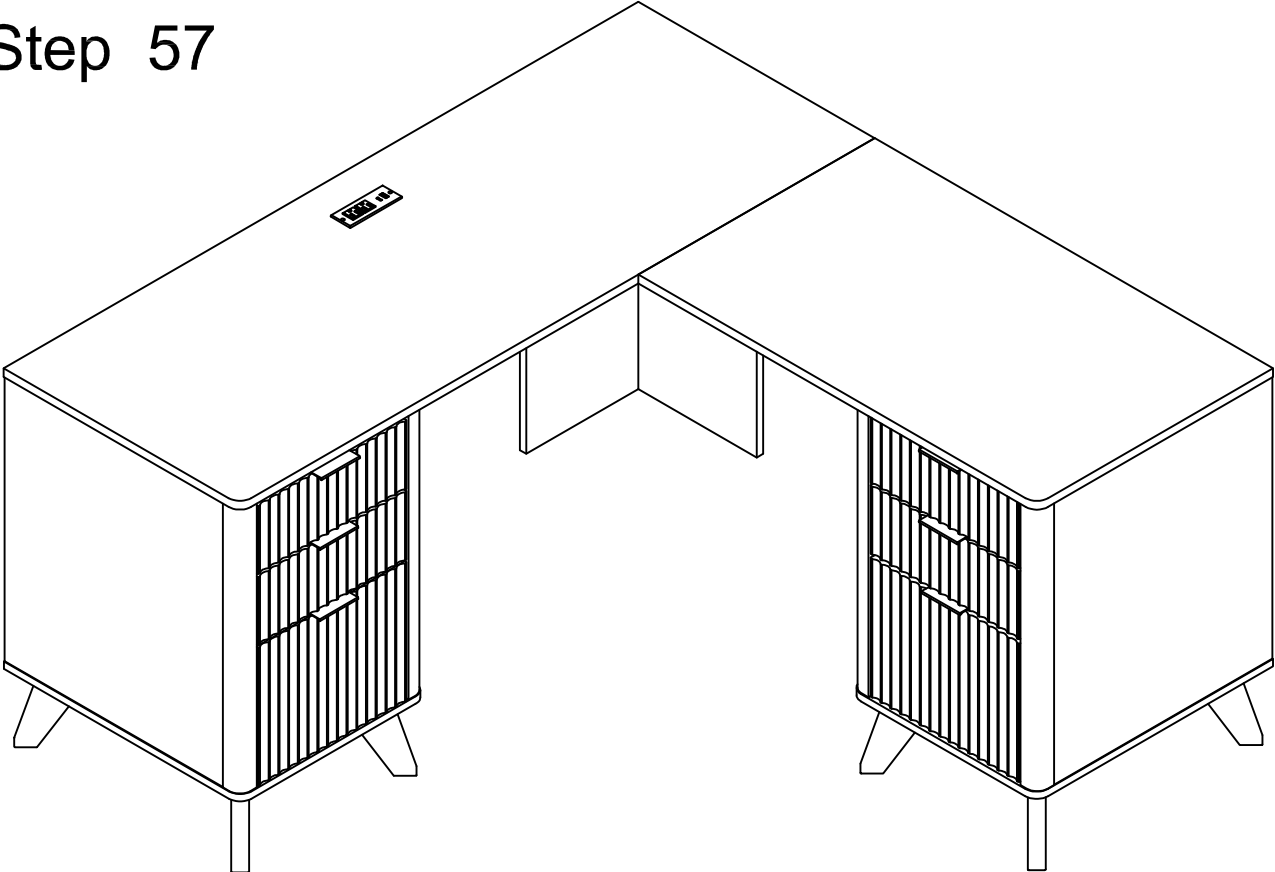
Step 55



Step 56

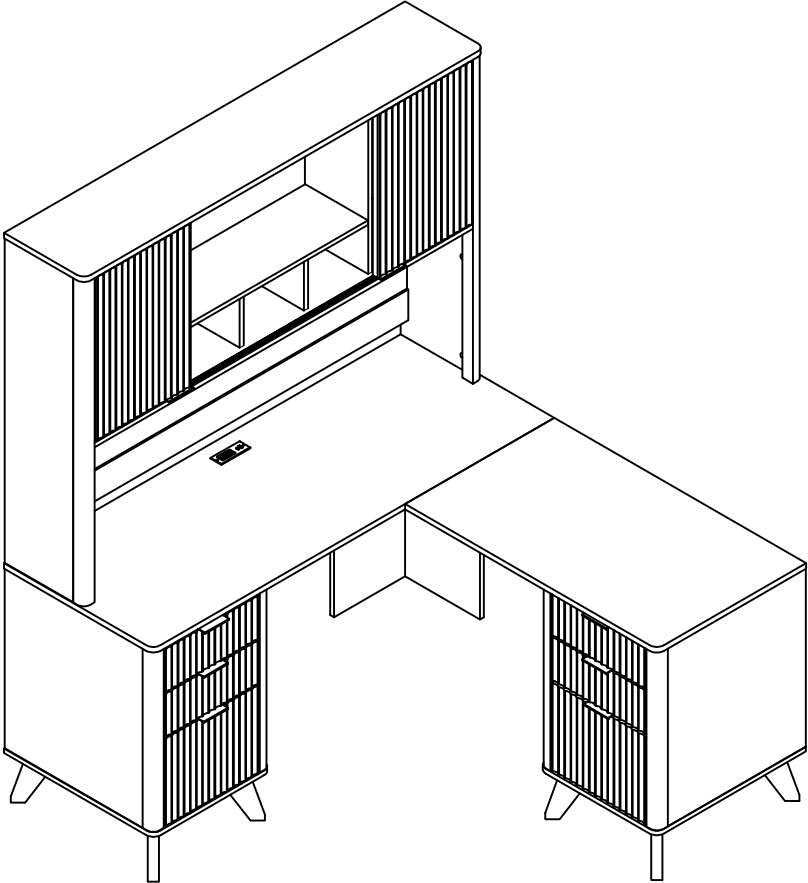


Step 57



Final Assembly

Step 58



Matching hutch is available online