

## SPECIFICATIONS

### LINEAR

Single Post Tissue Holder w/ Glass Shelf



PICTURED: **A6465L**

#### FEATURES

Contemporary styling  
Multiple finishes

#### WARRANTY

Limited lifetime

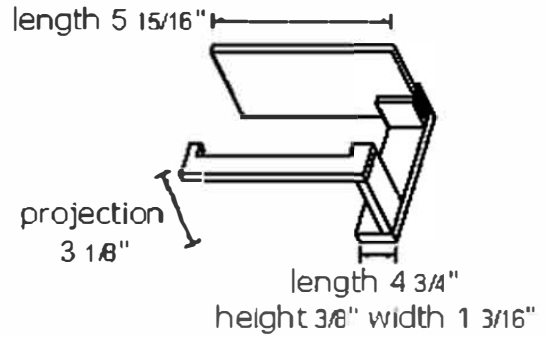
#### FINISHES

Matte Black (MB)  
Polished Brass (PB)  
Polished Brass/Non-lacquered (PB/NL)  
Polished Chrome (PC)  
Polished Nickel (PN)  
Satin Brass (SB)  
Satin Nickel (SN)

#### MATERIAL

Brass

## PRODUCT SHEET



PICTURED: **A6465L**

NOTE: Dimensions and specifications are subject to change without notice.