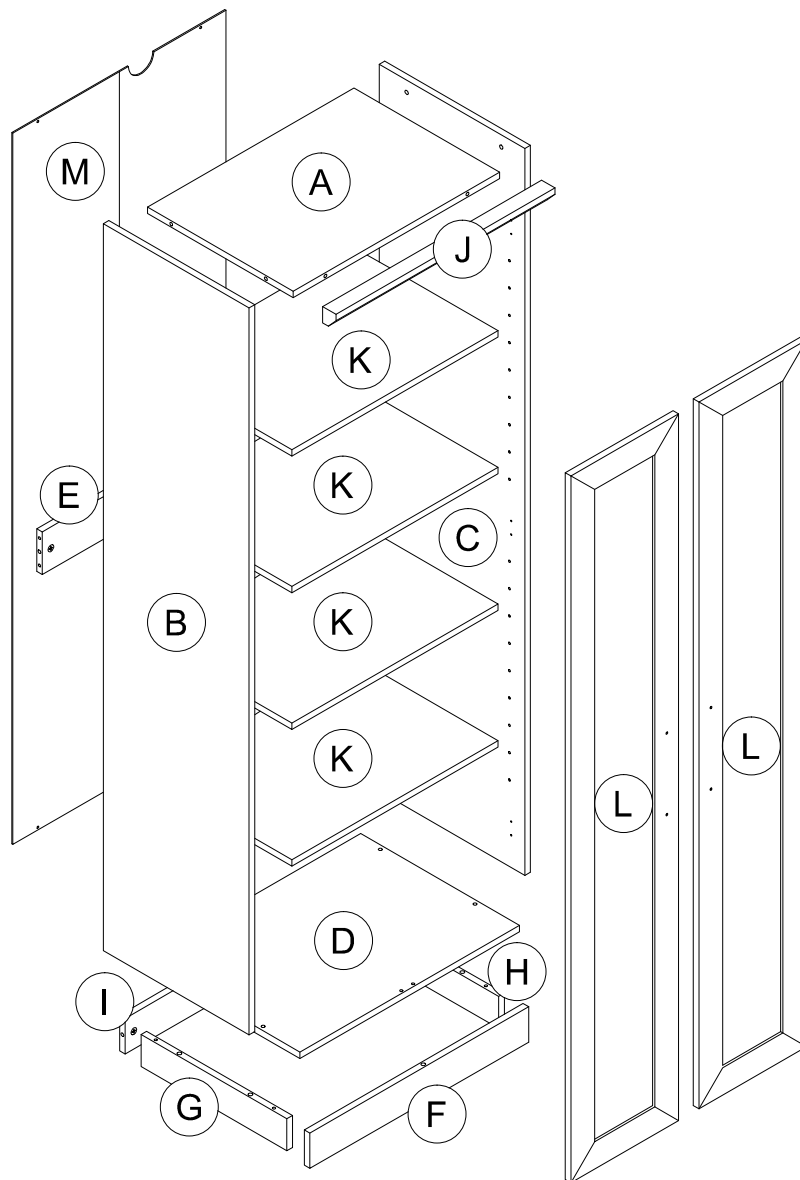


PARTS LIST

A	TOP (1)	F	FRONT LEG (1)	K	SHELF (4)
B	LEFT END (1)	G	LEFT LEG (1)	L	DOOR (2)
C	RIGHT END (1)	H	RIGHT LEG (1)	M	BACK PANEL (1)
D	BOTTOM (1)	I	BACK LEG (1)		
E	BACK SUPPORT (1)	J	TOP MOULDING (1)		

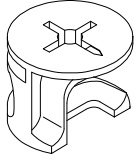


USEFUL HINTS BEFORE YOU START:

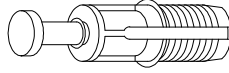
1. Read each step carefully before starting.
2. It is important that each step is performed in correct order to avoid difficulties.
3. Identify, soft and count the parts before assembly.
4. Assemble your furniture on packaging cardboard to prevent scratch or damage.
5. Clean the product with mild cleanser using soft damped cloth. Do not use harsh or abrasive cleanser.
6. Using incompatible hardware might cause damage to product.

HARDWARE LIST

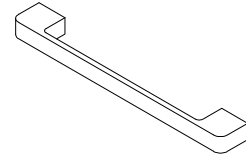
1 HIDDEN CAM
- 18



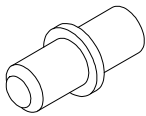
2 CAM DOWEL (BLACK)
- 18



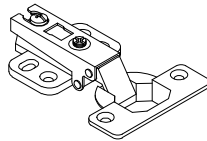
3 HANDLE - 2



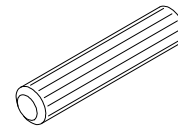
4 METAL PIN - 16



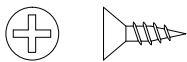
5 HINGE - 6



6 WOOD DOWEL - 8



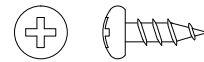
7 1/2" FLAT HEAD
SCREW - 12



8 3/4" MACHINE
SCREW - 4



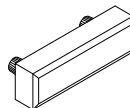
9 #8x1/2" PH TAPPING
SCREW - 4



10 ADJUSTABLE LEG - 4



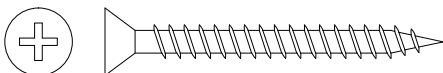
11 STOPPER - 2



12 NAIL - 30



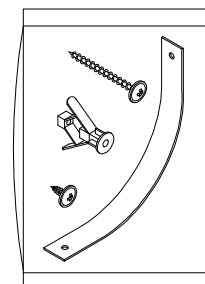
13 1-3/4" FLAT HEAD
SCREW - 4



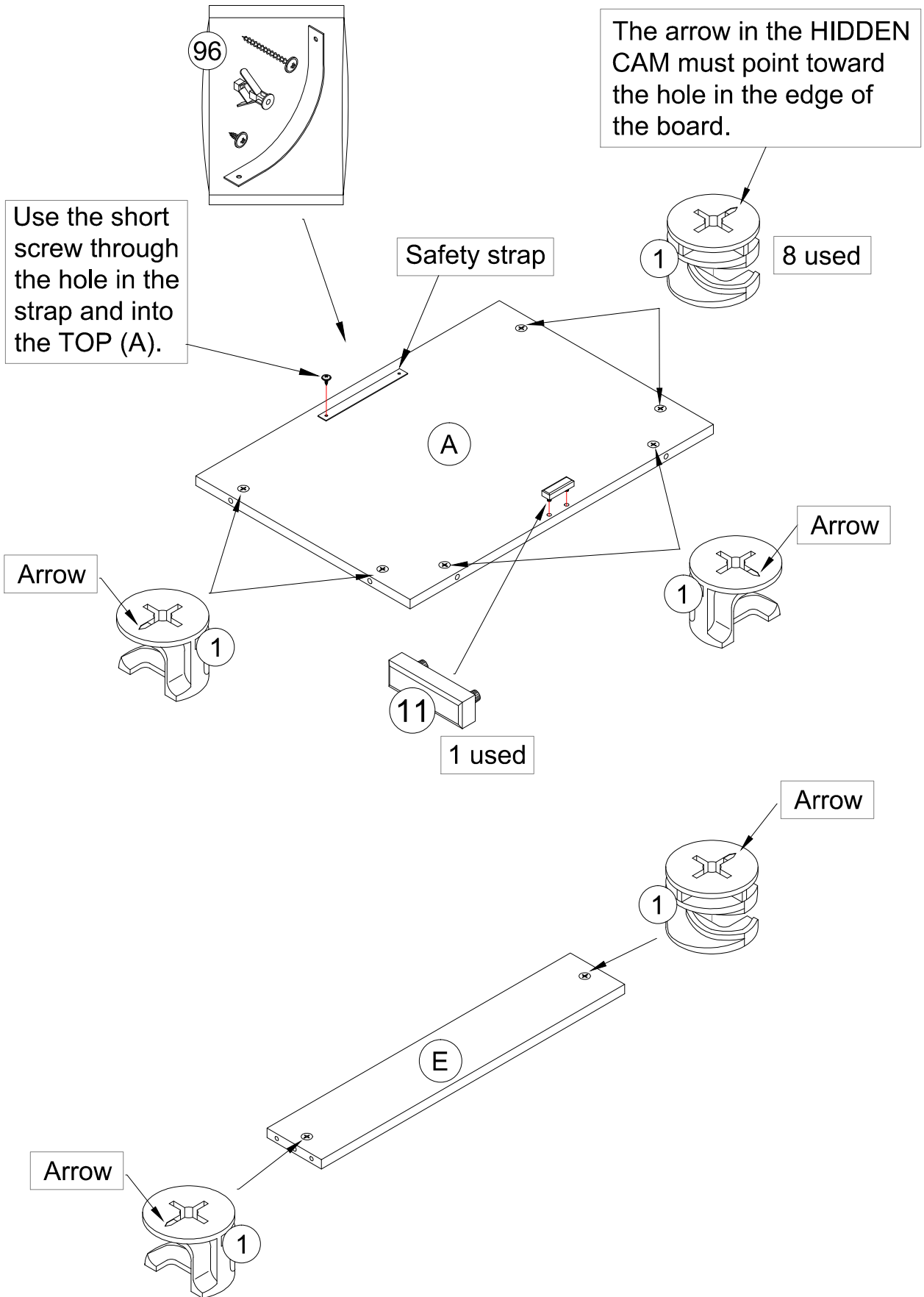
14 M6.3 x 10MM ZB
EURO SCREW - 12



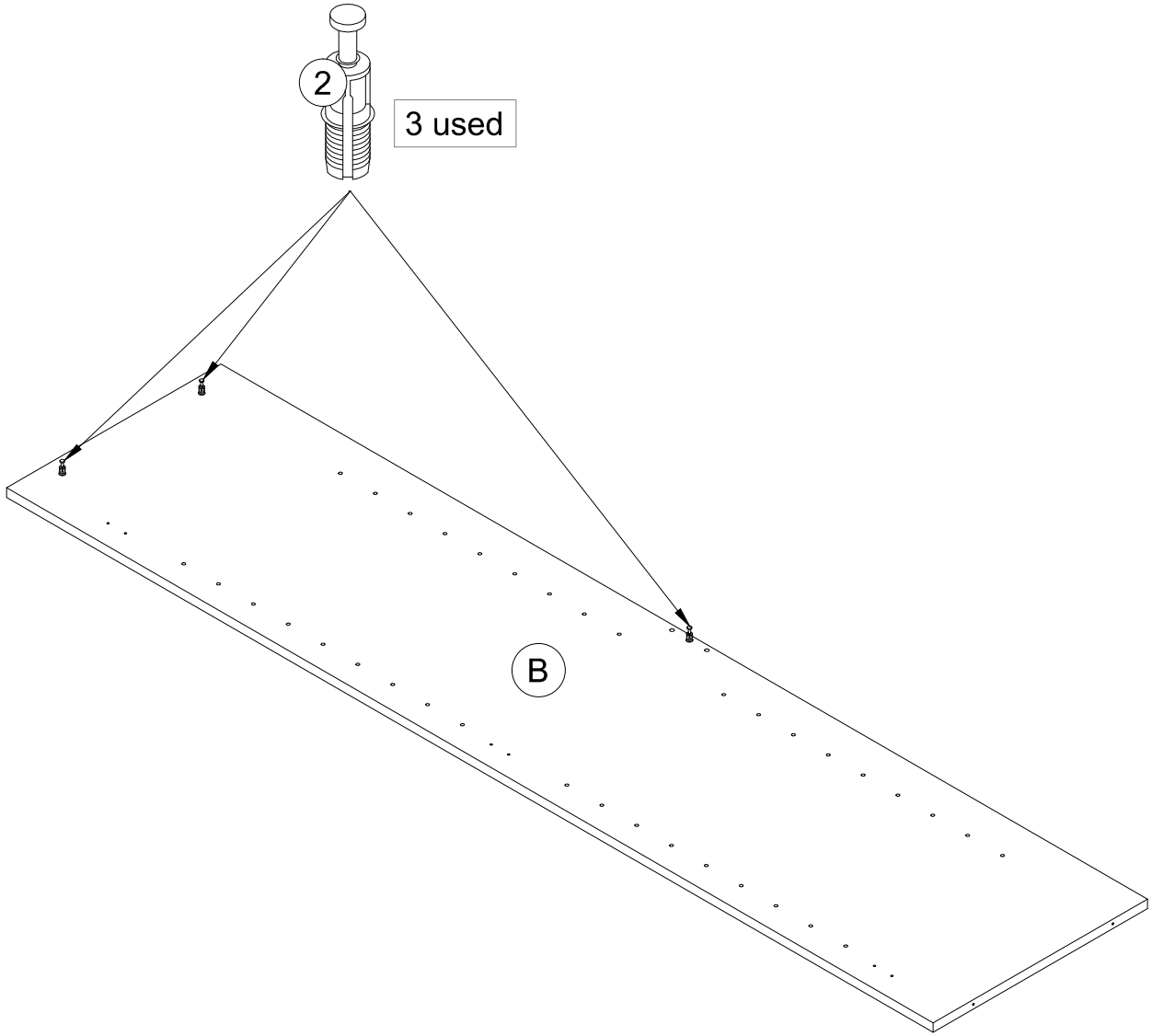
96 FURNITURE TIPPING
RESTRAINT KIT - 1



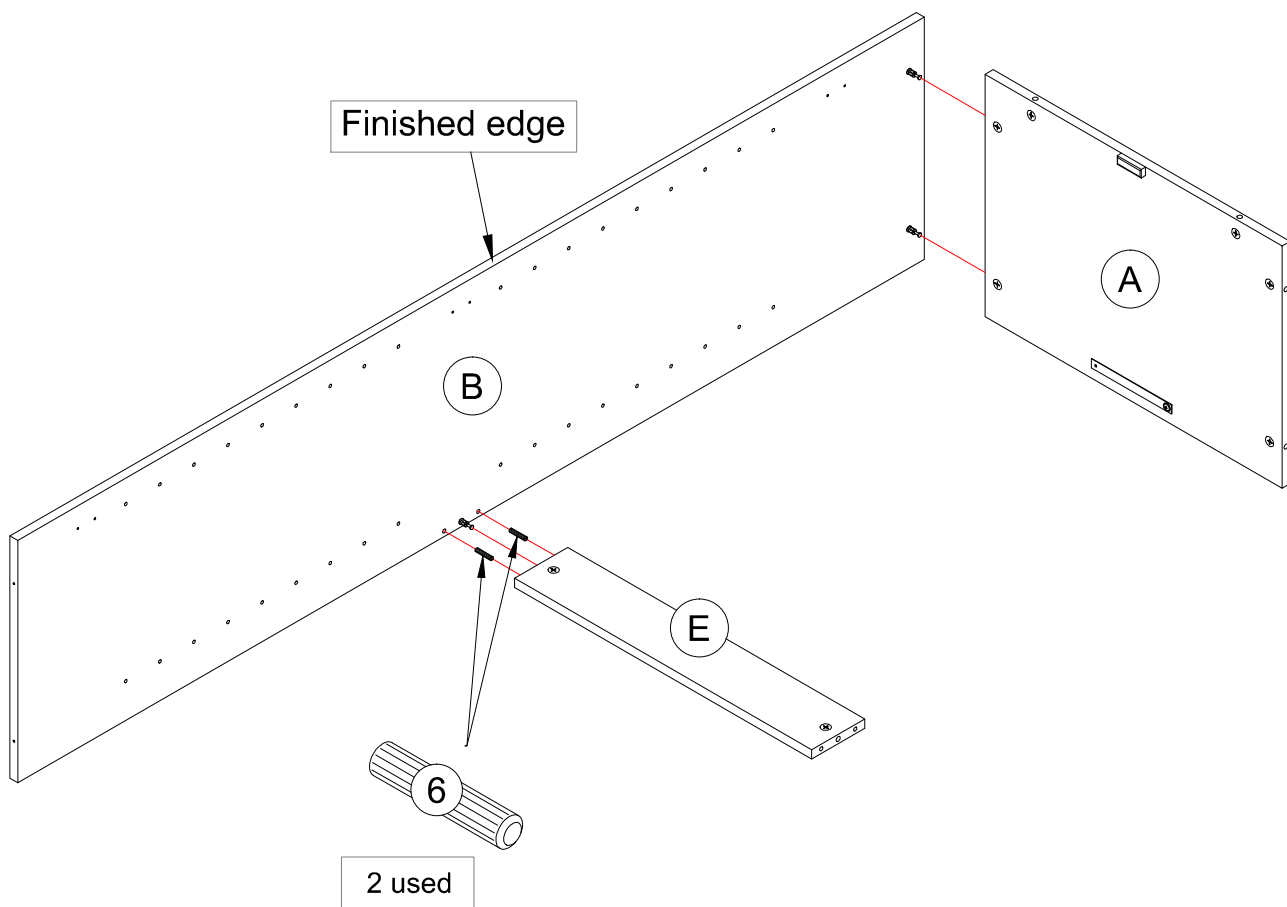
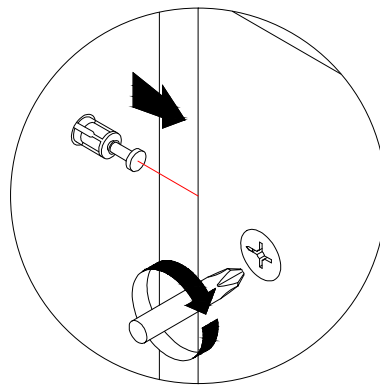
Step 1



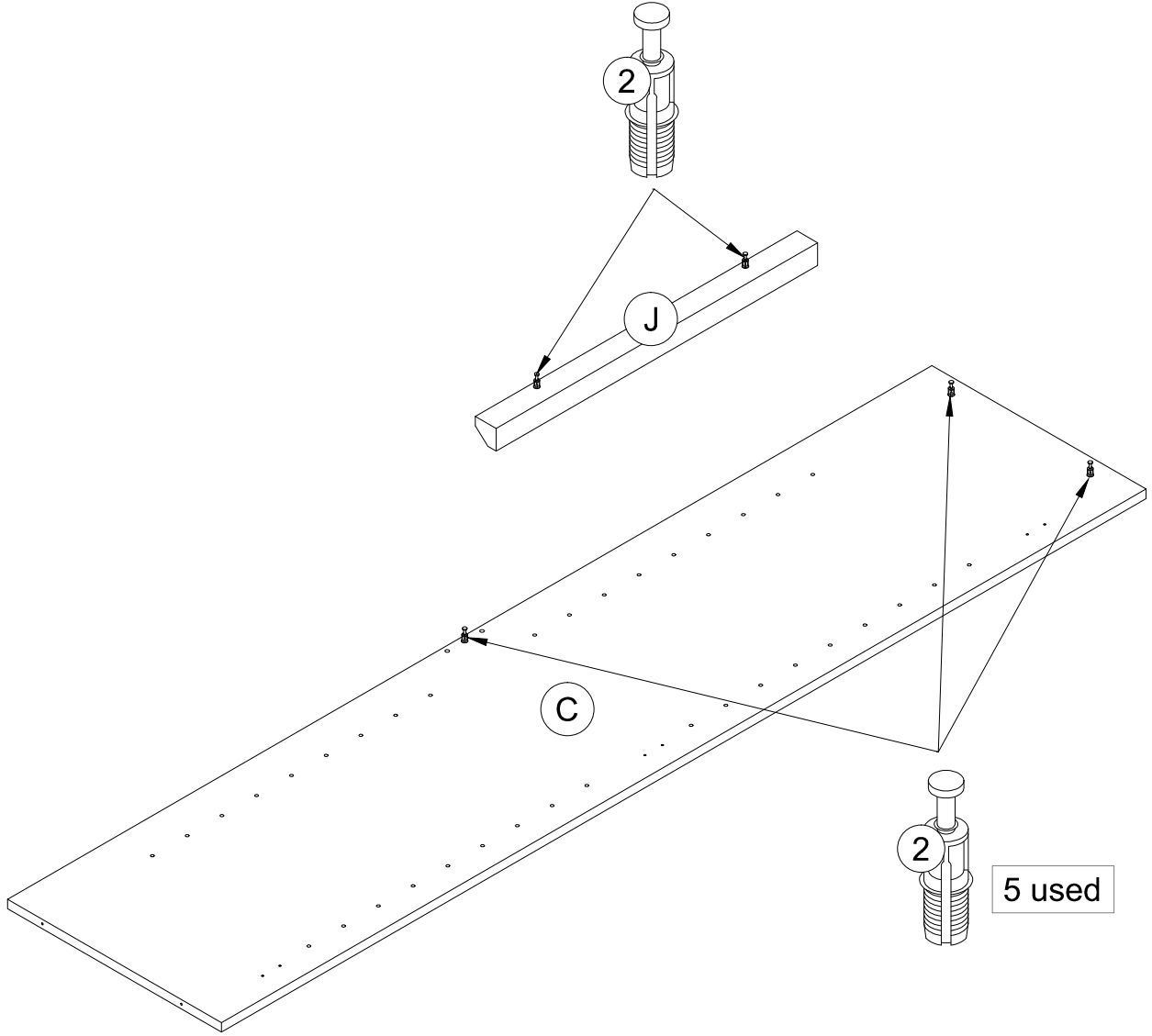
Step 2



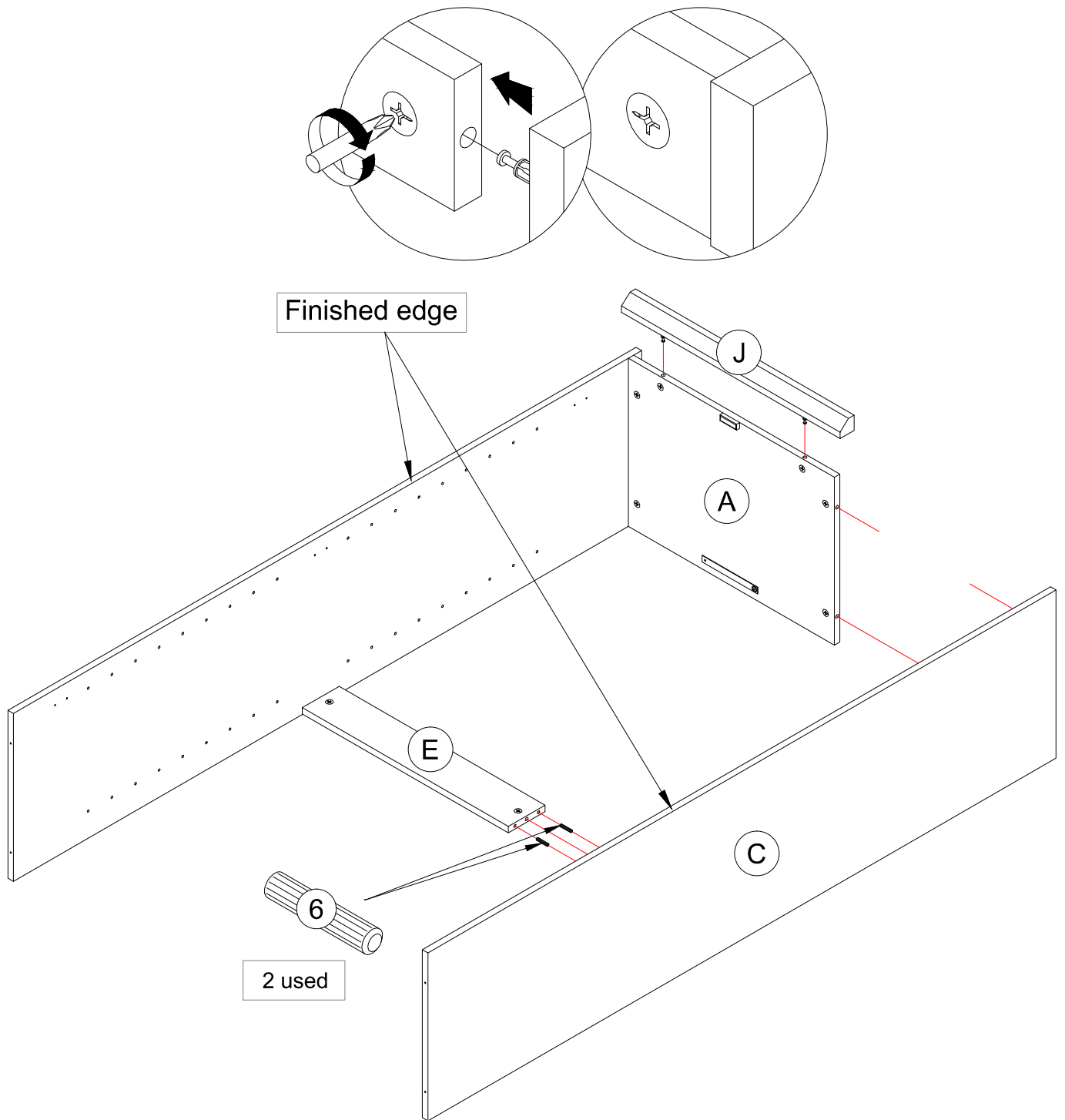
Step 3



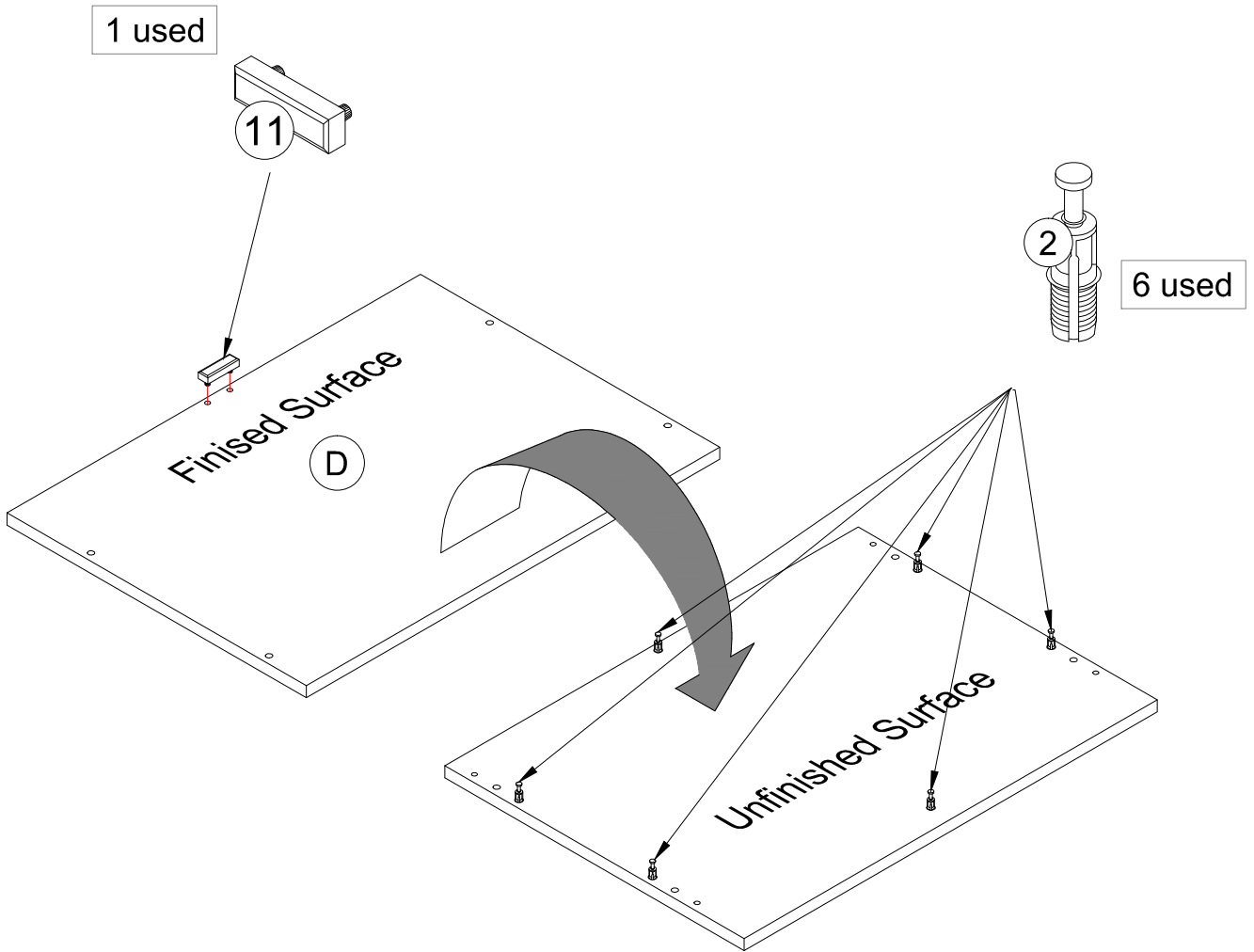
Step 4



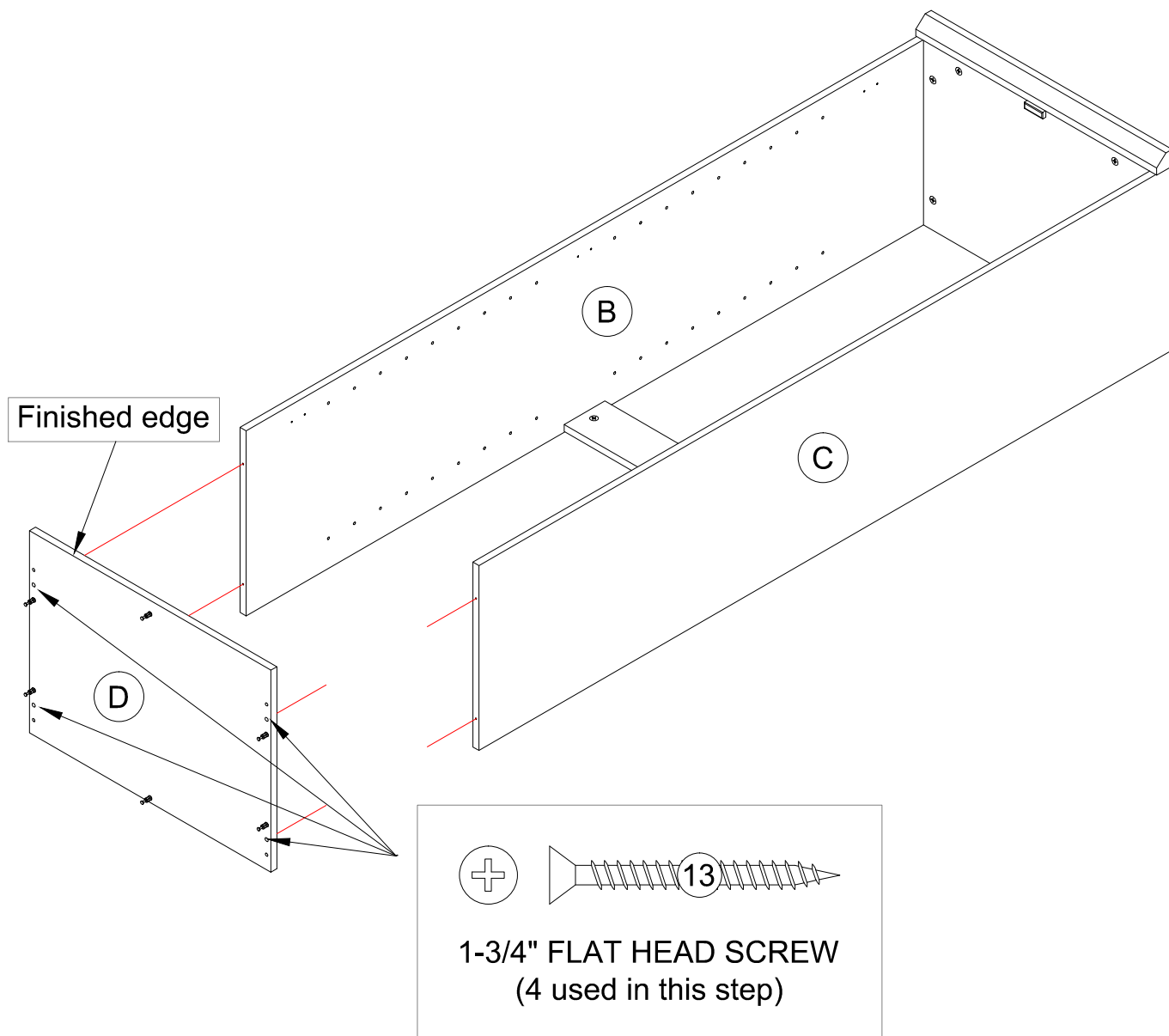
Step 5



Step 6

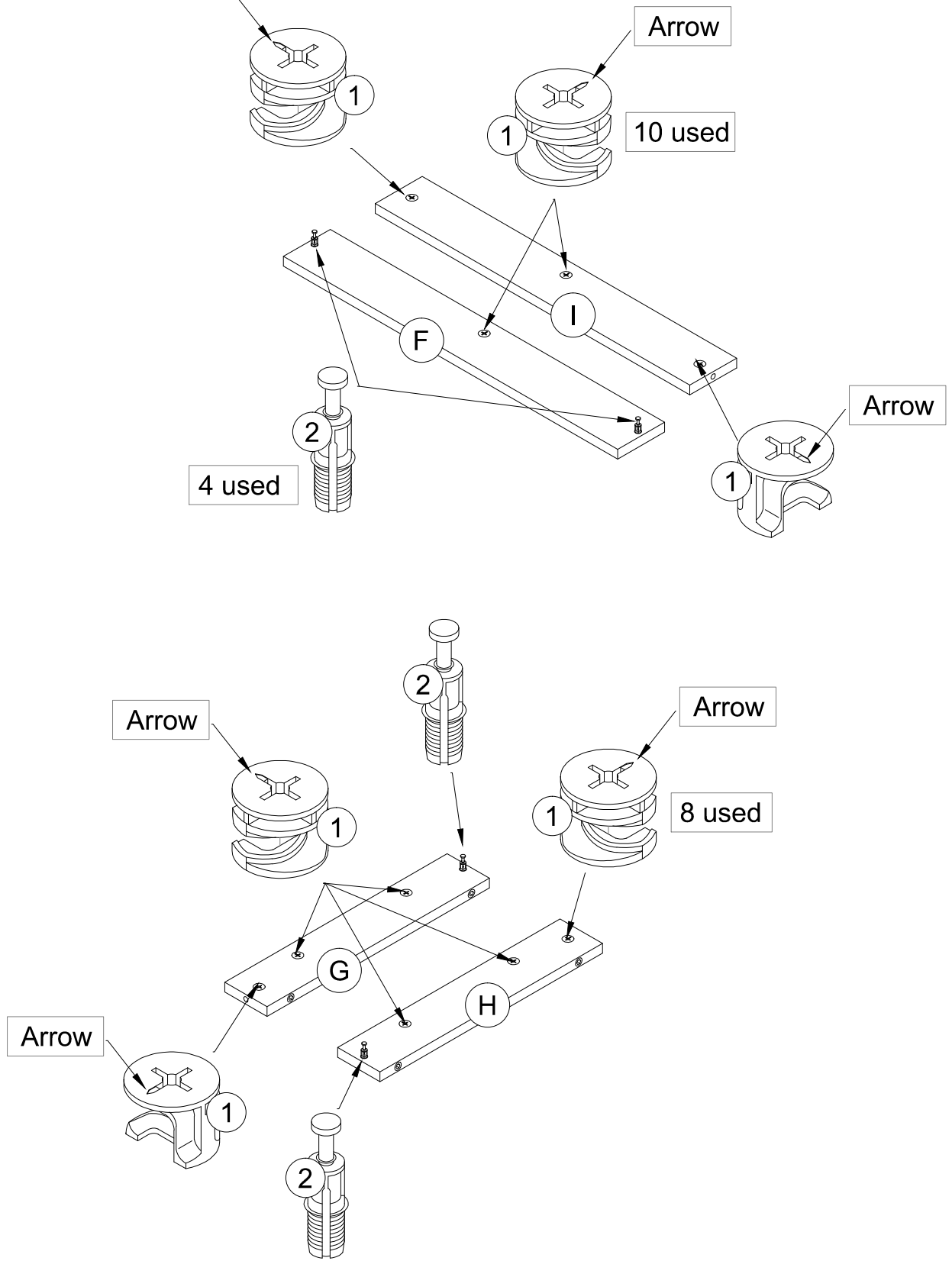


Step 7

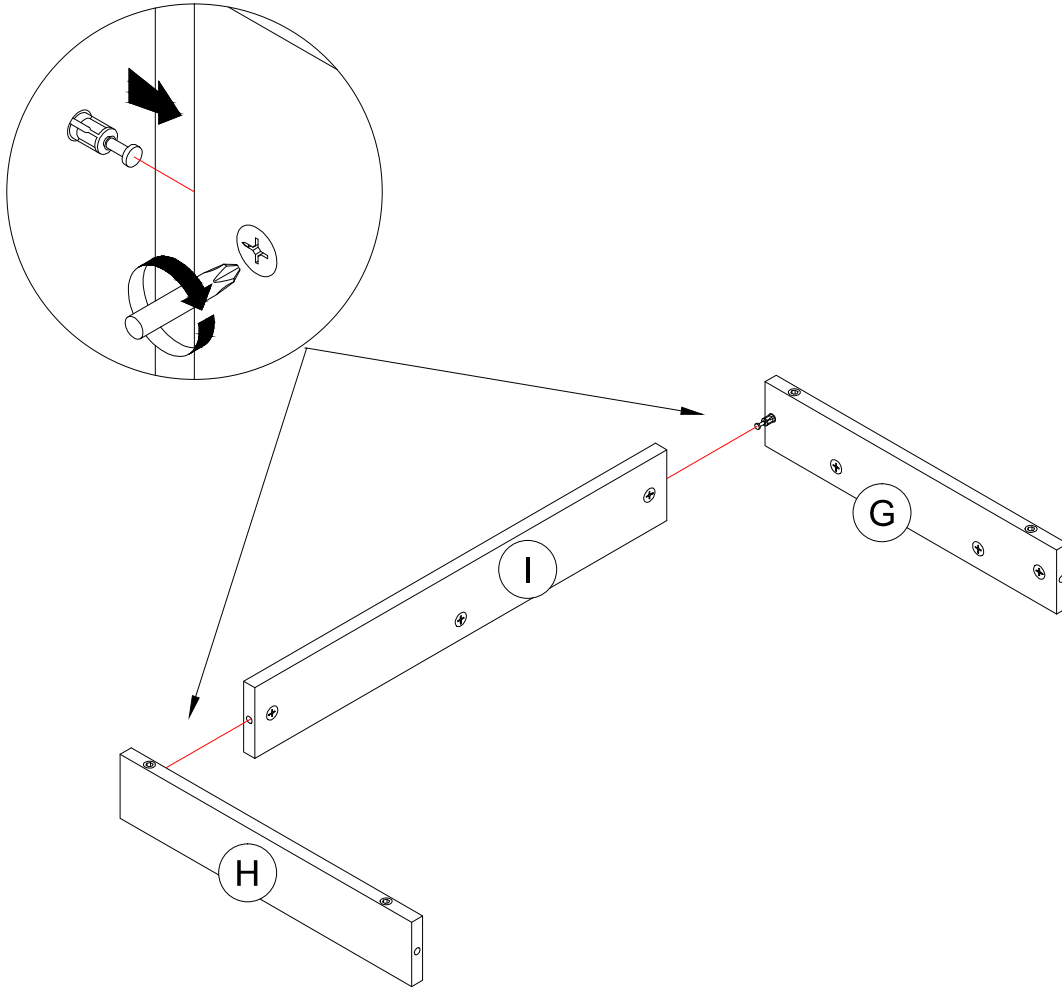


Step 8

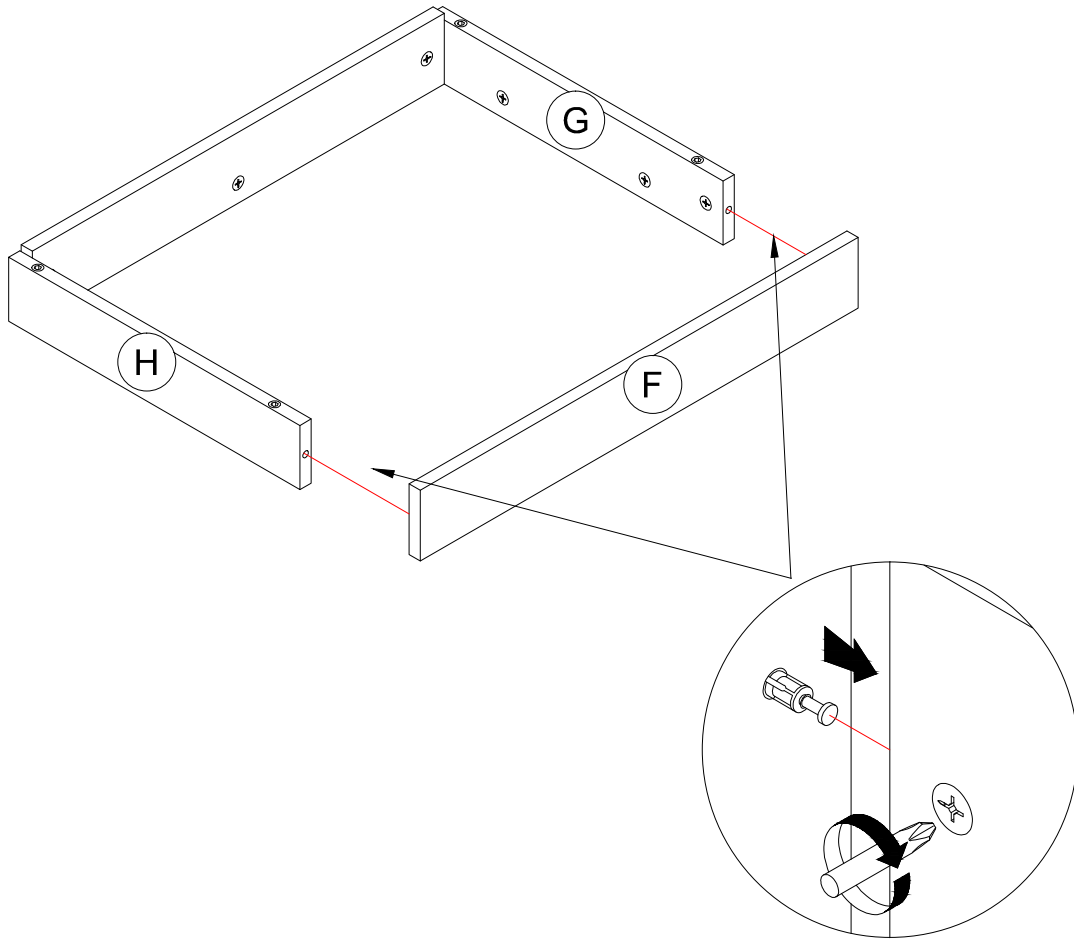
The arrow in the HIDDEN CAM must point toward the hole in the edge of the board.



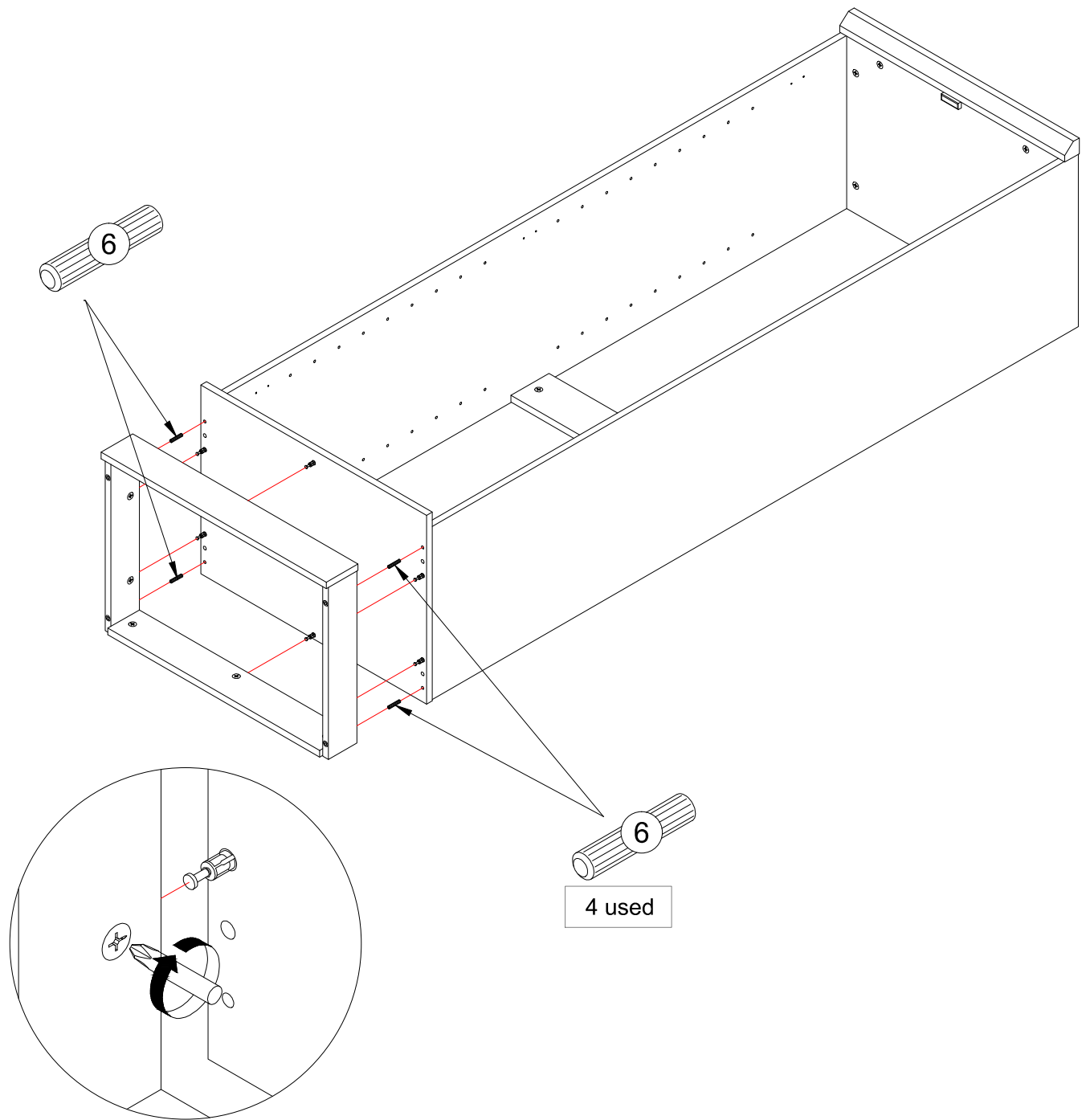
Step 9



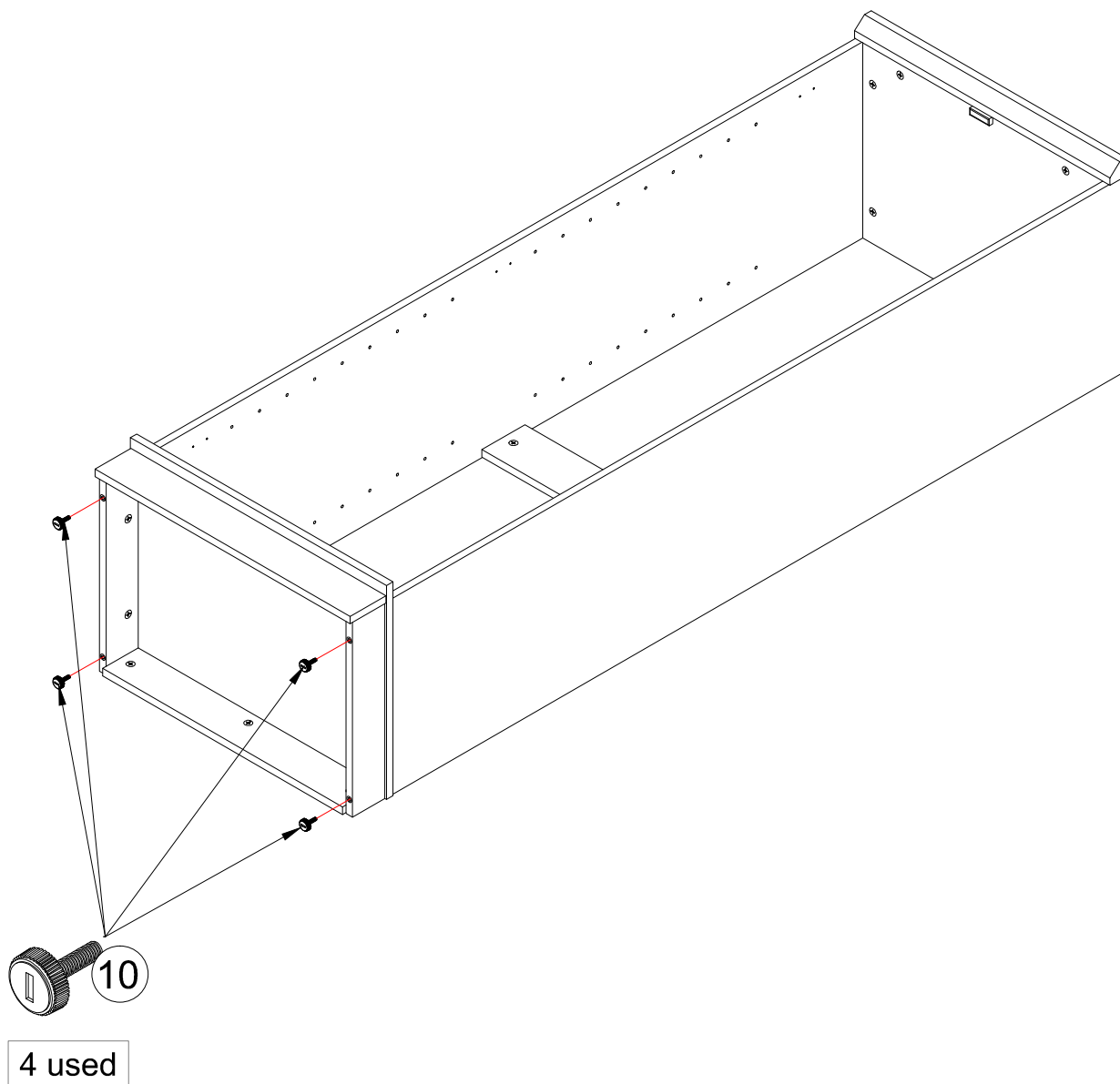
Step 10



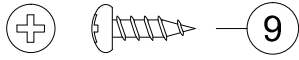
Step 11



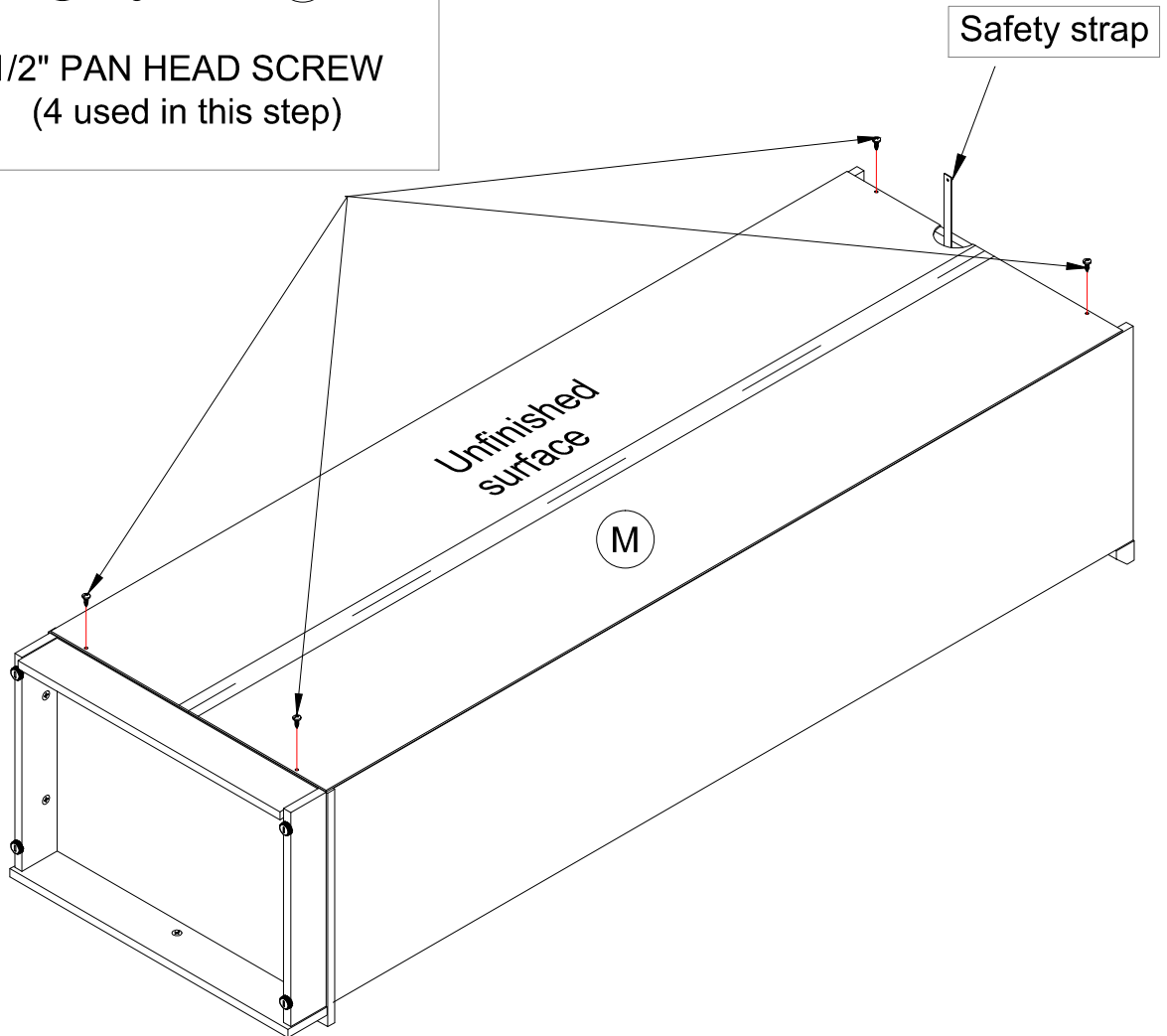
Step 12



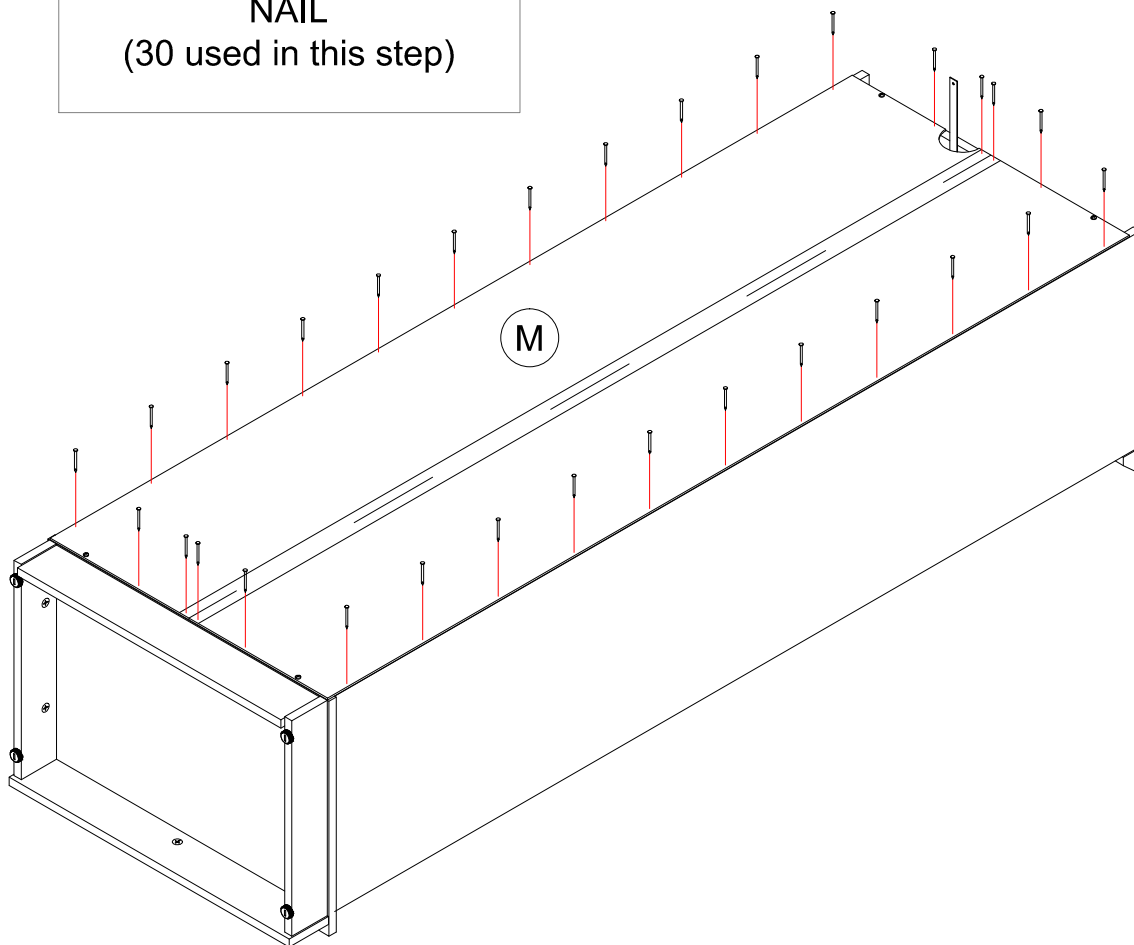
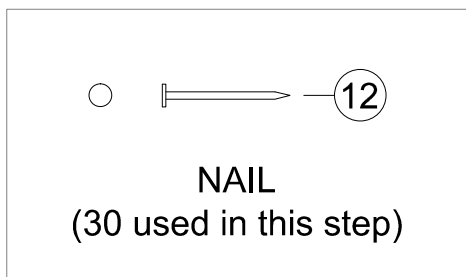
Step 13



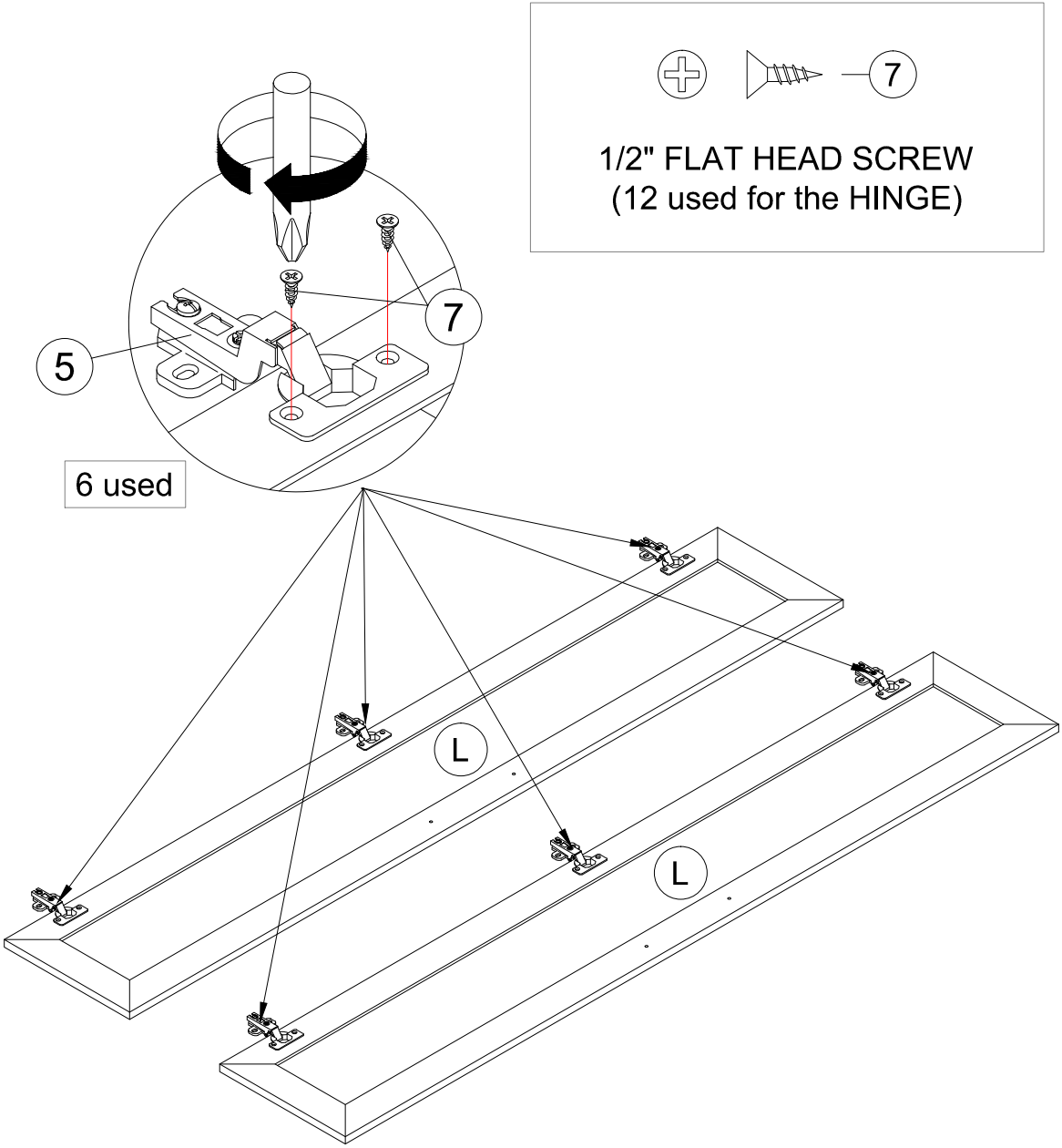
1/2" PAN HEAD SCREW
(4 used in this step)



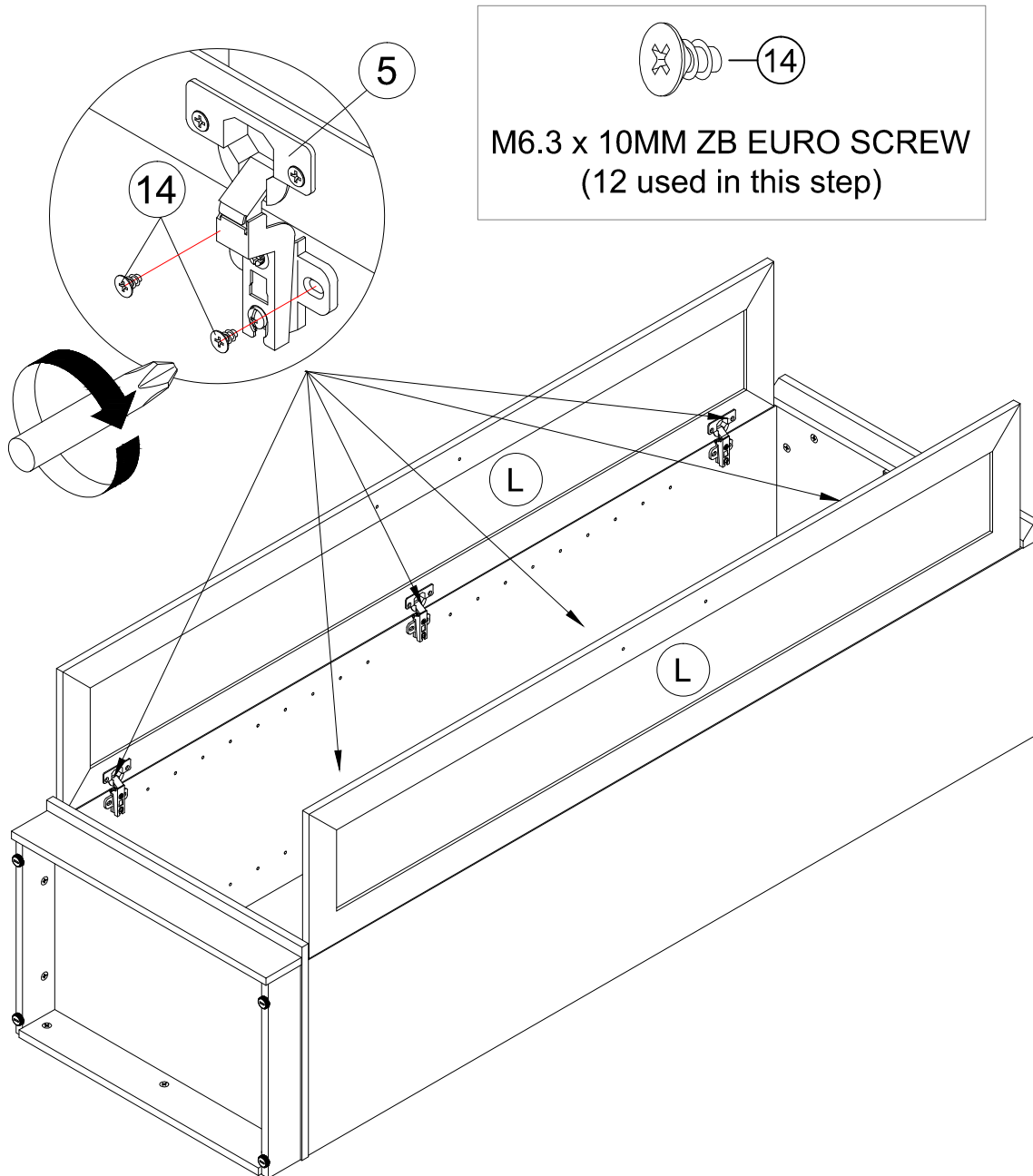
Step 14



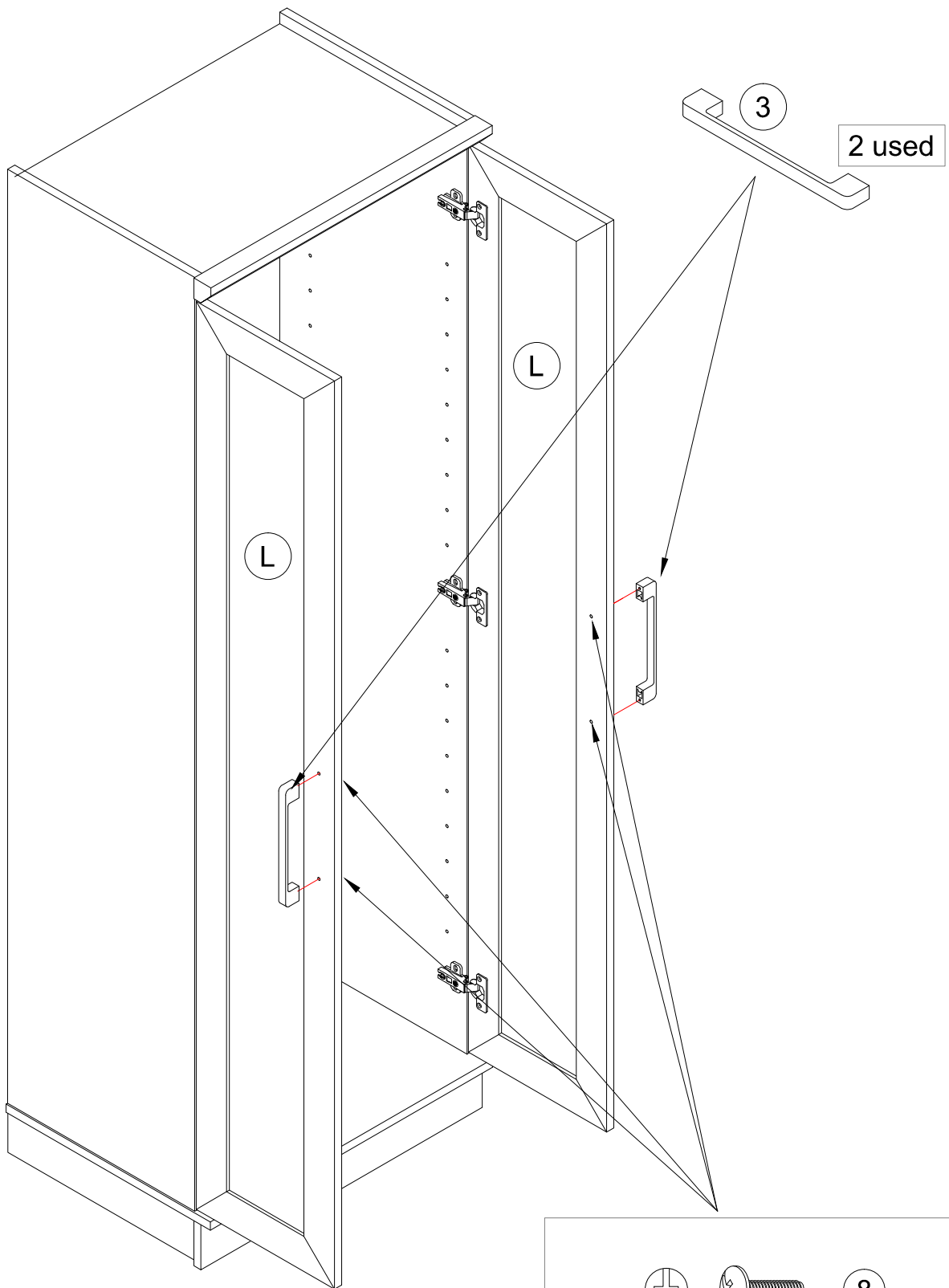
Step 15


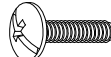


Step 16



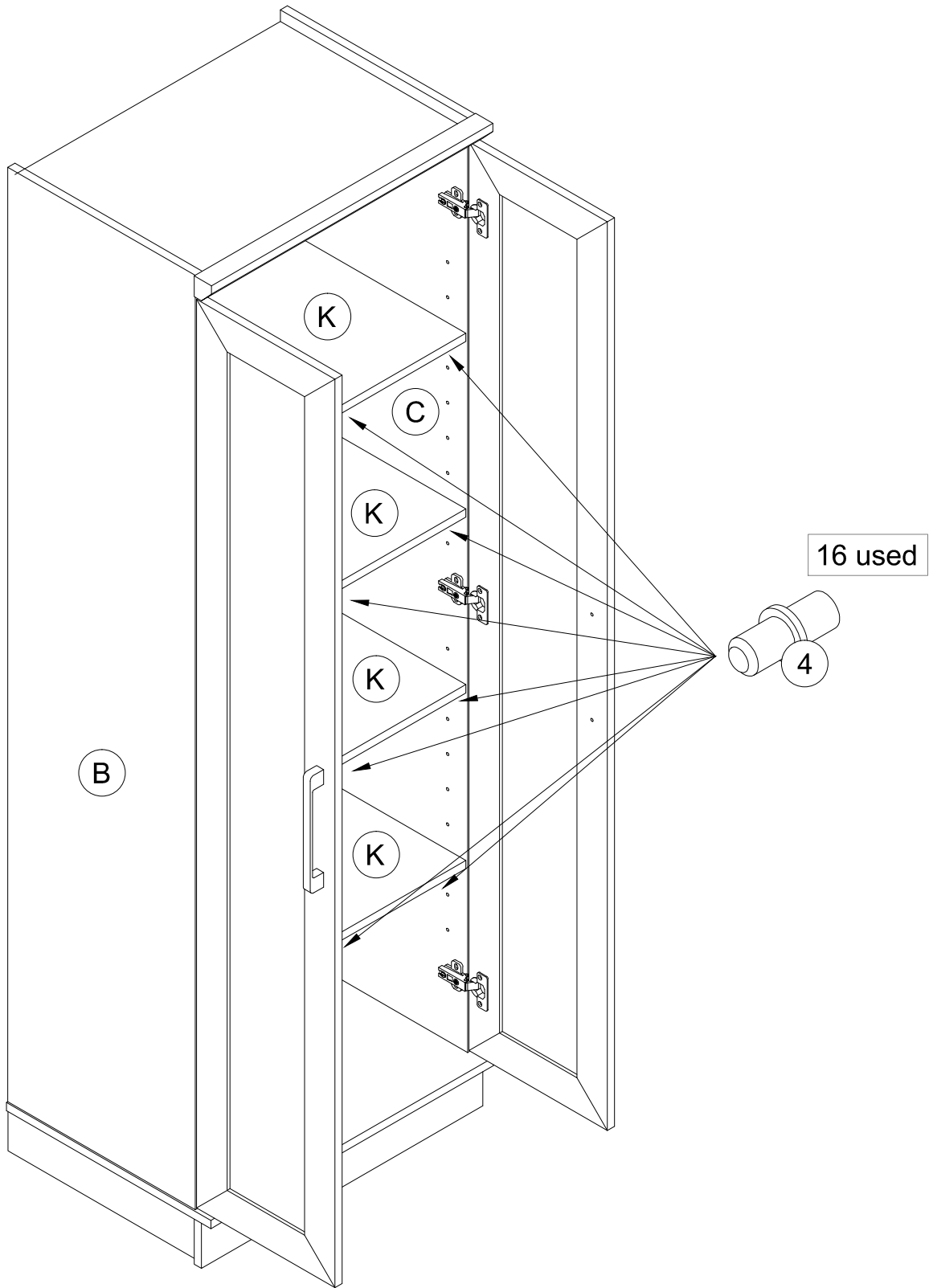
Step 17



  — 8

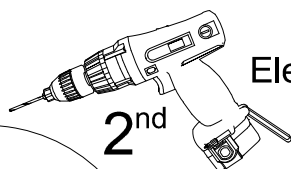
3/4" MACHINE SCREW
(4 used for the HANDLE)

Step 18

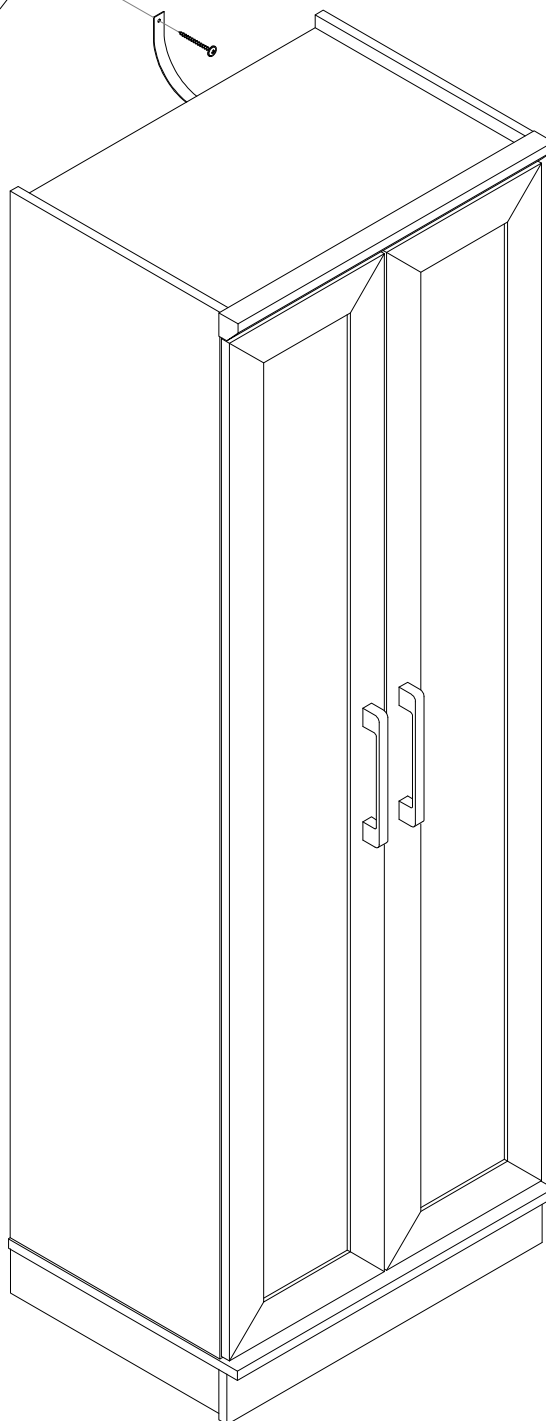
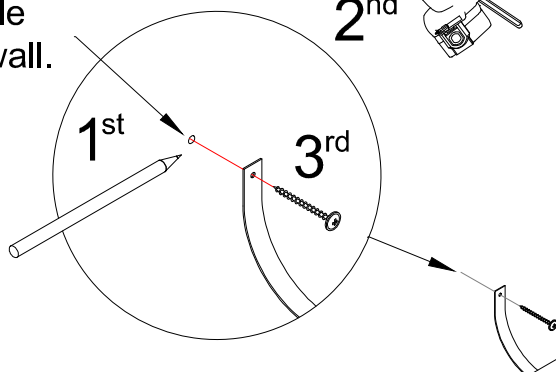


Step 19

Mark and drill
a 3/8" hole
into the wall.

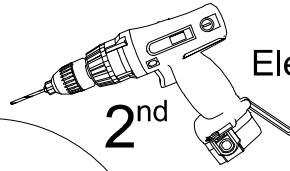


Electric drill with 3/8" bit

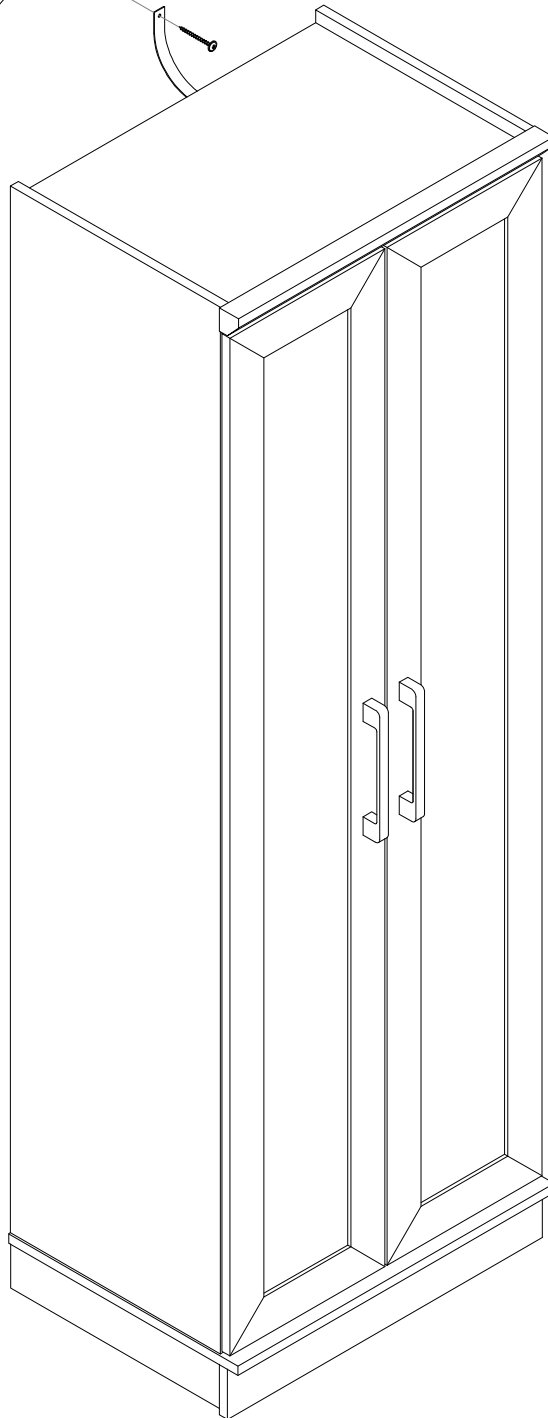
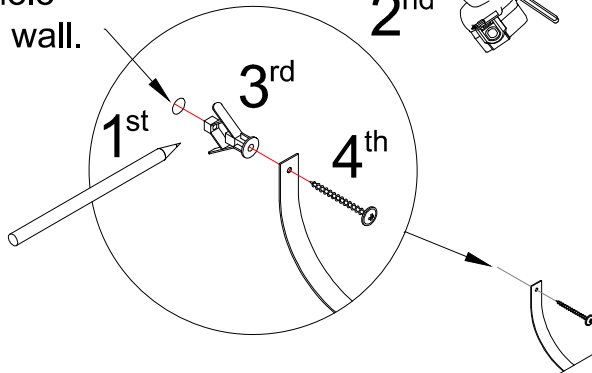


Step 20

Mark and drill a 3/8" hole into the wall.



Electric drill with 3/8" bit



Step 21

