










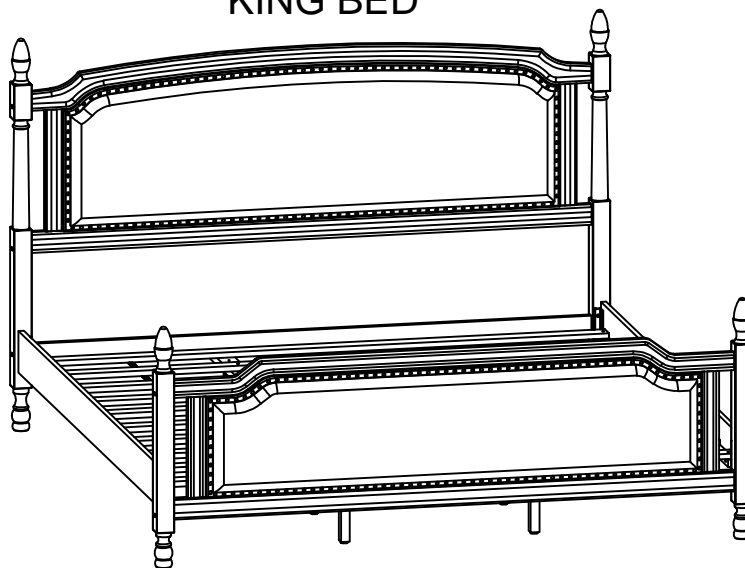


ASSEMBLY INSTRUCTIONS  
SKU CODE : N761P427902

## Care & Maintenance

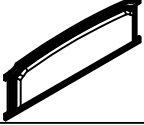
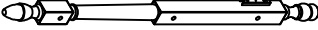


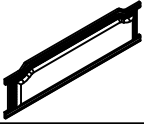
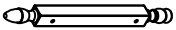
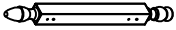

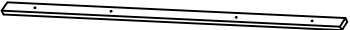

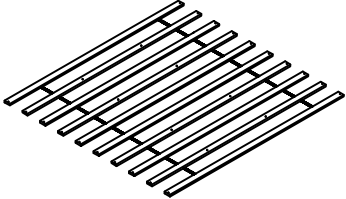
- ✓  • Furniture may scratch floors. We recommend using furniture pads to protect your floors.
  - ⊘  • Do not put hot items directly on furniture surface.
  - ⊘  • Do not clean furniture with harsh cleansers or polish.
  - ⊘  • Do not place furniture under direct sunlight.
  - ⊘  • Do not place furniture near heating or cooling vents.
  - ⊘  • Do not write on furniture without a padded barrier to protect the surface.
  - ⊘  • Do not place furniture outside. For indoor use only.
  - ⊘  • Not for commercial use. For residential use only.
  - ⊘  • Stains may be removed with mild soap solution and damp cloth.
  - ⊘  • Children should not climb or jump on the furniture.
- ✓  • Dust and pick-up spills using a clean, non-colored lint-free cloth.

KING BED



This set included 1 boxes if don't receive full 1 boxes please contact our customer service team

PART LIST FOR 1 BED - N761P427902

Label	Picture	Description	Q.ty
A		Headboard	1
B		Headboard Left Leg	1
C		Headboard Right Leg	1
D		Headboard bar	1
E		Footboard	1
F		Footboard Left Leg	1
G		Footboard Right Leg	1
H		Side Rails	2
I		Center bar	2
J		Center Legs	8
KL		Slats	1

Assembly Tools Required ( Not Included )



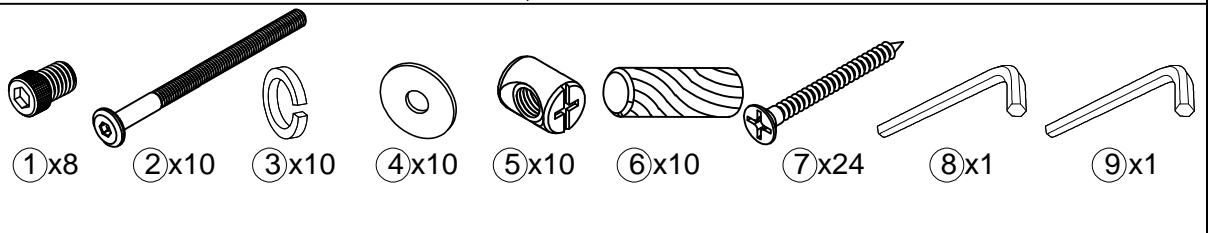
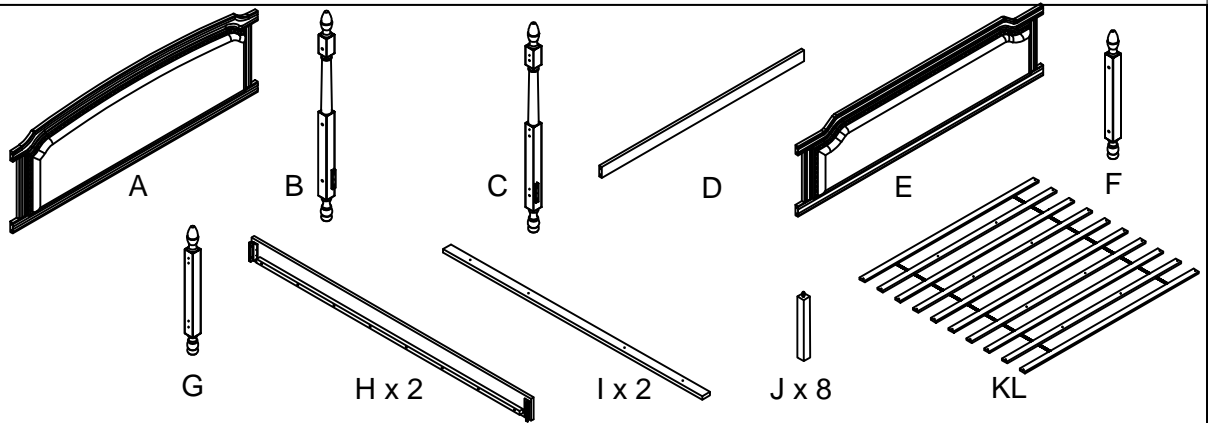
## HARDWARE LIST FOR 1 BED - N761P427902

Label	Picture	Description	Q.ty
1		Bolt M6 x 15mm	9
2		Bolt M6 x 90mm	11
3		Lock washer 6x8	11
4		Flat washer 6x15	11
5		Cross Dowels 10x13mm	11
6		Wood Dowel Ø10 x 30mm	11
7		Wood Screws M4 x 30mm	29
8		Allen Key M4	1
9		Allen Key M5	1

PLEASE BE CAREFUL DO NOT DAMAGE THE HOLE POSITION WHEN YOU USE POWER TOOLS !

# Assembly Preparation

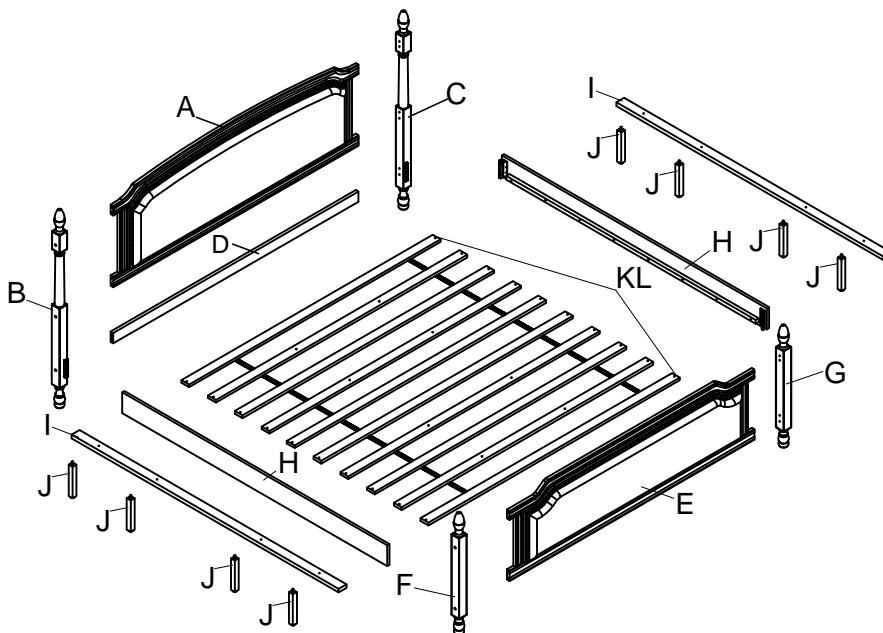
Before Beginning Assembly



- Read instructions, cover to cover.
- Have 2 adults on hand for assembly.
- Do not assemble on flooring or carpet.
- Assemble on a clean non-marring surface (packing foam).
- Save all packaging until finished.

# Assembly Steps

Over view



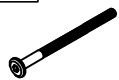




This Bed has multiple parts and may require up to 30 minutes to assemble. To give you overview of the Bed parts, the above picture is to help you put the various parts into perspective. Please read through the instructions below to familiarise yourself with the parts and steps before assembly.

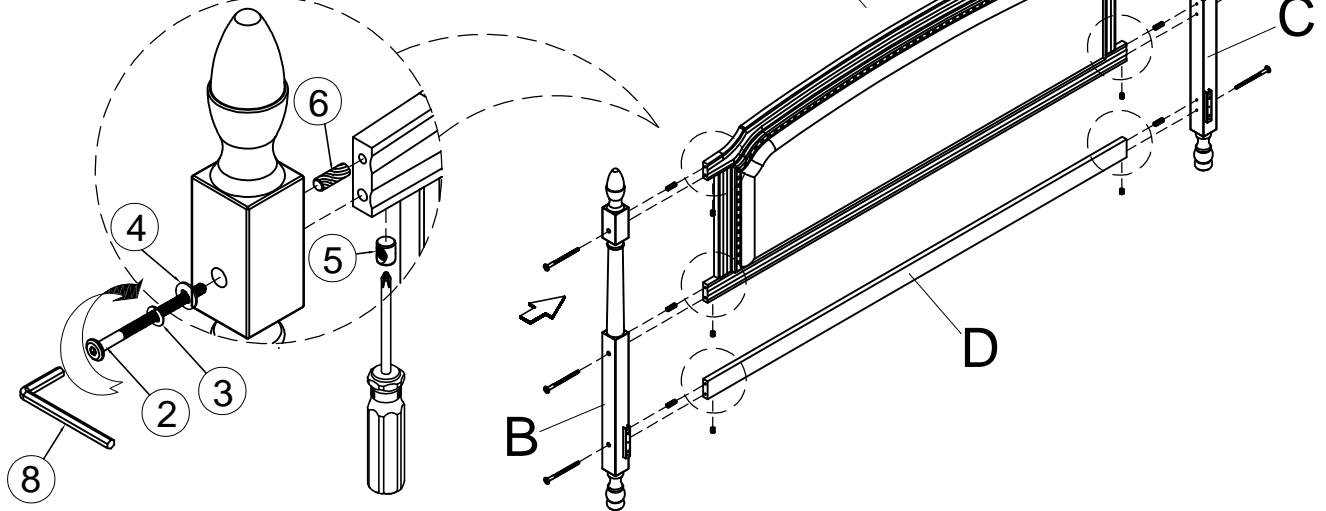
**STEP 1 :**

- Attach the Headboard ( A ), Headboard bar ( D ) to the Headboard Leg ( B & C ) using Bolt ( 2 ), Spring washer ( 3 ), Flat washer ( 4 ), Cross Dowels ( 5 ) and Wood Dowel ( 6 ) .

Tighten with Allen key ( 10 ) as show in Figure, Don't tight Bolt ( 2 ) fully.

- When Headboard ( A ), Headboard bar ( D ) and Headboard Legs ( B & C ) fixed, please fully tighten all Bolt ( 2 ) .

<b>2</b>	<b>3</b>	<b>4</b>	<b>5</b>	<b>6</b>
				
6(pcs)	6(pcs)	6(pcs)	6(pcs)	6(pcs)








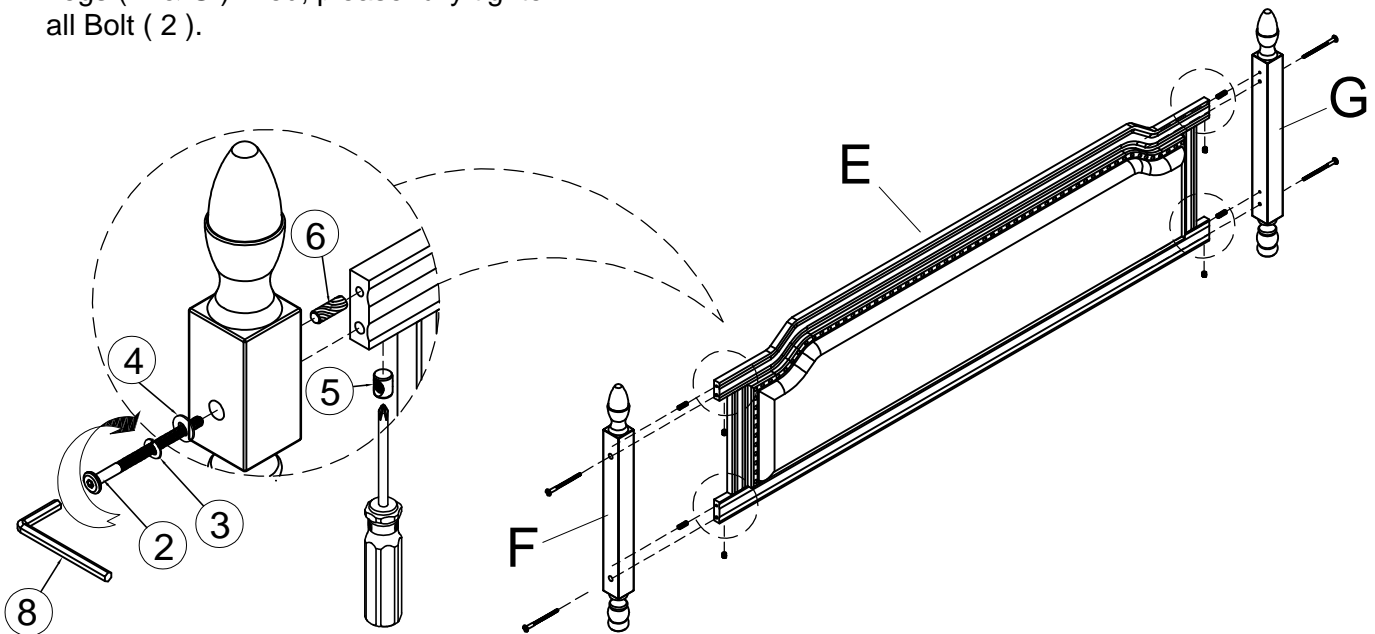
**STEP 2 :**

- Attach the Footboard ( E ) to the Footboard Leg ( B & C ) using Bolt ( 2 ), Spring washer ( 3 ), Flat washer ( 4 ), Cross Dowels ( 5 ) and Wood Dowel ( 6 ) .

Tighten with Allen key ( 10 ) as show in Figure, Don't tight Bolt ( 2 ) fully.

- When Footboard ( E ) and Footboard Legs ( F & G ) fixed, please fully tighten all Bolt ( 2 ) .

<b>2</b>	<b>3</b>	<b>4</b>	<b>5</b>	<b>6</b>
				
4(pcs)	4(pcs)	4(pcs)	4(pcs)	4(pcs)



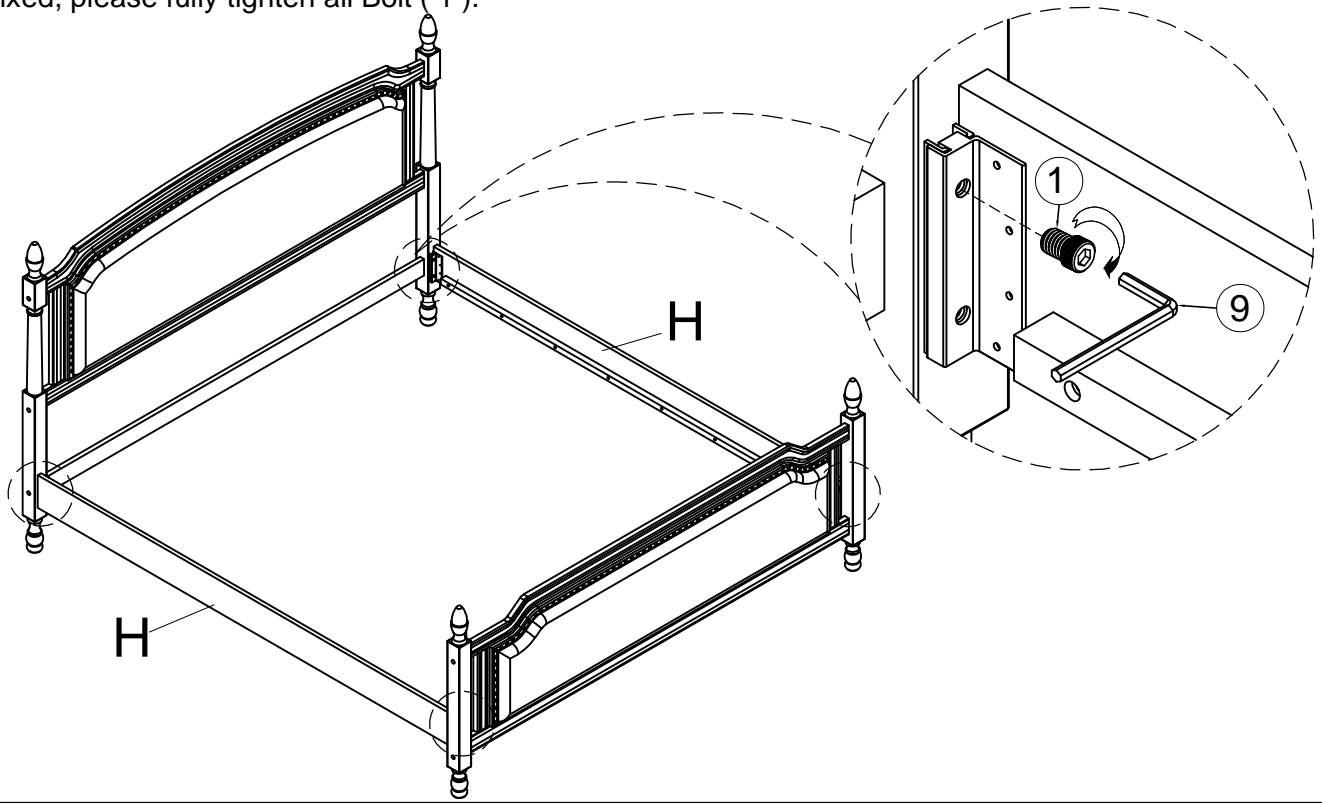
**STEP 3 :**

- Attach the Side Rail ( H ) to the Headboard ( A,B,C & D ) and Footboard ( E,F & G ) using Bolt ( 1 ). Tighten with Allen key ( 9 ) as show in Figure, Don't tight Bolt ( 1 ) fully.
- When Headboard ( A,B,C & D ), Footboard ( E,F & G ) and Side rail ( H ) fixed, please fully tighten all Bolt ( 1 ).

1



8(pcs)



**STEP 4 :**

- Attach the Center Legs ( J ) to the Center bar ( I )

