

ASSEMBLY INSTRUCTIONS

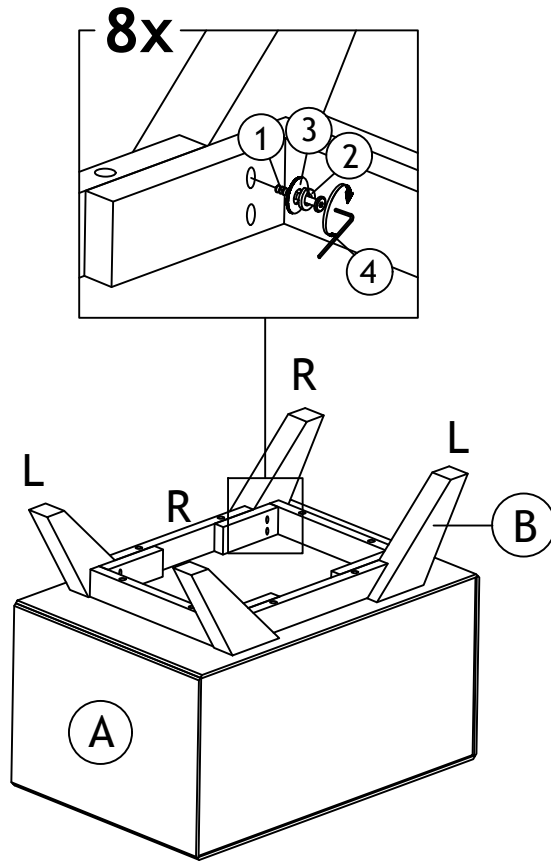
Read this instruction carefully. Refer hardware and furniture parts list for guidance. Be sure all parts are complete, before assembling. Place all wooden furniture part on a clean and flat soft surface to prevent scratches. Refer steps provided as assembling guide.

CAUTIONS :

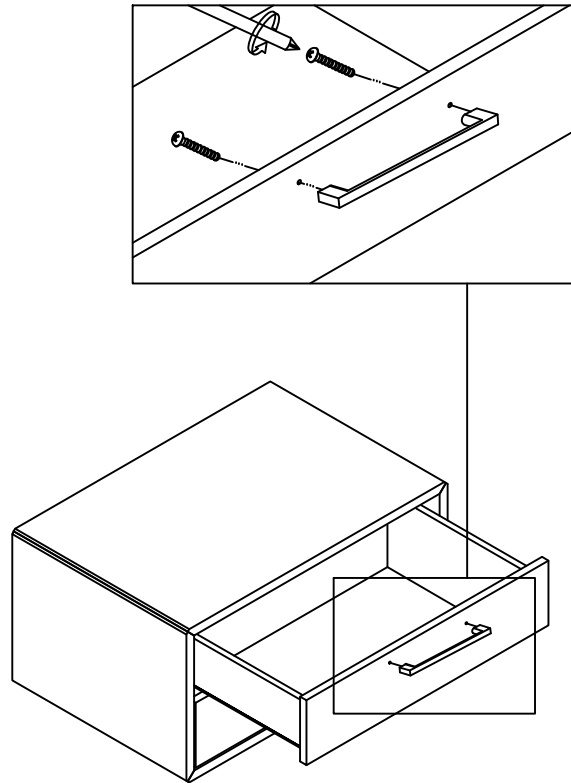
1. Do not FULLY-TIGHTEN the nuts or nut bolts until all are in place.
2. To prevent thread damage. Ensure that nuts or nut bolts are not over-tighten.
3. Hardware are to be kept out of reach from children.

PART LIST			HARDWARE LIST		
ITEM	DESCRIPTION	QTY	ITEM	DESCRIPTION	QTY
A	NIGHT STAND	1 PC	1	JCBC SCREW M6 x 40MM	8 PCS
B	LEG (L&R)	4 PCS	2	SPRING WASHER ¼ "	8 PCS
			3	FLAT WASHER ¼ "	8 PCS
			4	M4 ALLEN KEY (BALL SHAPE)LONG	1 PC

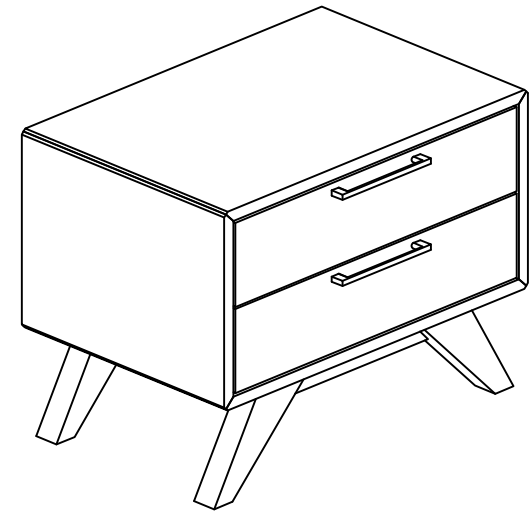
STEP 1



STEP 2



STEP 3



ASSEMBLY COMPLETED