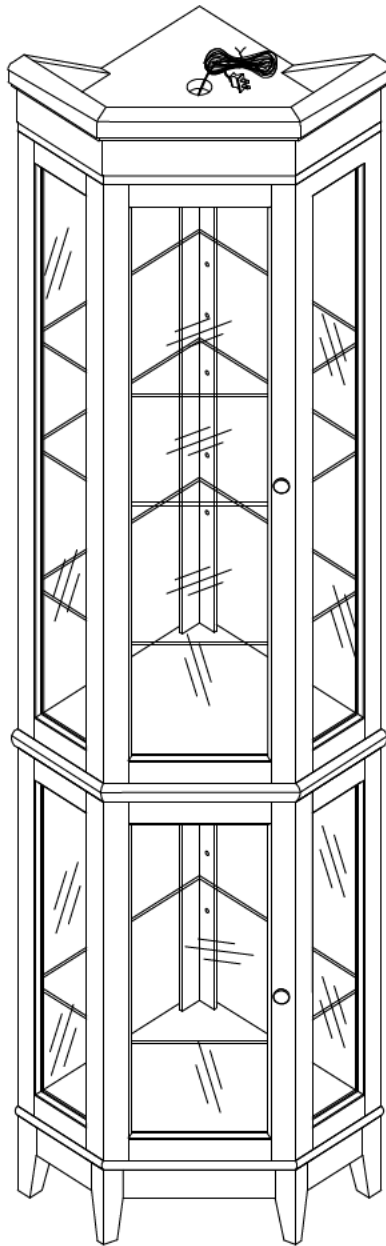


Assembly Instructions

PO#







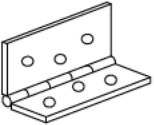


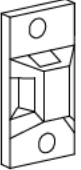

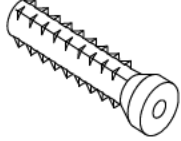
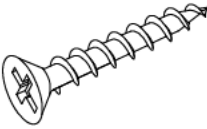
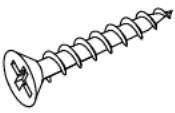
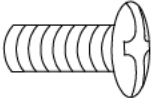
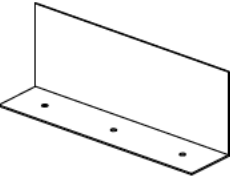
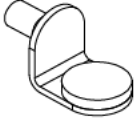
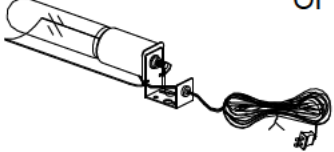
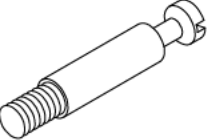
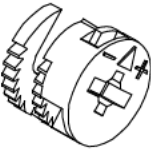







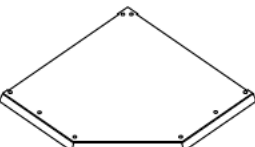
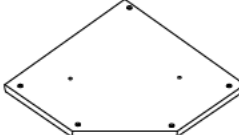



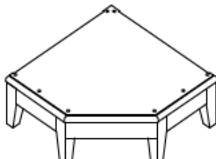


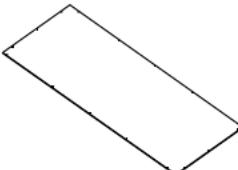
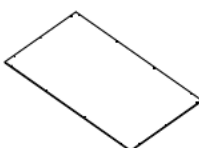
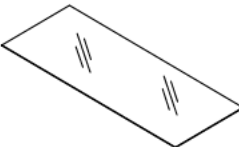
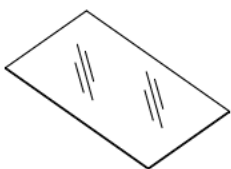
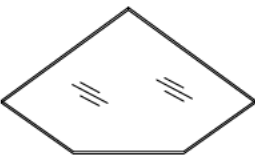
Parts List

Please review all parts and hardware before disposing of any packaging.
Call customer service if missing hardware.

Using a screw that is too long will cause damage.

Before beginning assembly, separate each type of screw. Carefully study the screw diagrams below. You may receive extra hardware with your unit.

<p>(1) Quantity Of 12</p>  <p>wood dowel</p>	<p>(2) Quantity Of 16</p>  <p>large machine bolt 1/4"x 2"</p>	<p>(3) Quantity Of 16</p>  <p>nut</p>
<p>(4) Quantity Of 35</p>  <p>short flat head screw 3.5 x 12mm*6</p>	<p>(5) Quantity Of 2</p>  <p>knob</p>	<p>(6) Quantity Of 2</p>  <p>small machine bolt</p>
<p>(7) Quantity Of 5</p>  <p>hinge</p>	<p>(8) Quantity Of 60</p>  <p>round head screw</p>	<p>(9) Quantity Of 2</p>  <p>magnet</p>
<p>(10) Quantity Of 4</p>  <p>bracket</p>	<p>(11) Quantity Of 2</p>  <p>plastic strap</p>	<p>(12) Quantity Of 4</p>  <p>anchor</p>
<p>(13) Quantity Of 4</p>  <p>long flat head screw 3.5*35mm*7</p>	<p>(14) Quantity Of 4</p>  <p>medium flat head screw 3.5*15mm*6</p>	<p>(15) Quantity Of 2</p>  <p>bolt dia 1/4"3/4"</p>
<p>(16) Quantity Of 1</p>  <p>metal shade</p>	<p>(17) Quantity Of 20</p>  <p>shelf support</p>	<p>(18) Quantity Of 1</p>  <p>light</p>
<p>(19) Quantity Of 4</p>  <p>cam bolt</p>	<p>(20) Quantity Of 4</p>  <p>cam lock</p>	<p>(21) Quantity Of 20</p>  <p>sticker cover</p>

<p>A Quantity Of 1</p>  <p>top panel</p>	<p>B Quantity Of 1</p>  <p>upper back rail</p>	<p>C Quantity Of 1</p>  <p>upper left side panel</p>
<p>D Quantity Of 1</p>  <p>upper right side panel</p>	<p>E Quantity Of 1</p>  <p>upper shelf</p>	<p>F Quantity Of 1</p>  <p>lower shelf</p>
<p>G Quantity Of 1</p>  <p>lower back rail</p>	<p>H Quantity Of 1</p>  <p>lower left side panel</p>	<p>I Quantity Of 1</p>  <p>lower right side panel</p>
<p>J Quantity Of 1</p>  <p>base</p>	<p>K Quantity Of 1</p>  <p>upper door</p>	<p>L Quantity Of 1</p>  <p>lower door</p>
<p>M Quantity Of 2</p>  <p>upper back panel</p>	<p>N Quantity Of 2</p>  <p>lower back panel</p>	<p>O Quantity Of 2</p>  <p>large back mirror</p>
<p>P Quantity Of 2</p>  <p>small back mirror</p>	<p>Q Quantity Of 4</p>  <p>glass shelf</p>	

Care and Cleaning Instructions:

Before using, wipe with a clean, dry cloth. Periodically apply furniture wax to renew the finish. Avoid rubbing or scratching the surface with rough or abrasive objects.



For replacement parts or questions, please call customer service at 1-800-633-5096.

Assembly Tool Required
No.2 Phillips Screwdriver (Not Included)



ESSEX CURIO

Assembly Instructions

4		3
16		1

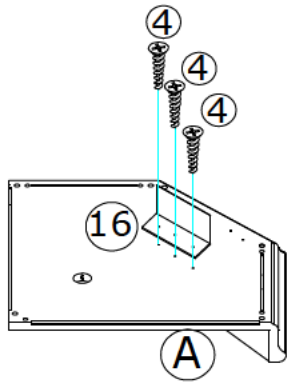




Figure 1

Be gentle with parts, wood may scratch easily.
Unpack and lay parts on a clean padded surface like carpet or blanket. Check that you have all parts indicated on the front page.

Insert short flat head short screws (4) through metal shade (16) and tighten into predrilled holes on underside of top panel (A).

4		2
18		1

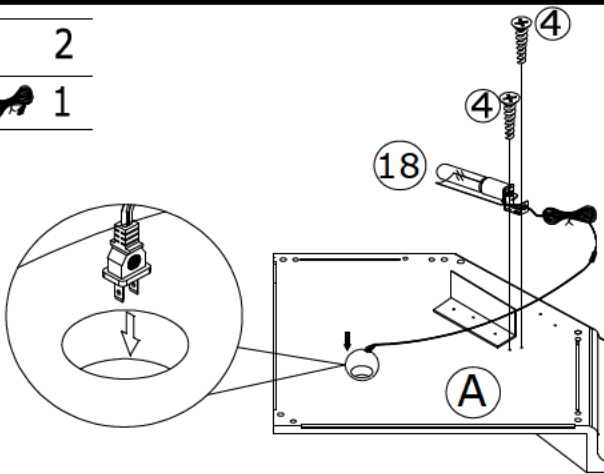
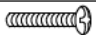





Figure 2

Insert short flat head screws (4) through corresponding holes on light (18) and tighten into predrilled holes on underside of top panel (A). Guide the light's (18) power cord through the hole on top panel (A) to upside of top panel (A) as shown in figure 2.

2		10
1		6
3		10
21		10

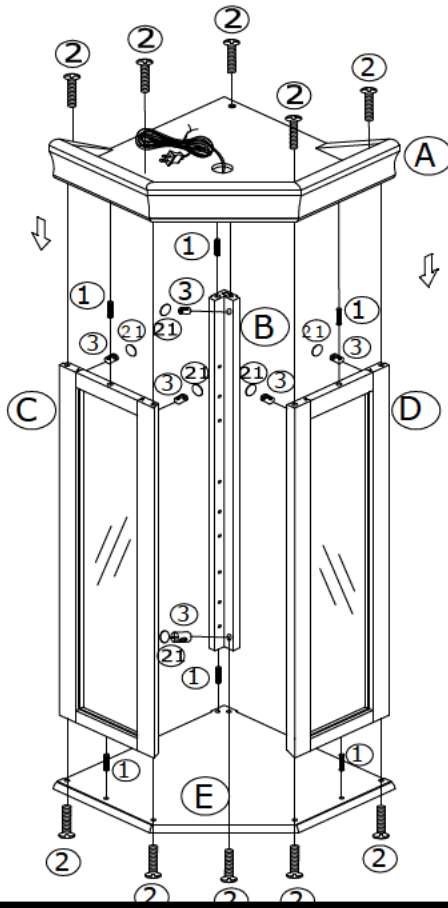


Figure 3

Insert wood dowels (1) into holes on the top of upper shelf (E) and fit into corresponding holes on bottom edges of parts (B, C, D).

Note: You may want to attach panels (B, C, D) one at a time to prevent damage.

Insert nut (3) into corresponding holes on parts (B, C, D). Insert large machine screws (2) through the bottom of upper shelf (E) and into the corresponding holes on parts (B, C, D).

Note: Grooves for screwdriver on nut (3) should be facing outward.

Tighten screws (2) with phillips screwdriver (not included). Repeat steps to attach top panel (A). Cover all nut (3) holes with sticker covers (21).

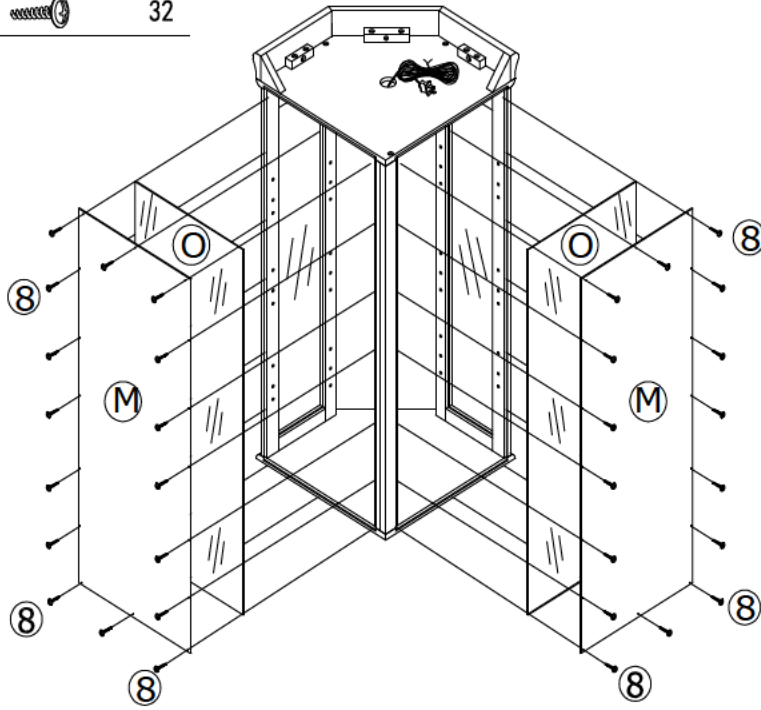

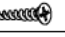
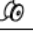





Figure 4

Please be careful attaching large back mirrors (O) into grooves of the unit. Attach upper back panels (M) into the slots of rear edges of the unit.

Insert round head screws (8) through the holes on upper back panels (M) and tighten into corresponding holes on rear edges of the unit as shown on figure 4.

Note: You may need to screw at an outward angle to prevent from breaking the glass.

8		2
4		18
5		2
6		1
7		3
9		1

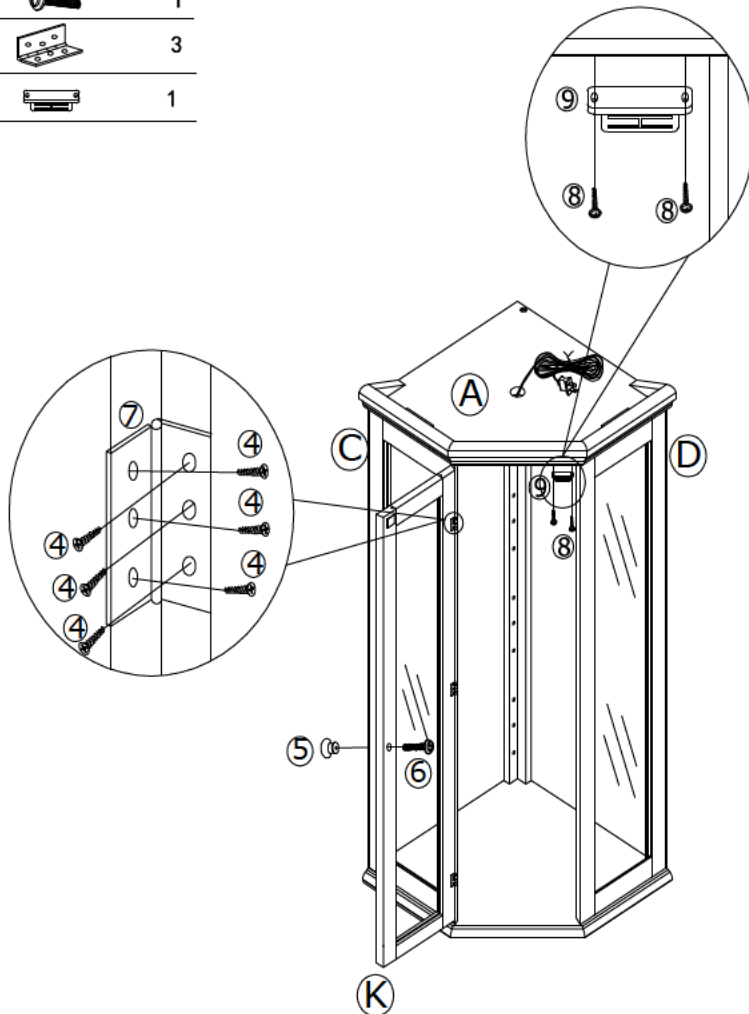
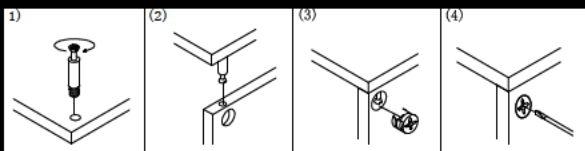


Figure 5

Insert short flat head screws (4) through the holes on hinges (7) and tighten into predrilled holes on edges of upper left side panel (C) and upper door (K).

Insert small machine screw (6) through predrilled hole on upper door (K) and tighten into handle (5).

Insert round head screws (8) through ends of magnet (9) and tighten into predrilled holes on underside of top panel (A) as shown in figure 5.



"Please do not over tighten cam bolts. Please stop when you feel tight"

2		6
1		6
3		6
19		4
20		4
21		10

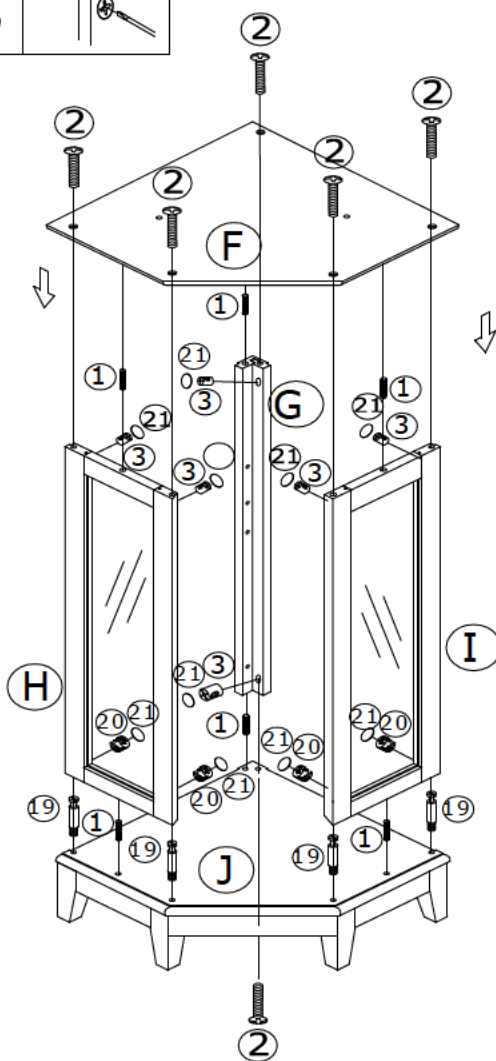


Figure 6

Tighten cam-bolts (19) into holes on upside of base (J). Insert wood dowels into holes on base (J) and fit into corresponding holes on bottom edges of parts (H, I, and G).

Insert cam-locks (20) into the bottom side holes on parts (H, I, and G) with slot for screwdriver facing outward. Rotate cam-locks (20) clockwise to secure cam-bolts (19) as shown in figure 6. Insert nut (3) into the bottom side hole on lower back rail (G) with grooves for screwdriver facing outward. Insert large machine screw (2) through the bottom of base (J) and into the corresponding hole on lower back rail (G). Tighten screw (2) with screwdriver.

Insert wood dowels (1) into holes on the top edges of parts (H, I, and G). Insert nut (3) into top side holes on parts (H, I, and G) with slot for screwdriver facing outward. Insert large machine screw (2) through holes on top of lower shelf (F) and into corresponding holes on the top edges of parts (H, I, and G).

Tighten screw (2) with phillips screwdriver.

Cover cam lock and nut holes with paper covers (21).

Note: You may want to attach panels (B, C, D) one at a time to prevent damage.

8		24
---	--	----

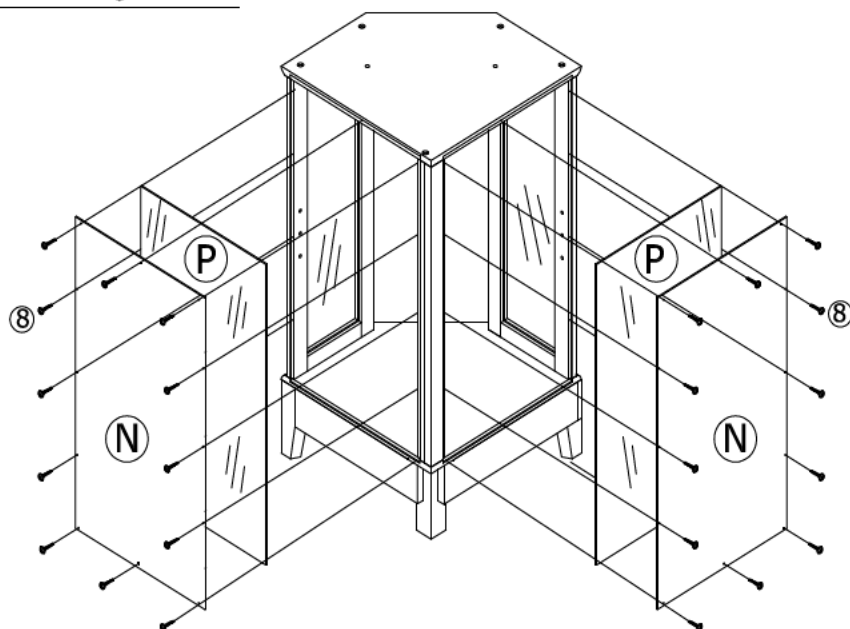


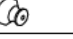



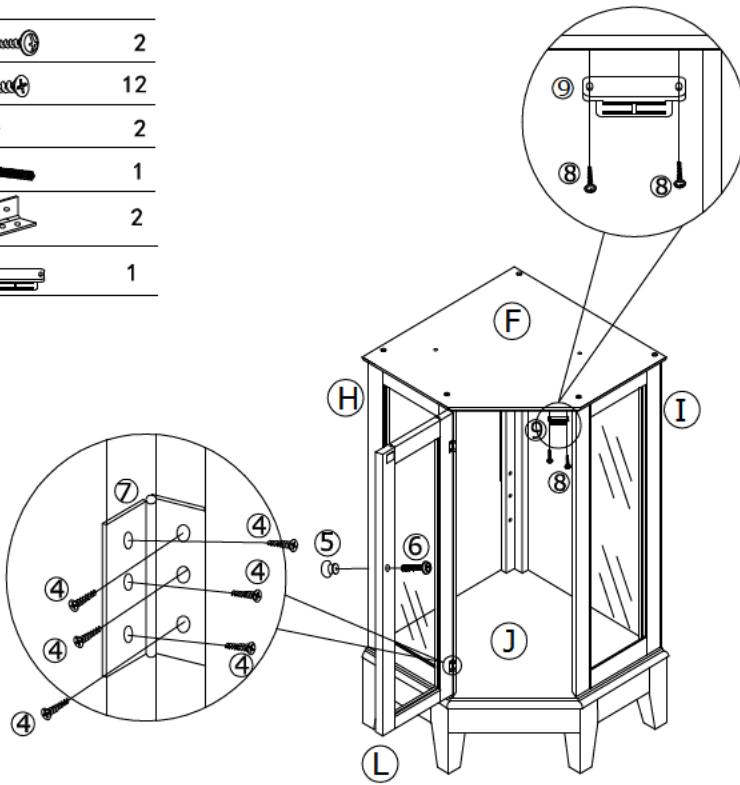


Figure 7

Please be careful attaching small back mirrors (P) into grooves of unit. Attach lower back panels (N) into slots of rear edges of unit.

Insert round head screws (8) through holes on lower back panels (N) and tighten into corresponding holes on rear edges of the unit as shown in figure 7.

8		2
4		12
5		2
6		1
7		2
9		1




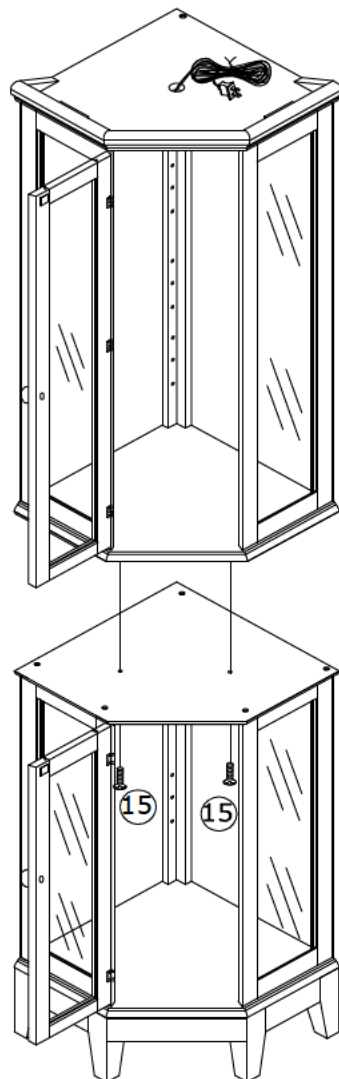
Insert flat head short screws (4) through the holes on hinges (7) and tighten into predrilled holes on edges of lower left side panel (H) and upper door (L).

Insert small machine screw (6) through hole on lower door (L) and tighten into handle (5).

Insert round head screws (8) through ends of the magnet (9) and tighten into predrilled holes on underside of lower shelf (F) as shown in figure 8.

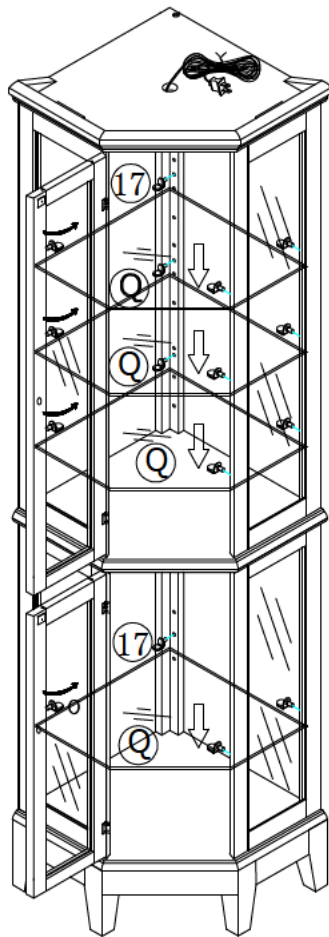
Figure 8

15		2
----	---	---



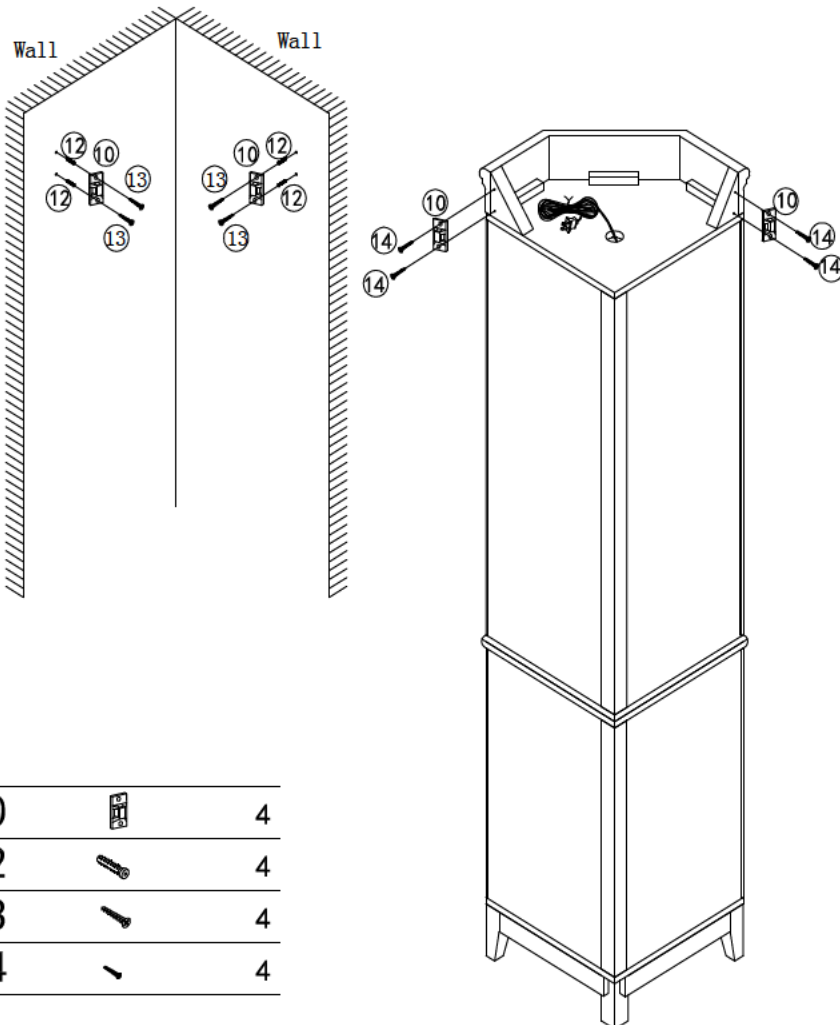
With an assistant, place upper cabinet on top of lower cabinet. Insert bolts (15) through the holes on lower shelf (F) into threaded holes on underside of upper shelf (E) and tighten using screwdriver as shown in figure 9.

Figure 9



Fit shelf supports (17) into holes on the inside of the unit. Place glass shelves (Q) on shelf supports (17) as shown in figure 10.

Figure 10

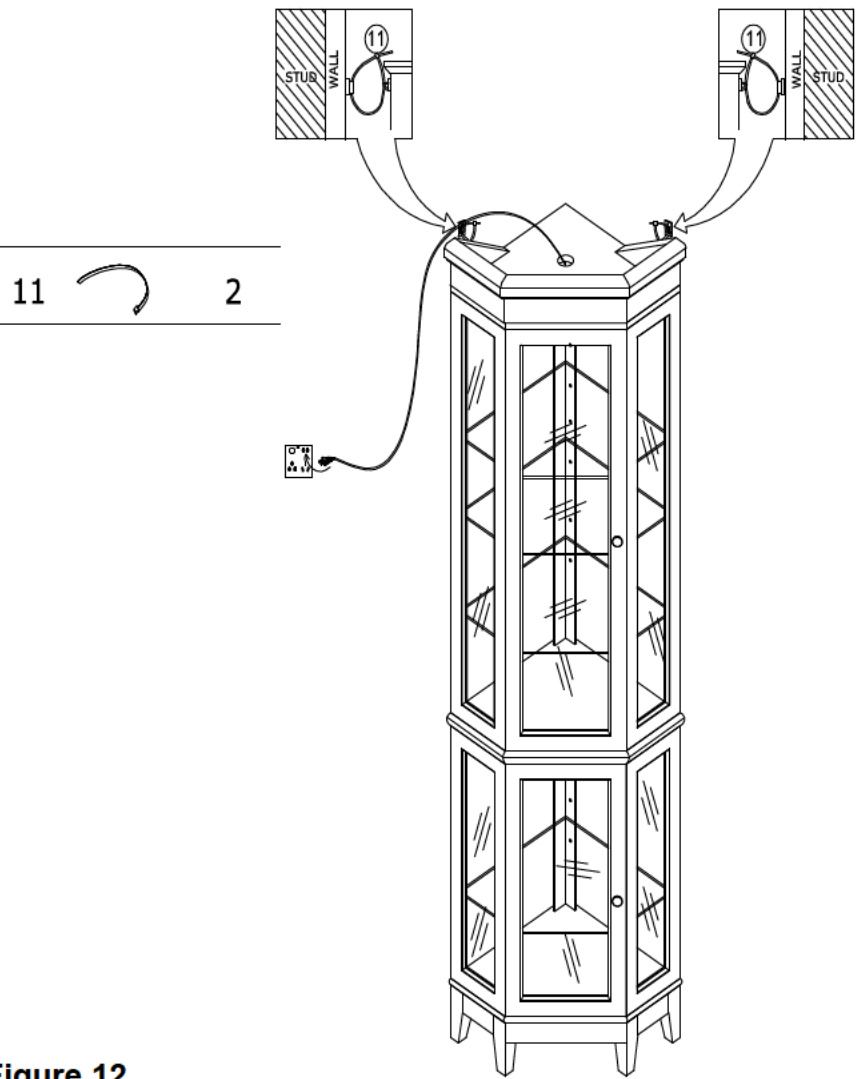


Attach brackets (10) to back panels using medium flat head screws (14). Tighten screws using phillips screwdriver.

Mark two desired locations on wall. Drill two 3/16" holes on wall. Insert plastic anchors (12) into the holes and hammer them into place. Attach the brackets (10) to the wall using long flat head screws (13). Tighten screws(13) using phillips screwdriver.

10		4
12		4
13		4
14		4

Figure 11



Move the item close to the wall and tie brackets (10) with plastic straps (11) as shown in Figure 12.

Fit the plug to the appropriate power source. Turn the light on and off by turning the switch on the side of light fixture as shown in figure 12.

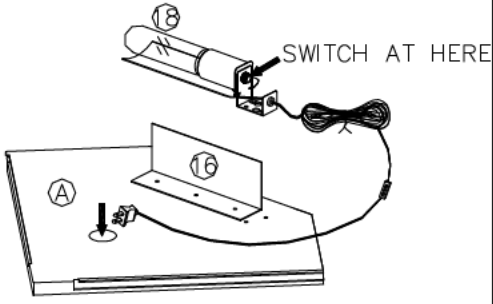


Figure 12

Anti-tipping hardware must be used for this product to avoid tipping and injury.

Each Shelf glass supports up to 10 lbs.

Your essex curio is ready for use.

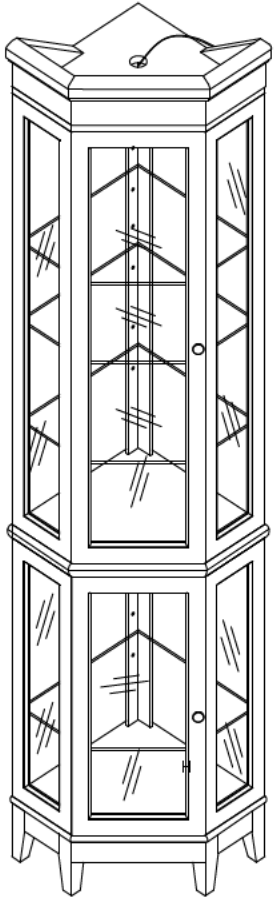


Figure 13

WARNING:

- USE THE PROPER BULB AND THE PROPER POWER SUPPLY LABELED ON THE LAMP HOLDER.
- **THIS PRODUCT CAN ONLY BE USED INDOORS.**

IMPORTANT SAFETY INSTRUCTIONS

WHEN USING ELECTRICAL PRODUCTS, BASIC PRECAUTIONS SHOULD ALWAYS BE FOLLOWED INCLUDING THE FOLLOWING.

READ AND FOLLOW ALL SAFETY INSTRUCTIONS

- DO NOT USE SEASONAL PRODUCTS OUTDOORS UNLESS MARKED SUITABLE FOR INDOOR AND OUTDOOR USE. WHEN PRODUCTS ARE USED IN OUTDOOR APPLICATIONS, CONNECT THE PRODUCT TO A GROUND FAULT CIRCUIT INTERRUPTING (GFCI) OUTLET. IF ONE IS NOT PROVIDED, CONTACT A QUALIFIED ELECTRICIAN FOR PROPER INSTALLATION.
- THIS SEASONAL USE PRODUCT IS NOT INTENDED FOR PERMANENT INSTALLATION OR USE.
- DO NOT MOUNT OR PLACE NEAR GAS OR ELECTRIC HEATERS, FIREPLACE, CANDLES OR OTHER SIMILAR SOURCES OF HEAT.
- DO NOT OPERATE WHERE AEROSOL (SPRAY) PRODUCTS ARE BEING USED OR WHERE OXYGEN IS BEING ADMINISTERED.
- DO NOT LET LAMPS REST ON THE SUPPLY CORD OR ON ANY WIRE.
- UNPLUG THE PRODUCT WHEN LEAVING THE HOUSE, WHEN RETIRING FOR THE NIGHT, OR IT LEFT UNATTENDED.
- CLOSE SUPERVISION IS NECESSARY WHEN THIS APPLIANCE IS USED BY, OR NEAR CHILDREN.
- USE THIS APPLIANCE ONLY FOR ITS INTENDED USE AS DESCRIBED IN THIS MANUAL. DO NOT USE ATTACHMENTS NOT RECOMMENDED BY THE MANUFACTURER.
- DO NOT HANG ORNAMENTS OR OTHER OBJECTS FROM CORD, WIRE, OR LIGHT STRING.
- NEVER OPERATE THE APPLIANCE IF IT HAS A DAMAGED CORD OR PLUG, IF IT IS NOT WORKING PROPERLY, IF IT HAS BEEN DROPPED OR DAMAGED. RETURN THE FURNISHING TO A SERVICE CENTER FOR REPAIR.
- TO DISCONNECT, TURN ALL CONTROLS TO THE OFF POSITION, THEN REMOVE PLUG FROM OUTLET. READ AND FOLLOW ALL INSTRUCTIONS THAT ARE ON THE PRODUCT OR PROVIDED WITH THE PRODUCT.

USE AND CARE INSTRUCTIONS

- BEFORE USING OR REUSING, INSPECT PRODUCT CAREFULLY. DISCARD ANY PRODUCTS THAT HAVE CUT, DAMAGED, OR FRAYED WIRE INSULATION OR CORDS, CRACKS IN THE LAMP HOLDERS OR ENCLOSURES, LOOSE CONNECTIONS, OR EXPOSED COPPER WIRE.
- WHEN STORING THE PRODUCT, CAREFULLY REMOVE THE PRODUCT FROM WHEREVER IT IS PLACED, , TO AVOID ANY UNDUE STRAIN OR STRESS ON THE PRODUCT CONDUCTORS, CONNECTIONS AND WIRES.
- WHEN NOT IN USE, STORE NEATLY IN A COOL, DRY LOCATION PROTECTED FROM SUNLIGHT.

SAVE THESE INSTRUCTIONS