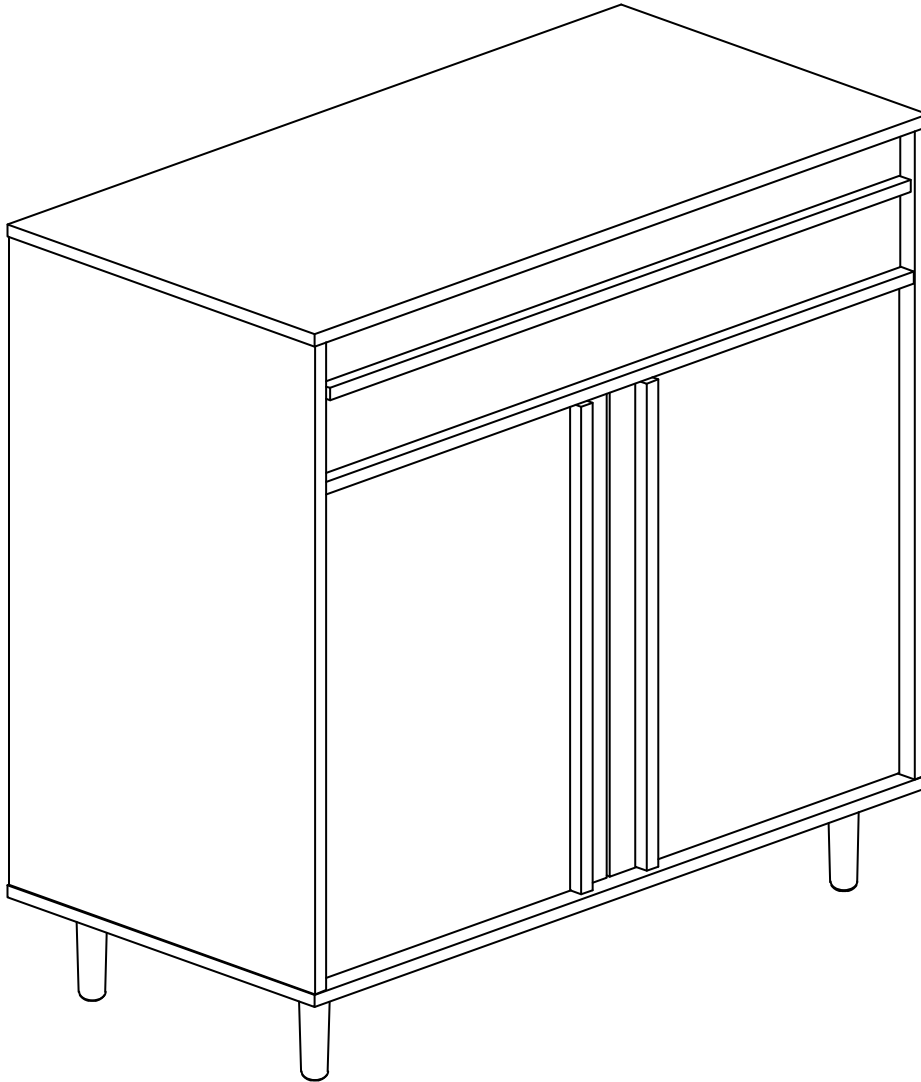


## ASSEMBLY INSTRUCTIONS

# Accent Cabinet



90 min. assembly  
2 person

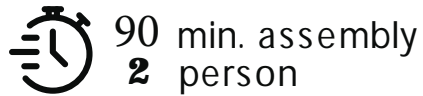
\*The estimated assembly time may vary depending on the individual.

# Hey, there

Now is assembly time!

Deeeeeeep breathe.... and again....  
Tools ready,  
Easy peasy!

## Estimated



## Tools Required

- Phillips screwdriver(not included)
- Power Drill (not included)
- Drill bit(not included)
- Hammer (not included)

important: Cautious when you use power tools

Thank you for purchasing this product. This product has been manufactured with the highest standards of safety and quality.

**PLEASE READ ALL INSTRUCTIONS CAREFULLY BEFORE ASSEMBLY.**

Unpack all parts from the packaging inside the carton to ensure there are no missing or damaged parts. Lay out all the parts on a clean, flat, and soft surface to prevent scratches. Refer to the steps provided as assembling guide.

Do not attempt to assemble or use the product if any parts are missing or damaged.

## REMINDERS

### SAFE USAGE IS KEY

Your well-being is our top priority when you use our product. Please prioritize your safety by diligently following the assembly guidelines and inspecting the product carefully both when it arrives and before each use.

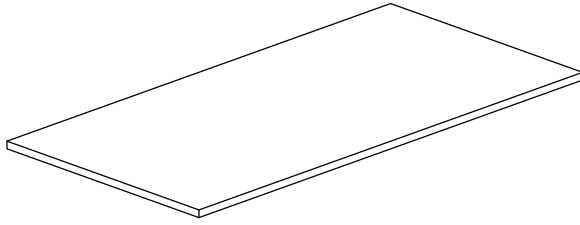
Please be aware that we cannot be held liable for any injuries or fatalities that occur due to not adhering to the provided instructions or misuse of the product.

### DO NOT MODIFY

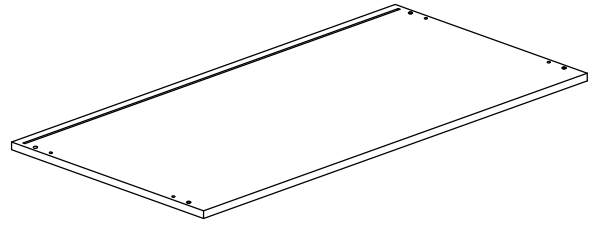
Our products undergo rigorous testing to ensure they meet established safety standards before being released for sale. Altering the product in any way can lead to serious safety concerns, for which we cannot assume responsibility.

# What's in the box

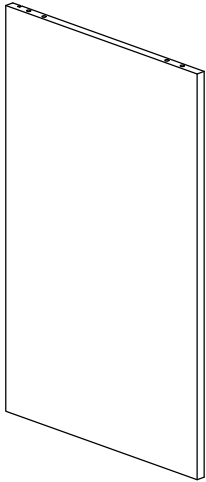
## Parts (1/2)



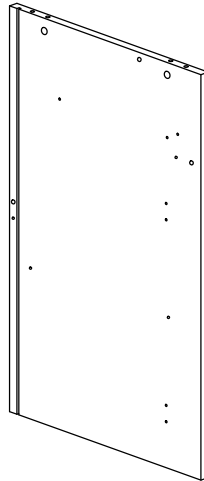
**1** X 1  
Top Panel



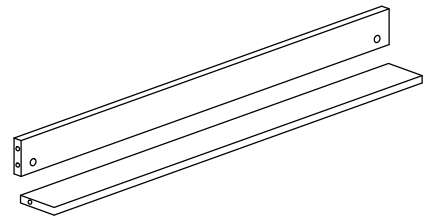
**2** X 1  
Bottom Panel



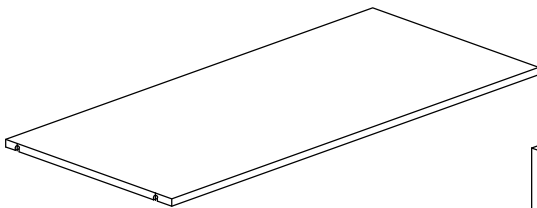
**3** X 1  
Side Panel-Left



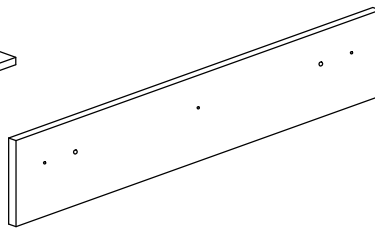
**4** X 1  
Side Panel-Right



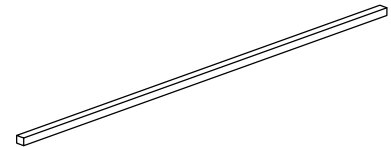
**5** X 2  
Support Rail  
(Front & Back)



**6** X 1  
Adjustable Panel



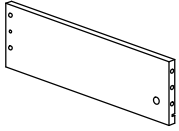
**7** X 1  
Drawer Front



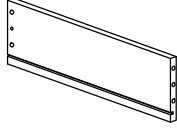
**8** X 1  
Drawer Handle

# What's in the box

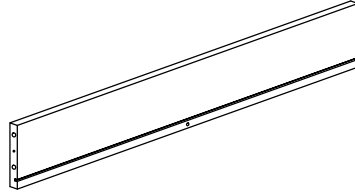
## Parts (2/2)



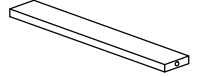
**9** X 1  
Drawer Side  
Panel-Left



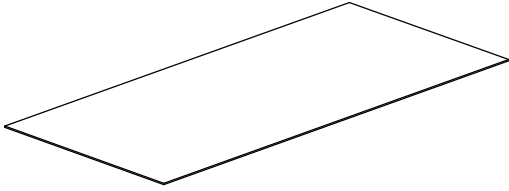
**10** X 1  
Drawer Side  
Panel-Right



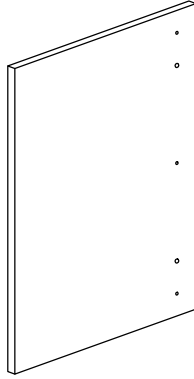
**11** X 1  
Drawer Side  
Panel-Right



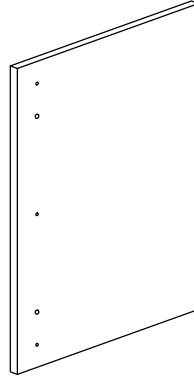
**12** X 1  
Drawer  
Support Rail



**13** X 1  
Drawer Base



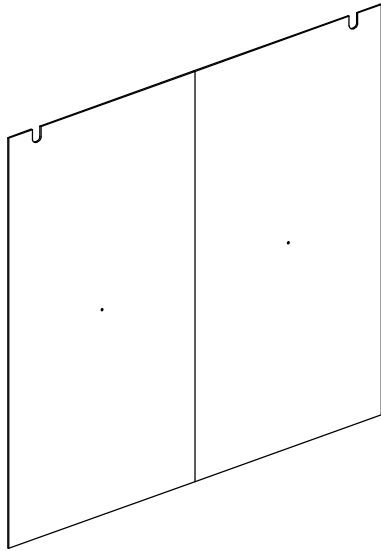
**14** X 1  
Door-Left



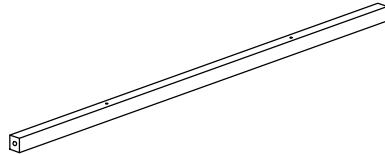
**15** X 1  
Door- Right



**16** X 2  
Door Handle



**17** X 2  
Back Panel



**18** X 1  
Strengthening  
Panel

# What's in the box

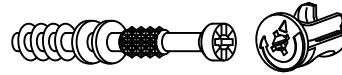
## Hardware & Accessory



**A** X 6+1  
M8 x 20mm  
Wood Dowel



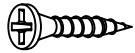
**B** X 20+4  
M8 x 25 mm  
Wood Dowel



**C** X 13+2  
15mm Minifix Myfix



**D** X 10+2  
M3.5 x 12 mm  
Screw



**E** X 56+4  
M3.5 x 16mm  
Screw



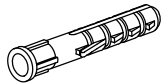
**F** X 9+1  
M4 x 28mm  
Screw



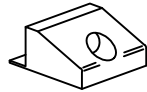
**G** X 4  
M4 x 38mm  
Screw



**H** X 7+1  
M4 x 45mm  
Screw



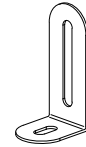
**I** X 2  
Ø6 x 25 mm  
Wall Plug



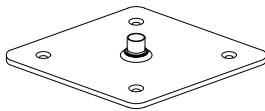
**J** X 10+2  
Pyramid Angle  
Corner Block



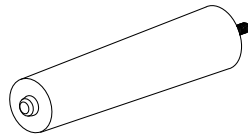
**K** X 4  
Shelf Support



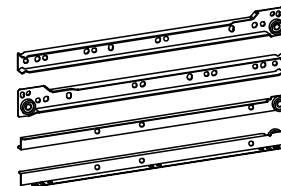
**L** X 2  
L-Bracket  
(1.2x24x90mm)



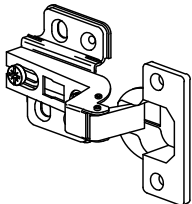
**M** X 4  
Metal Support Leg  
(63x63xM8)



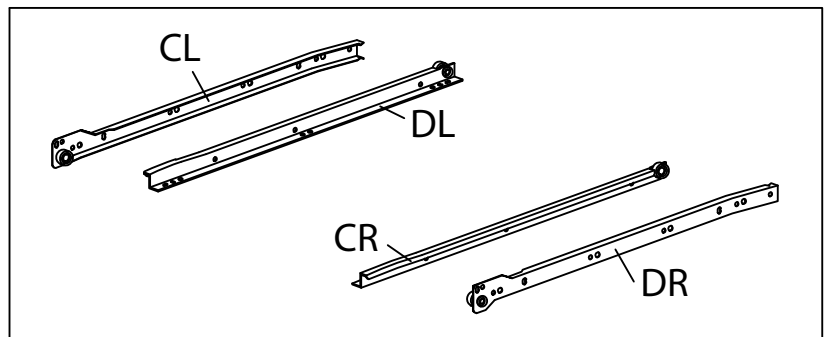
**N** X 4  
Leg H125 x W38 x D38mm  
M8 out 12mm- Natural 7487



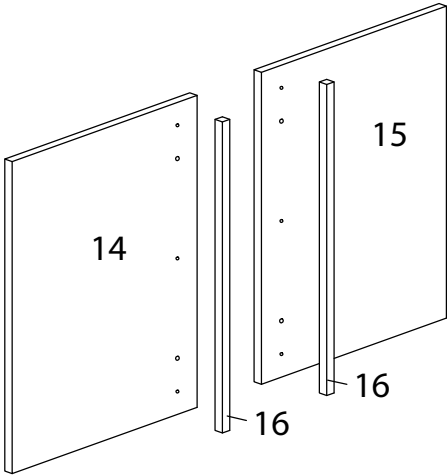
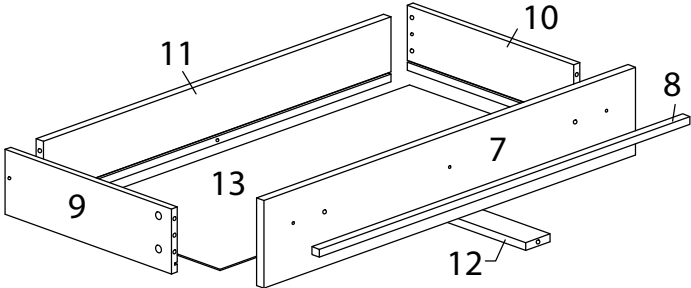
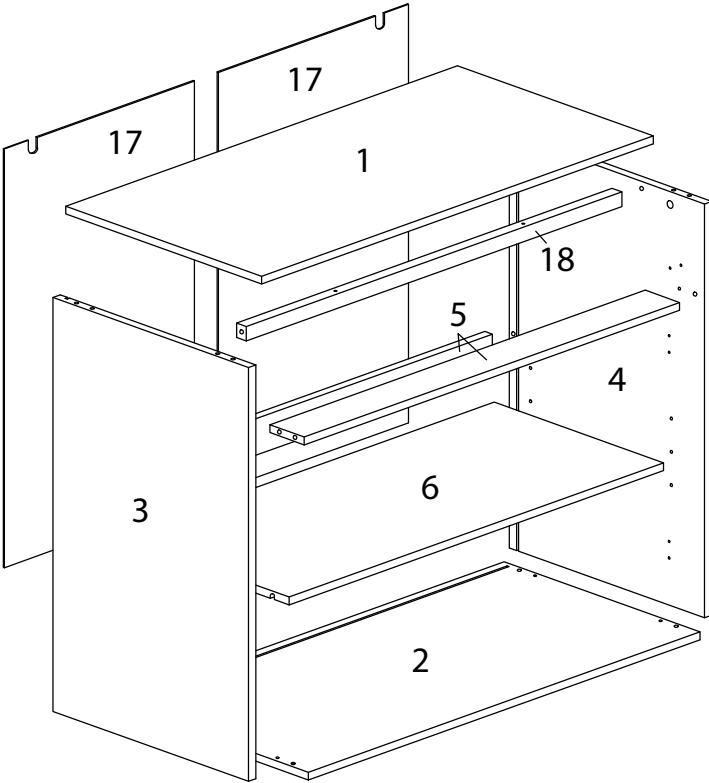
**O** X 1set  
Drawer Slide  
300mm



**P** X 4  
Hinges 7/8



# Assembly



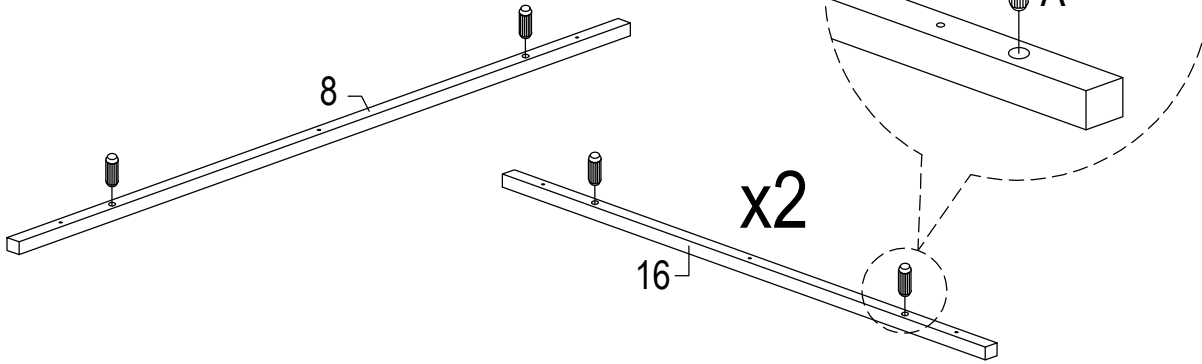
# Step 1

Insert Wood Dowel (A) into the non-thru holes of panel (8) & (16) by hammer. Knock it in gently, as shown.

(A) x 6



M8x20mm  
Wood Dowel



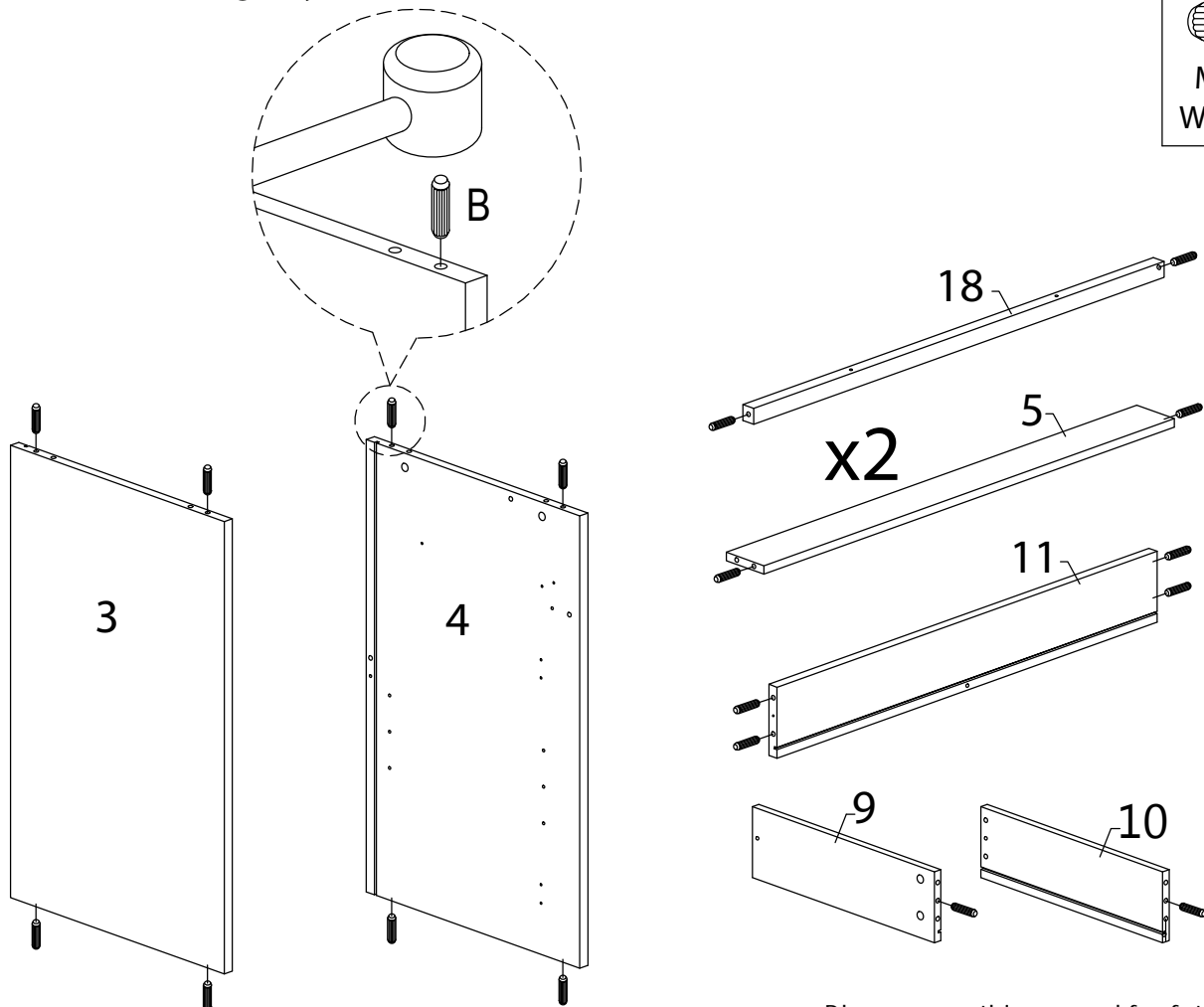
# Step 2

Insert Wood Dowel (B) into the non-thru holes of panel (3, 4, 5, 9, 10, 11 & 18) by hammer. Knock it in gently, as shown.

(B) x 20

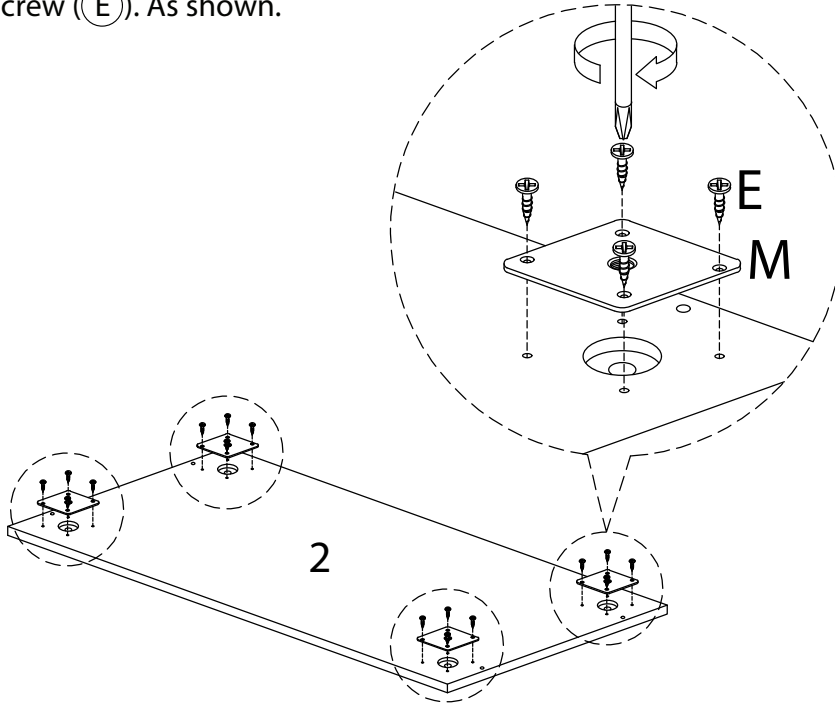




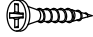
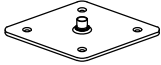
M8x25mm  
Wood Dowel



# Step 3

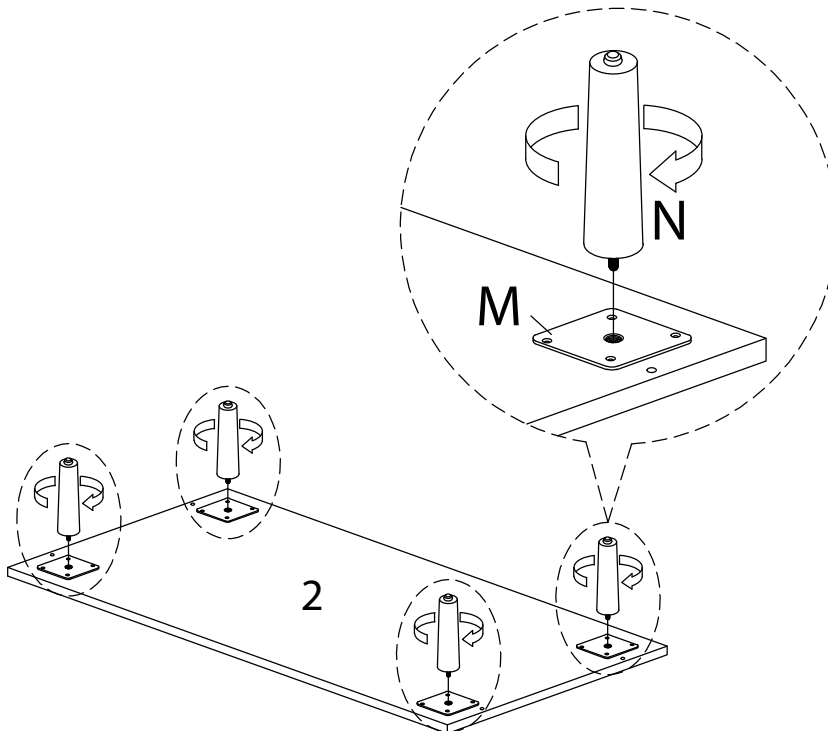
Install hardware (M) onto bottom of panel (2) with 4 pcs of screw (E). As shown.





 x 16	 x 4
 M3.5x16mm Screw	 Metal Support Leg (63x63xM8)

# Step 4

Install legs (N) as shown.

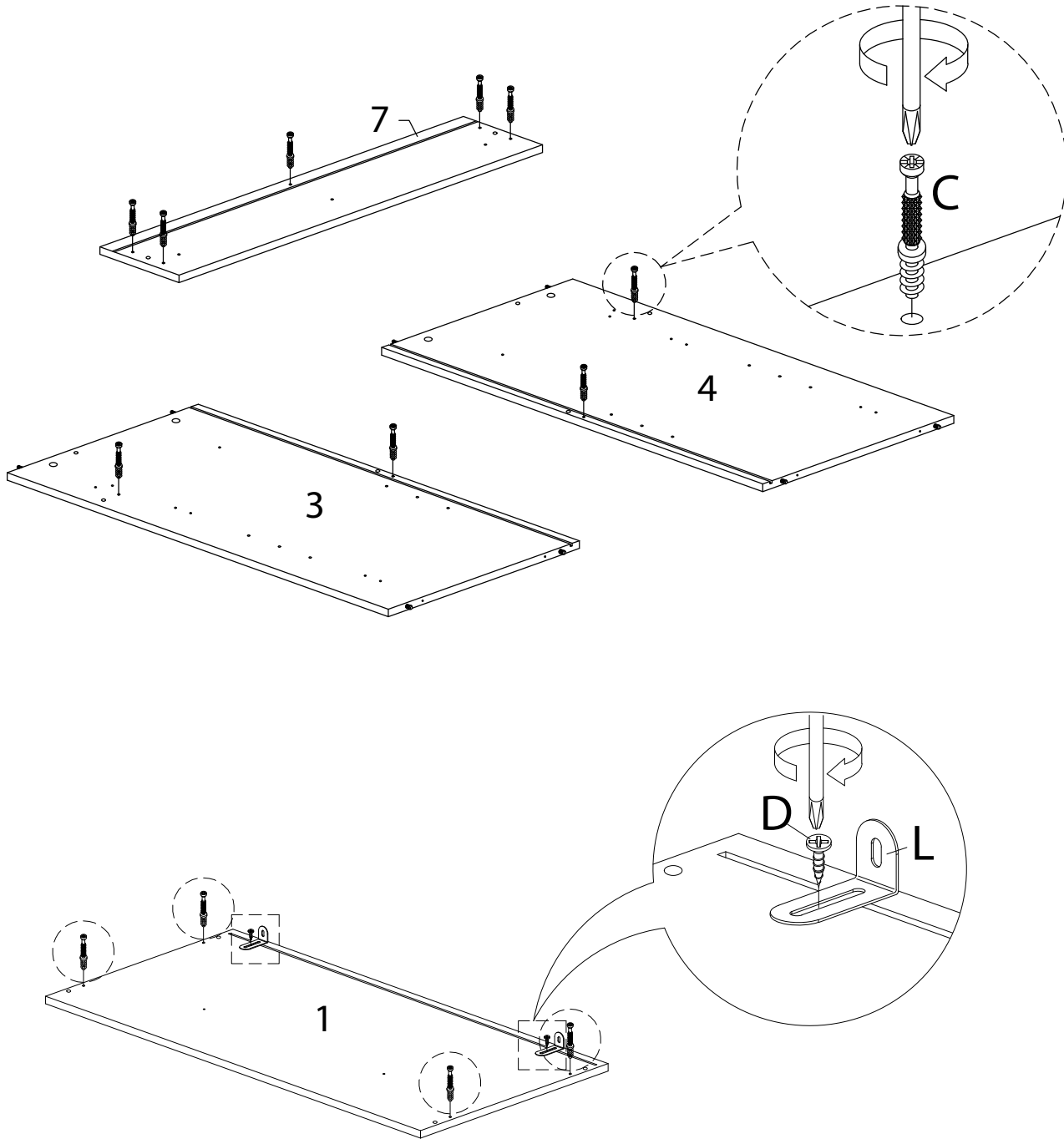


 x 4
 Leg H125 x W38 x D38mm M8 out 12mm-Natural 7487

# Step 5

Insert Myfix (C) into the non-thru holes of the panel (1, 3, 4 & 7) by using screw driver. (As shown)  
Place L-Bracket (L) into panel (1) & insert screw (D).  
Fully tighten with screw driver.







C x 13	D x 2	L x 2
Myfix	M3.5x12mm Screw	L-Bracket (1.2x24x90mm)

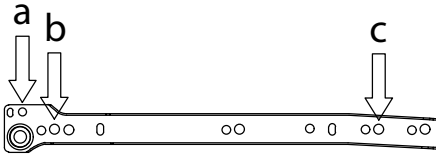


# Step 6

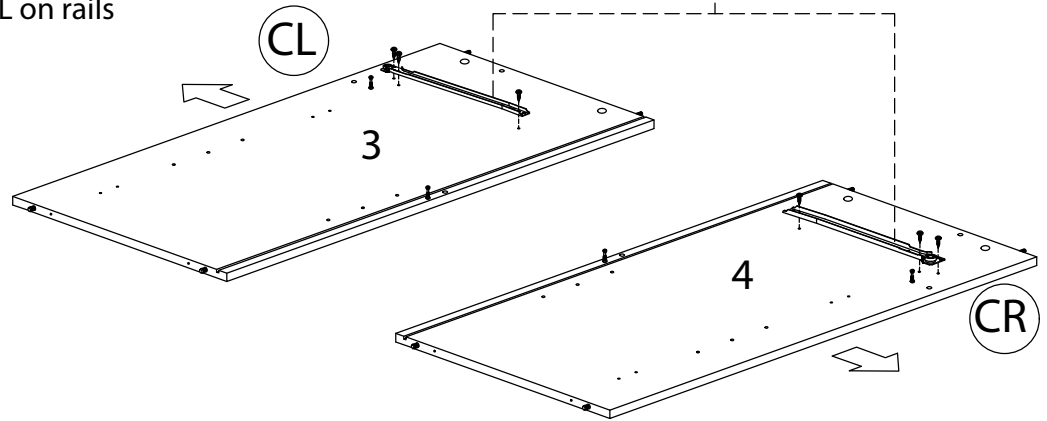
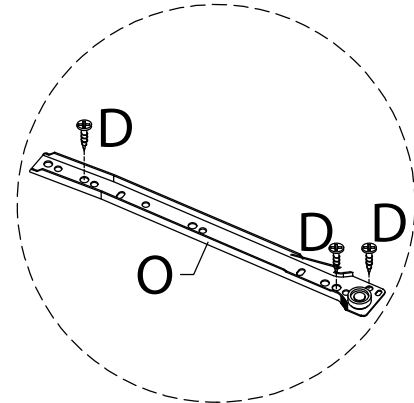
Install CL on panel (3) and CR on panel (4) strictly following the detail sketch.

Note : Find steel seal of CR, CL, DR, DL on rails.

 x 6	 x 1	 x 1
 M3.5x12mm Screw	 Drawer Slide CL	 Drawer Slide CR


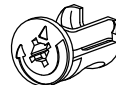


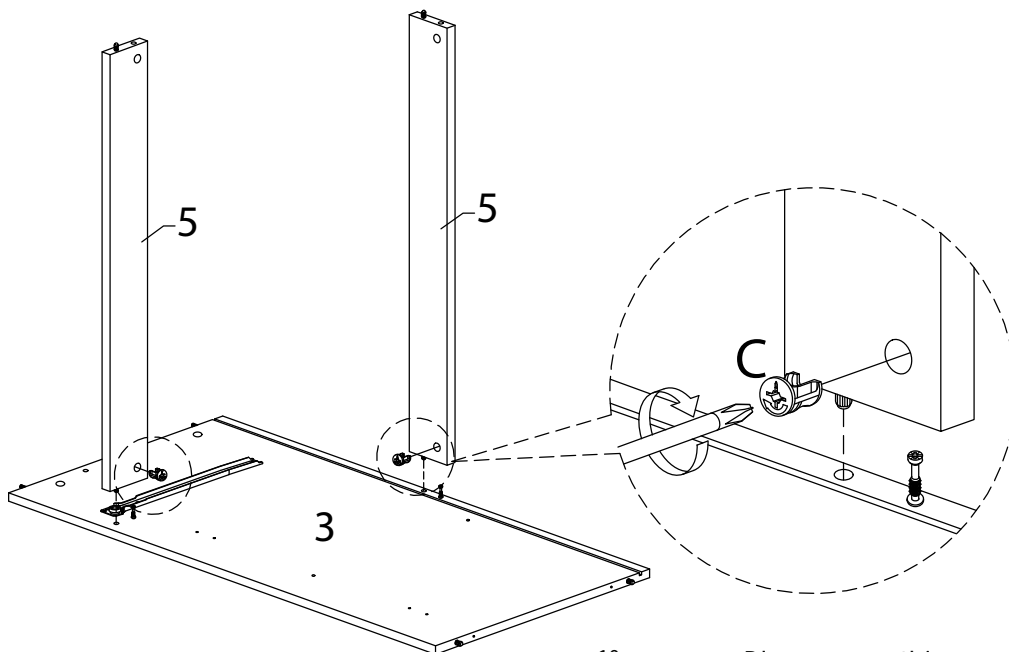
- # Screw in hole a, b and c
- # CL for panel ③
- # CR for panel ④
- # Find steel seal of CR, CL, DR, DL on rails.



# Step 7

Connect both panel (5) with panel (3). Insert minifix (C) into predrilled holes of panels (5), then tighten it clockwise in order to lock minifix up. (As shown).

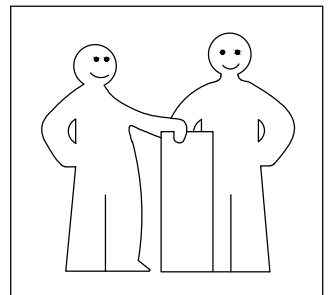
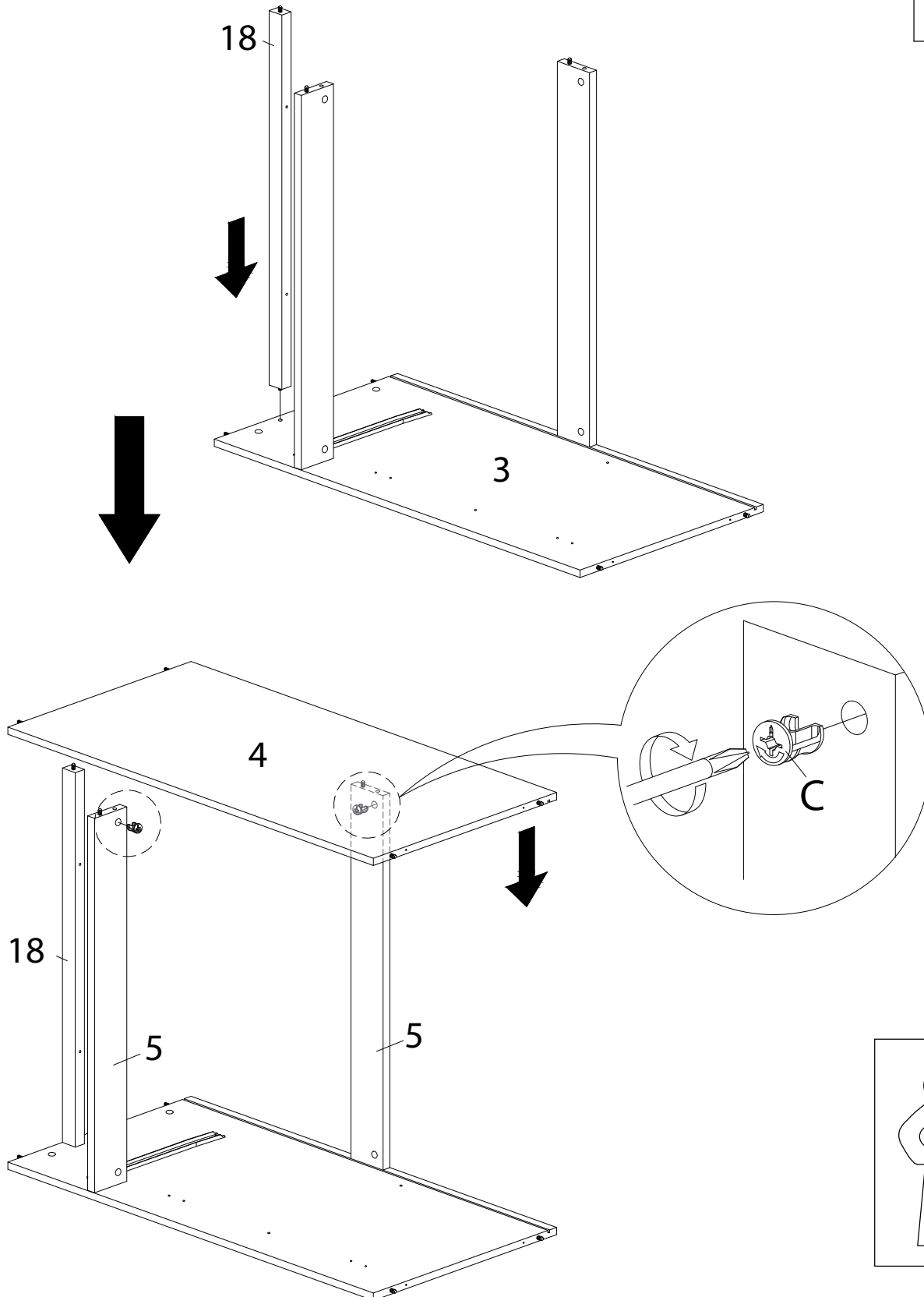
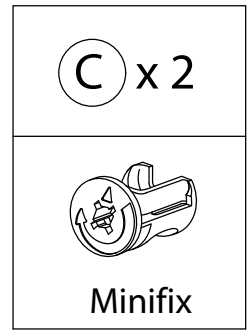
 x 2
 Minifix



# Step 8

Connect panel (18) with panel (3).

Then, place panel (4) onto panel (5) & (18). Insert minifix (C) into predrilled holes of panels (5). Then tighten it clockwise in order to lock minifix up. (As shown).



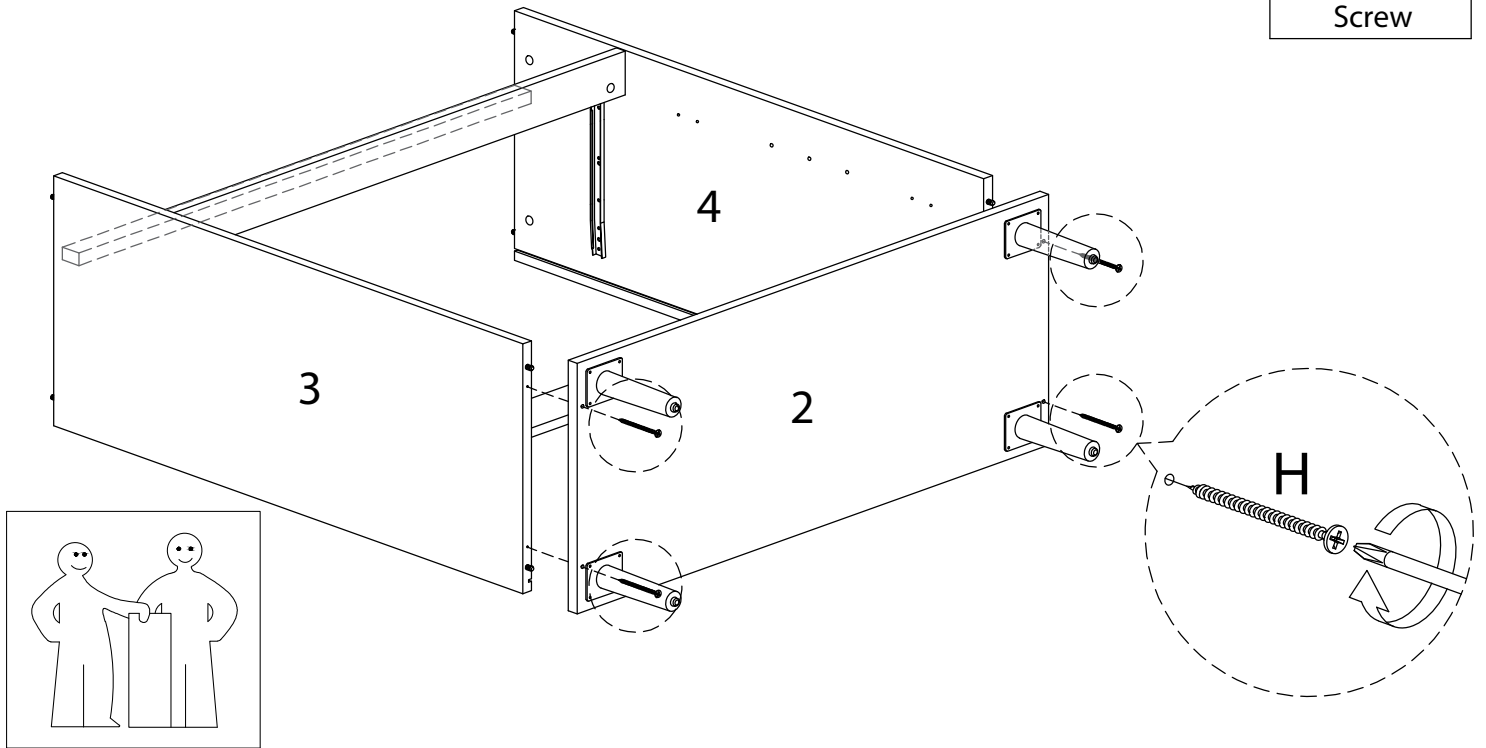
# Step 9

Place panel (2) onto panel (3) & (4) by using screw (H) to fix them. Fully tighten with screw driver. (As shown).

(H) x 4

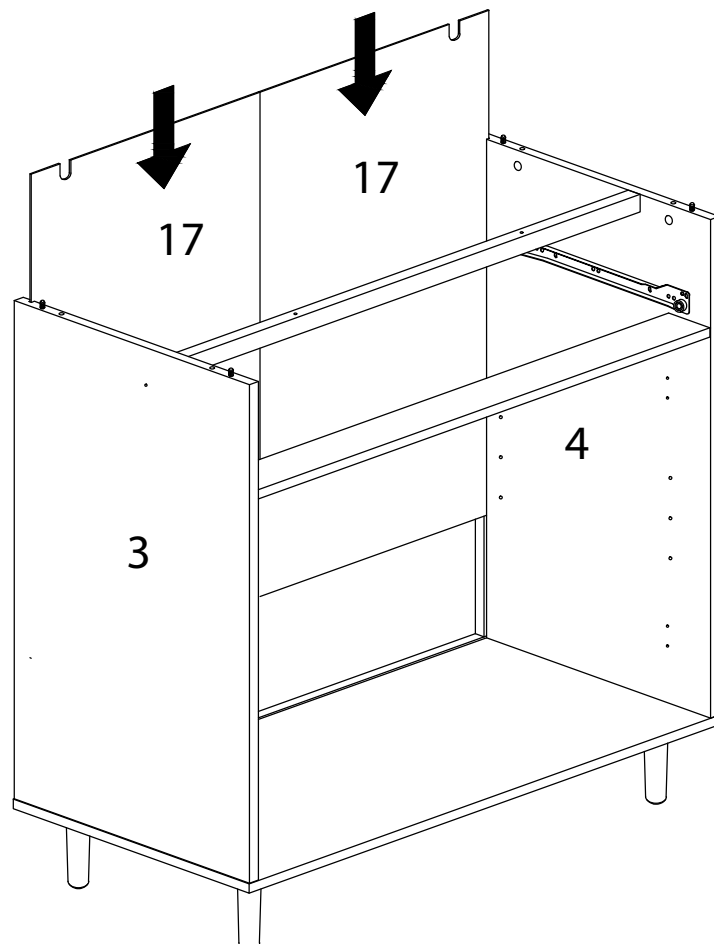


M4x45mm  
Screw



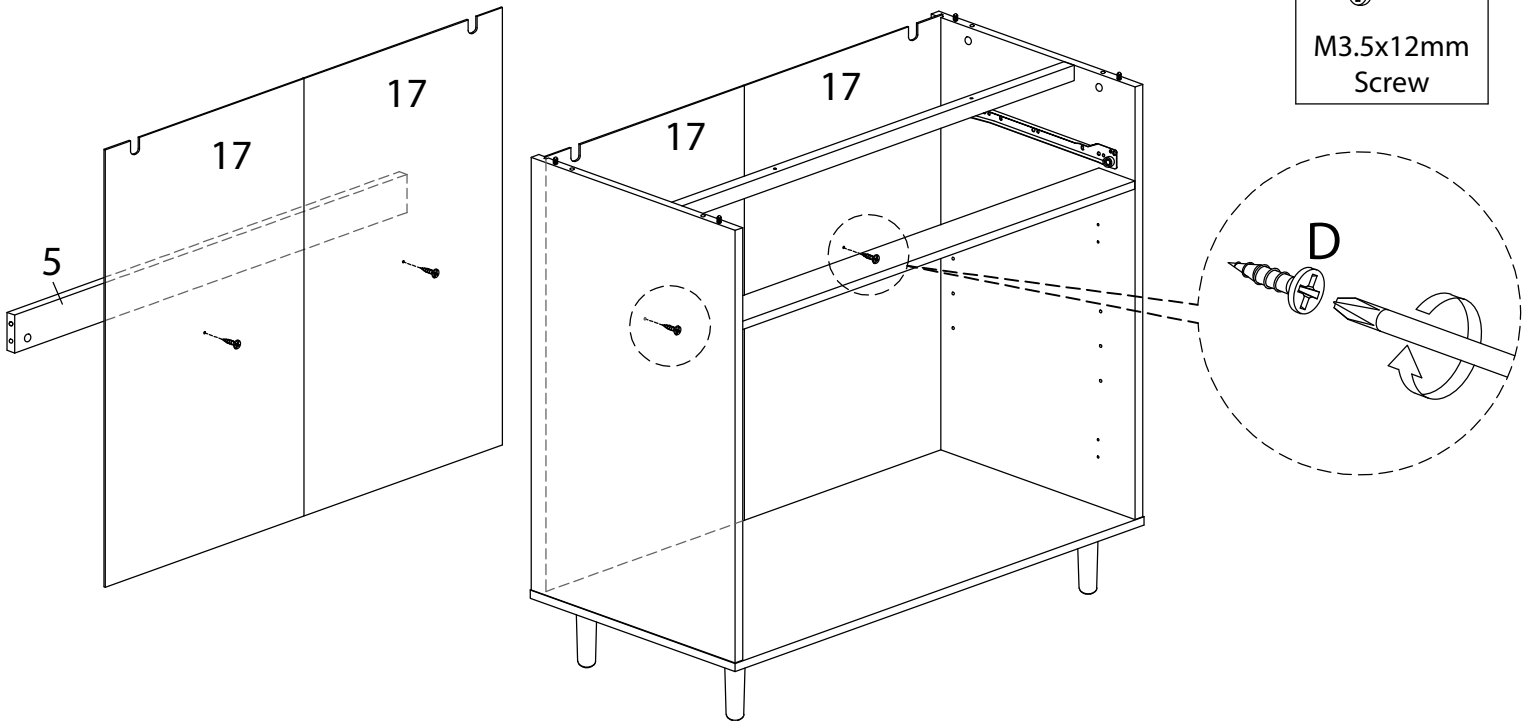
# Step 10

Slot in 2pcs panel (17) into groove of both side panel (3 & 4) as shown.



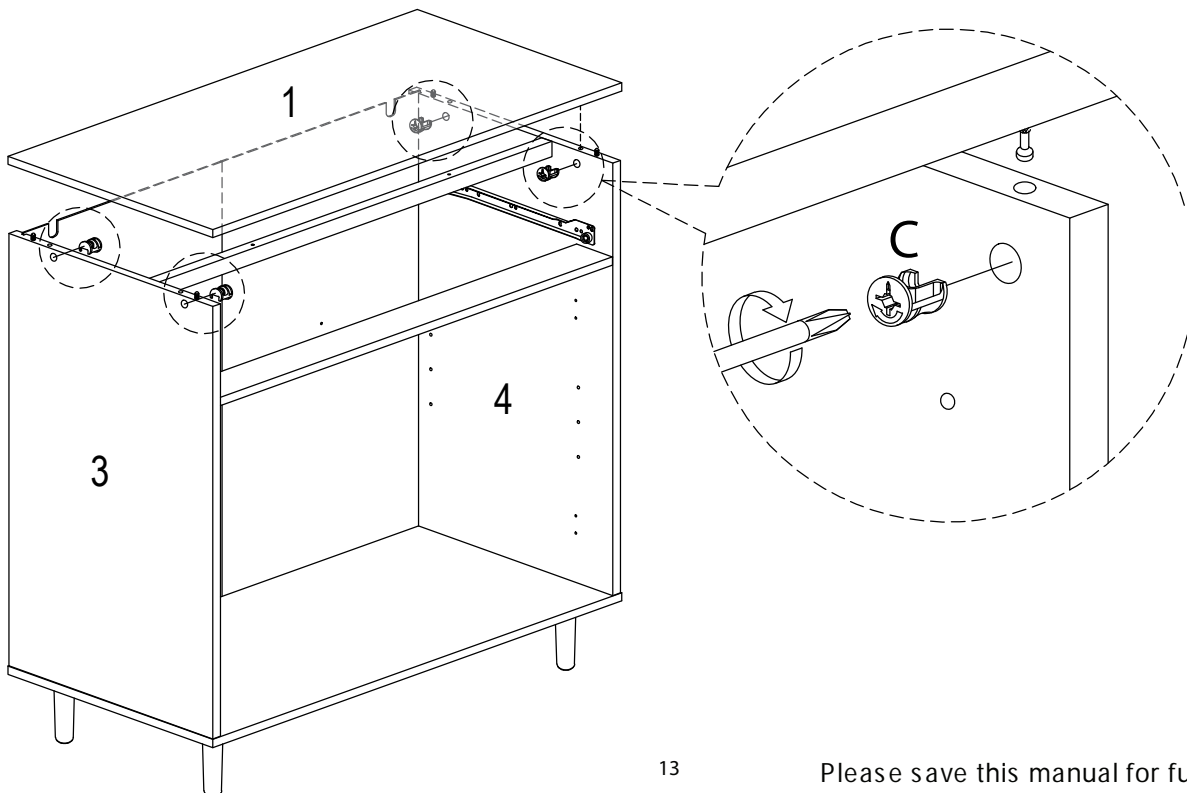
# Step 11

Fasten screw (D) between panel (17) & (5) as shown.



# Step 12

Attach panel (1) onto panel (3) & (4). Align the panel (1) firmly onto the wood dowels. Insert minifix (C) into predrilled holes of panel (3) & (4), then tighten them clockwise in order to lock minifix up by going underneath panel (1). (As shown).



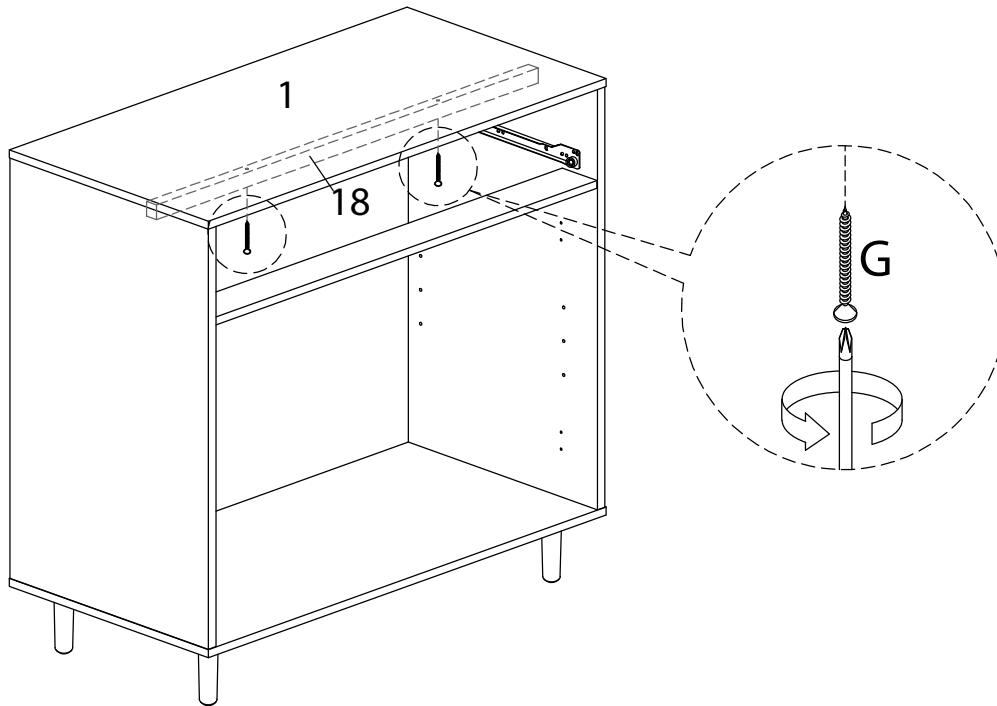
# Step 13

Fasten panel (18) with panel (1). Insert screw (G) to make this cabinet stronger. Fully tighten the screws with screw driver. (As shown).

G x 2



M4x38mm  
Screw



# Step 14

E x 10

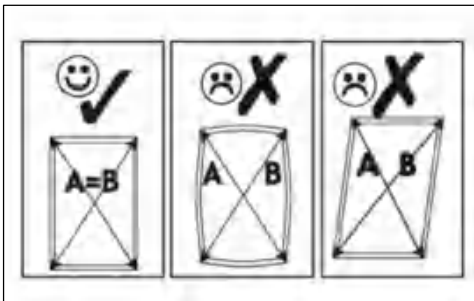
J x 10



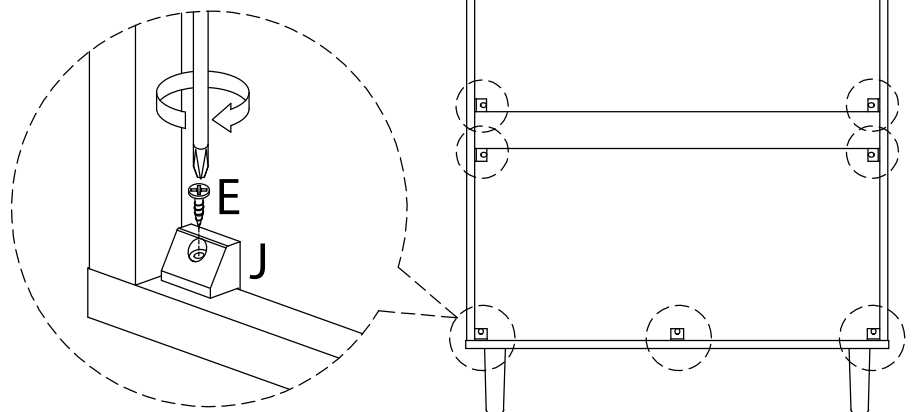
M4x16mm  
Screw



Pyramid Angle  
Corner Block



**ATTENTION PLEASE** :Please ensure the structure is straight and level and all panels are at right angles before installing the back buckles, **MUST** install back buckles to strengthen product stability.



Back View

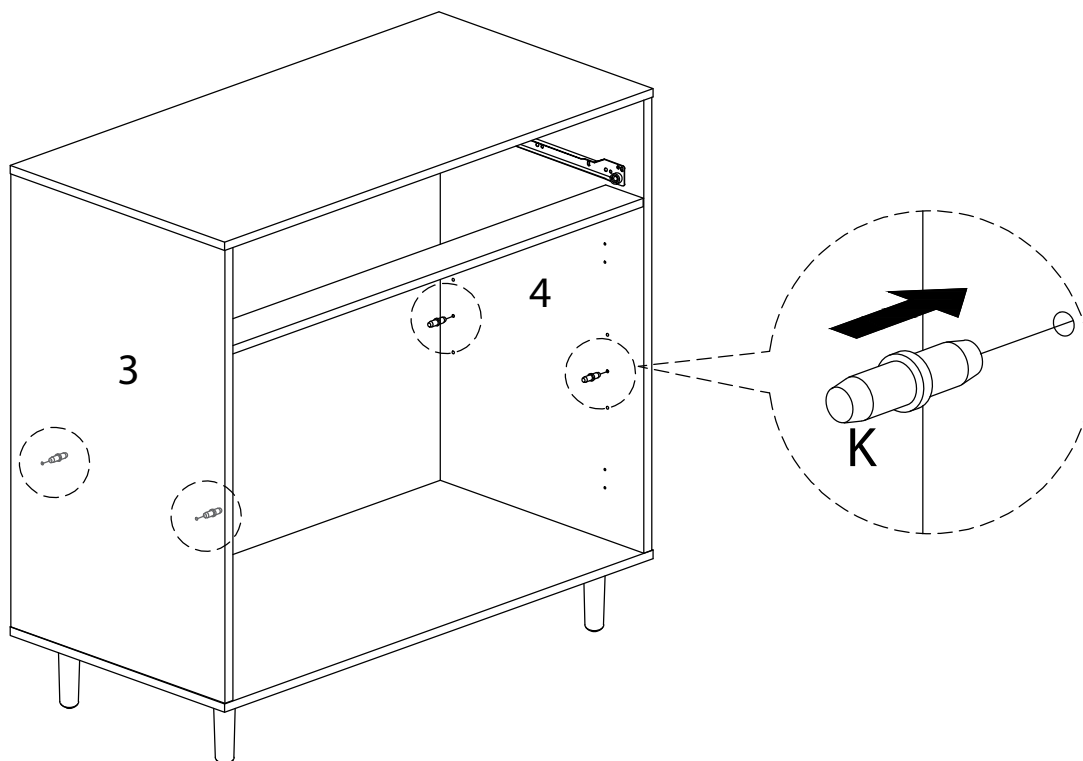
# Step 15

Insert shelf support (K) into predrilled holes of panel (3) & (4) as shown.

(K) x 4

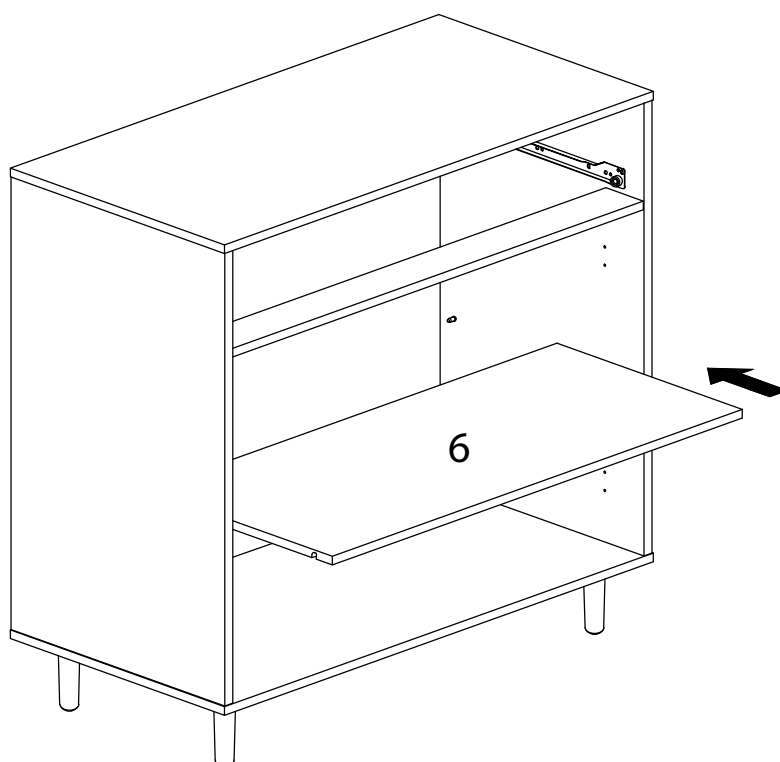


Shelf Support






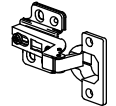
# Step 16

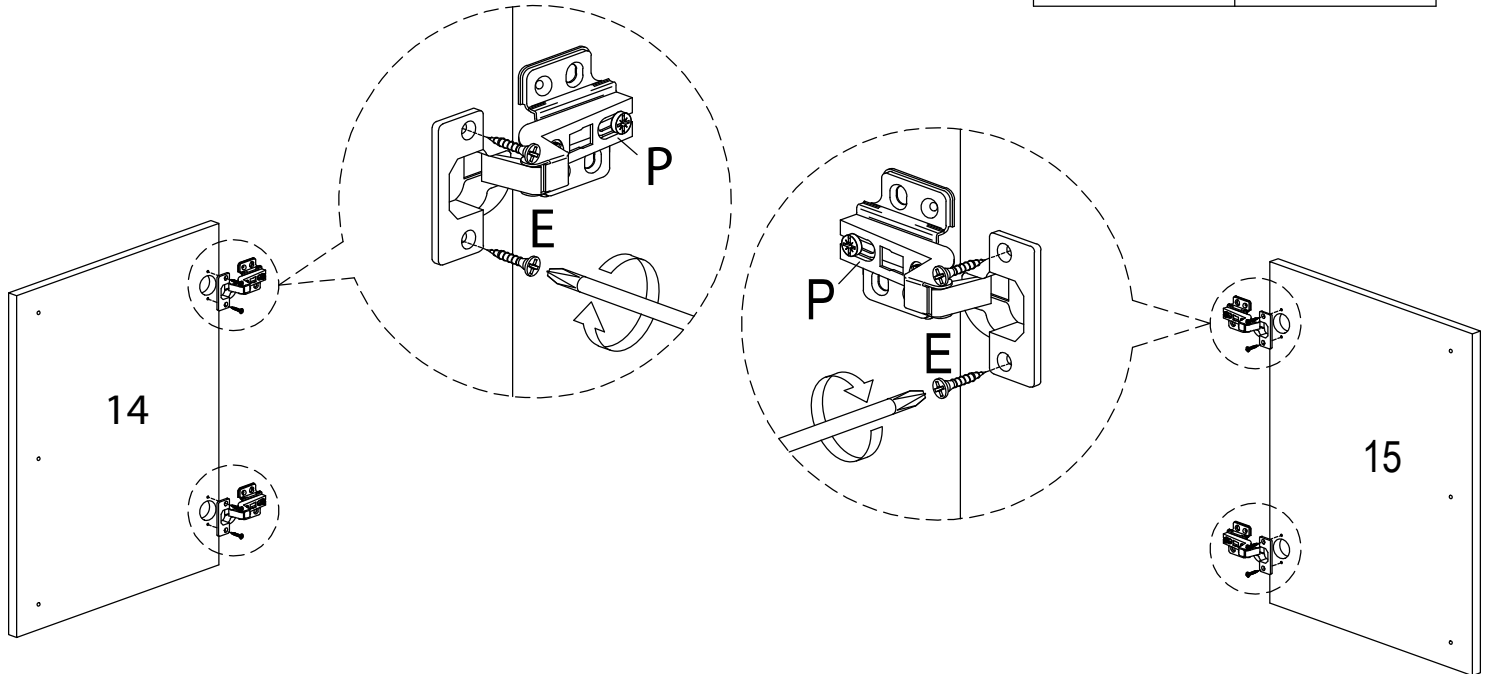
Place panels 6, as shown.



# Step 17



Assemble hinges (P) onto panel (14) & (15). Insert 2pcs screw (E) for each hinges (P) to fix them. Fully tighten by using screw driver. (As Shown).

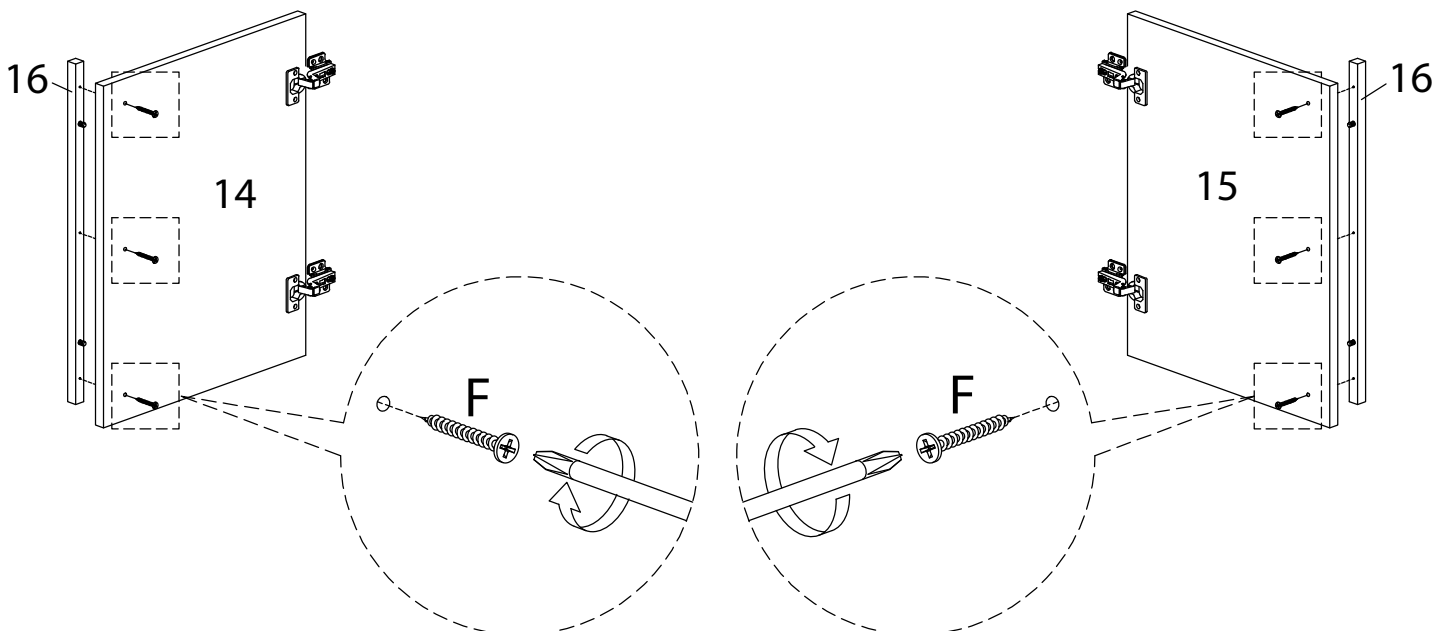
 x 8	 x 4
 M3.5x16mm Screw	 Hinges 7/8



# Step 18

Assemble panel (16) by insert the wood dowel into the non-thru holes at the front of panel (14) & (15). Insert 3pcs screw (F) for each panel (16) to fix them. Fully tighten by using screw driver. (As shown).

 x 6
 M4x28mm Screw



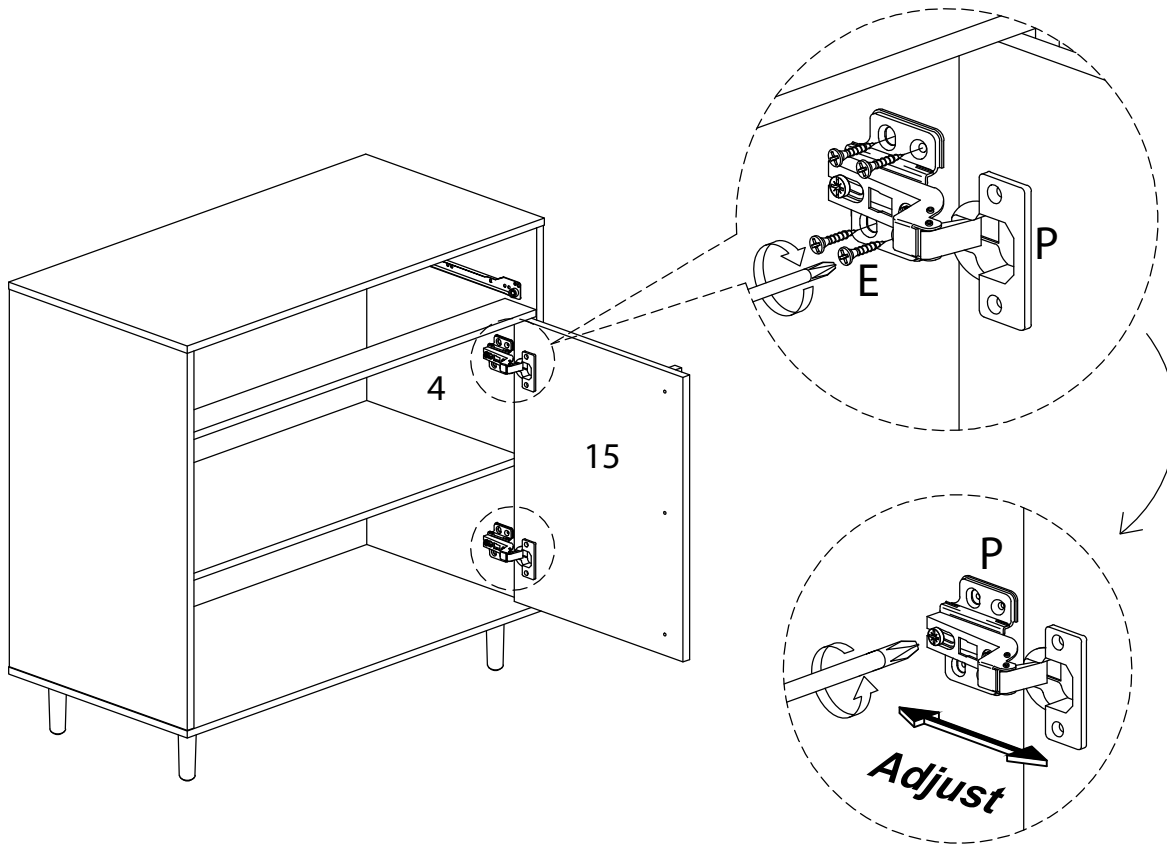
# Step 19

Assemble panel (15) onto panel (4). Fix the hardware ((P)) by using screw ((E)).  
(As shown).

(E) x 8



M3.5x16mm  
Screw



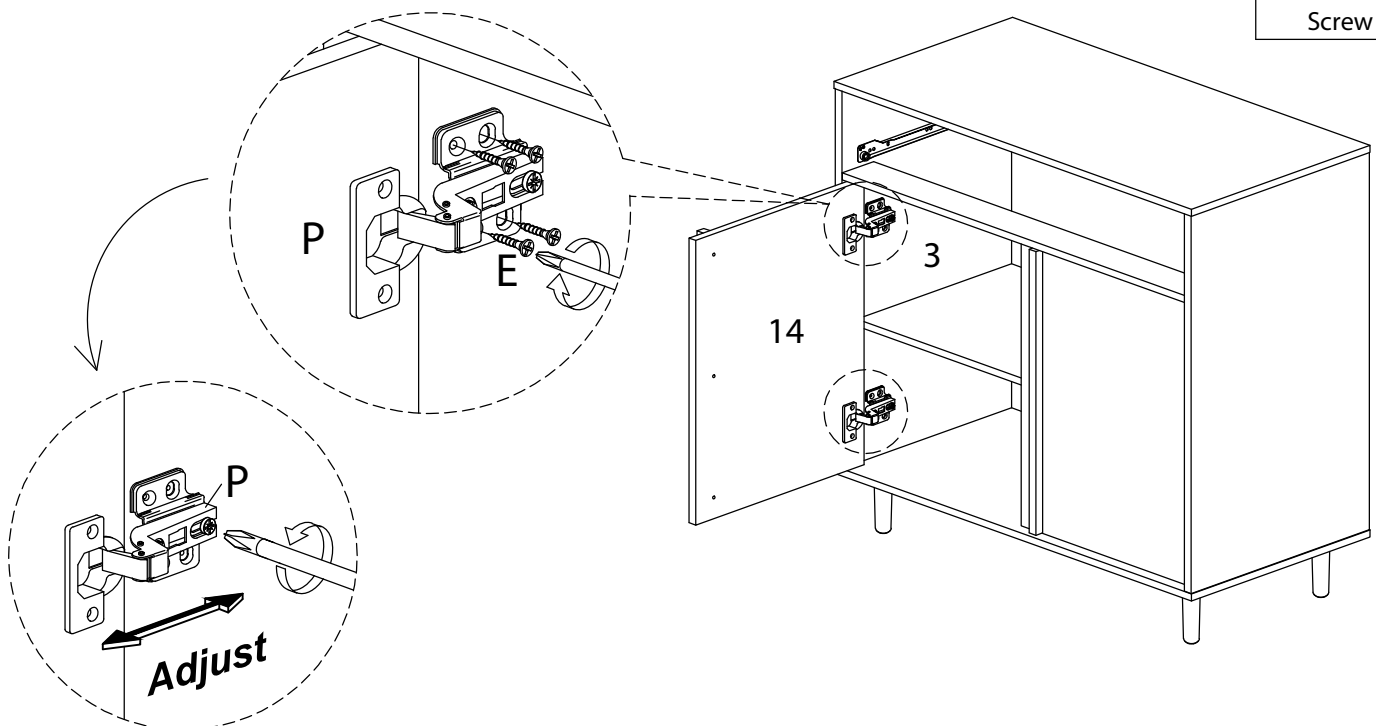
# Step 20

Assemble panel (14) onto panel (3). Fix the hardware ((P)) by using screw ((E)).  
(As shown).

(E) x 8







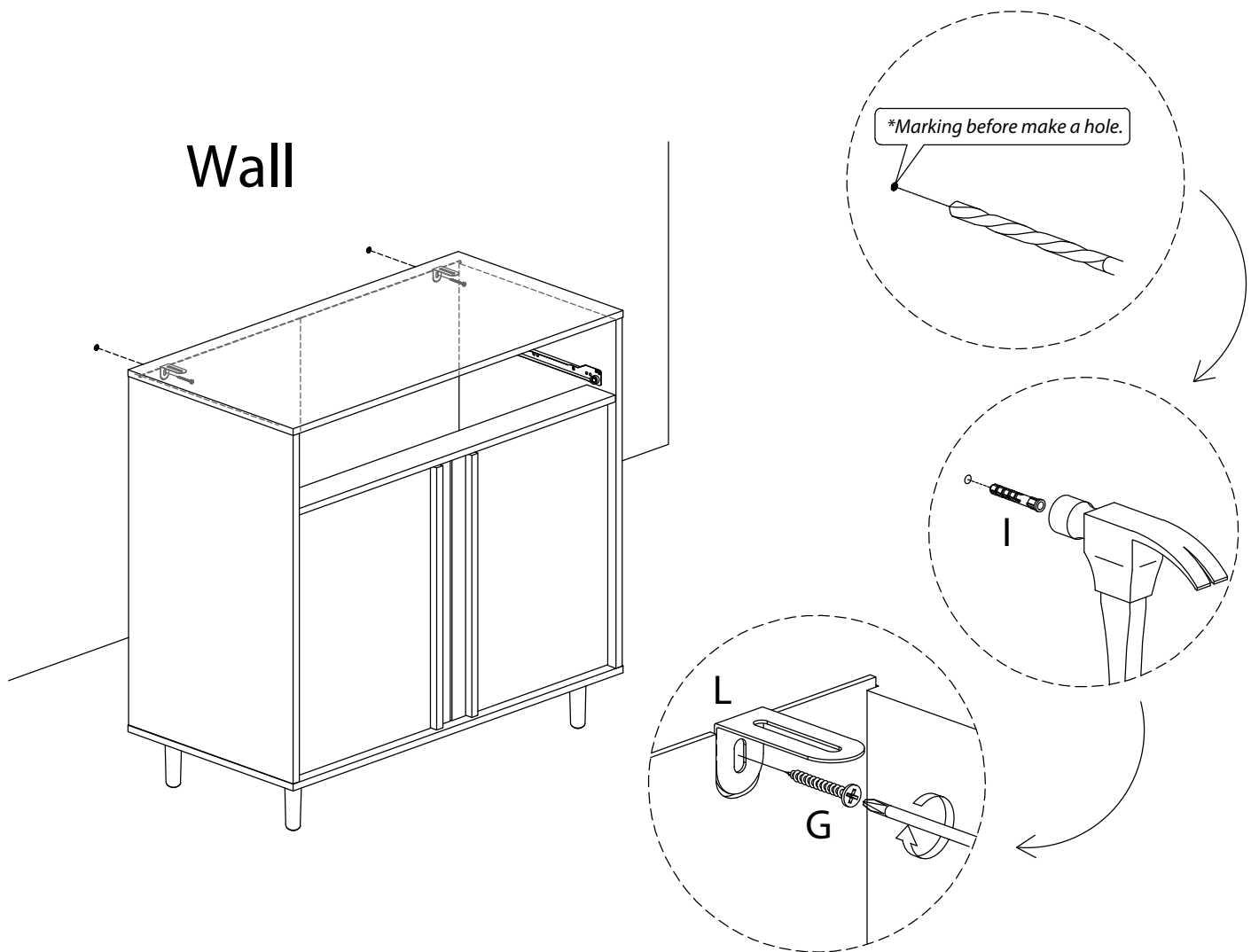
M3.5x16mm  
Screw



# Step 21


- \* Locate a stud in the wall behind the unit, does not have to be centered.
- \* Marking the wall before make a holes.
- \* Drill a holes at the wall & insert wall plug (I).
- \* Close the cabinet to the wall.
- \* Insert screw (G) onto bracket (L) & tighten with screw driver.(As shown).

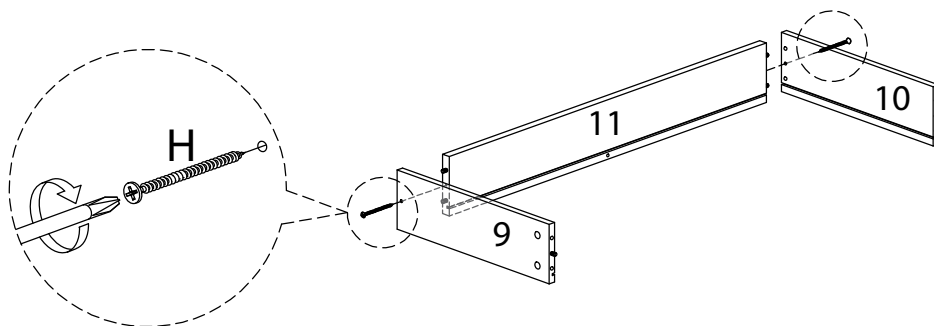
 x 2	 x 2
 M4x38mm Screw	 Ø6x25mm Wall Plug



# Step 22


Assemble drawer panel (9) & (10) onto panel (11) by slightly hammering the wood dowels. Insert screw (H) to fix them. Fully tighten by using screw driver. (As shown).

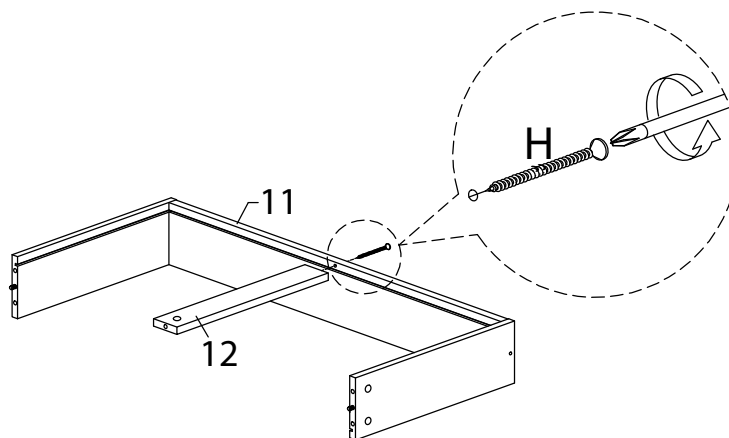
(H) x 2
 M4x45mm Screw



# Step 23

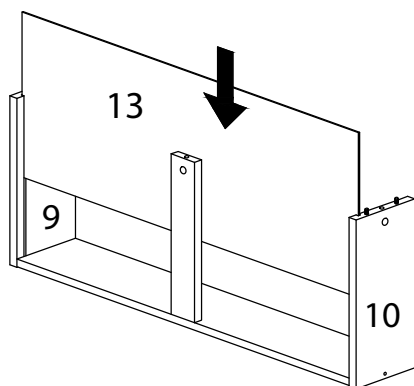
Assemble panel (12) onto panel (11). Insert screw (H) to panel (11) & fully tighten by using a screw driver. (As shown).

(H) x 1
 M4x45mm Screw



# Step 24

Slot in panel (13) into groove of panel left (9) & (10) as shown.



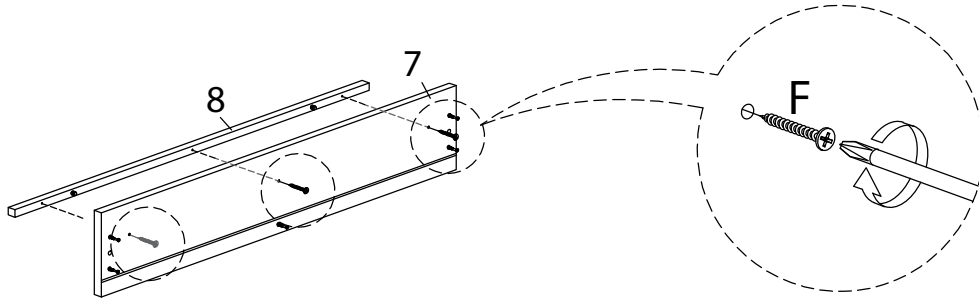
# Step 25

Attach panel (8) onto panel (7). Insert screw (F) to fix them. Fully tighten by screw driver. (As shown).

(F) x 3



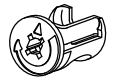
M4x28mm  
Screw



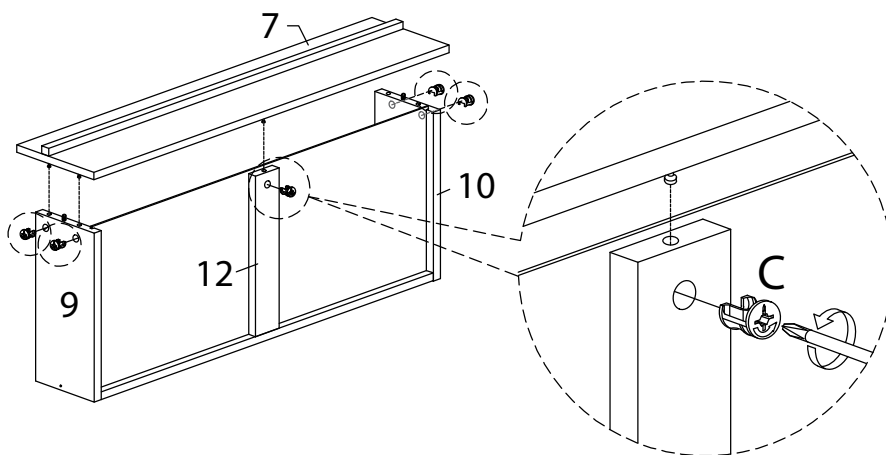
# Step 26

Attach panel (7) onto panel (9), (10) & (12) by slightly hammering the wood dowels. Insert the minifix (C) and then tighten them clockwise in order to lock minifix up. . (As shown).

(C) x 5









Minifix

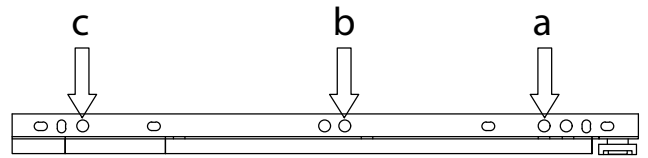
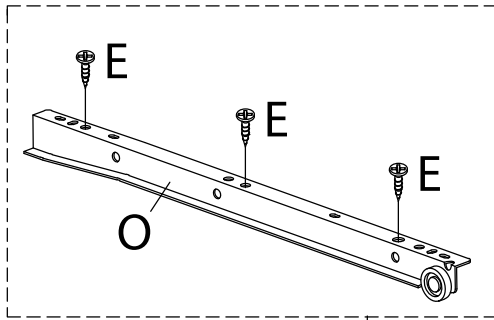


# Step 27

Install DL on panel (9) and DR on panel (10) strictly following the holes as shown on detailed picture.

Note : Please find steel seal on CL, CR on rails.

 x 6	 x 1	 x 1
 M3.5x16mm Screw	 Drawer slide DL	 Drawer slide DR

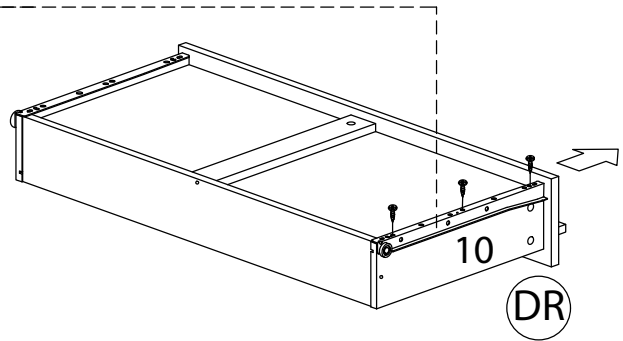
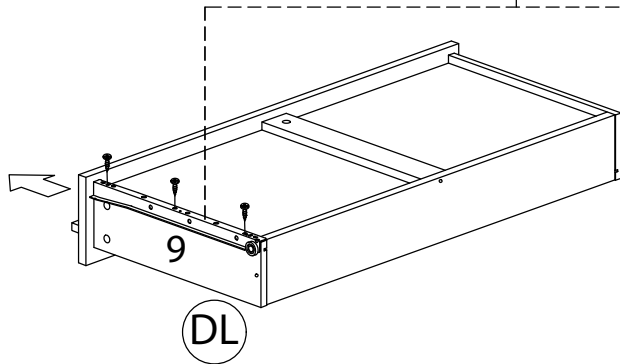


# Screw in hole a, b and c

# DL for panel # 

DR for panel 

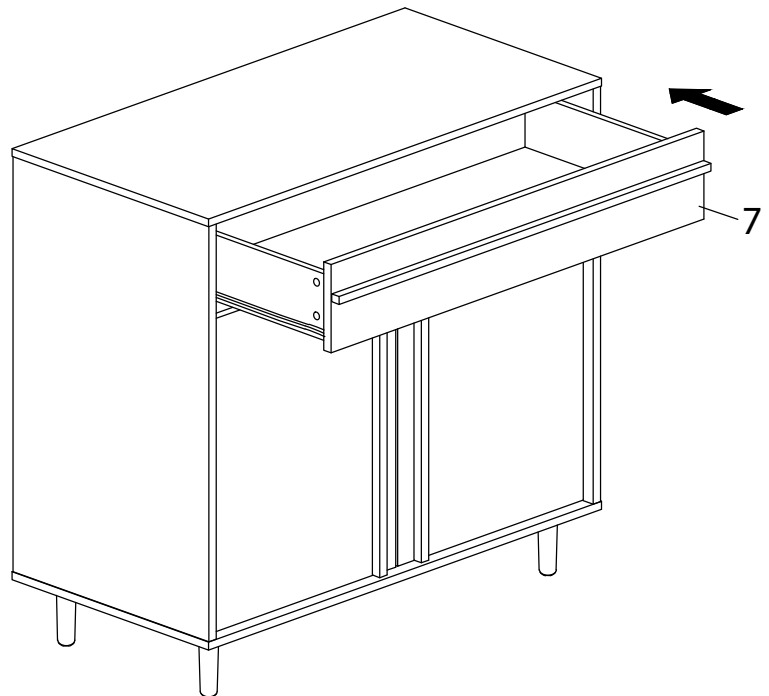
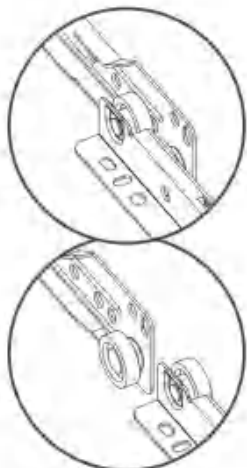
# Find steel seal of CR, CL, DR, DL on rail



# Step 28

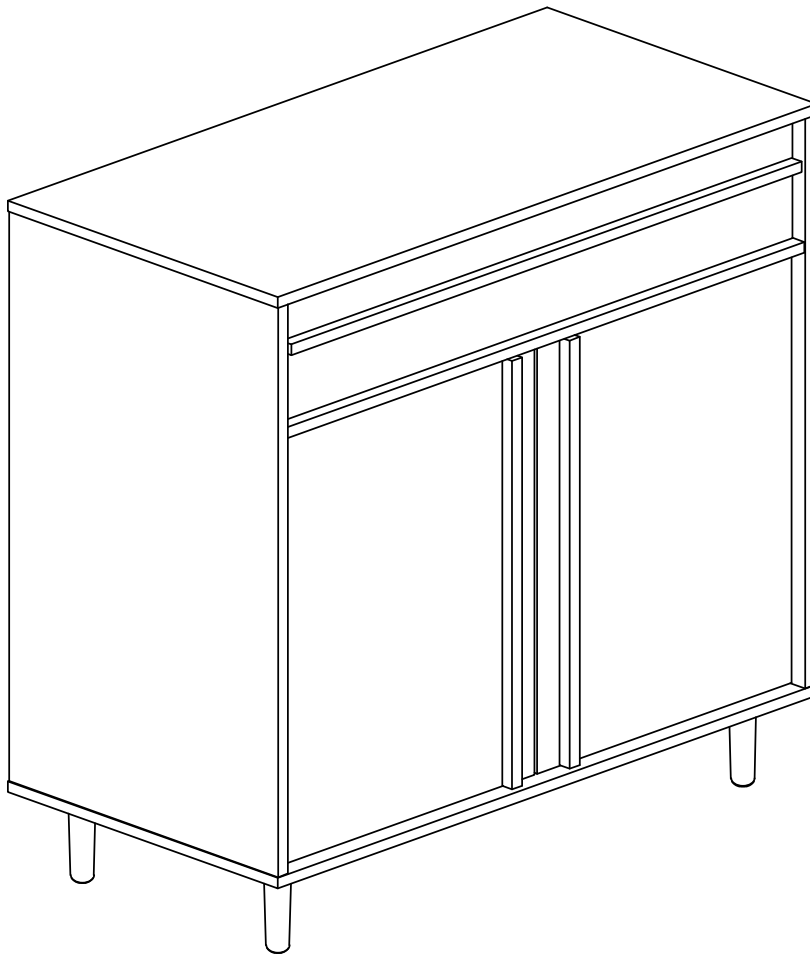
Take the drawer, and slide in.

**The white rollers at drawer slide at both side of drawers are to go into the track of the slide at each side panel.**



# VOILA!

Now enjoy.



## Warning

DO NOT climb, sit or stand on the Cabinet as this may damage the product and cause serious bodily injury

# Something not right?

We are always here to help.

We make mistakes like every human does.

Though we always strive to provide the best possible products at competitive prices and the best service in the industry, it's not possible to completely eliminate mistakes. If you experience any dissatisfaction, feel free to contact us immediately. Our in-house customer care team will respond ASAP.

Things to do to expedite the process

- Have your order# ready
- Take photos/videos to help us better identify the issues
- DO NOT throw away the packaging