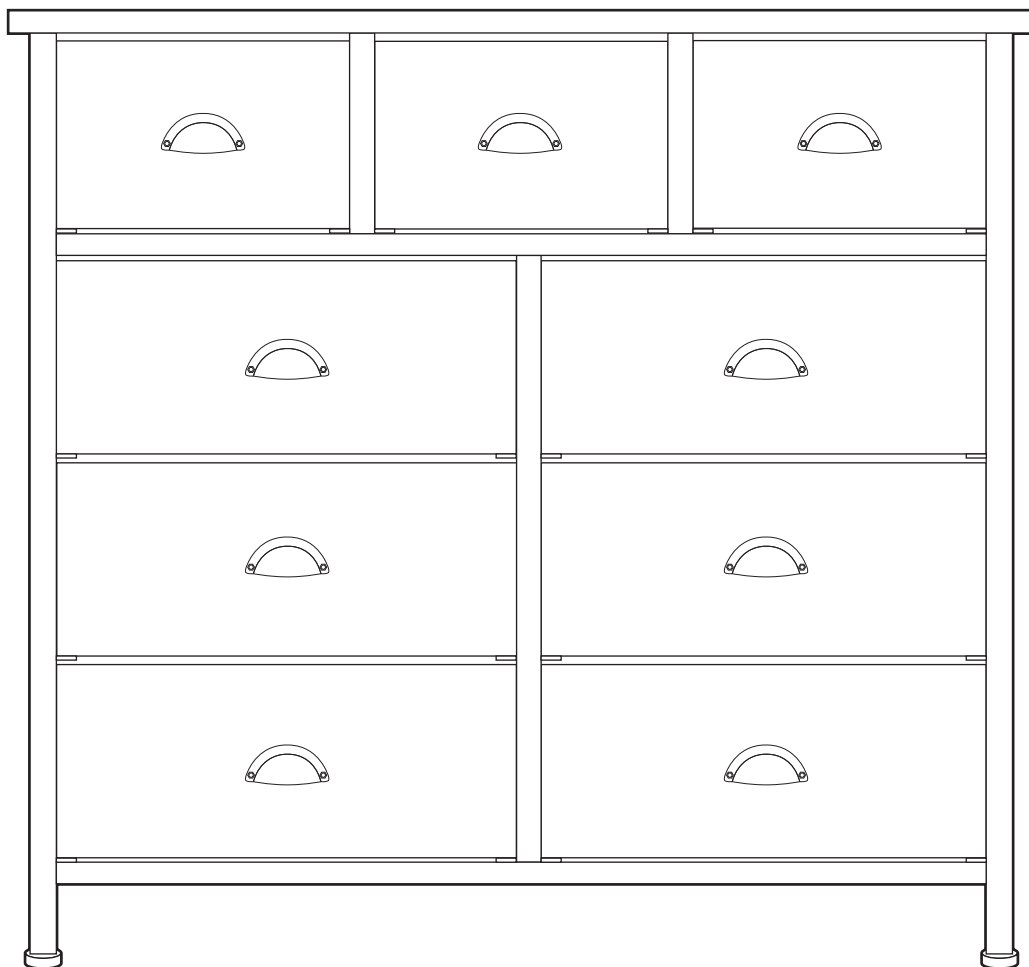




SORBUSTM

9 Drawer Storage



www.sorbushome.com
©Sorbus | Made in China

Package Contents:

A Wood Top 1PC	B Frame 1PC	C Frame 2PCS	D Frame 1PC	E Frame 1PC	F Frame Pole 2PCS	G Pole 2PCS
H Rear Bars 2PCS	I Hex Key 1PC a b	J Frame Screw 4PCS	K Wood Top Screw (6x10mm) 6PCS	N Drawer 3PCS	O Drawer Insert 3PCS	P Crown Cap 18PCS
		L Rear Screw 6PCS (5x10mm)	M Long Screw 16PCS			Q Handle Screw 18PCS
						R Handle 9PCS

FOR EACH STEP MAKE SURE THE FRAMES ARE FACING THE CORRECT DIRECTION!

1

Notice placement of these holes on the wood top (A) make sure the frames (B,C,D,E) are secured in the correct holes (if not the piece will be assembled backwards and the drawers won't fit).

Step 1: Secure frame (B) to wood top (A) as shown above with wood top screws (K) then tighten with hex key (Ia). The drawer stopper should be facing the back.

2

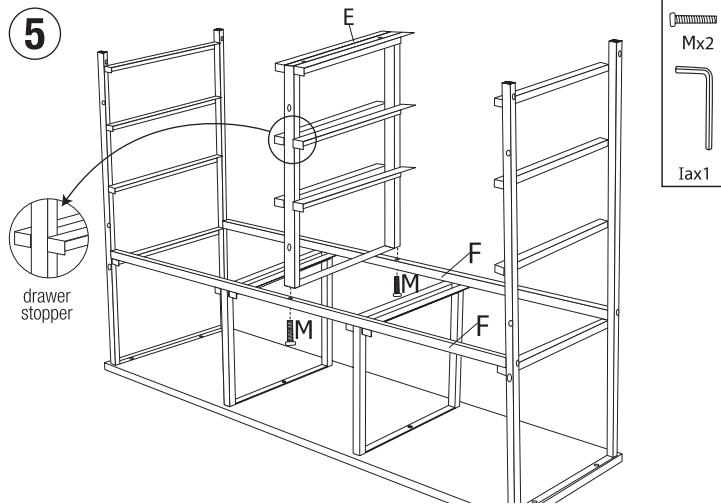
Step 2: Secure frames (C) to wood top (A) as shown above with wood top screws (K) then tighten with hex key (Ia). Make sure the holes of the drawer top and the frame match the picture above. The drawer stopper should be facing the back.

3

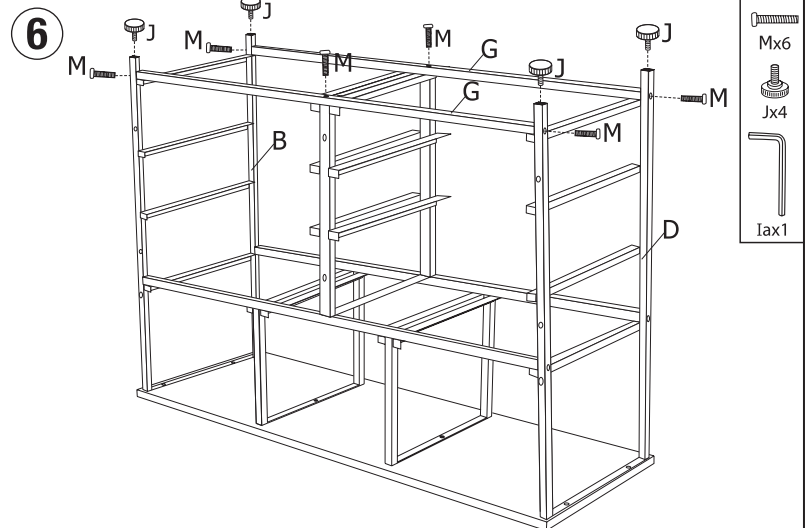
Step 3: Secure frame (D) to wood top (A) as shown above with wood top screws (K) then secure with hex key (Ia). Please make sure the holes of the drawer top and the frame match the picture above. The drawer stopper should be facing the back.

4

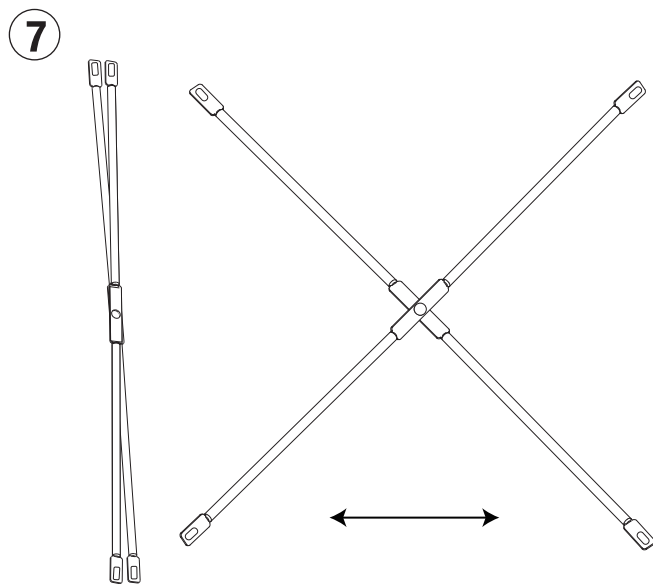
Step 4: Follow guide above. Make sure the small middle hole is facing up. (If not the screws won't fit in.) Position the frame poles (F) into place and secure with long screws (M) and hex key (Ia) as shown.



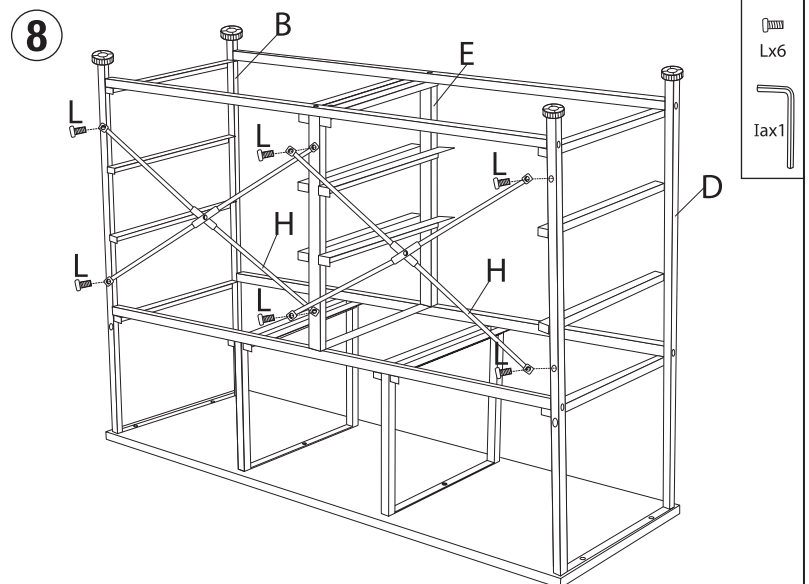
Step 5: Position frame (E) into place and secure to pole (F) with long screws (M) using hex key (Ia). The drawer stopper should be facing the back.



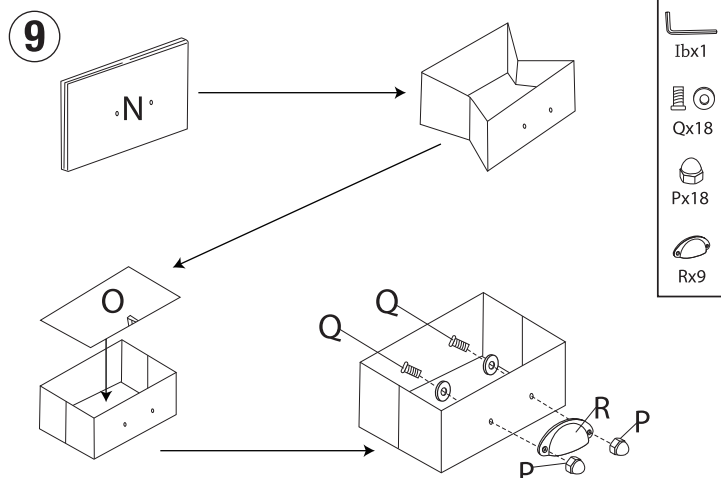
Step 6: Secure poles (G) with long screws (M) using hex key (Ia). Insert frame screws (J) into the legs of frames (B,D), twist until tight.



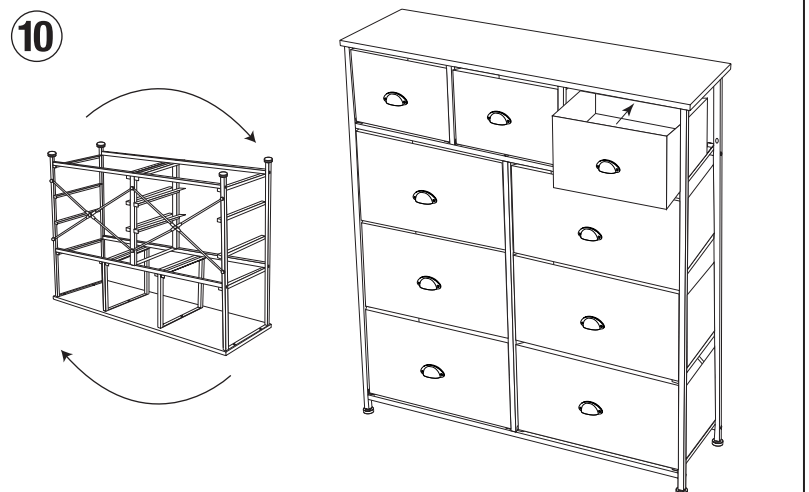
Step 7: Expand rear bars (H). Align to semi-assembled frame.



Step 8: Secure rear bars (H) to frames (B,D,E) using rear screws (L) as shown. Tighten with hex key (Ia).

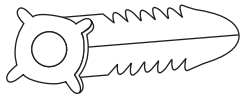


Step 9: Unfold drawers (N) then place drawer insert (O) inside. Secure handle (R) to the drawers (N) using the hex key (Ib), handle screws and washers (Q), and crown cap (P).



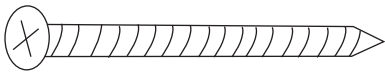
Step 10: Turn over shelf frame. Insert drawers (N) into assembled storage dresser. Make sure everything is tightened & secure before use. Enjoy!

A Wall Anchor



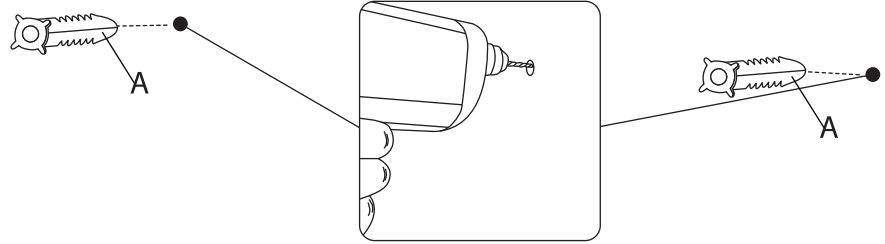
2PCS

B Wall Mount Screw



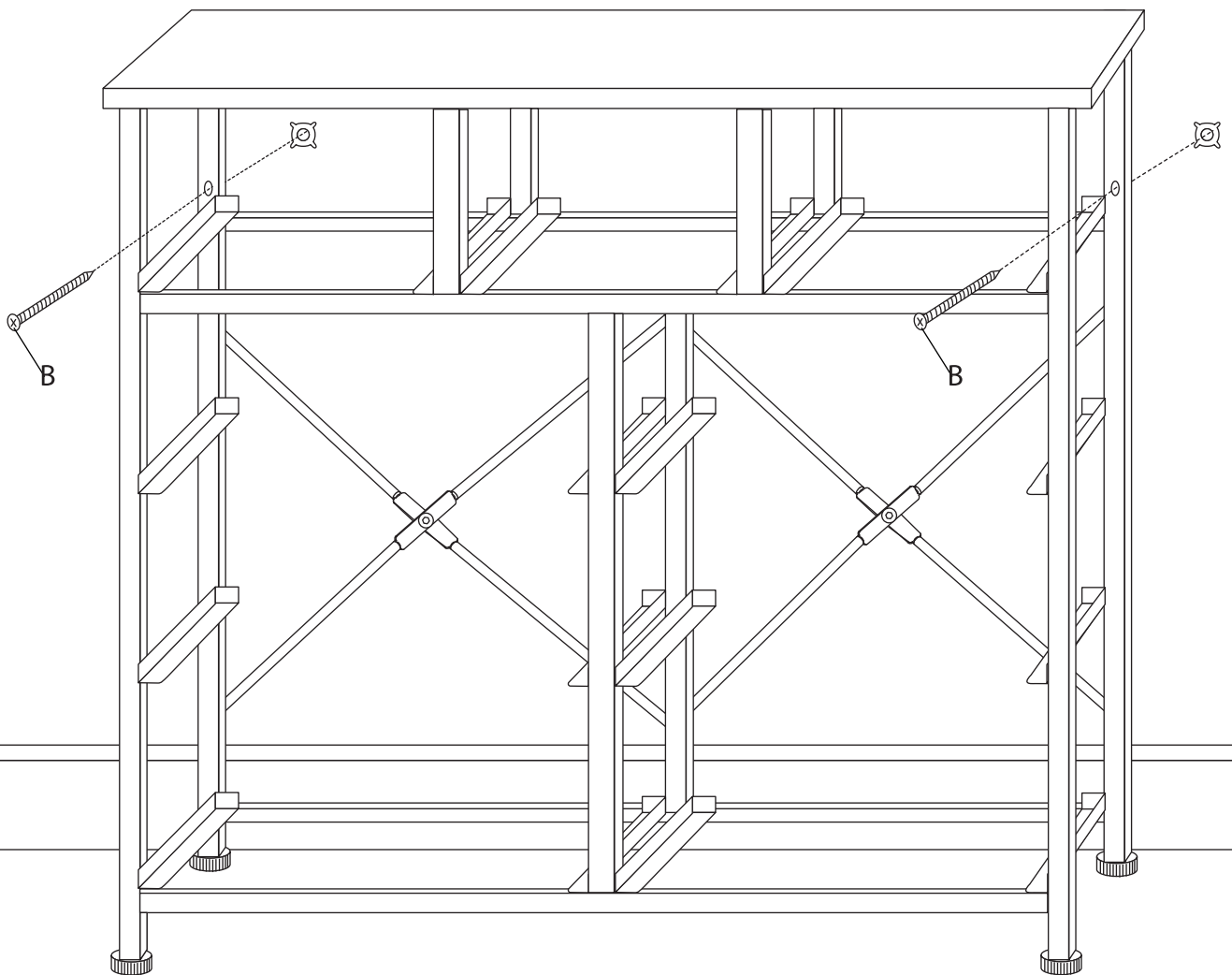
2PCS

1



Step 1: Drill a hole into the wall using a 6mm bit and gently insert the wall anchor (A) with the help of a hammer.

2



Step 2: Place the shelf against the wall, and insert the wall mount screws (B). After making sure everything is secure, feel free to use. Enjoy!