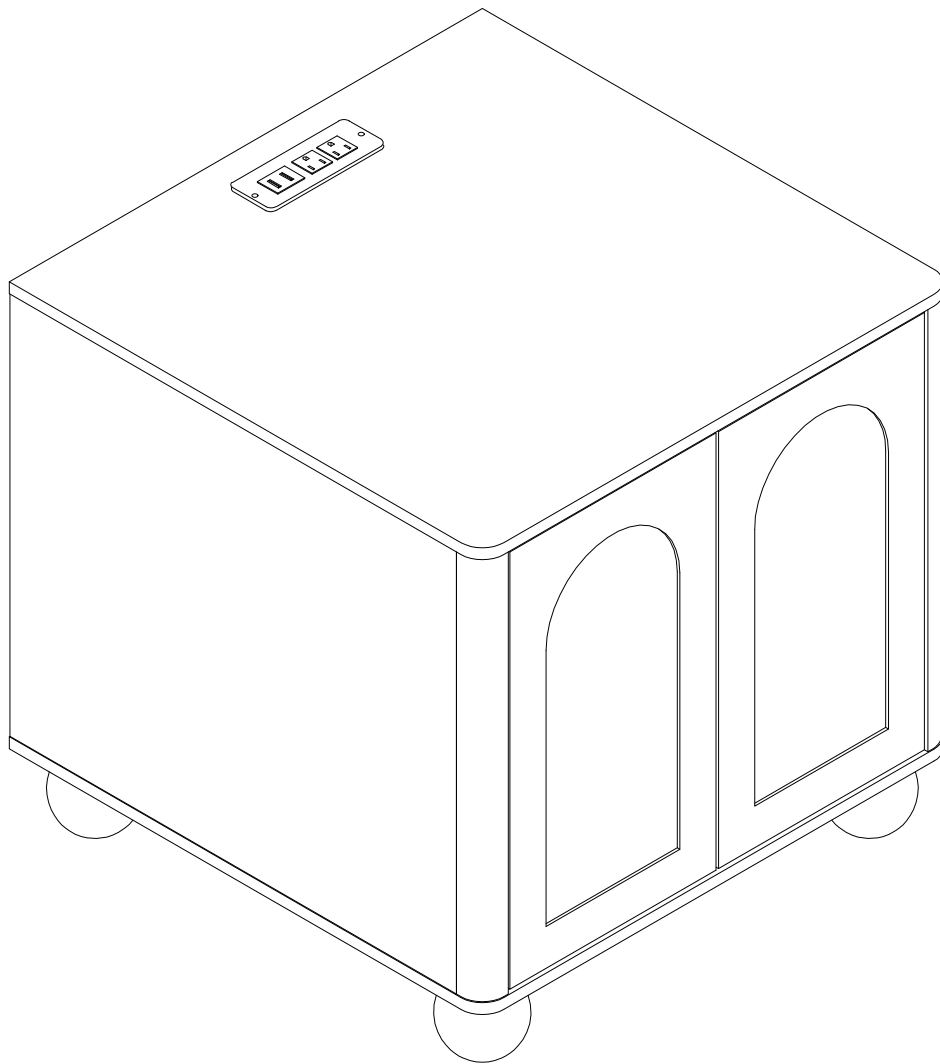


Assembly Instructions

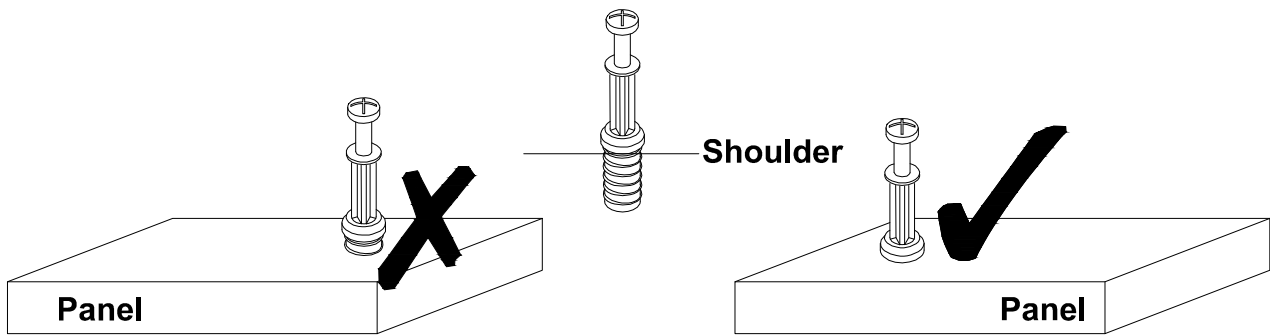


Before Assembly

Tips Before Your Start:

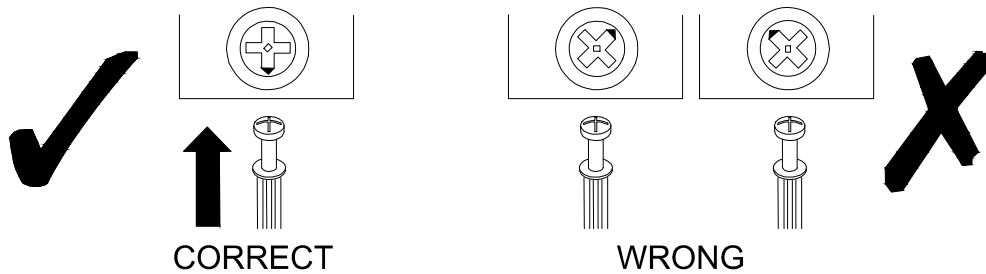
- Remove all wrapping material, including staples & packing straps before you start to assemble.
- DO NOT tighten all screws and bolts until the assembly is completely assembled.
- Keep all hardware parts out of reach of children.

QUICKFIT



Tighten quickfit until shoulder is flush with panel. Do not overtighten or undertighten.

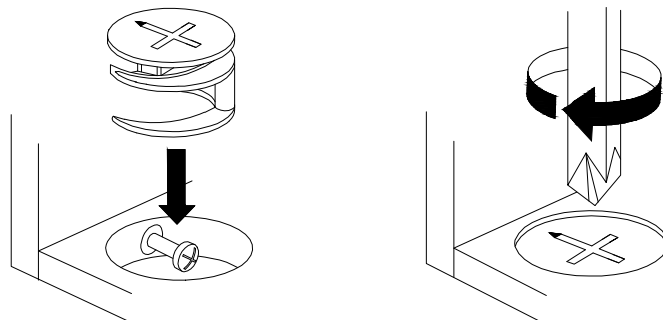
CAM LOCK



When fitting a cam lock, ensure the starting position is correct before inserting the connecting QUI CKFIT




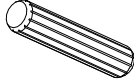
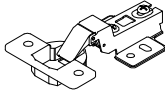
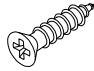
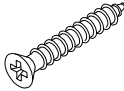
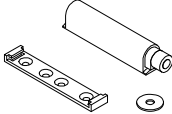


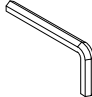
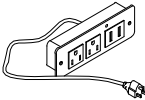
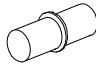
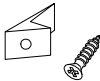
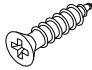
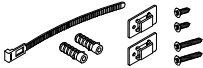
Quickfit head should be in the centre of the cam lock when the two panels are joined.

Cam lock should be inserted before quickfit.

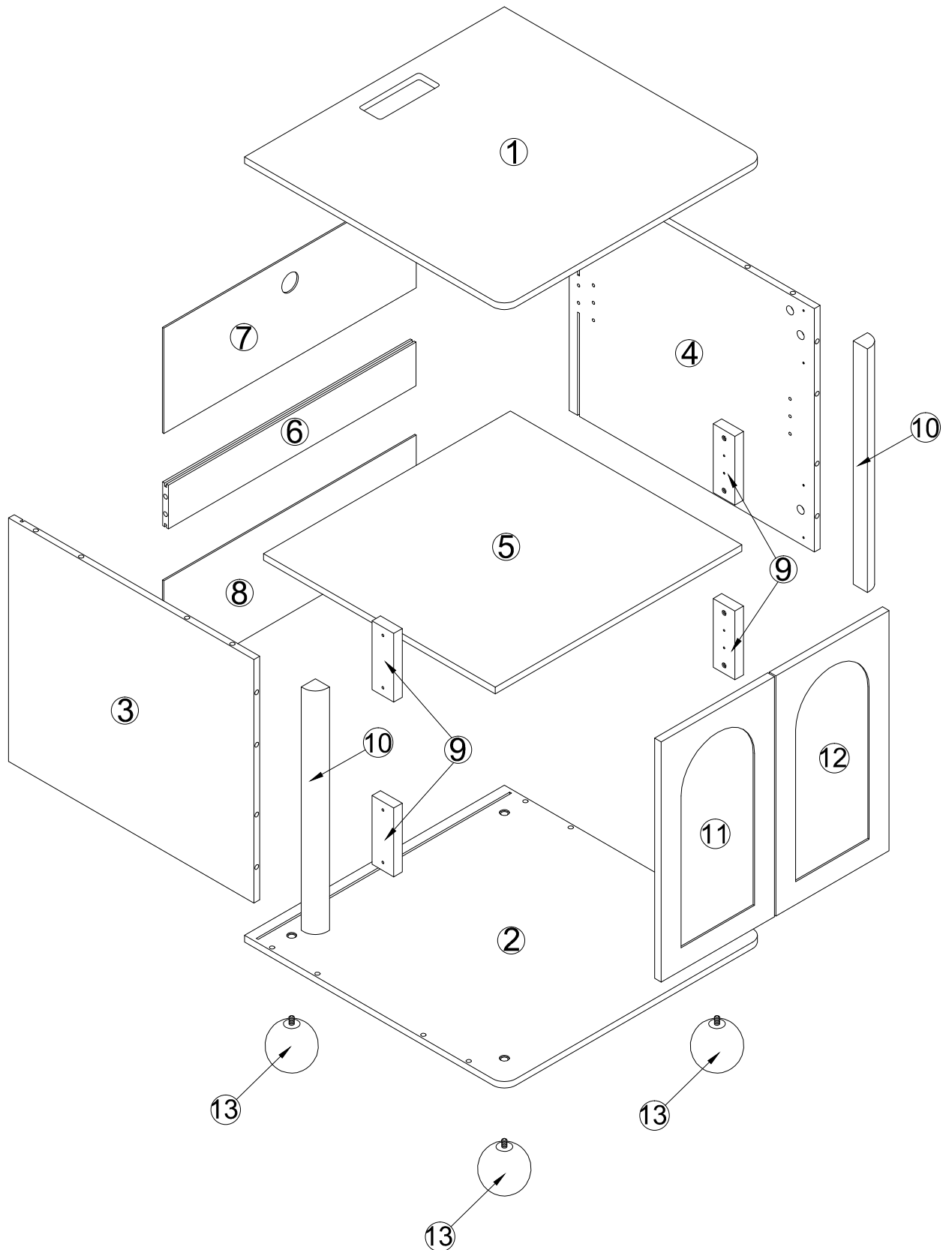


Turn cam lock clockwise to tighten.

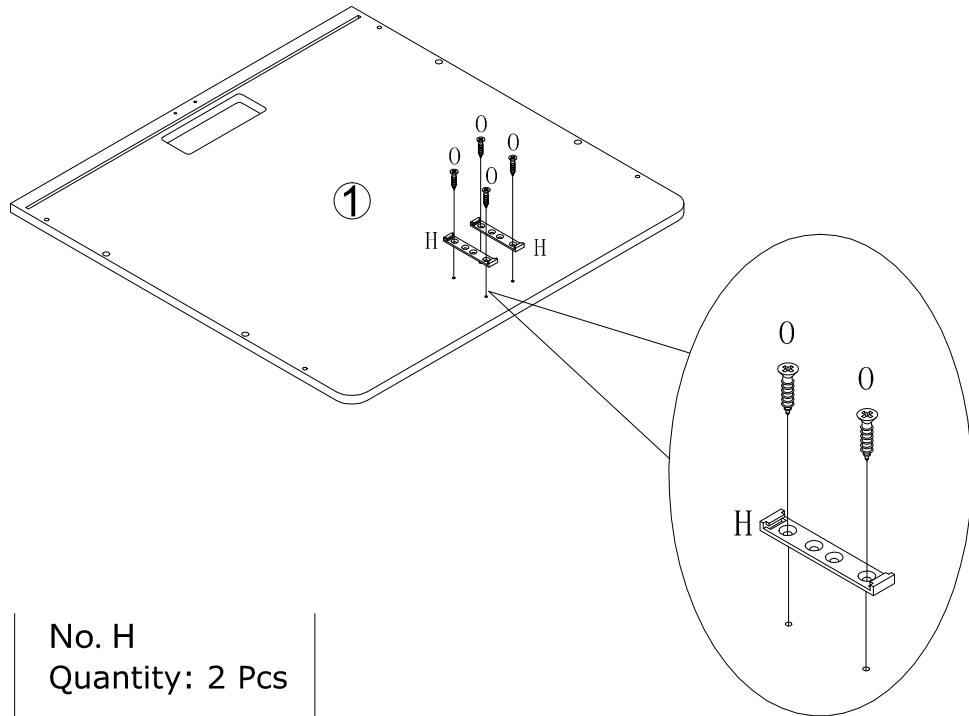
Part List

<p>No. A Quantity:12 Pcs Cam Lock Dowel 8*28mm</p> 	<p>No. B Quantity:12 Pcs Cam φ15</p> 	<p>No. C Quantity:12 Pcs Sticker Ø20</p> 	<p>No. D Quantity:12 Pcs Dowel 8*30mm</p> 
<p>No. E Quantity:4 Pcs Hinge</p> 	<p>No. F Quantity:26 Pcs Screw M3.5*12mm</p> 	<p>No. G Quantity:8 Pcs Screw M3.5*25mm</p> 	<p>No. H Quantity:2 Sets Cabinet Door Rebounder</p> 
<p>No. I Quantity:4 Pcs Slip Mat Ø20</p> 	<p>No. J Quantity:4 Pcs Screw M6*40mm</p> 	<p>No. K Quantity:1 Pcs Allen Key 4#</p> 	<p>No. L Quantity:1 Sets Power strip</p> 
<p>No. M Quantity:4 Pcs Shelf Support M5*15mm</p> 	<p>No. N Quantity:8 Sets Plastic Wedge</p> 	<p>No. O Quantity:6 Pcs Screw M3*12mm</p> 	<p>No. P Quantity:1 Sets Anti-falling Parts</p> 

Product structure



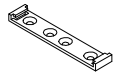
STEP 1



No. O
Quantity: 4 Pcs
M3*12mm

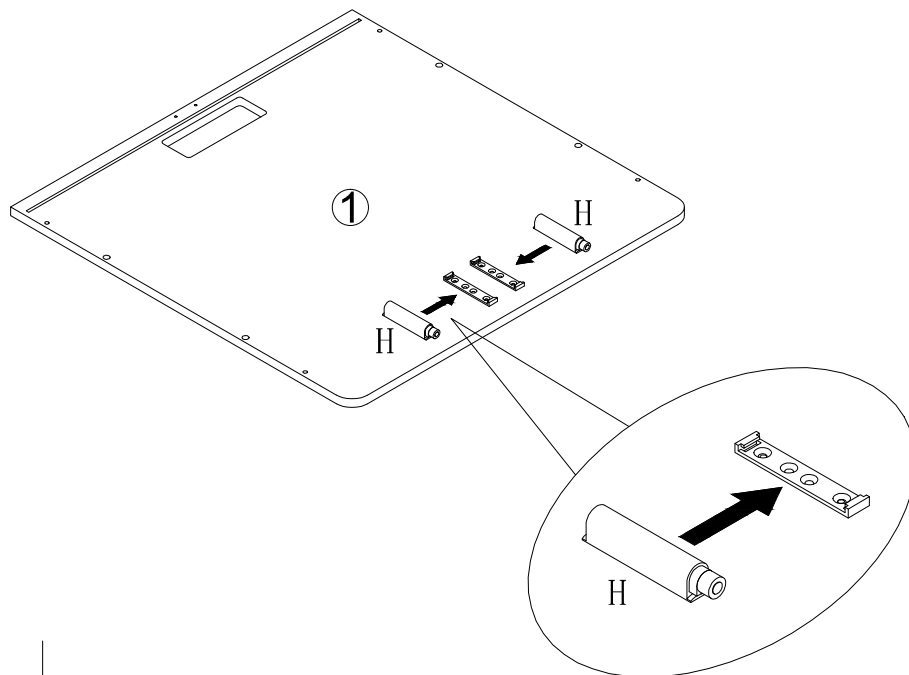


No. H
Quantity: 2 Pcs

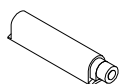


Note: Please distinguish the numbering of the screws.

STEP 2

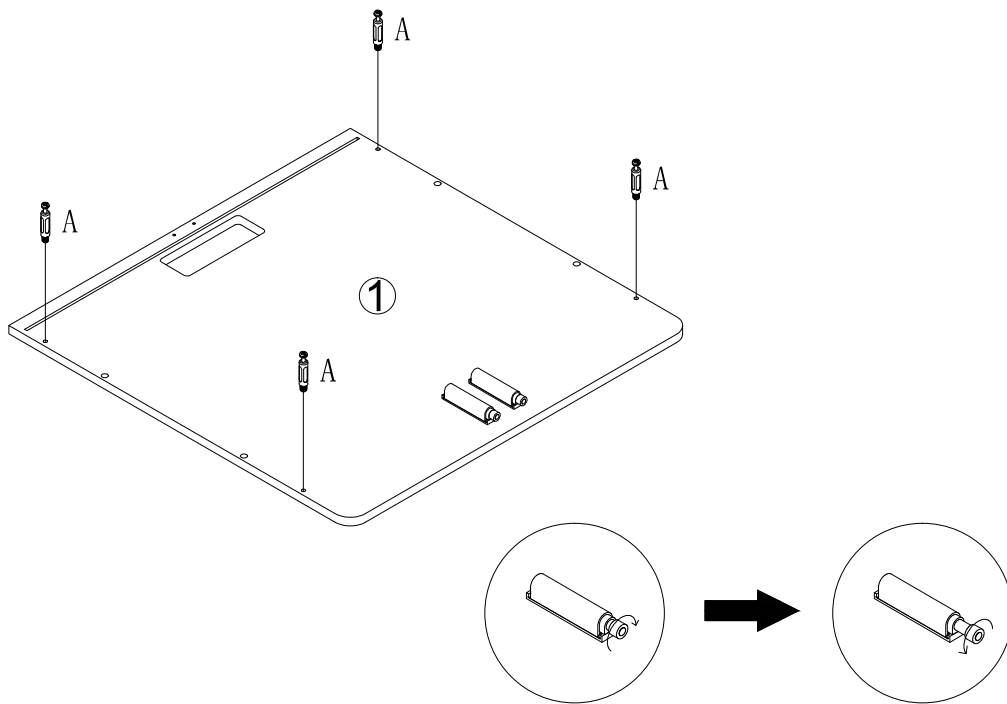


No. H
Quantity: 2 Pcs



Note: Push the accessory into the card slot to complete the installation.

STEP 3

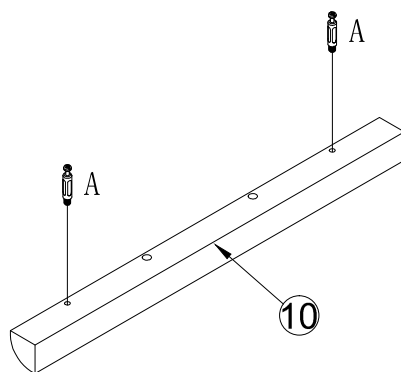


No. A
Quantity: 4 Pcs
8*28 mm



Note: The hardware can be rotated to adjust the length here. If the cabinet body is assembled and the door panel is recessed or protruding, it be adjusted by turning.

STEP 4

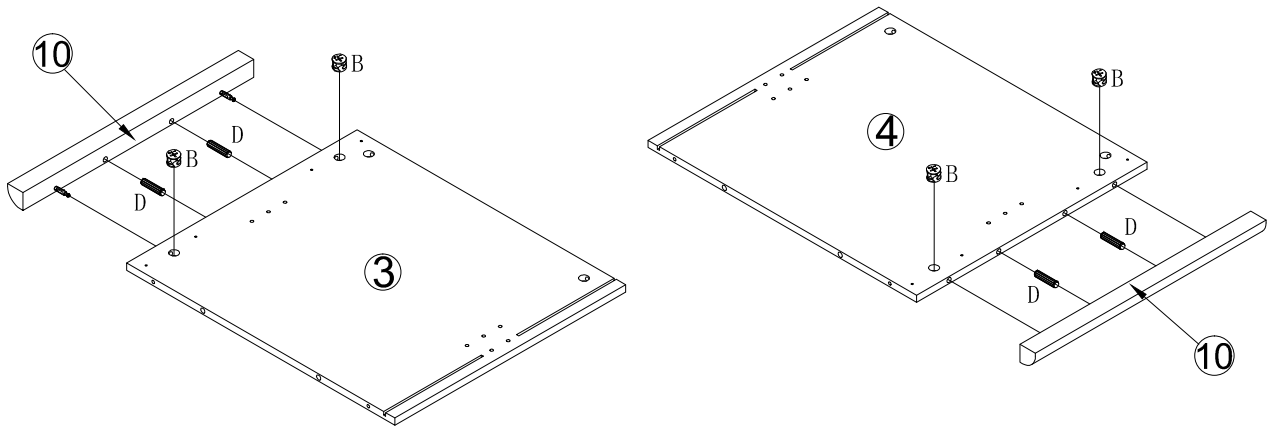


×2

No. A
Quantity: 4 Pcs
8*28 mm



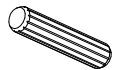
STEP 5



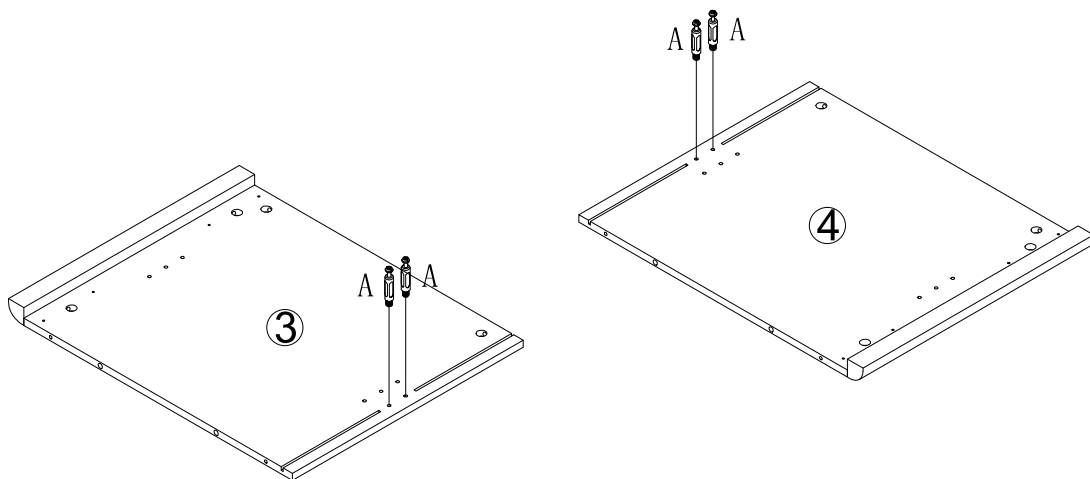
No. B
Quantity: 4 Pcs
Ø15



No. D
Quantity: 4 Pcs
8*30mm



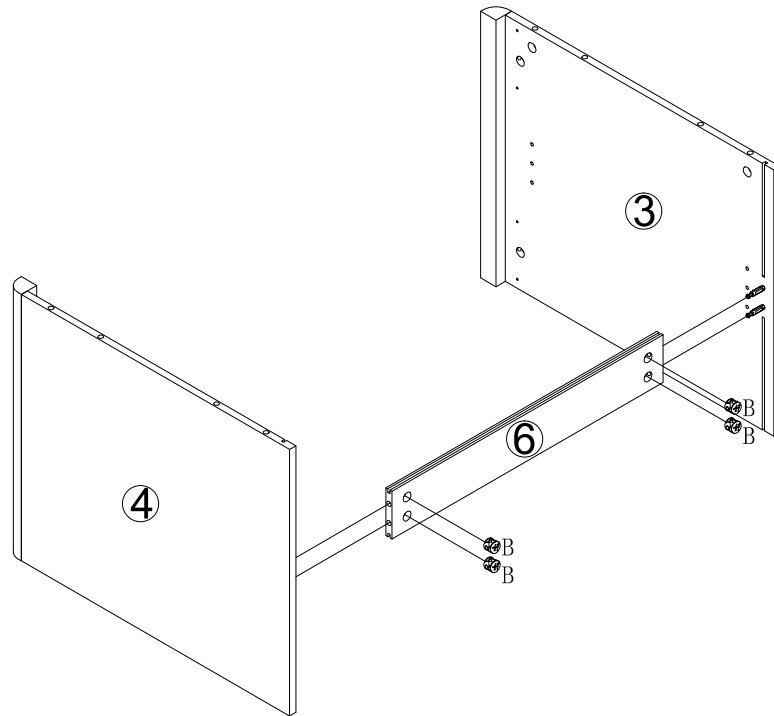
STEP 6



No. A
Quantity: 4 Pcs
8*28 mm



STEP 7

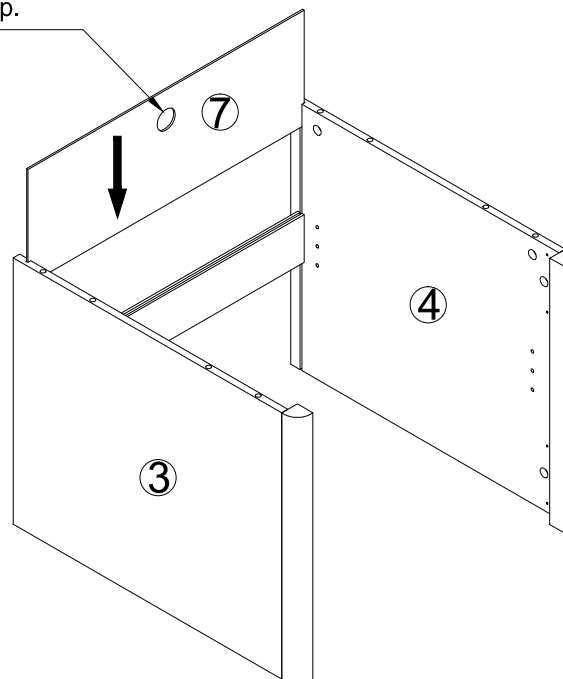


No. B
Quantity: 4 Pcs
Ø15

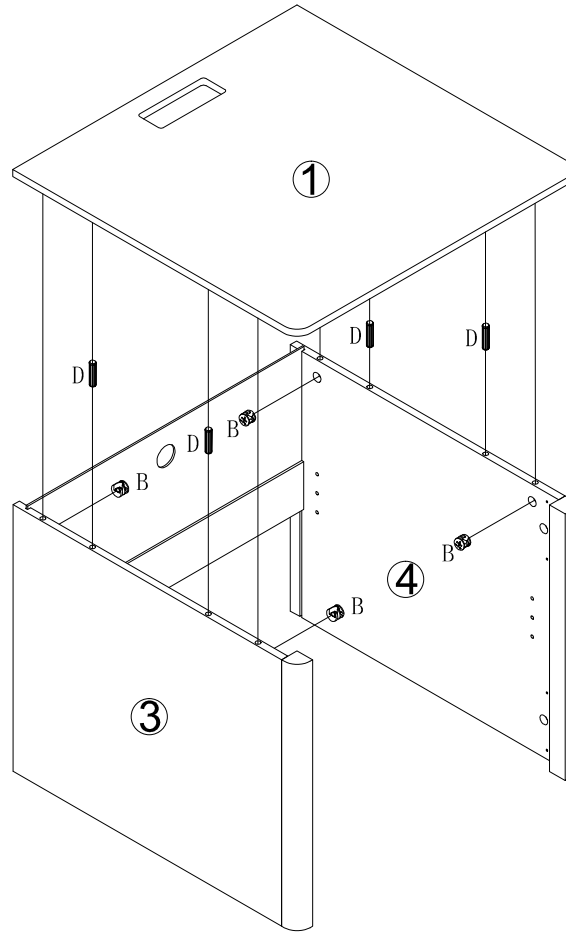


STEP 8

Please note the direction of the hole, the side with less distance should be up.



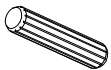
STEP 9



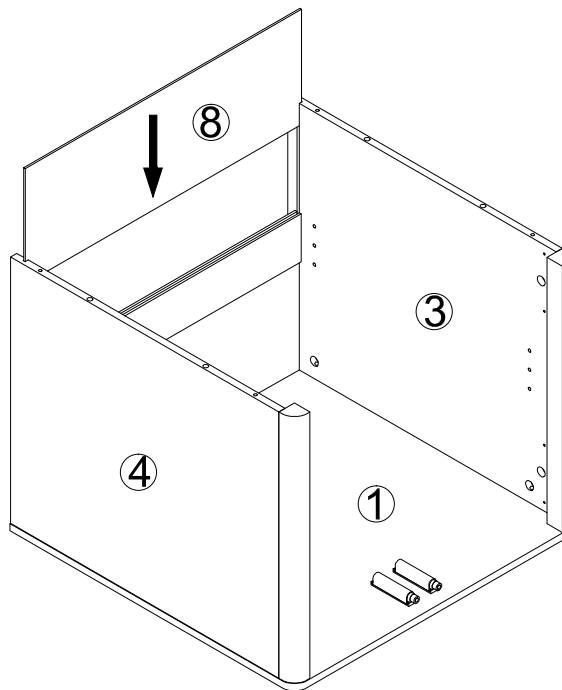
No. B
Quantity: 4 Pcs
Ø15



No. D
Quantity: 4 Pcs
8*30mm

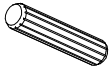


STEP 10



STEP 11

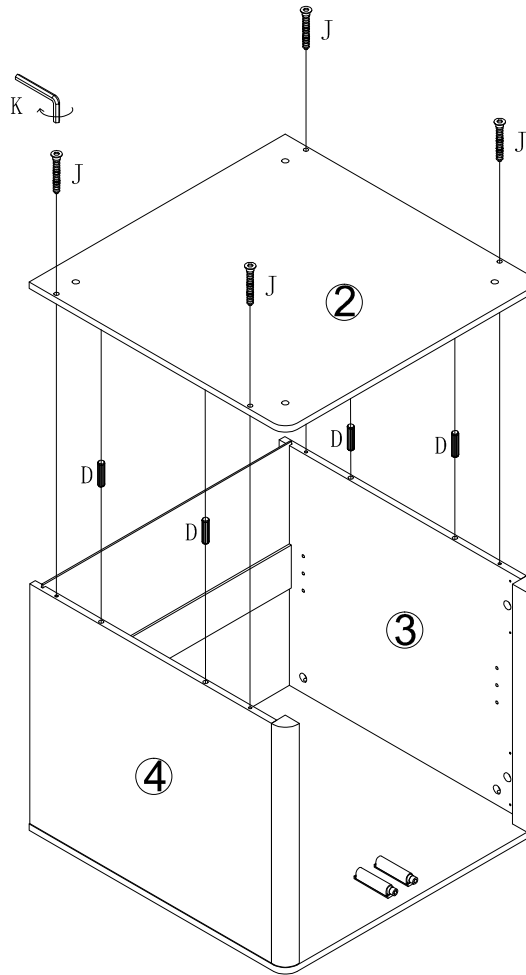
No. D
Quantity: 4 Pcs
8*30mm



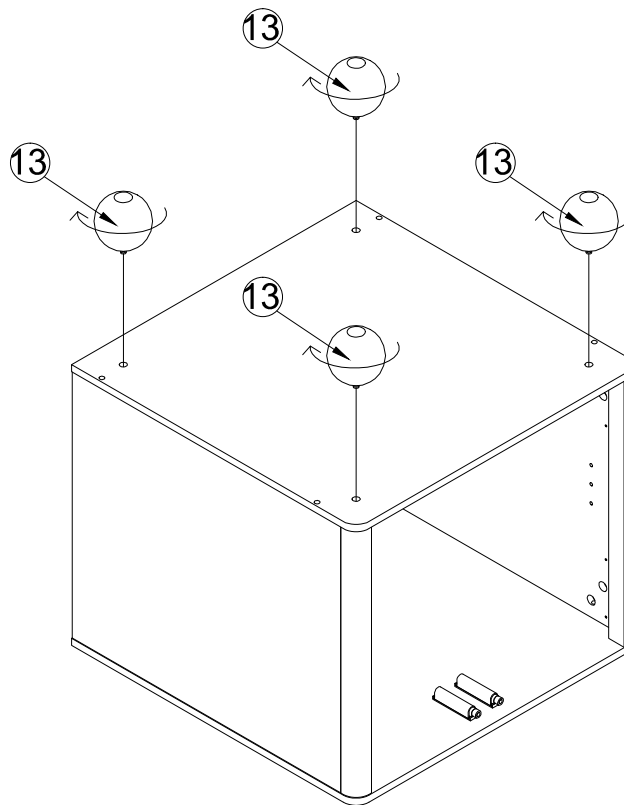
No. J
Quantity: 4 Pcs
M6*40mm



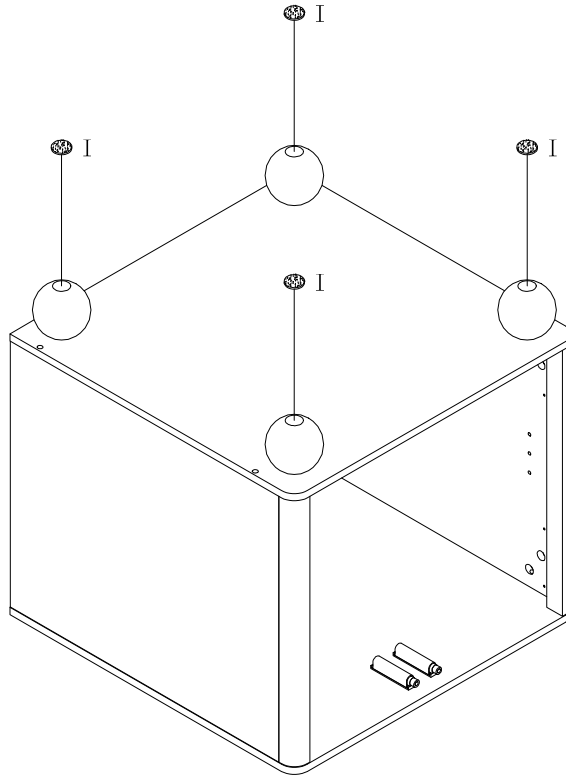
No. K
Quantity: 1 Pcs
4#



STEP 12



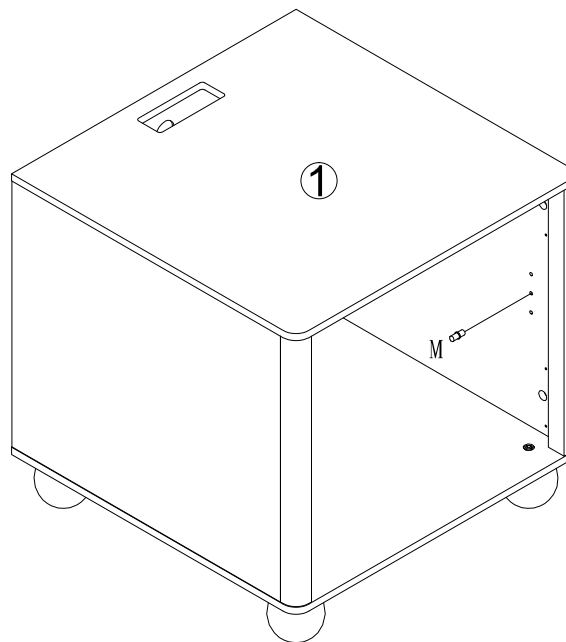
STEP 13



No. I
Quantity: 4 Pcs
Ø20



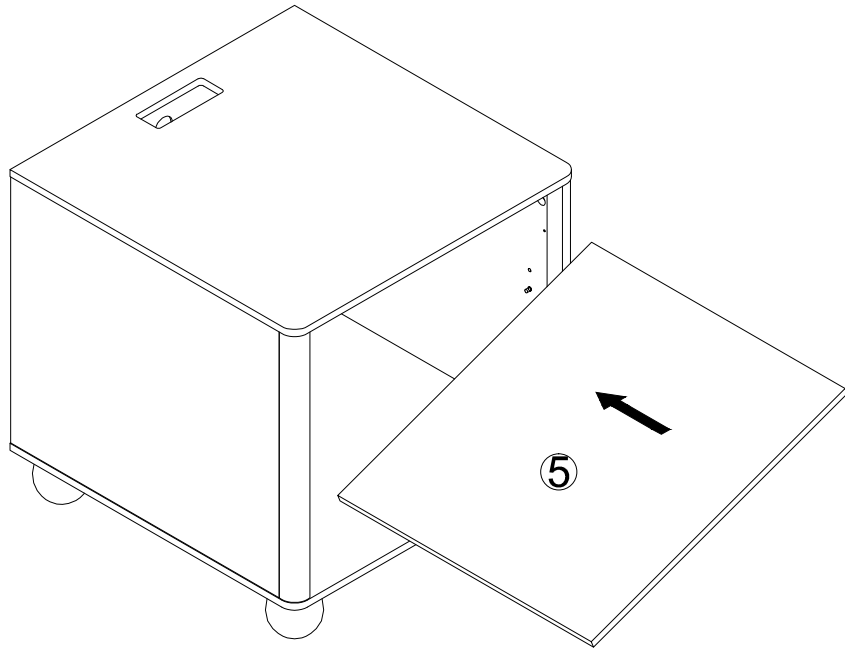
STEP 14



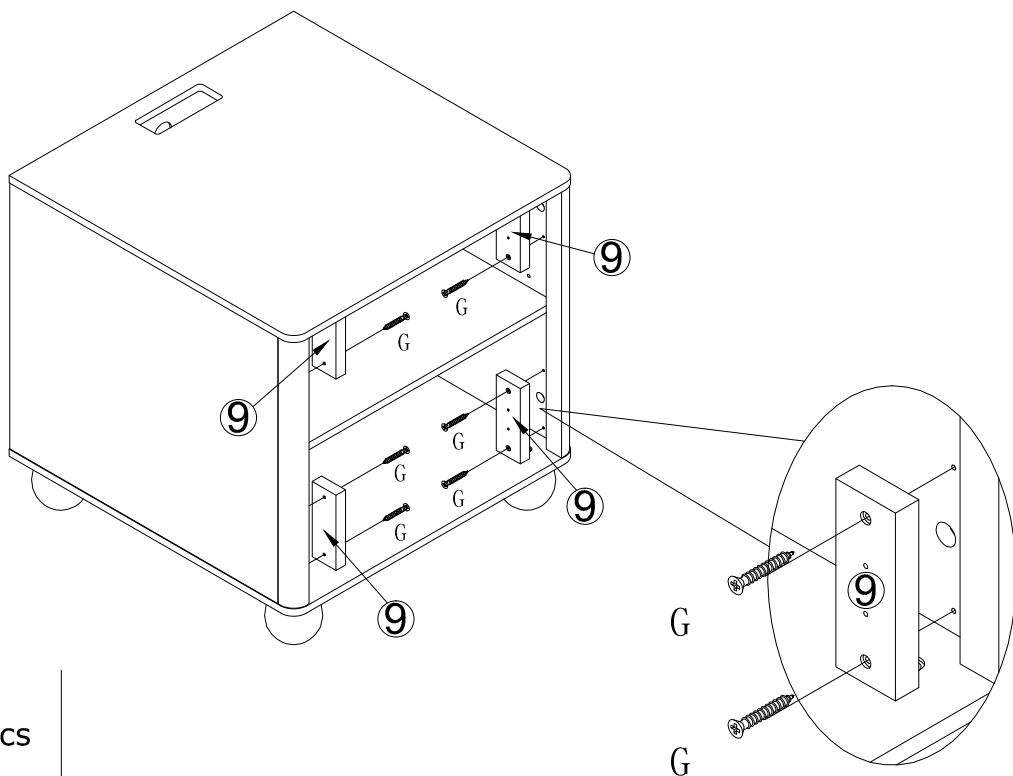
No. M
Quantity: 4 Pcs
M5*15mm



STEP 15



STEP 16

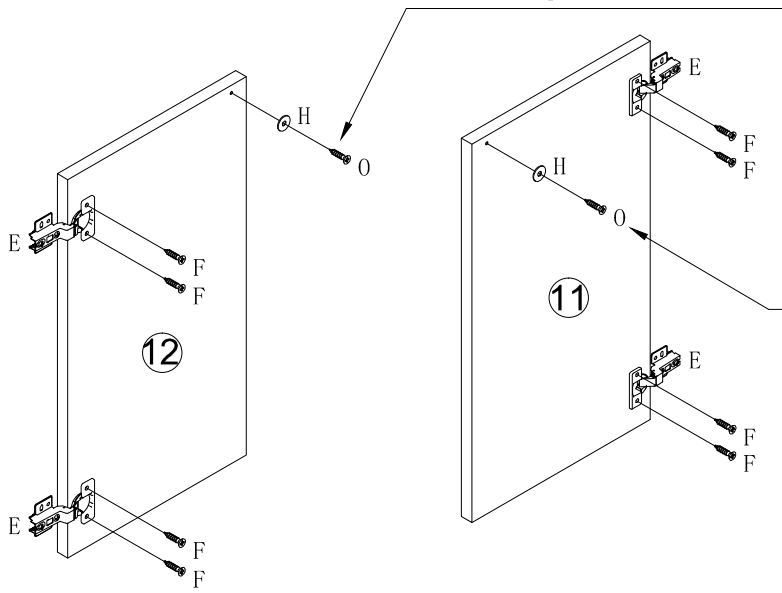


No. G
Quantity: 8 Pcs
M3.5*25mm



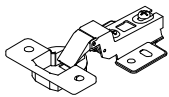
STEP 17

Note: Please distinguish the numbering of the screws.



Note: Please distinguish the numbering of the screws.

No. E
Quantity: 4 Pcs



No. F
Quantity: 8 Pcs
M3.5*12mm



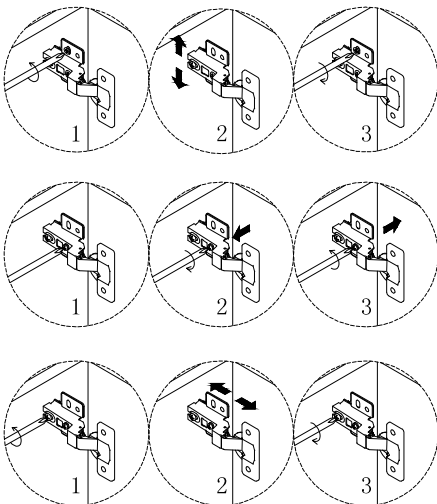
No. H
Quantity: 2 Pcs



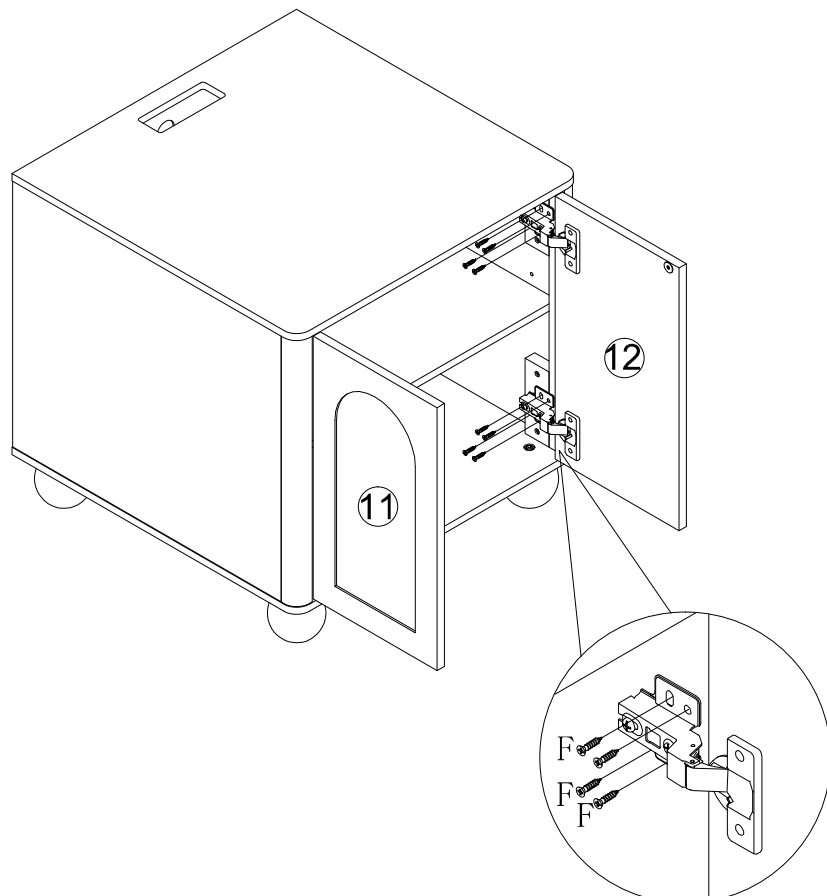
No. O
Quantity: 2 Pcs
M3*12mm



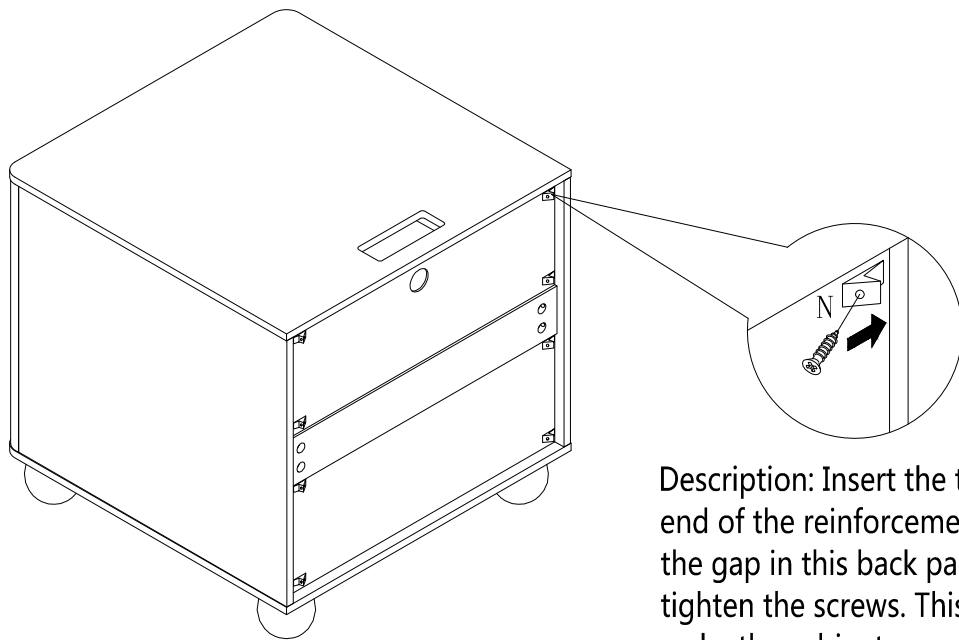
STEP 18



No. F
Quantity: 16 Pcs
M3.5*12mm

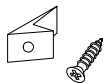


STEP 19

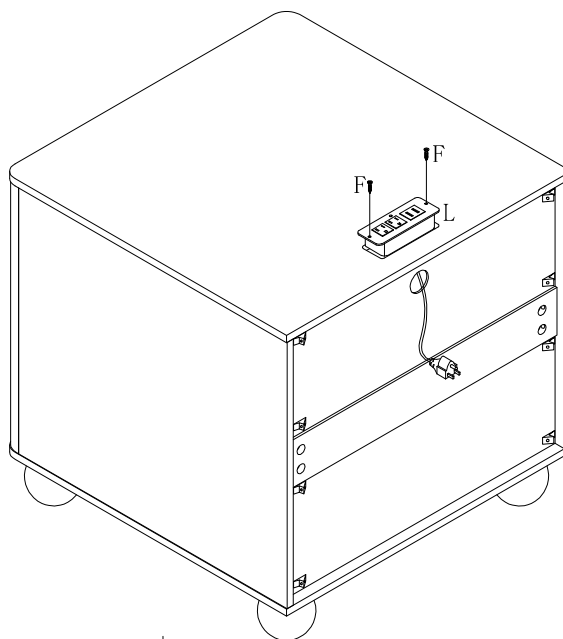


Description: Insert the thinner end of the reinforcement into the gap in this back panel, then tighten the screws. This will make the cabinet more stable.

No. N
Quantity: 8 Sets



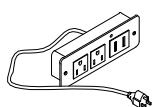
STEP 20



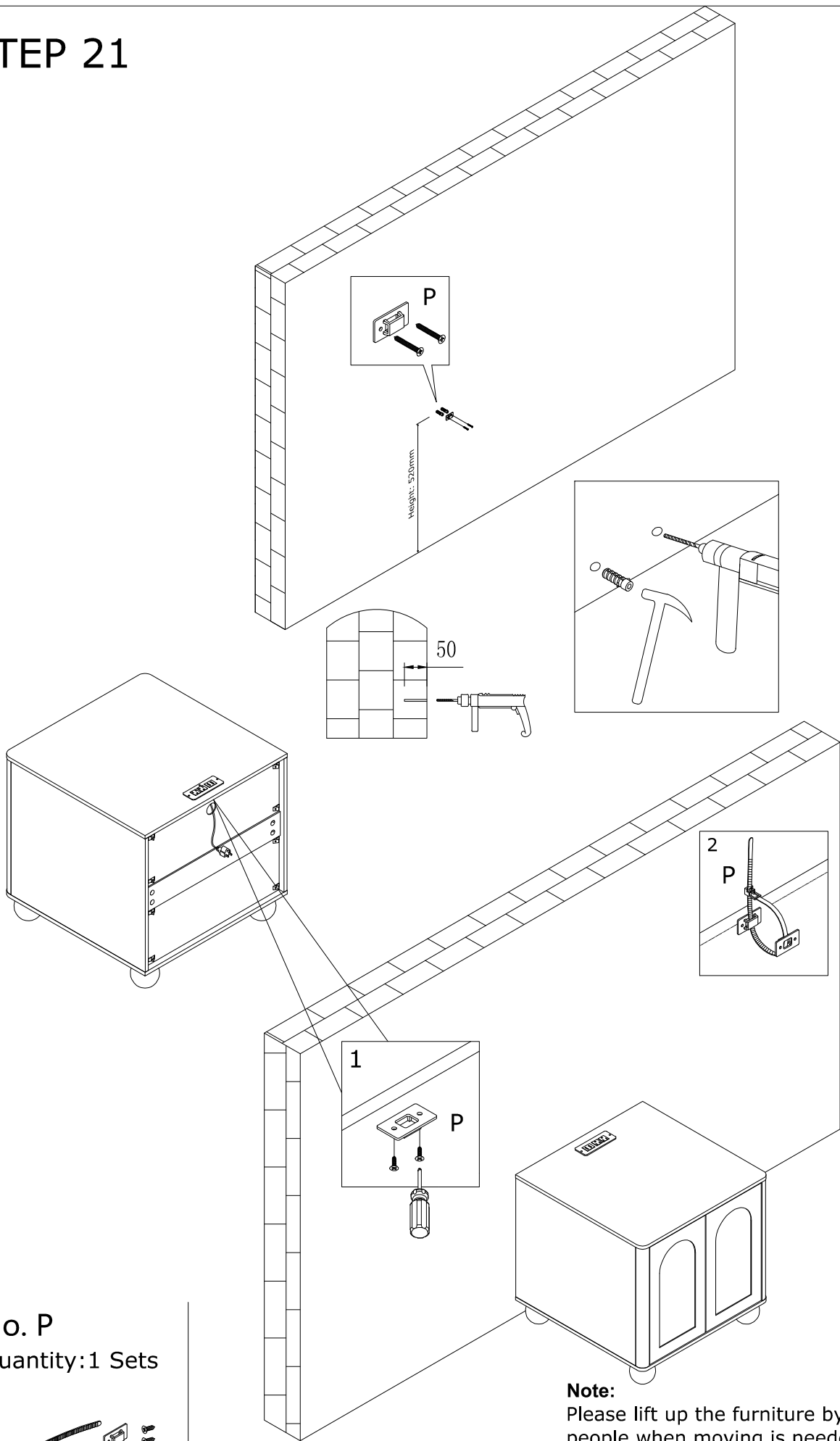
No. F
Quantity: 2 Pcs
M3.5*12mm



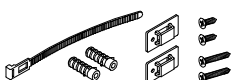
No. L
Quantity: 1 Sets



STEP 21



No. P
Quantity: 1 Sets



Note:
Please lift up the furniture by two people when moving is needed.
Dragging may cause the legs failure.