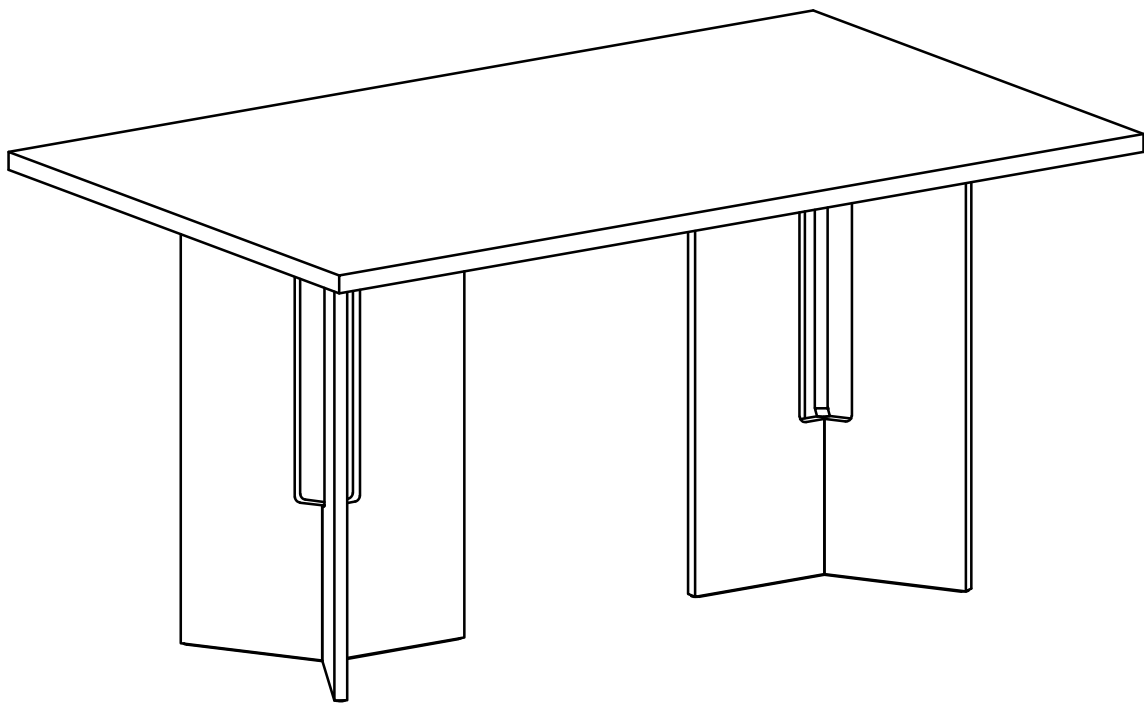


# ASSEMBLY INSTRUCTION

ITEM NO.N715P397331

## Dining Table



# ASSEMBLY INSTRUCTION

ITEM NO.N715P397331

Please read these instructions fully before starting assembly:

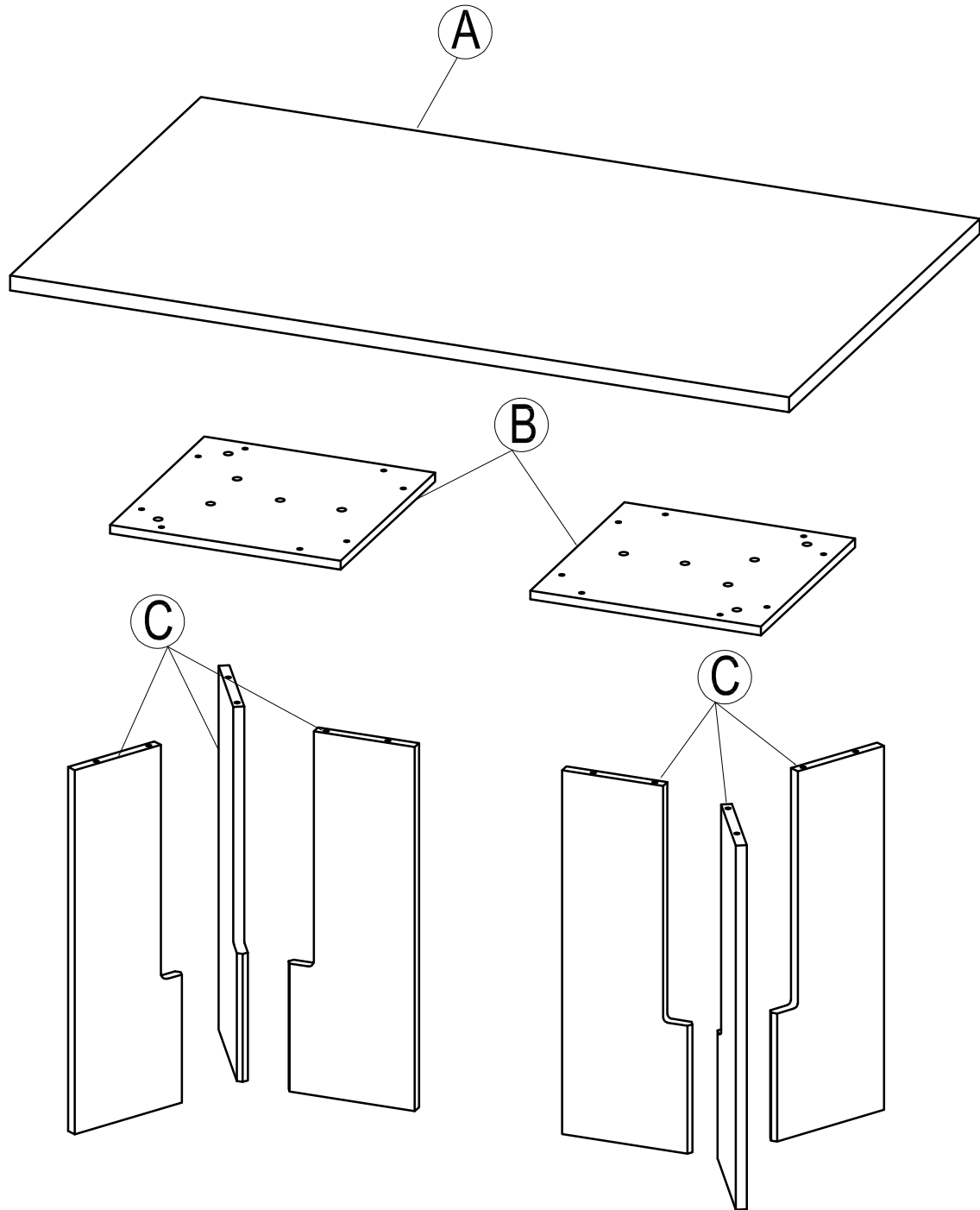
1. Place all wooden parts on a clean and smooth surface such as a rug or carpet to avoid scratching the parts.
2. Kindly follow the assembly instructions step by step.
3. Do not tighten all screws and bolts until the table is fully assembled.
4. Unscrew the protective plastique supports from the metal insert of the table legs before assembly.
5. Parts of the assembly will be easier with 2 people.

Care and maintenance:

Only clean using a damp cloth and mild detergent, do not use bleach or abrasive cleaners.

# ASSEMBLY INSTRUCTION

ITEM NO.N715P397331



# ASSEMBLY INSTRUCTION

ITEM NO.N715P397331

## Part List

Ⓐ

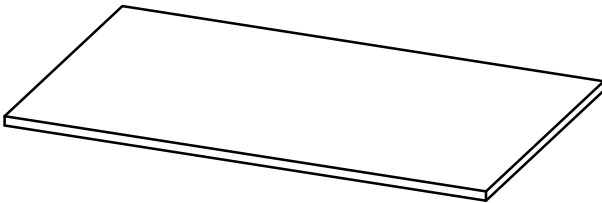
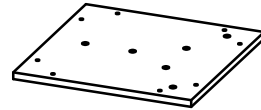


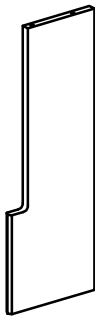
TABLE TOP (1pc)

Ⓑ



PANEL TOP LEG (2 pcs)

Ⓒ

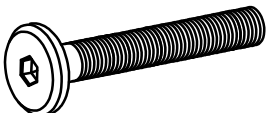

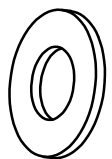

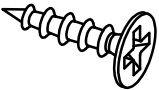
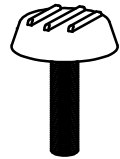
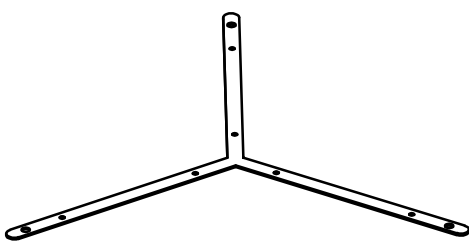
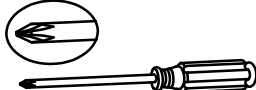


PANEL TOP LEG (6pcs)

# ASSEMBLY INSTRUCTION

ITEM NO.N715P397331

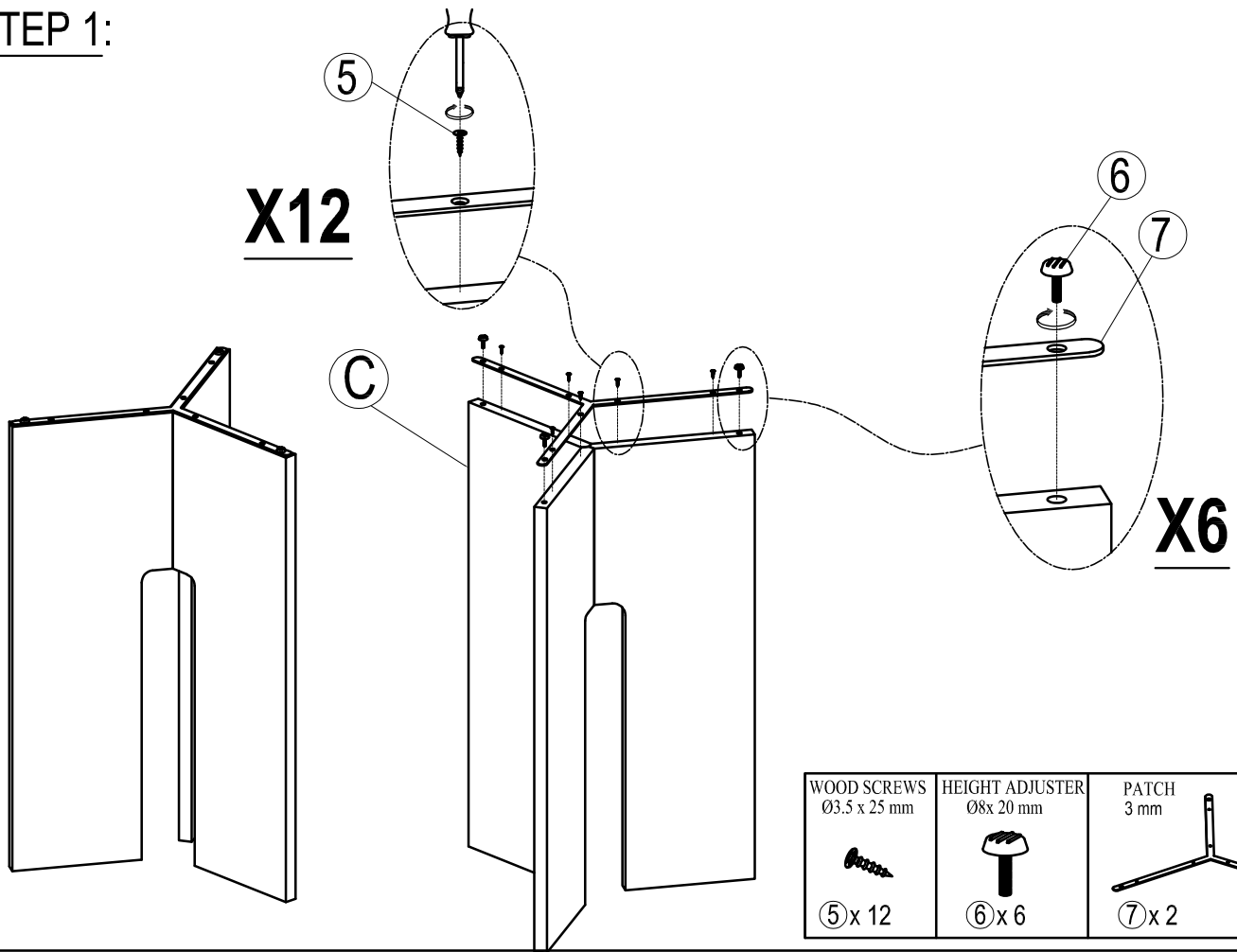
## Hardware List

|                                                                                                                                                |                                                                                                                                             |
|------------------------------------------------------------------------------------------------------------------------------------------------|---------------------------------------------------------------------------------------------------------------------------------------------|
| <p>①</p>  <p>Ø 5/16" x 35 mm<br/>BOLT (28 pcs)</p>            | <p>②</p>  <p>Ø5/16" x 13 mm<br/>LOCK WASHER (28 pcs)</p> |
| <p>③</p>  <p>Ø5/16" x 19 x 2 mm<br/>FLAT WASHER (16 pcs)</p> | <p>④</p>  <p>4 mm<br/>ALLEN KEY (1 pc)</p>              |
| <p>⑤</p>  <p>Ø3.5 x 25 mm<br/>WOOD SCREWS (12 pcs)</p>      | <p>⑥</p>  <p>Ø8x 20 mm<br/>HEIGHT ADJUSTER (6 pcs)</p> |
| <p>⑦</p>  <p>425x425x3 mm<br/>PATCH (2 pcs)</p>             | <p><u>Tools Requires</u></p>  <p>Not included</p>       |

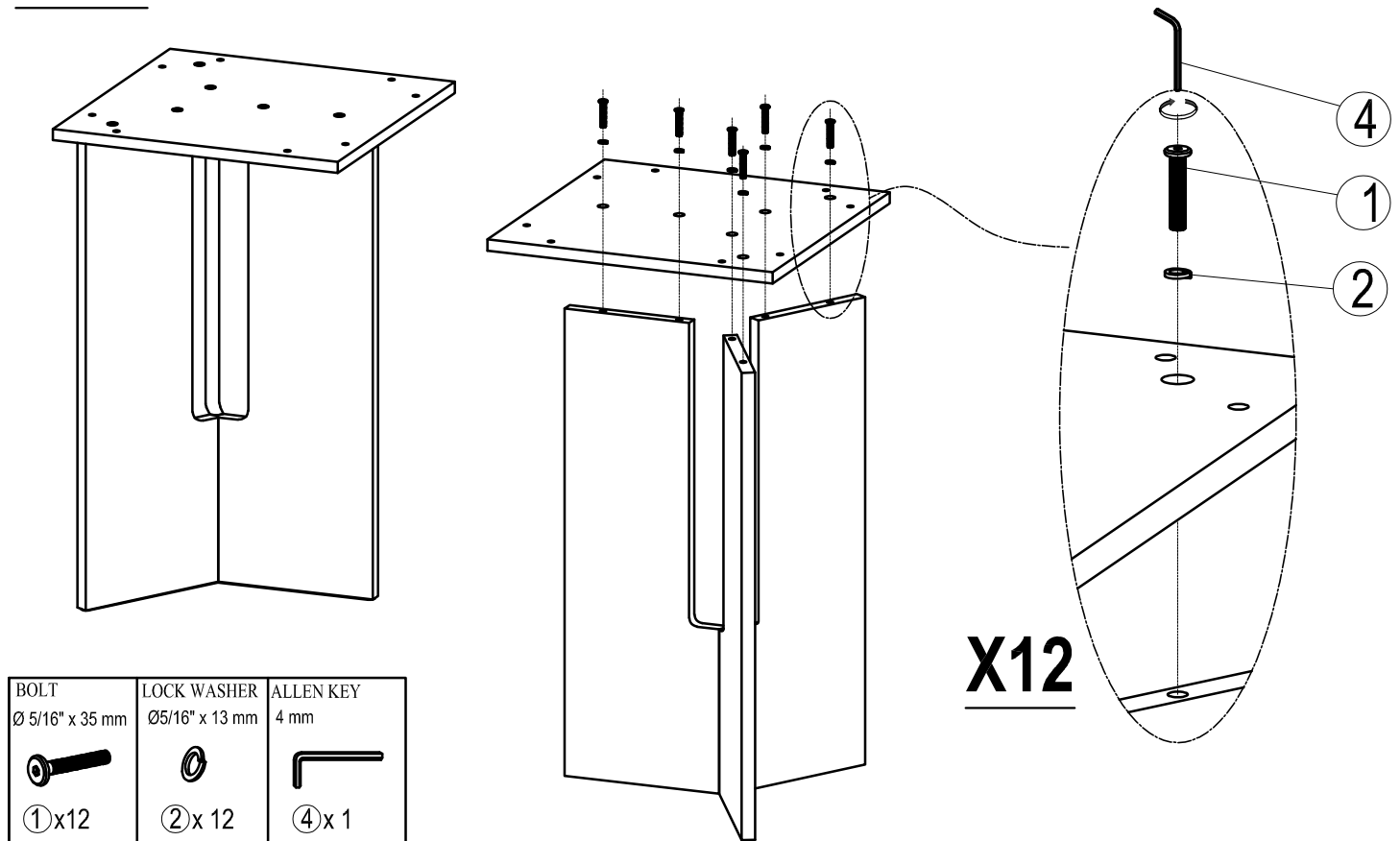
# ASSEMBLY INSTRUCTION

ITEM NO.N715P397331

## STEP 1:



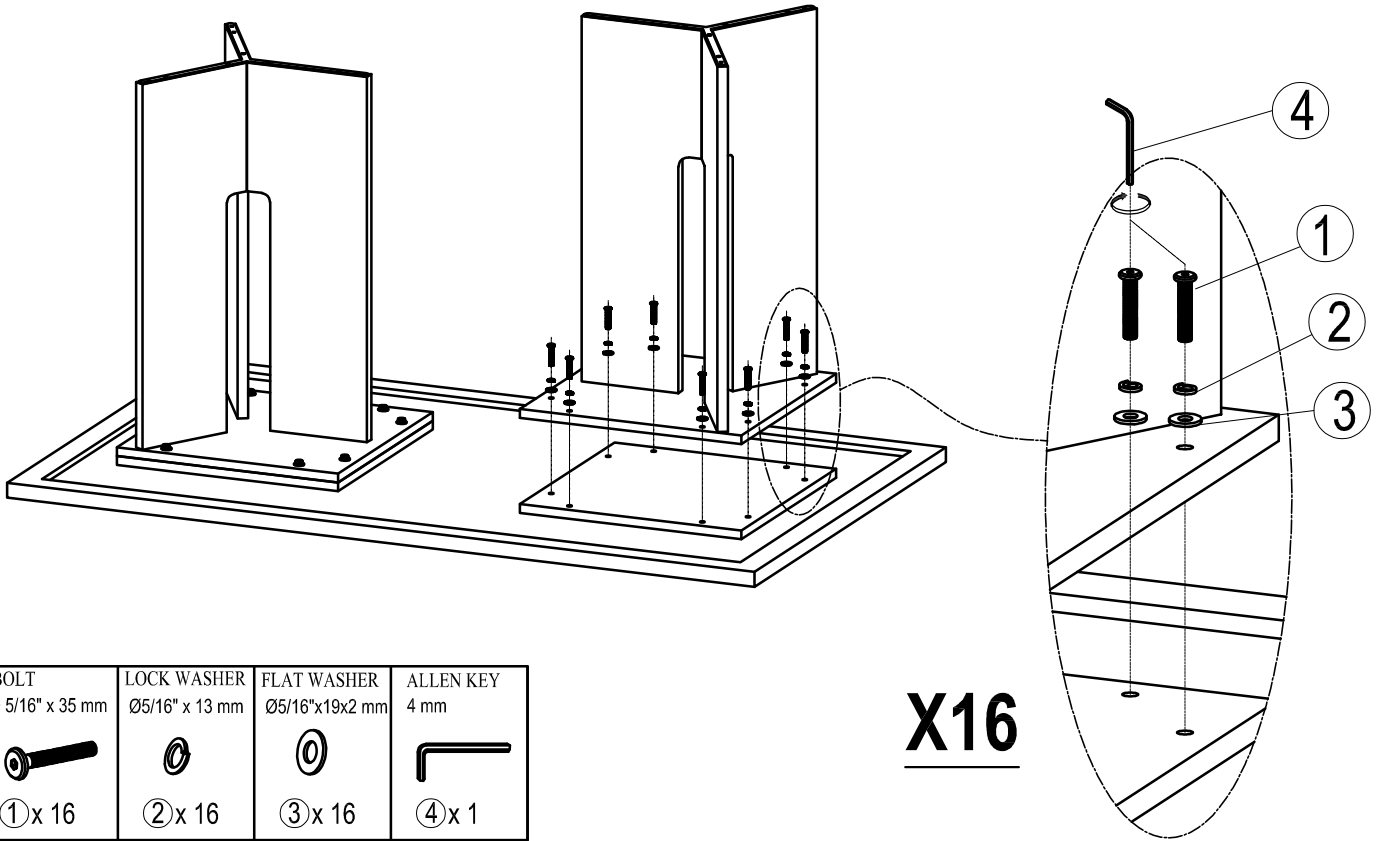
## STEP 2:




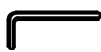


# ASSEMBLY INSTRUCTION

ITEM NO.N715P397331

## STEP 3:



| BOLT                                                                               | LOCK WASHER                                                                         | FLAT WASHER                                                                         | ALLEN KEY                                                                           |
|------------------------------------------------------------------------------------|-------------------------------------------------------------------------------------|-------------------------------------------------------------------------------------|-------------------------------------------------------------------------------------|
| Ø 5/16" x 35 mm                                                                    | Ø5/16" x 13 mm                                                                      | Ø5/16"x19x2 mm                                                                      | 4 mm                                                                                |
|  |  |  |  |
| ① x 16                                                                             | ② x 16                                                                              | ③ x 16                                                                              | ④ x 1                                                                               |

## COMPLETE

