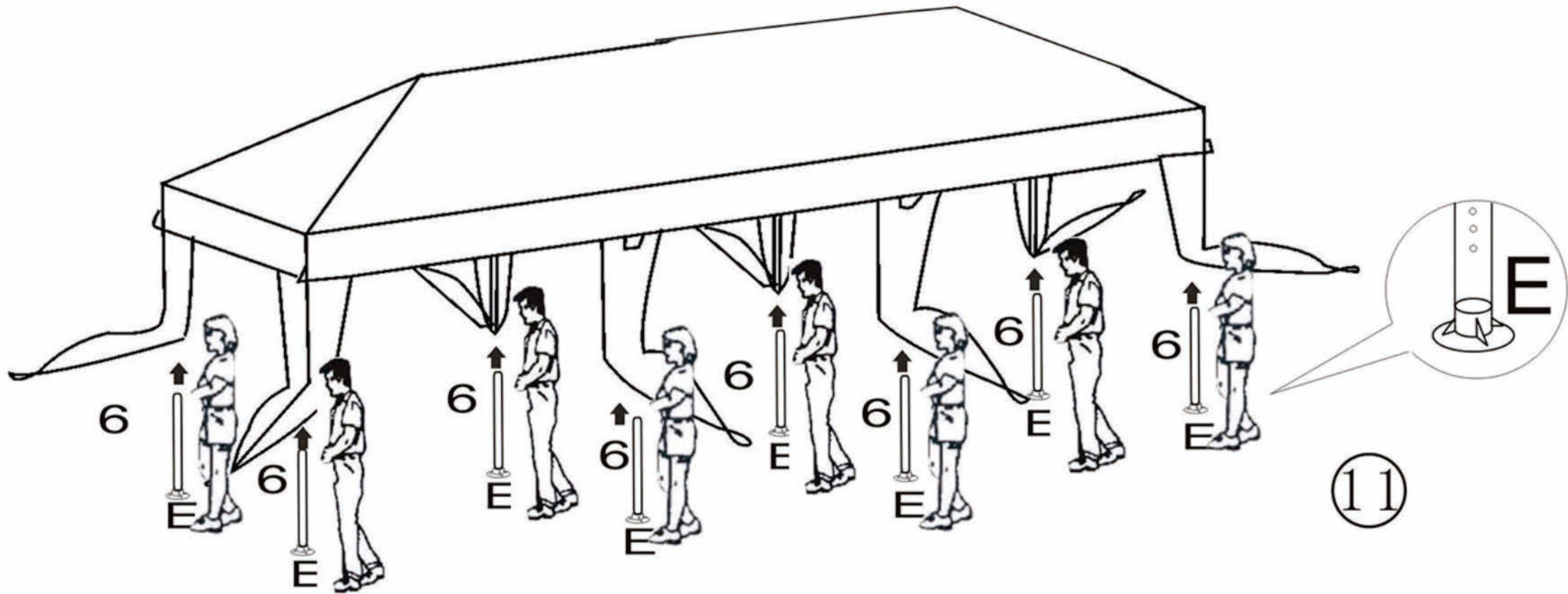


10

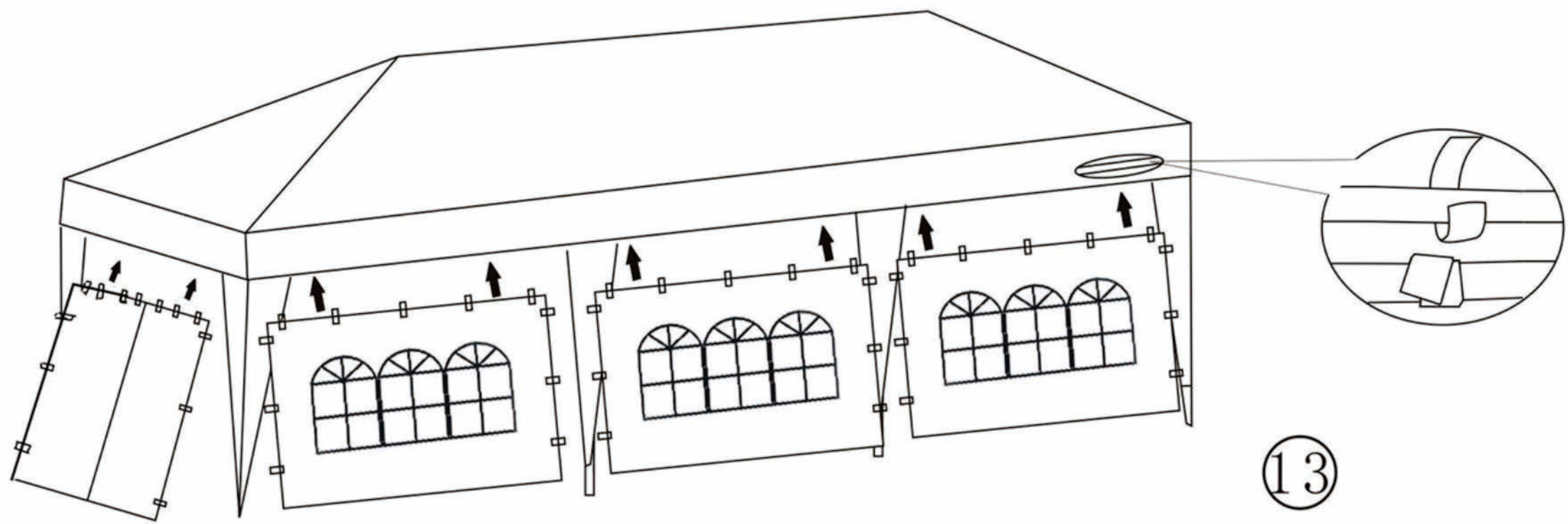


11

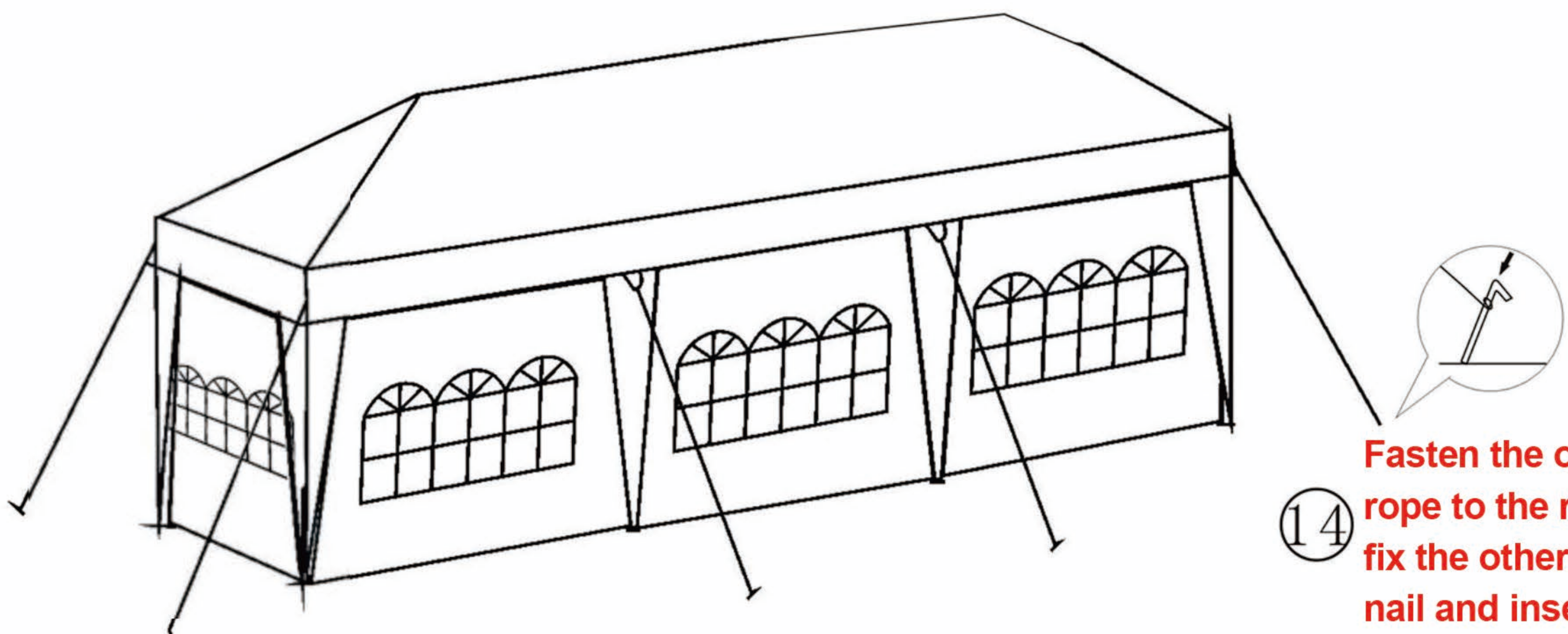


12

**When using the tent ,the nail must be inserted into the ground**



13

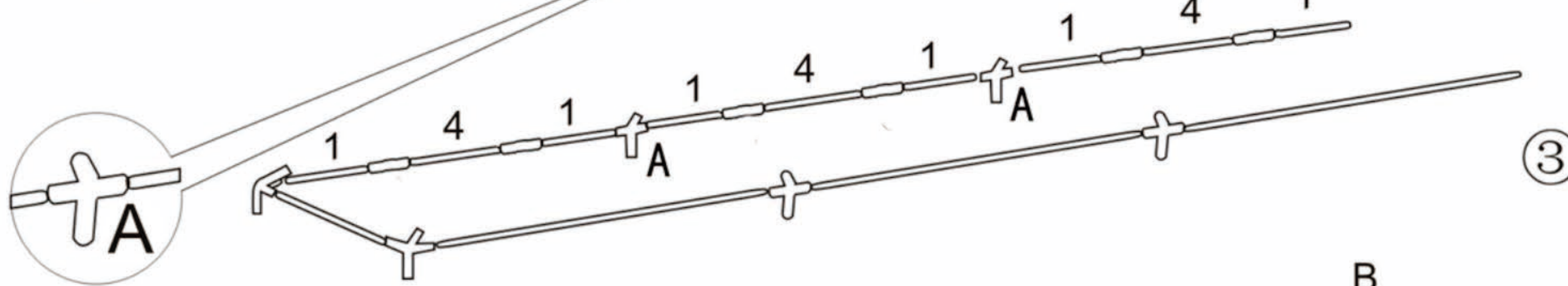
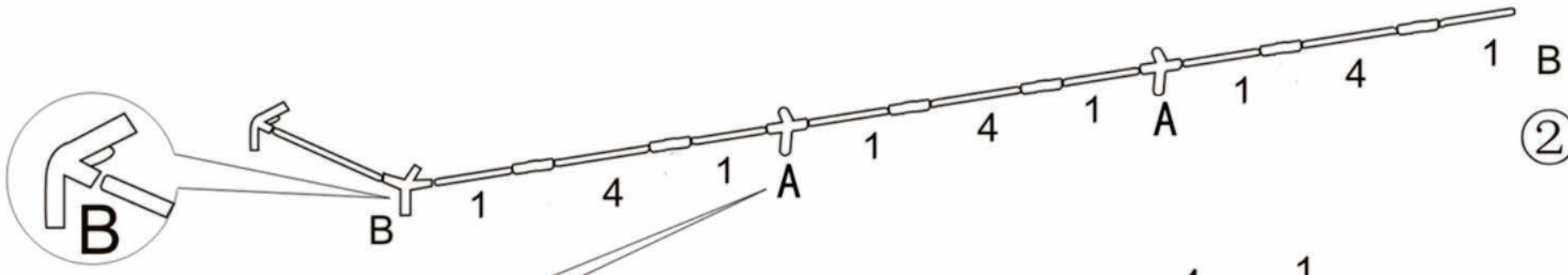
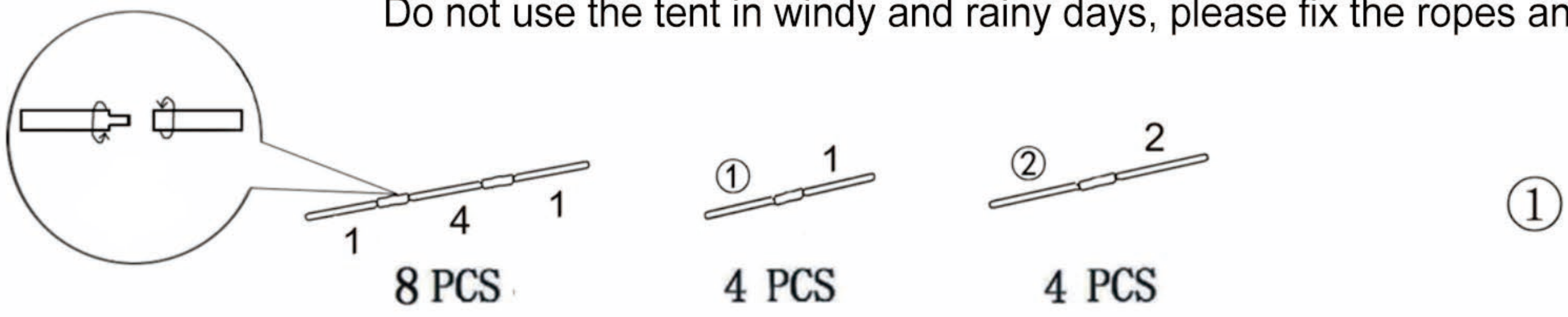


14

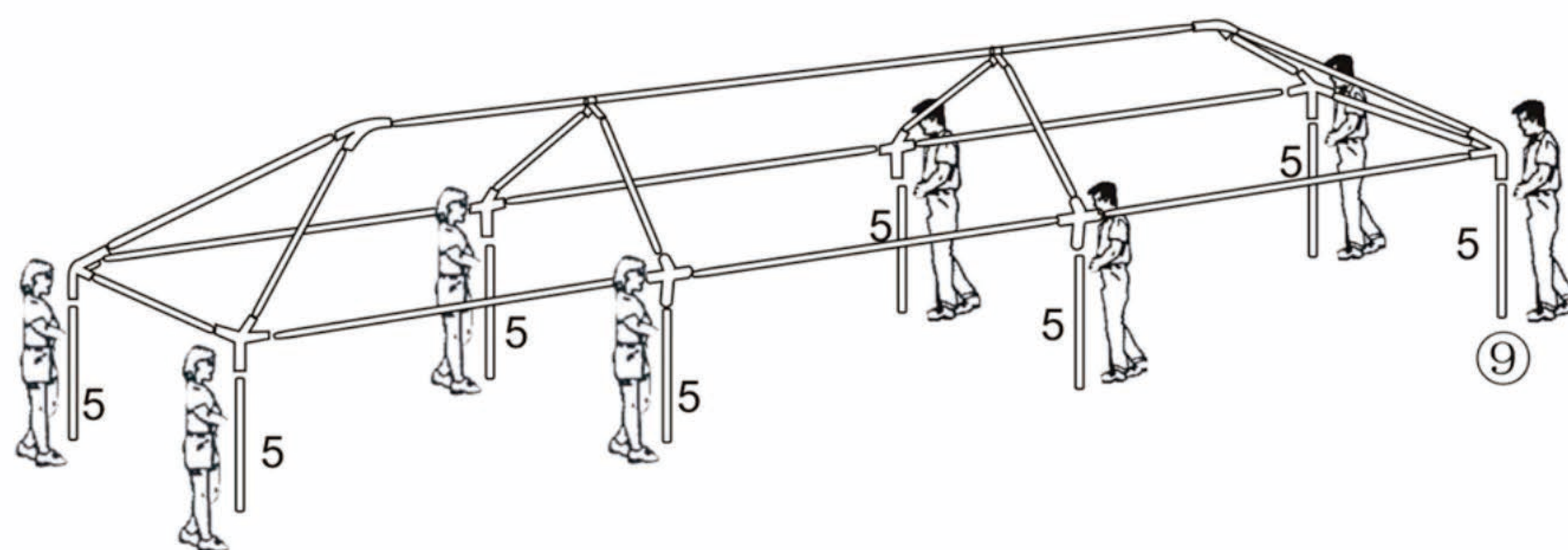
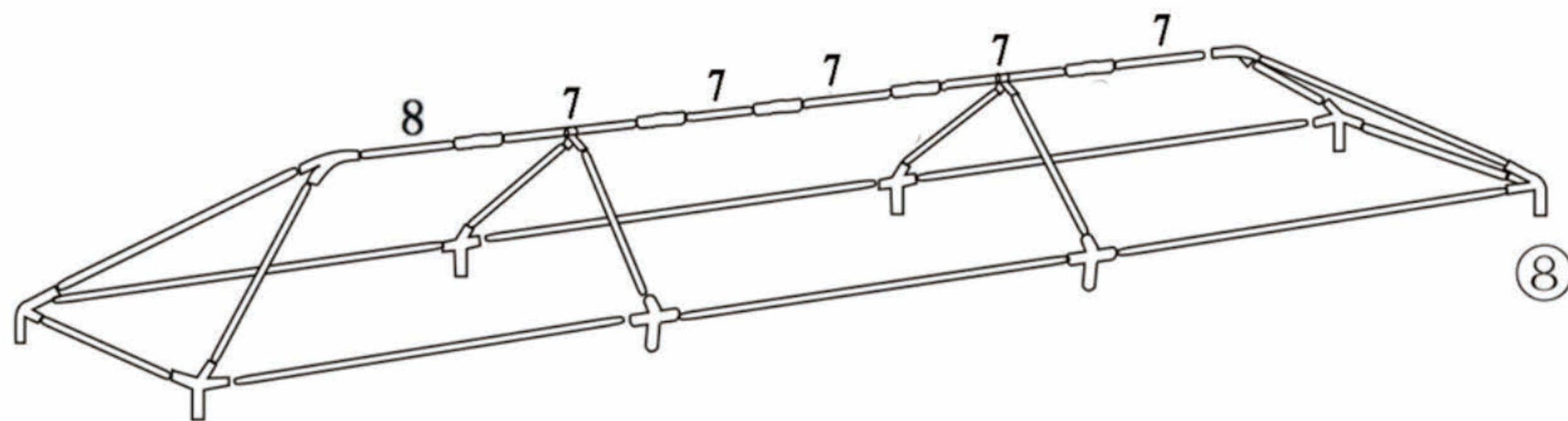
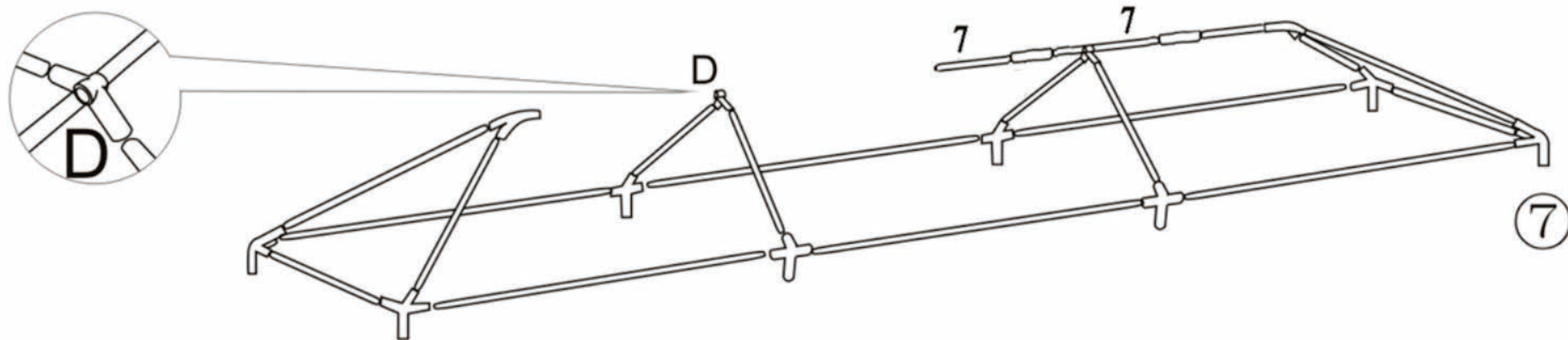
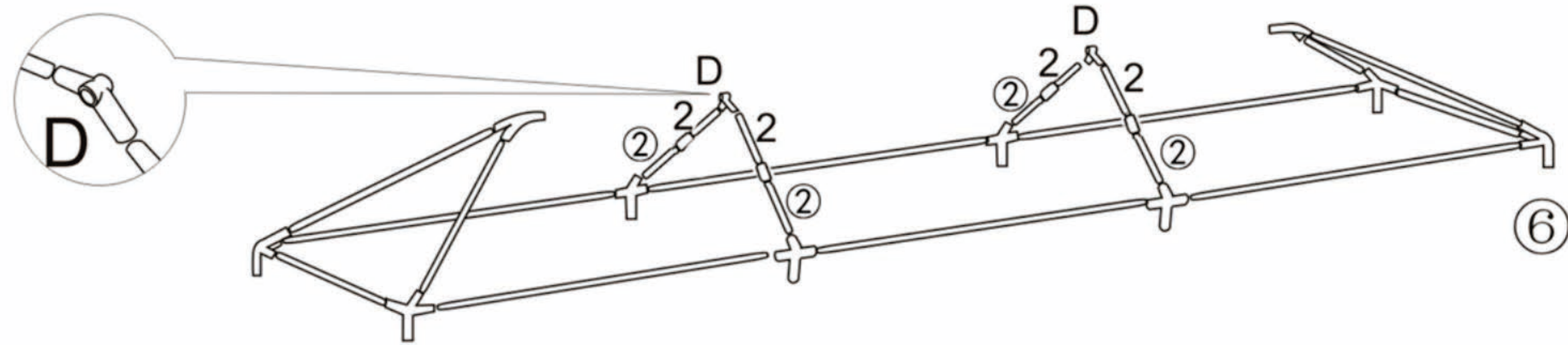
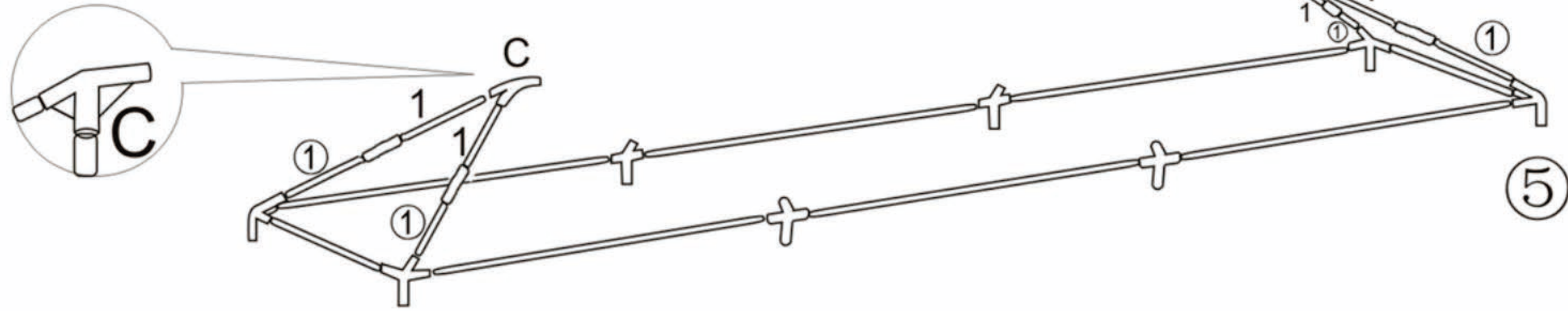
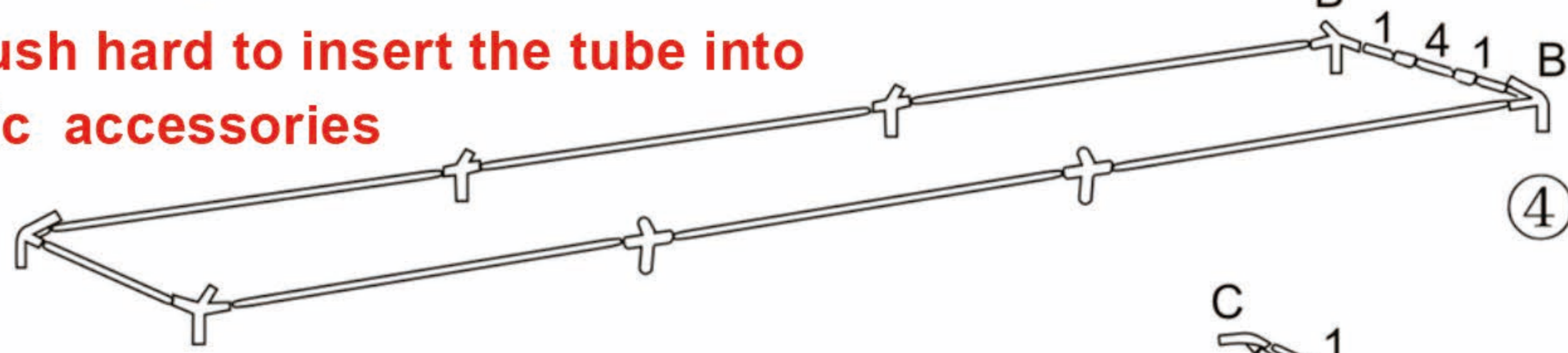
**Fasten the one side of wind rope to the roof fabric,then fix the other side to the nail and insert the nail into the ground**

# Simple Assembly Instructions

Do not use the tent in windy and rainy days, please fix the ropes and ground nails when using.



**Please push hard to insert the tube into the plastic accessories**



1		20 PCS		
①		4 PCS		
2		4 PCS		
②		4 PCS		
4		8 PCS		
5		8 PCS		
6		8 PCS		
7		5 PCS		
8		1 PCS		
A		4 PCS		8 PCS
B		4 PCS		16 PCS
C		2 PCS		
D		2 PCS		
E		8 PCS		
				1 PCS
				5 PCS