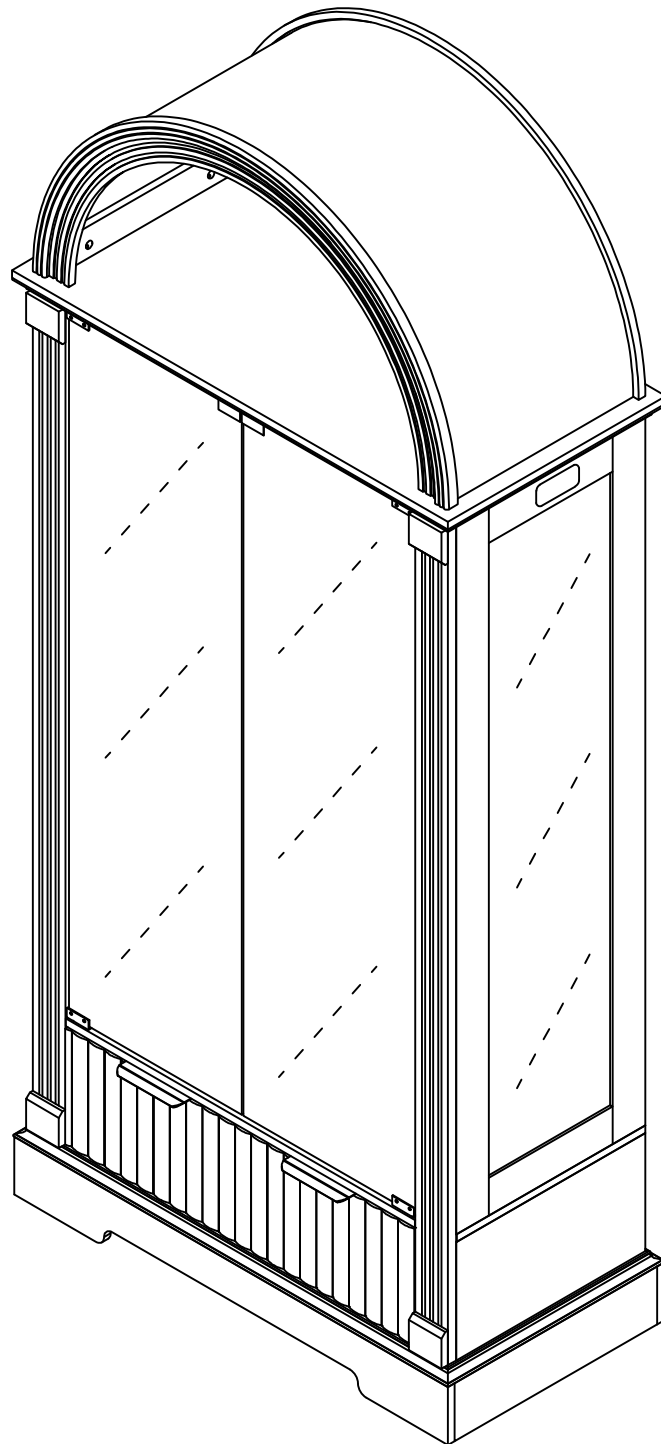
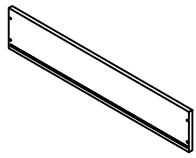
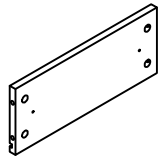


# Product Installation Instructions

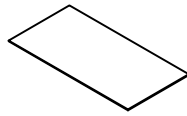




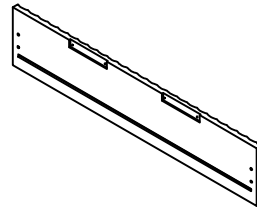
1x1



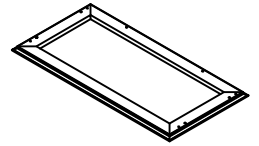
2x2



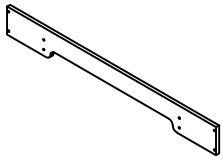
3x1



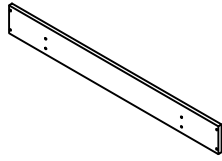
4x1



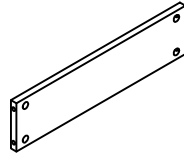
5x1



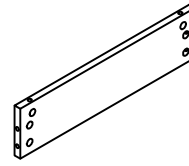
6x1



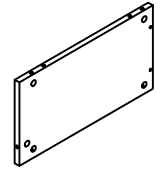
7x1



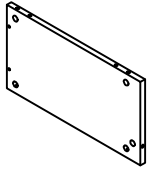
8x2



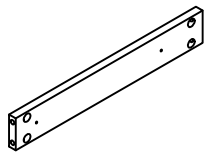
9x2



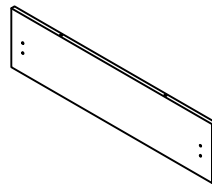
10x1



11x1



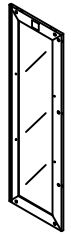
12x2



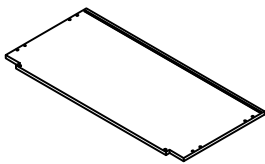
13x1



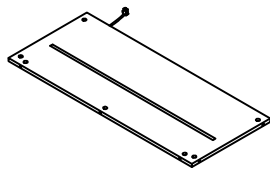
14x1



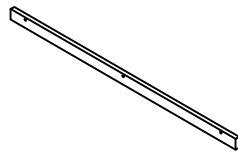
15x1



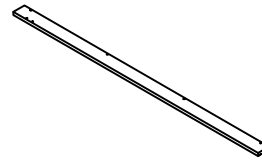
16x1



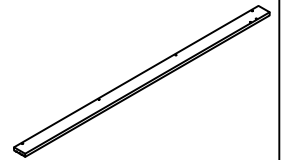
17x2



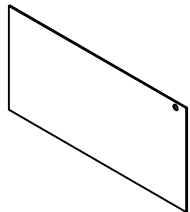
18x2



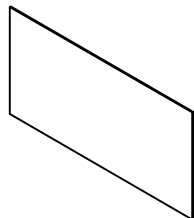
19x1



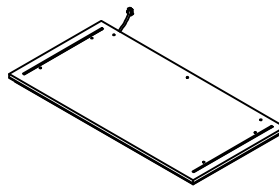
20x1



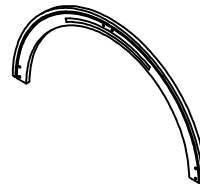
21x2



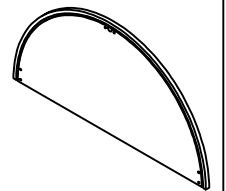
22x1



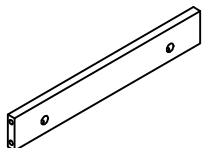
23x1



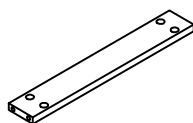
24x1



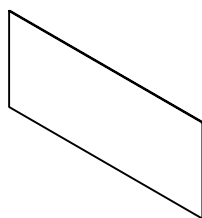
25x1



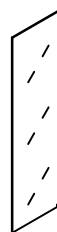
26x2



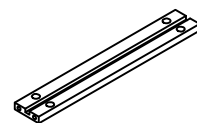
27x1



28x1



29x2

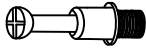

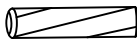
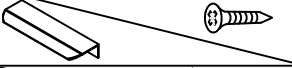


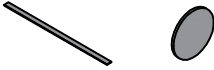
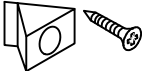





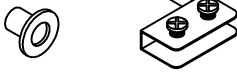






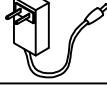


30x1

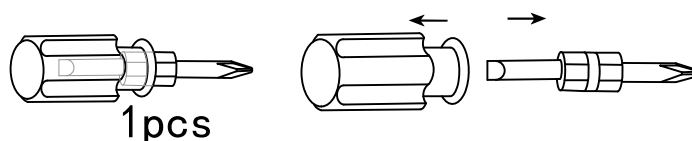


1

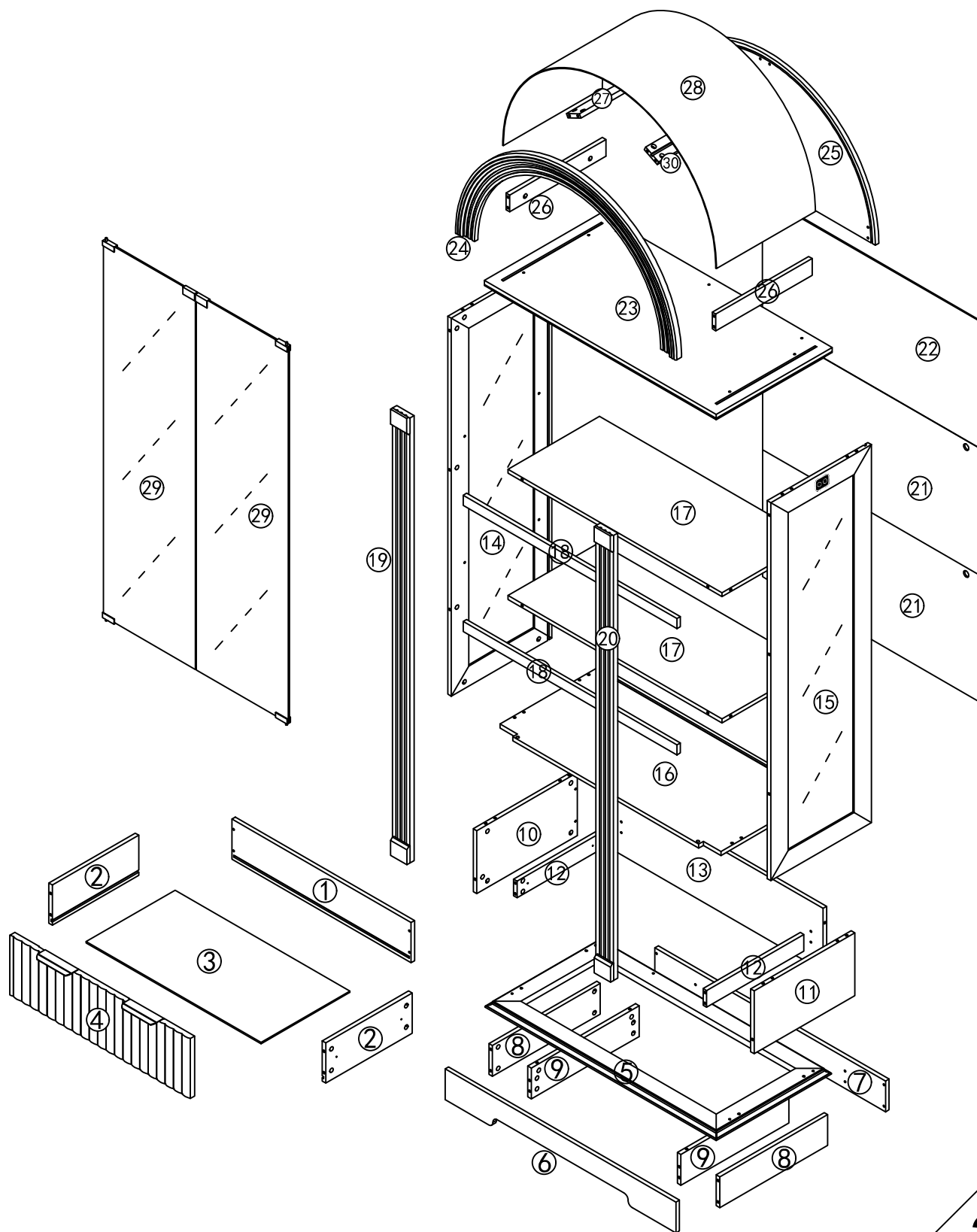
# Accessories list

A		Two in one screw (6x28mm)	105pcs +6pcs		
B		Two in one nut (10x12mm)	105pcs +6pcs		
C		Wood chipping (6x30mm)	16pcs +4pcs		
D		Handle & Screw (3x12mm)	2pcs	4pcs +1pcs	
E		Screw & Guide (3x12mm)	10pcs +2pcs	2pcs	
F		Wire	1pcs		
G		Sticker (φ20mm)	1pcs	4pcs +2pcs	
H		Fixing Clip & Screw (3x16mm)	10pcs +2pcs		
I		Forked line	2pcs		
J		Wire Clamp	4pcs +2pcs		
K		Non-slip pads	5pcs +1pcs		
L		Rebound device & Screw (3x16mm)	1pcs	4pcs +1pcs	
		Iron sheet	2pcs		
		Hinge	4pcs		
M		anti-tipping tape	1pcs		
			Screw & gasket (3,5x14mm)	1pcs	2pcs
			Screw (4x45mm)	1pcs	1pcs
N		Foot nail	4pcs		
		AC/DC Adapter (12V=3.0A)	1pcs		

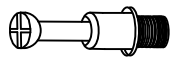
Double-head screwdriver, use as required



# Product structure decomposition



A



8pcs

B



8pcs

D



2pcs



4pcs

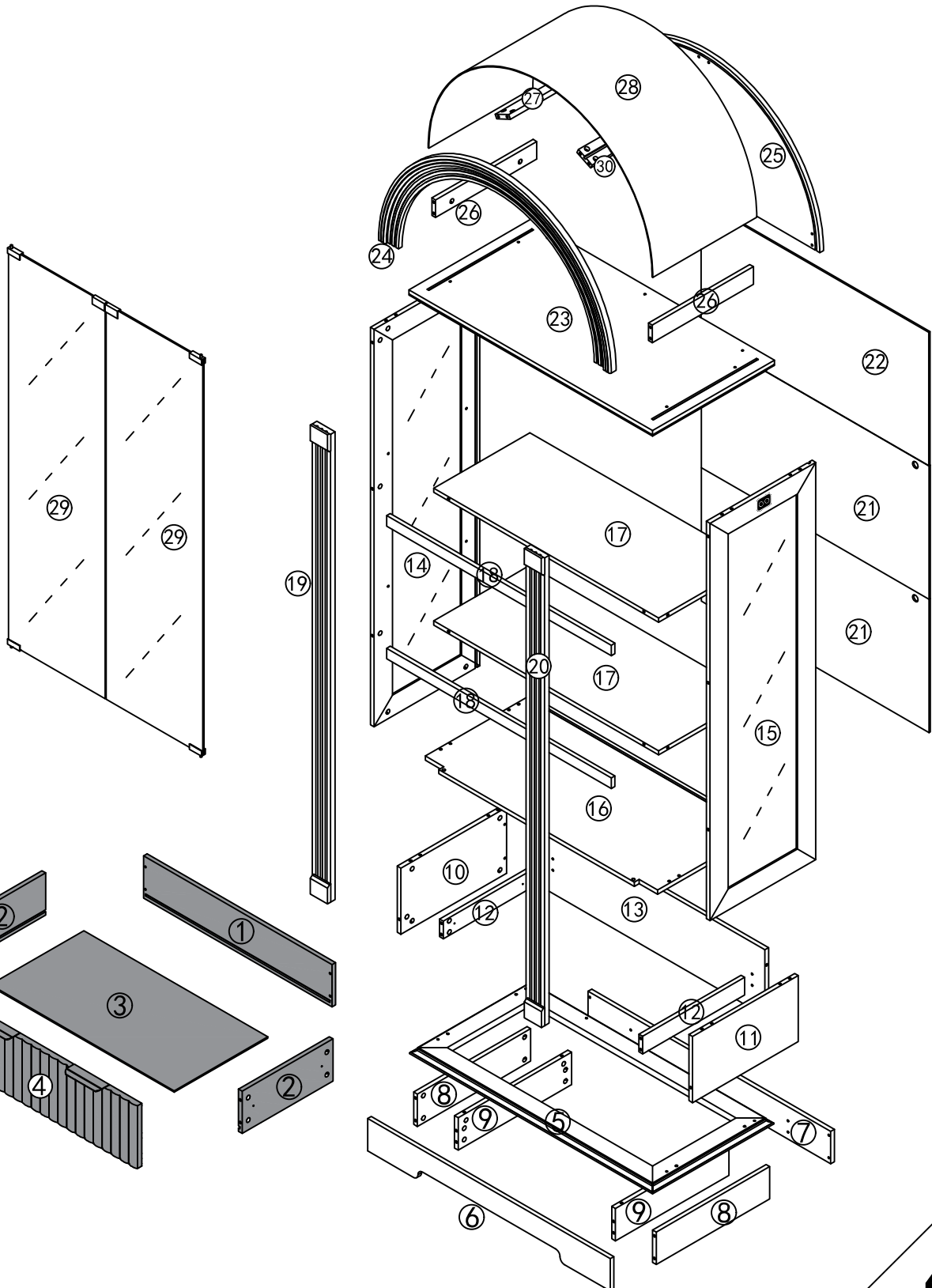
E



2pcs

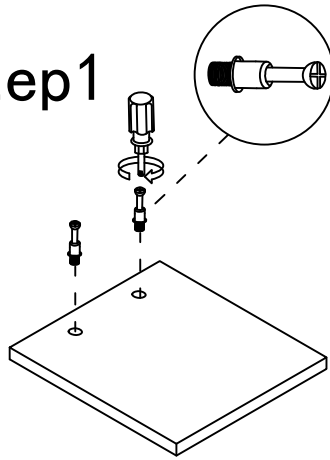


4pcs

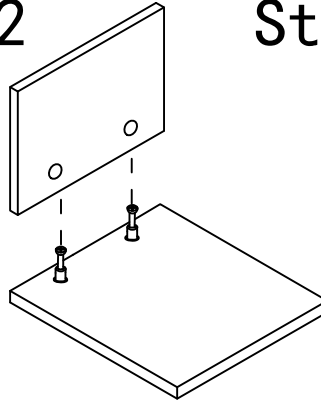


# Screw installation method

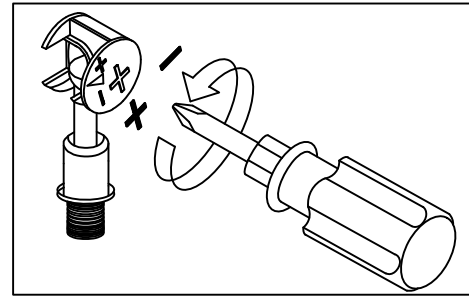
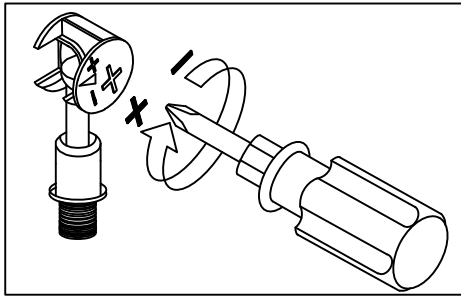
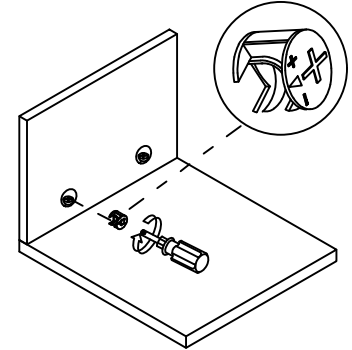
Step1



Step2



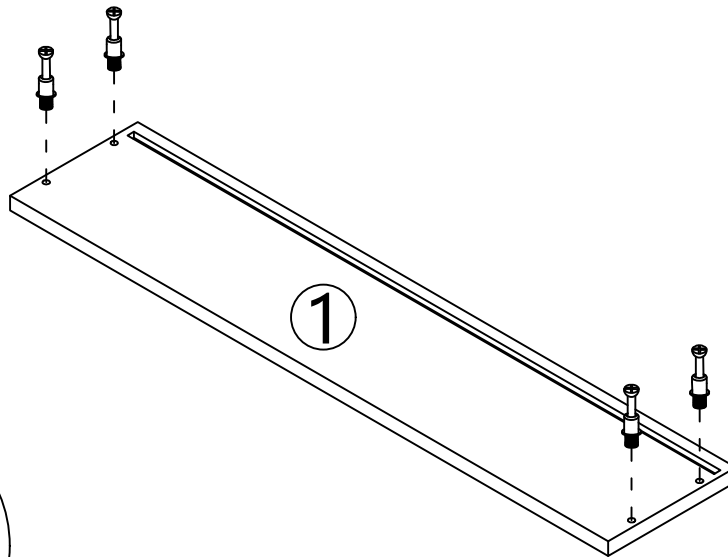
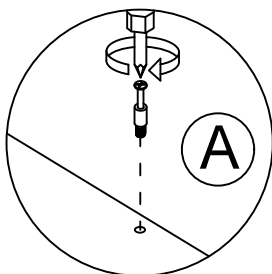
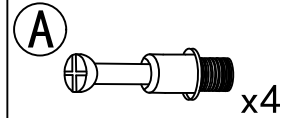
Step3



Use a screwdriver to lock in the direction of the "+" sign

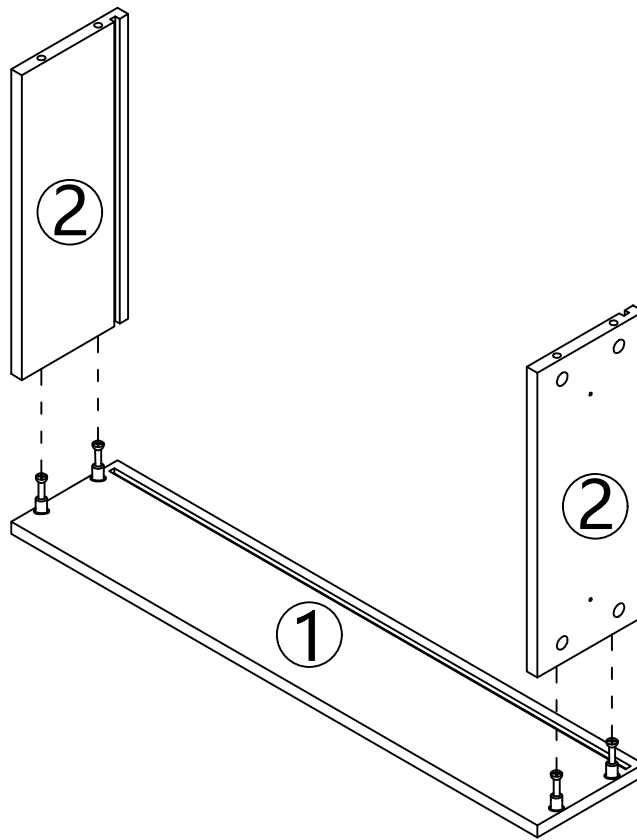
Disassemble along the direction of "-" sign

Step 1

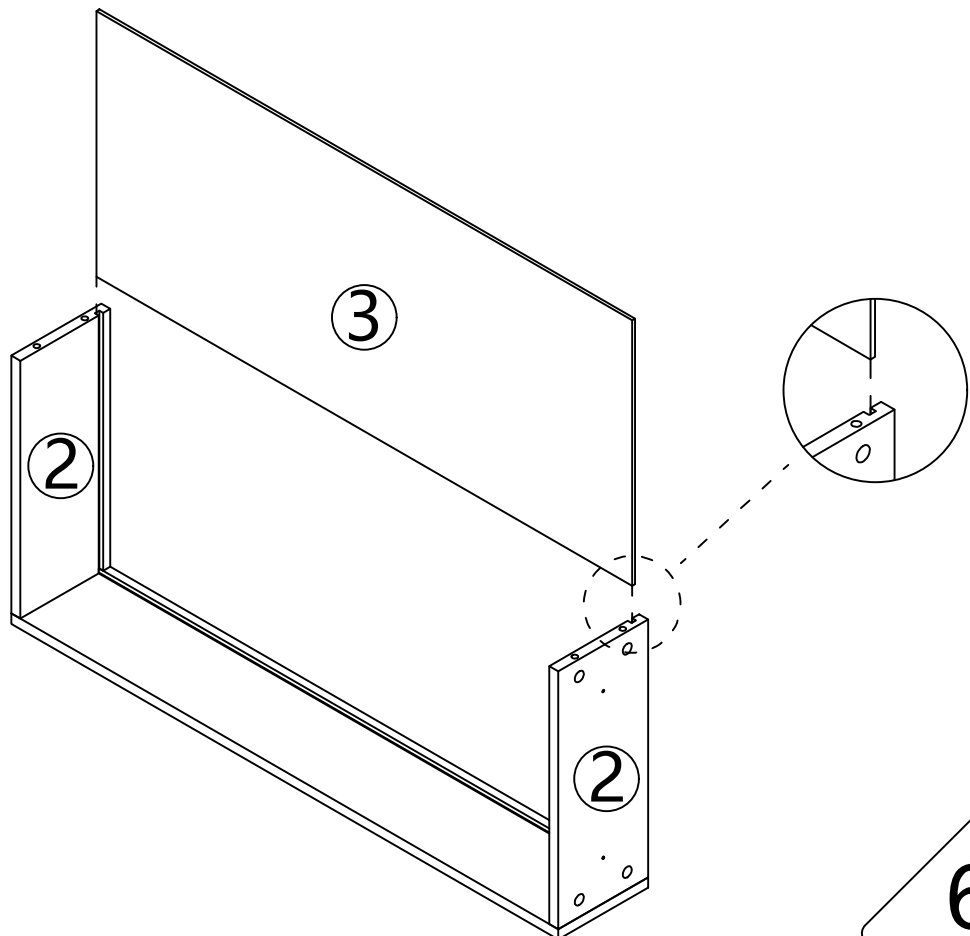


5

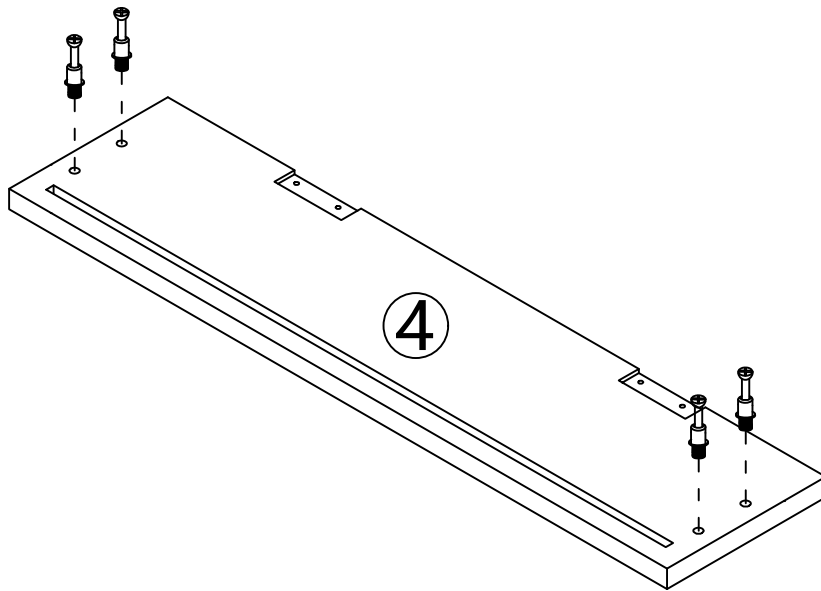
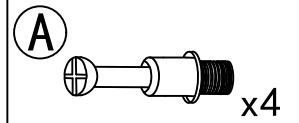
Step 2



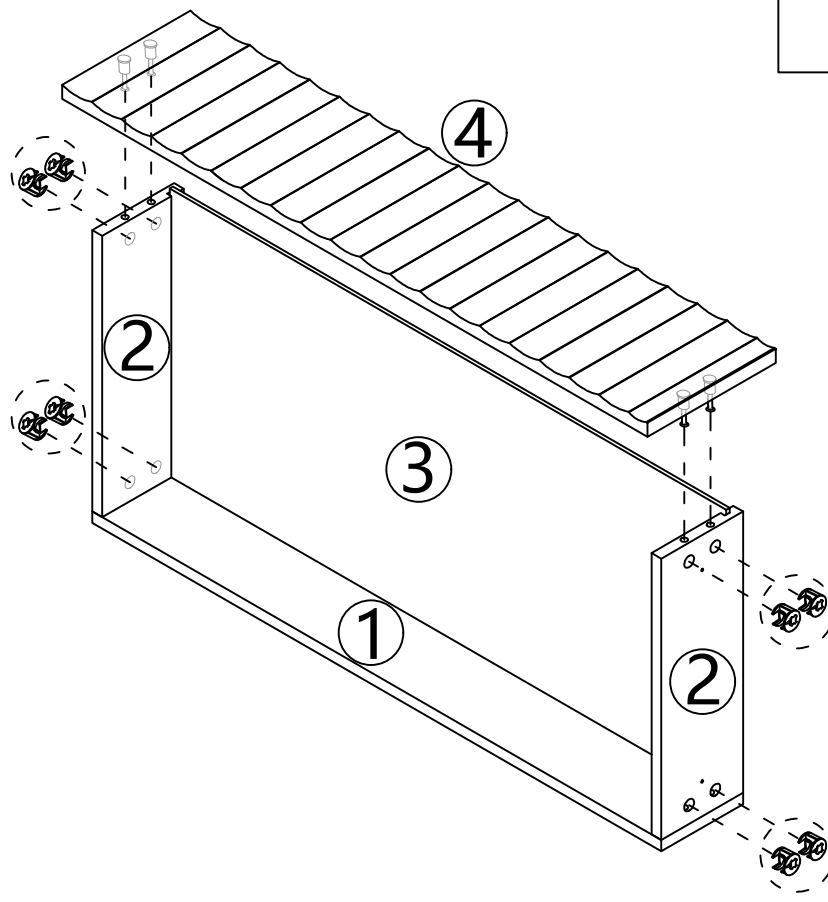
Step 3



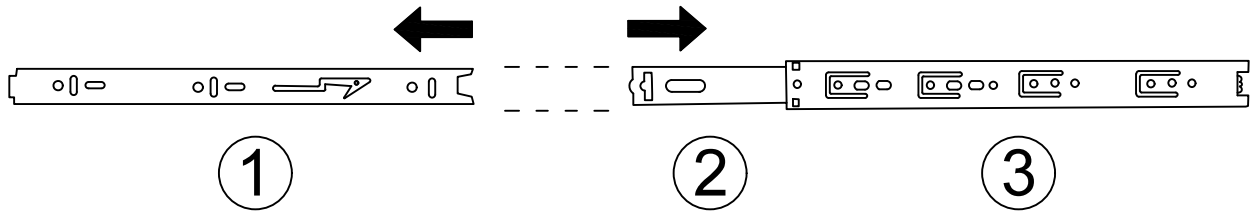
Step 4



Step 5

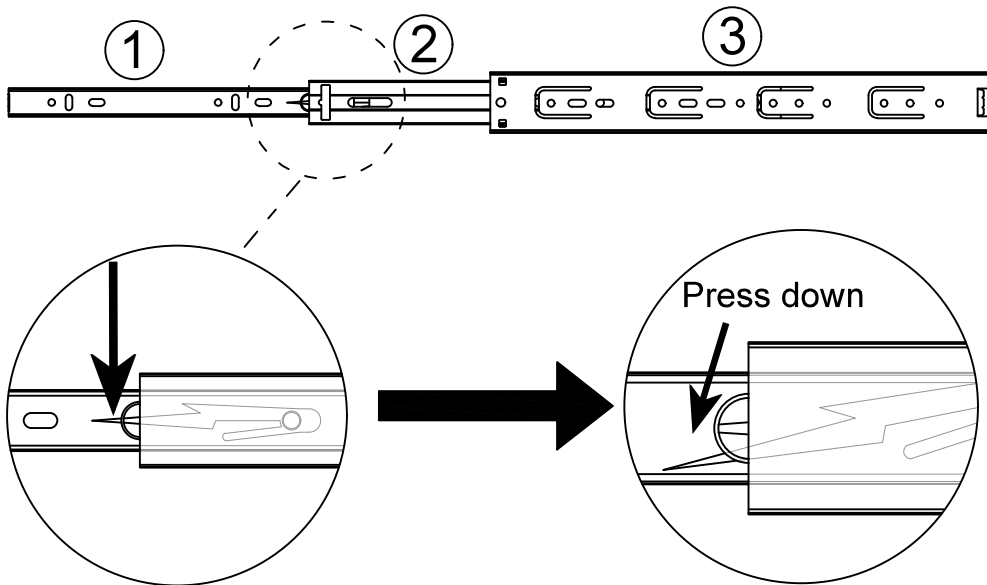


Drawer rail breakdown diagram



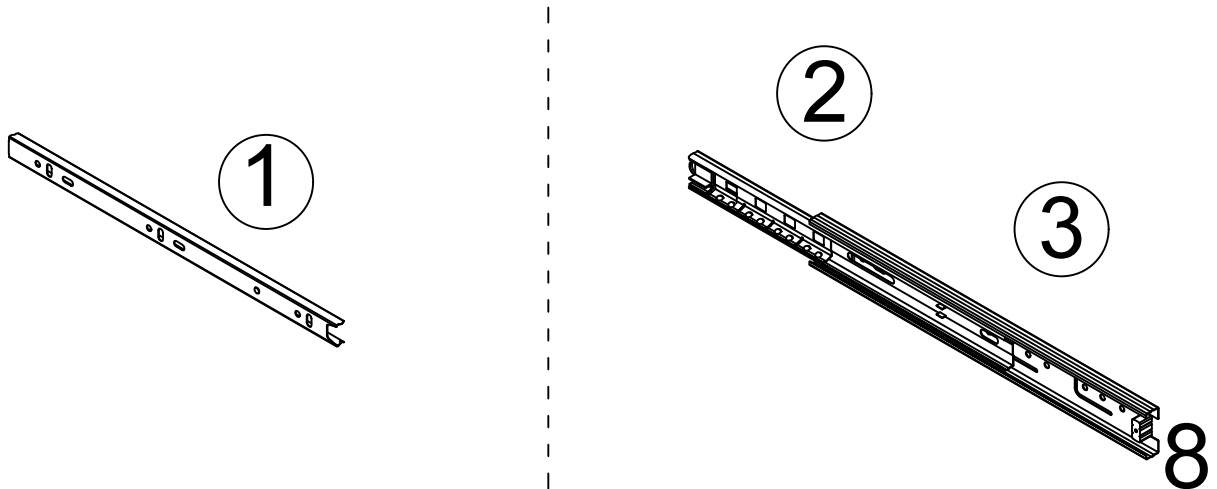
① Dismantle the schematic diagram

Step 1 : Pull the rails apart





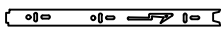
Step 2 : Press the nylon button and pull out ①.


Drawer rail decomposition completed schematic diagram

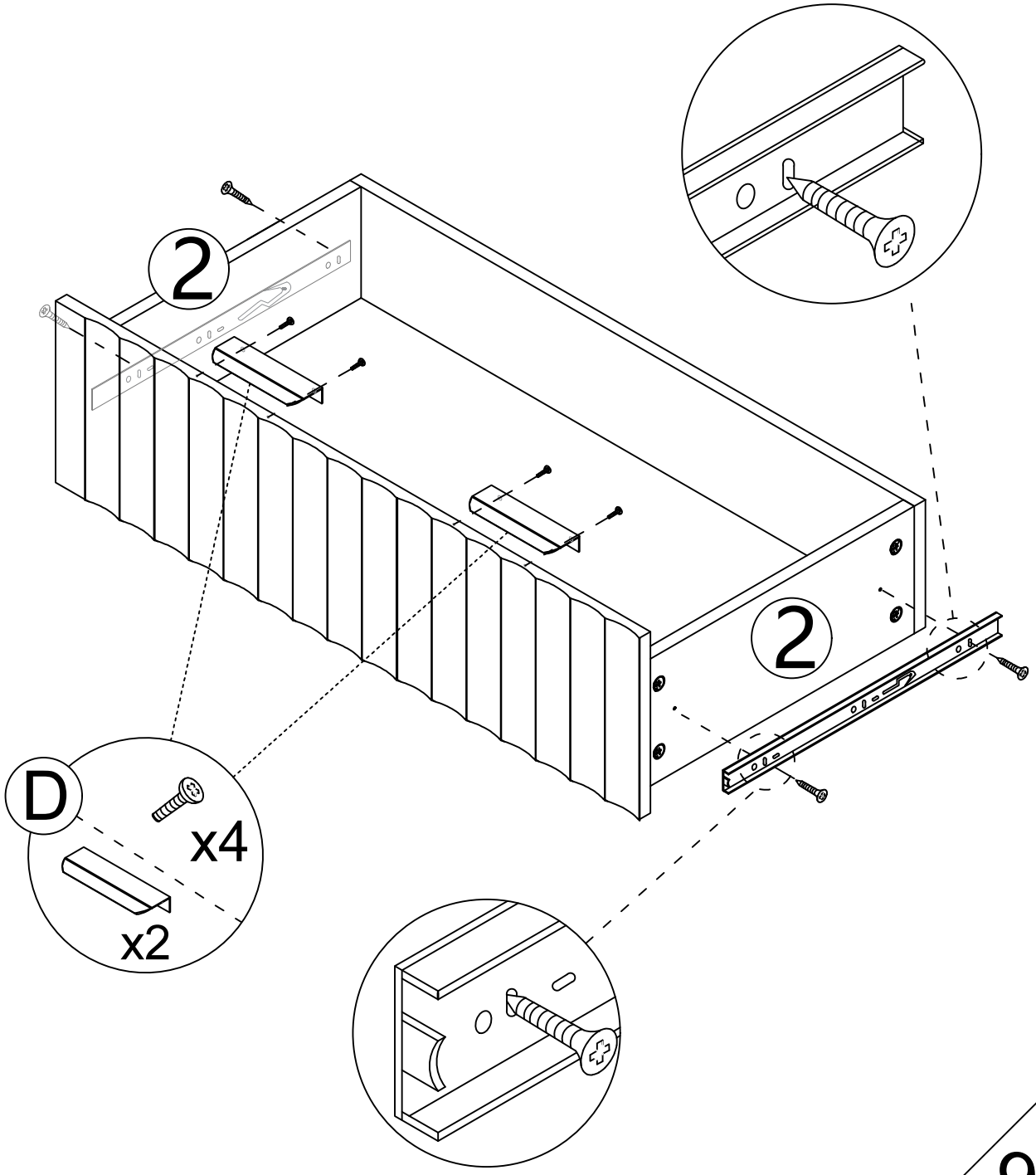
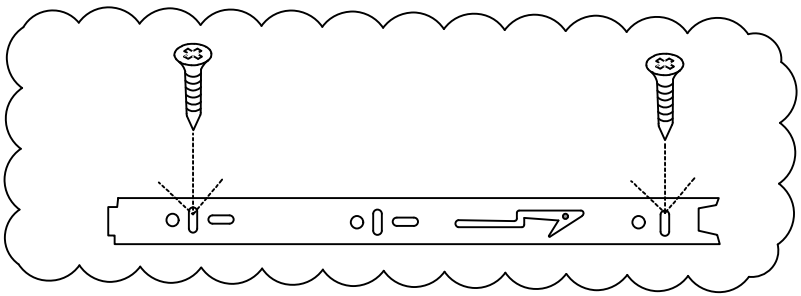




# Step 6

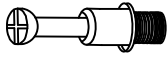

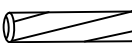



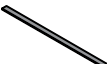

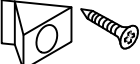














**D**  x2  x4

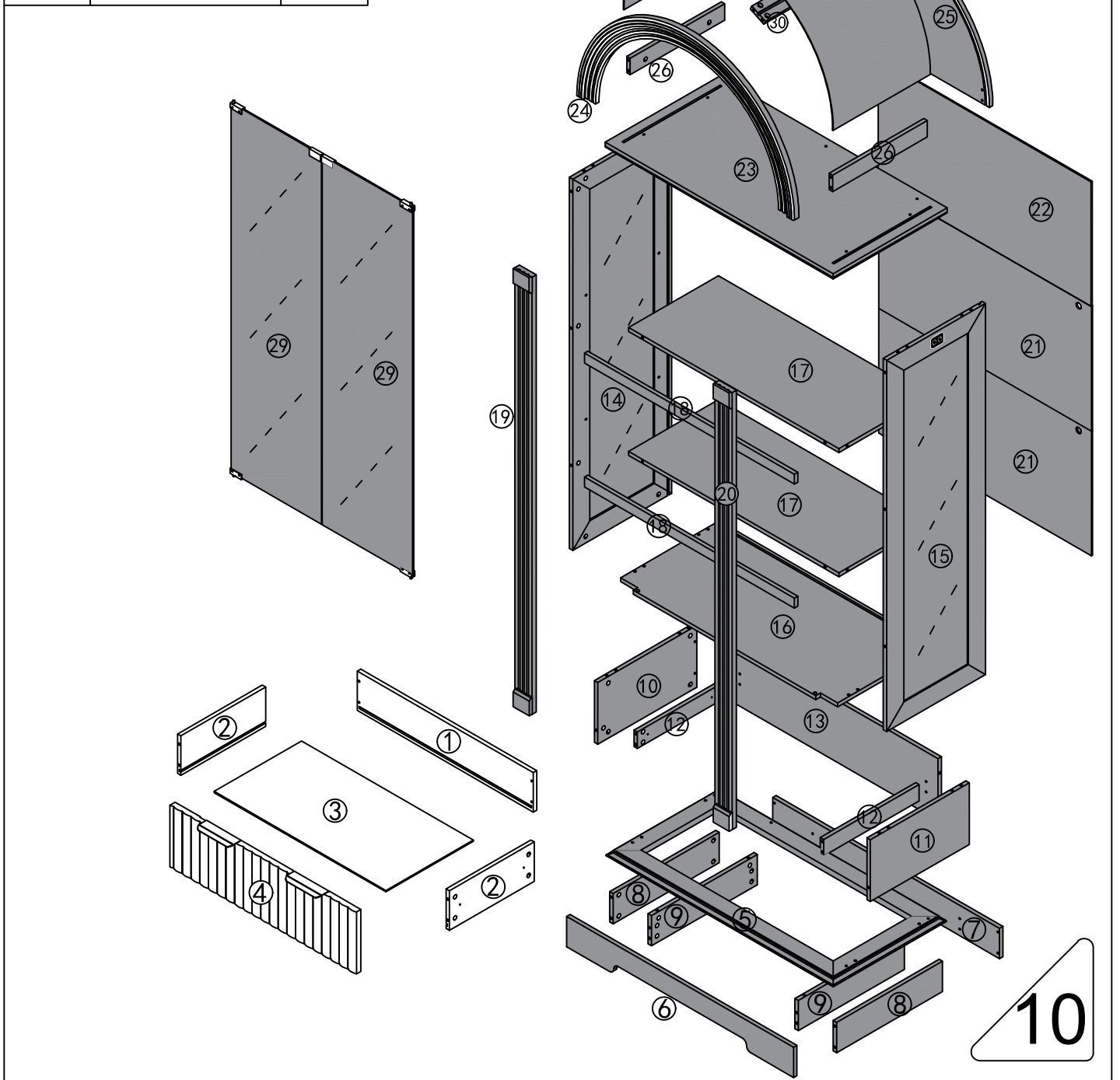
**E**  x2

 x4

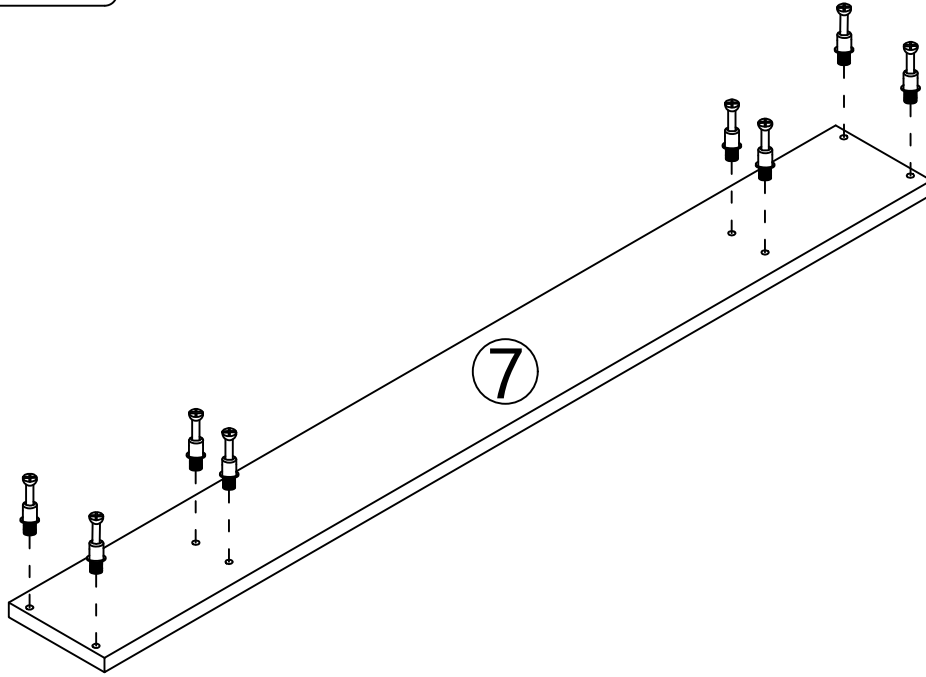
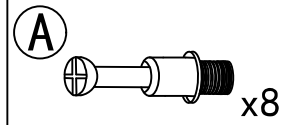


**D**  x2  x4

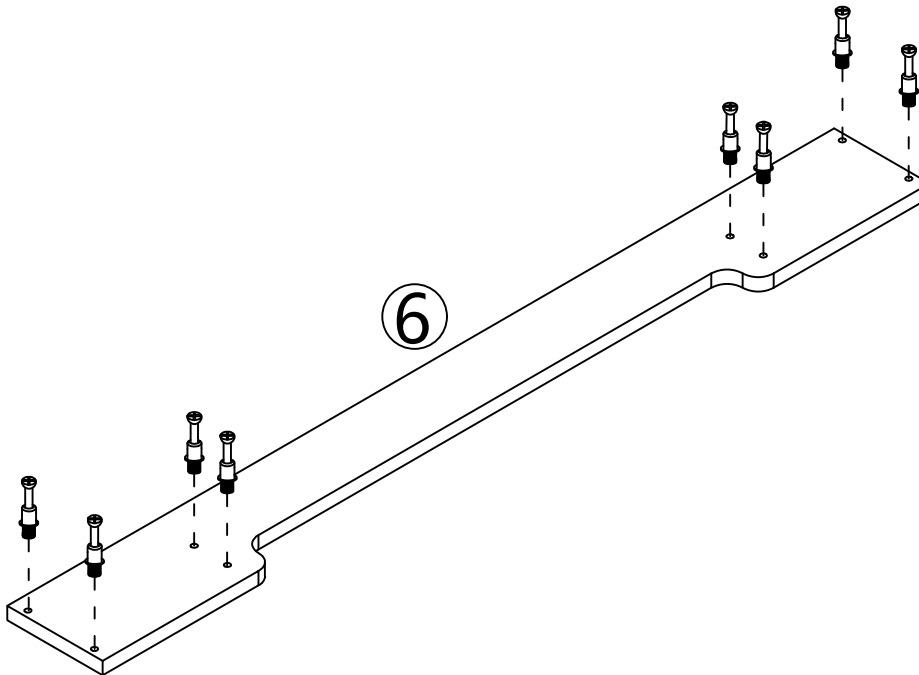
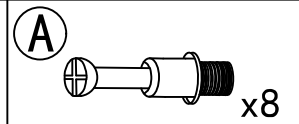
<b>A</b>		97pcs	<b>B</b>		97pcs	<b>C</b>		16pcs	
<b>E</b>		4pcs		8pcs	<b>F</b>		1pcs	<b>G</b>	 1pcs  4pcs
<b>H</b>		10pcs	<b>I</b>		2pcs	<b>J</b>		3pcs	
<b>K</b>		5pcs	<b>L</b>	 1pcs  4pcs  2pcs  4pcs  4pcs					
<b>M</b>	 1pcs  1pcs  2pcs  1pcs  1pcs								
<b>N</b>		4pcs							



Step 7

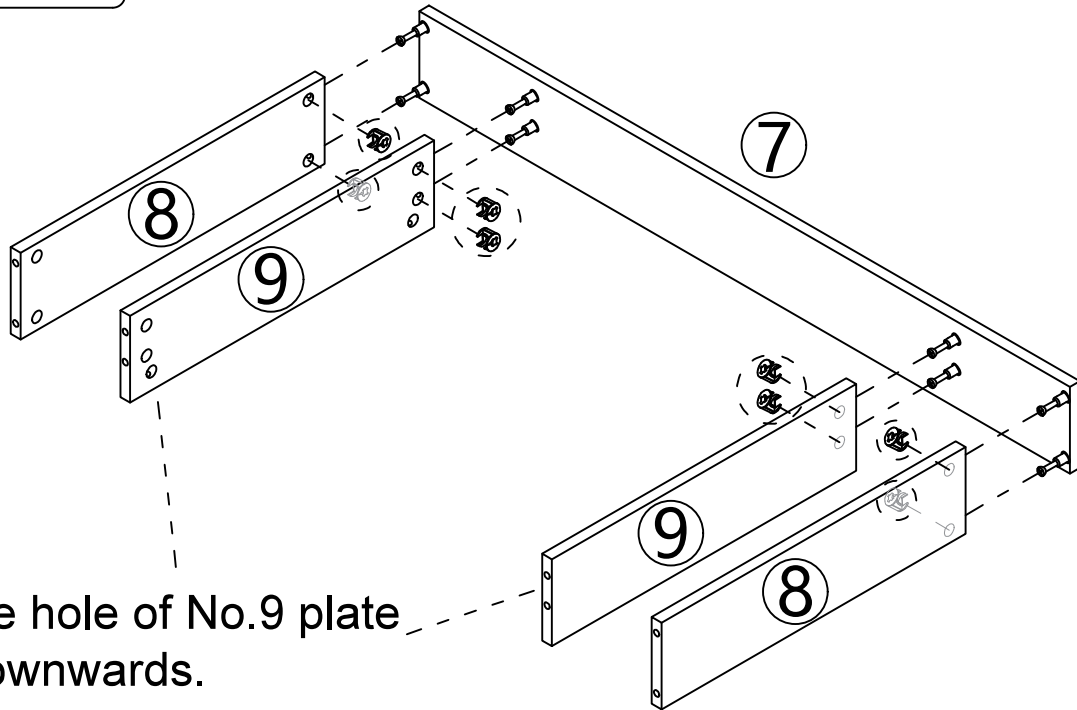


Step 8




# Step 9

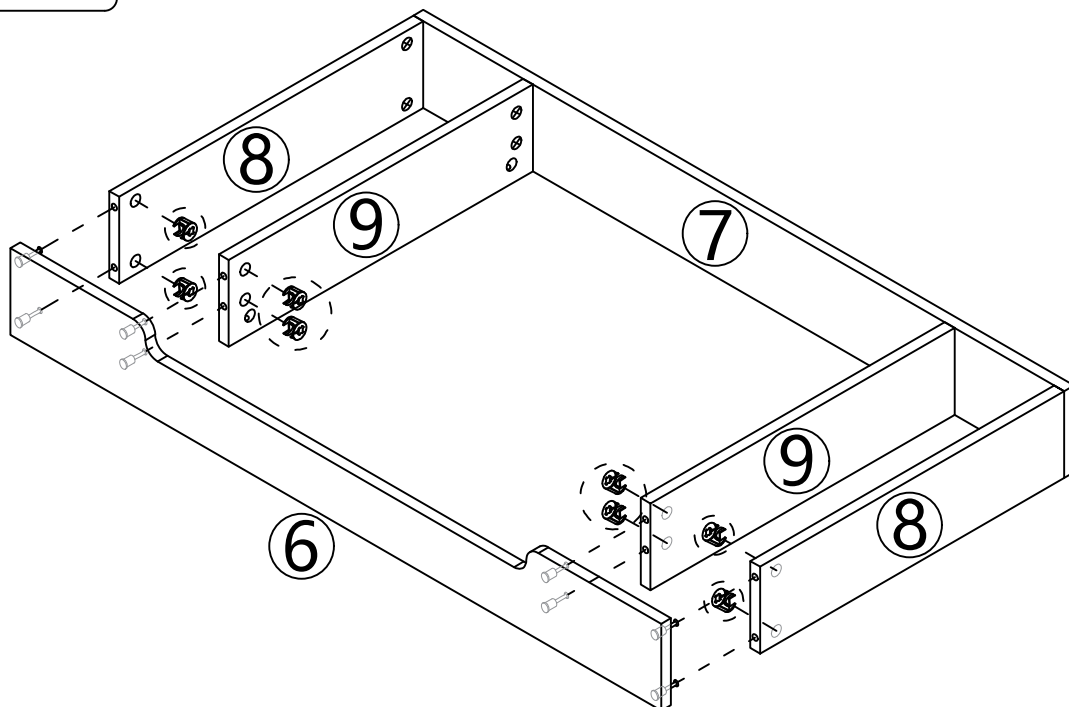
(B)  x8



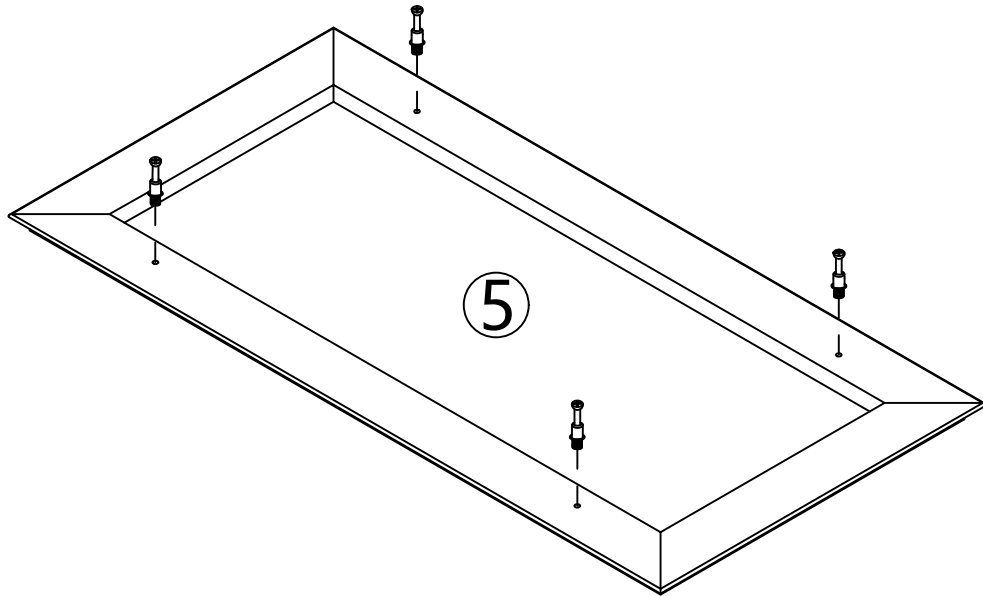
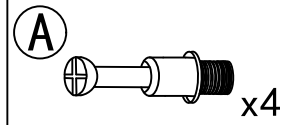
Note: the hole of No.9 plate faces downwards.

# Step 10

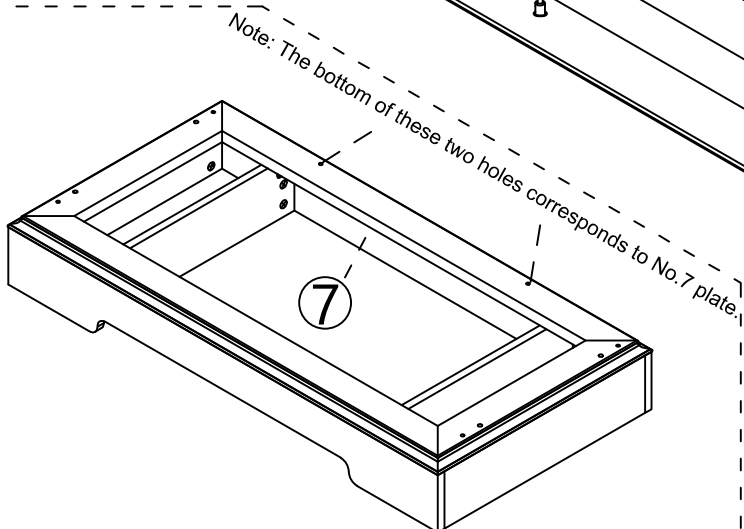
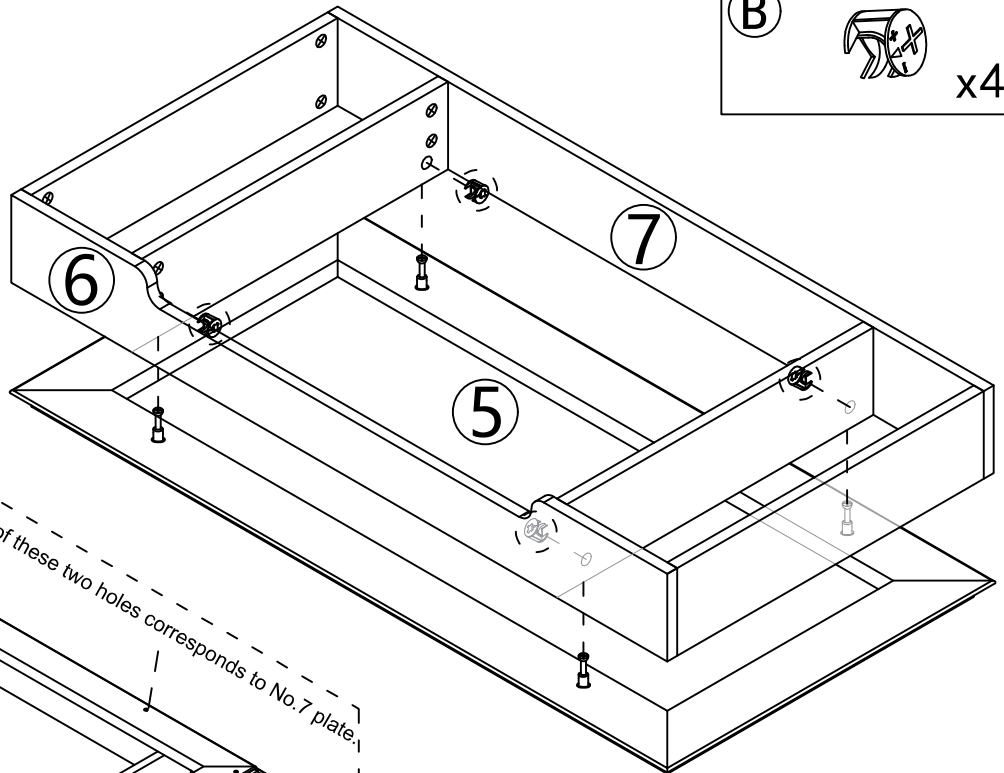
(B)  x8



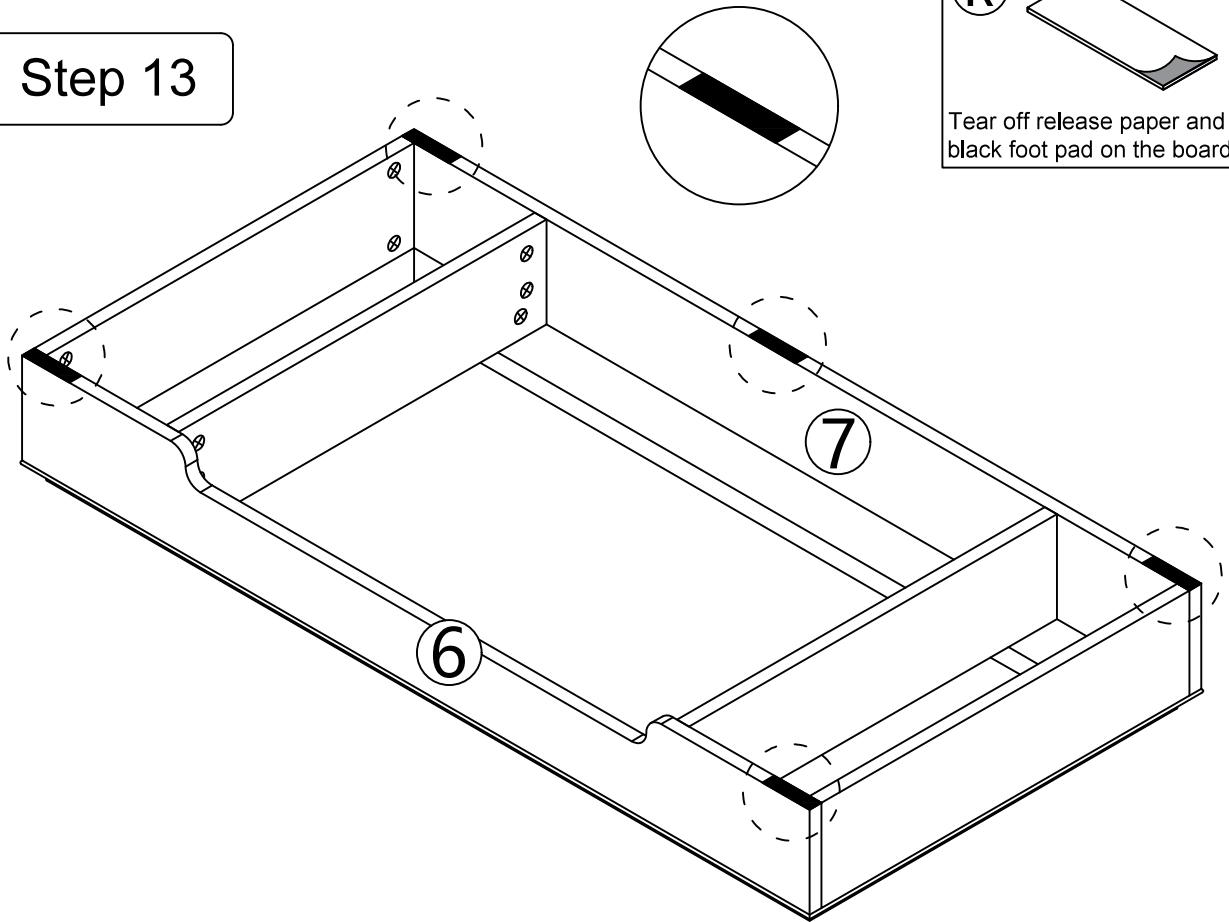
# Step 11



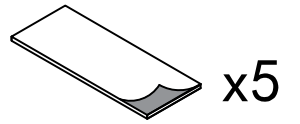
# Step 12



# Step 13

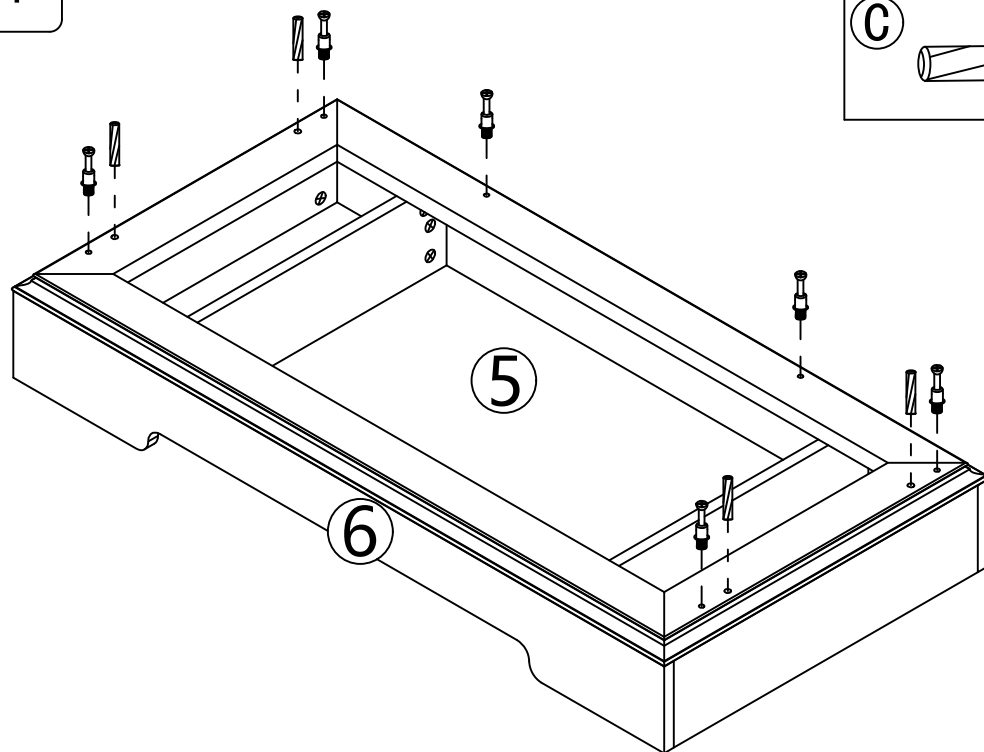


(K)

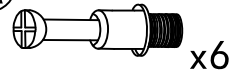


Tear off release paper and stick the black foot pad on the board

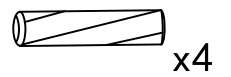
# Step 14



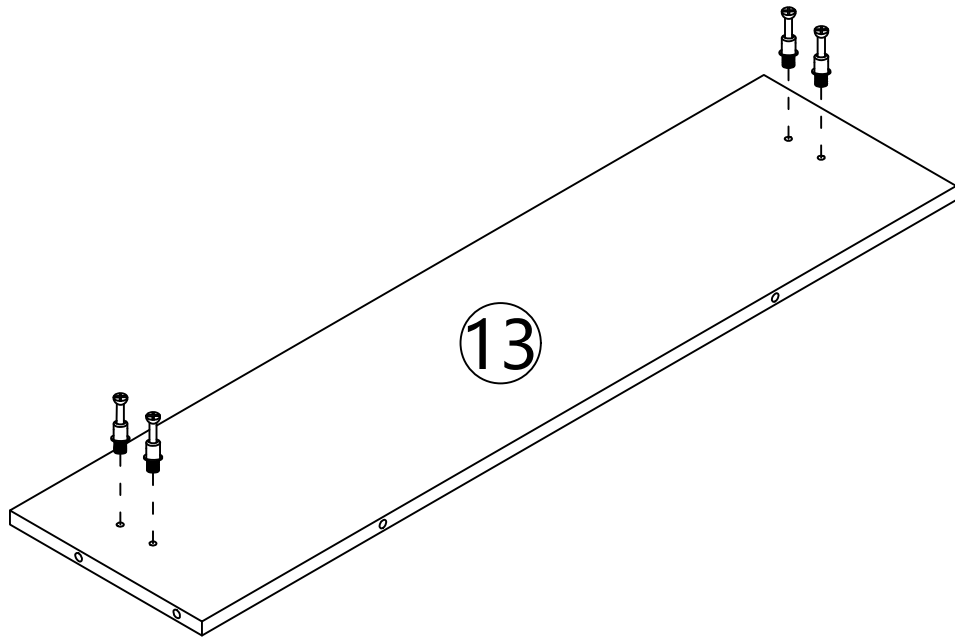
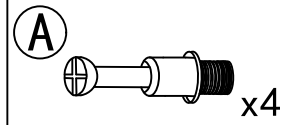
(A)



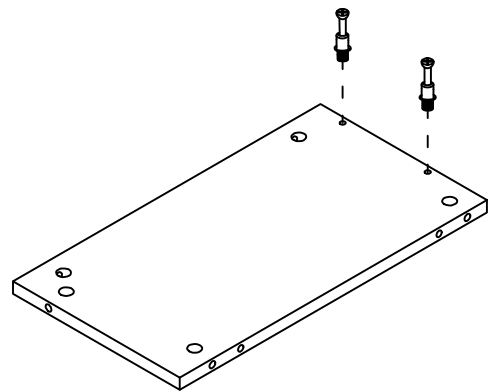
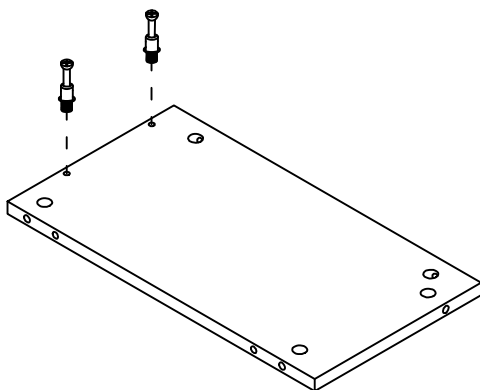
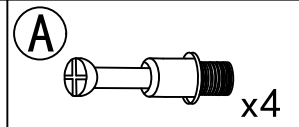
(C)



Step 15

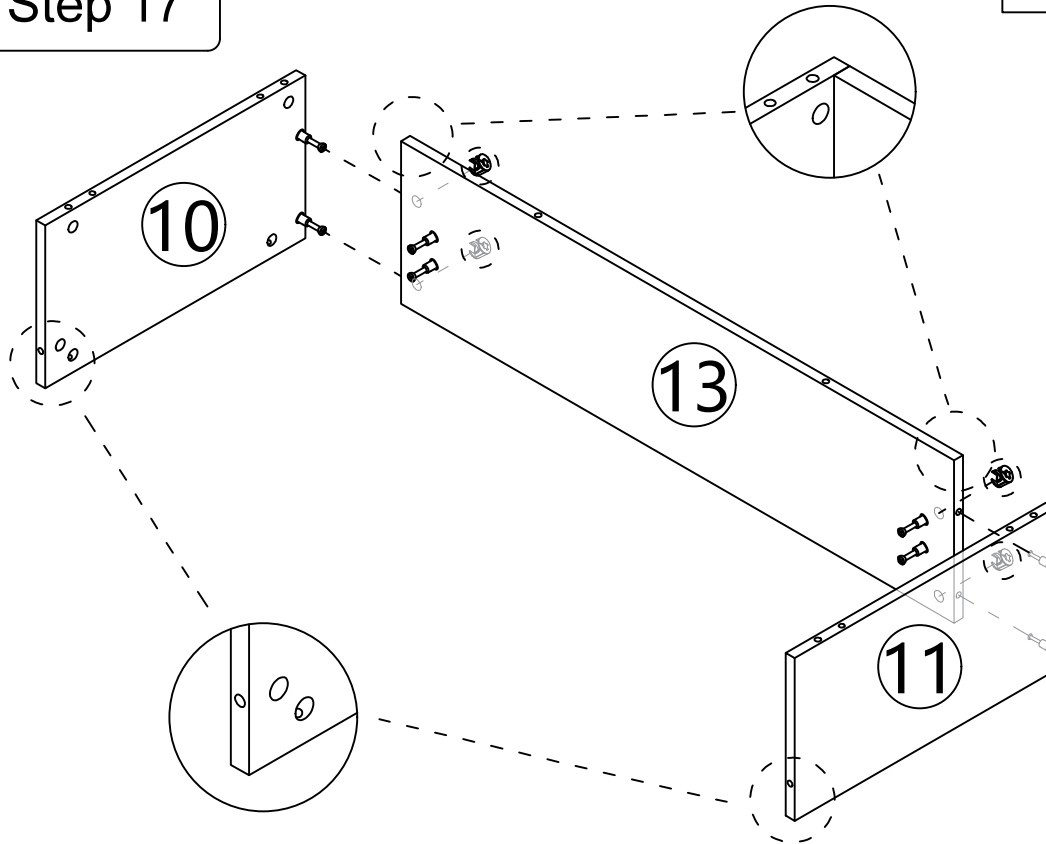


Step 16




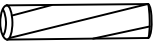
Step 17

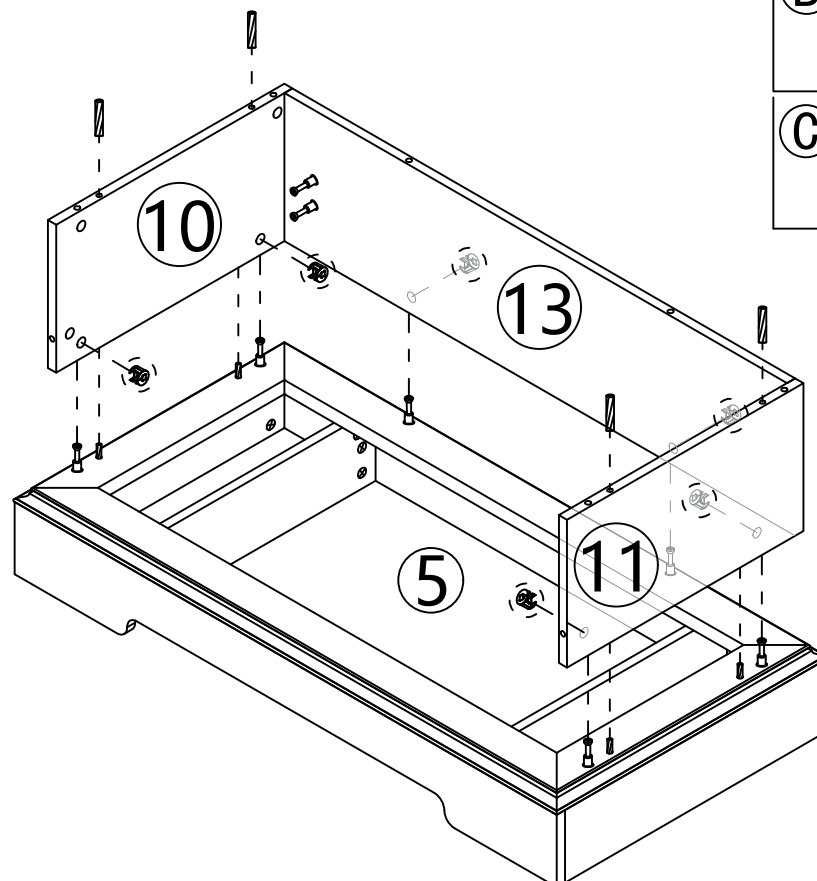
**B**  x4



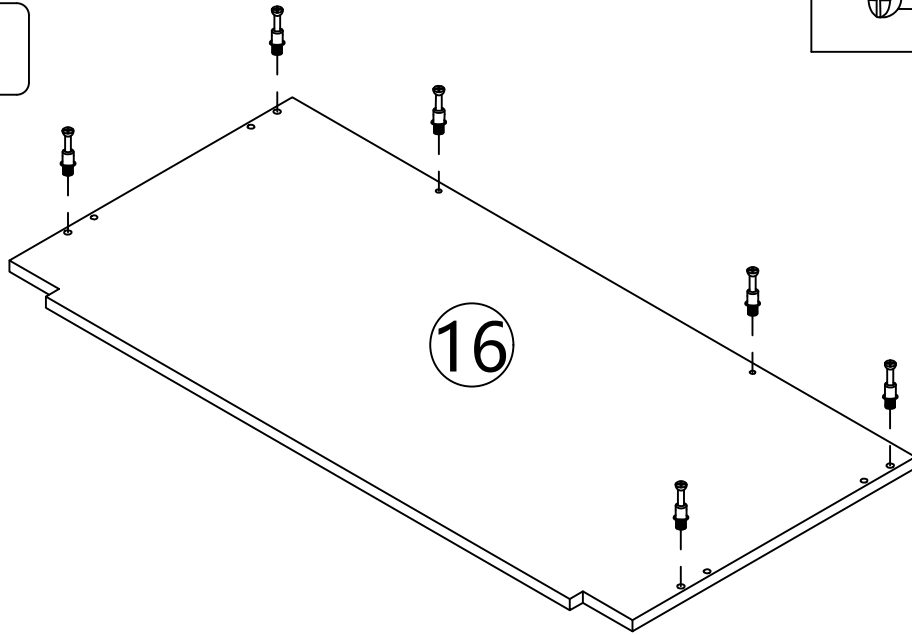
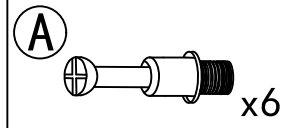
Step 18

**B**  x6

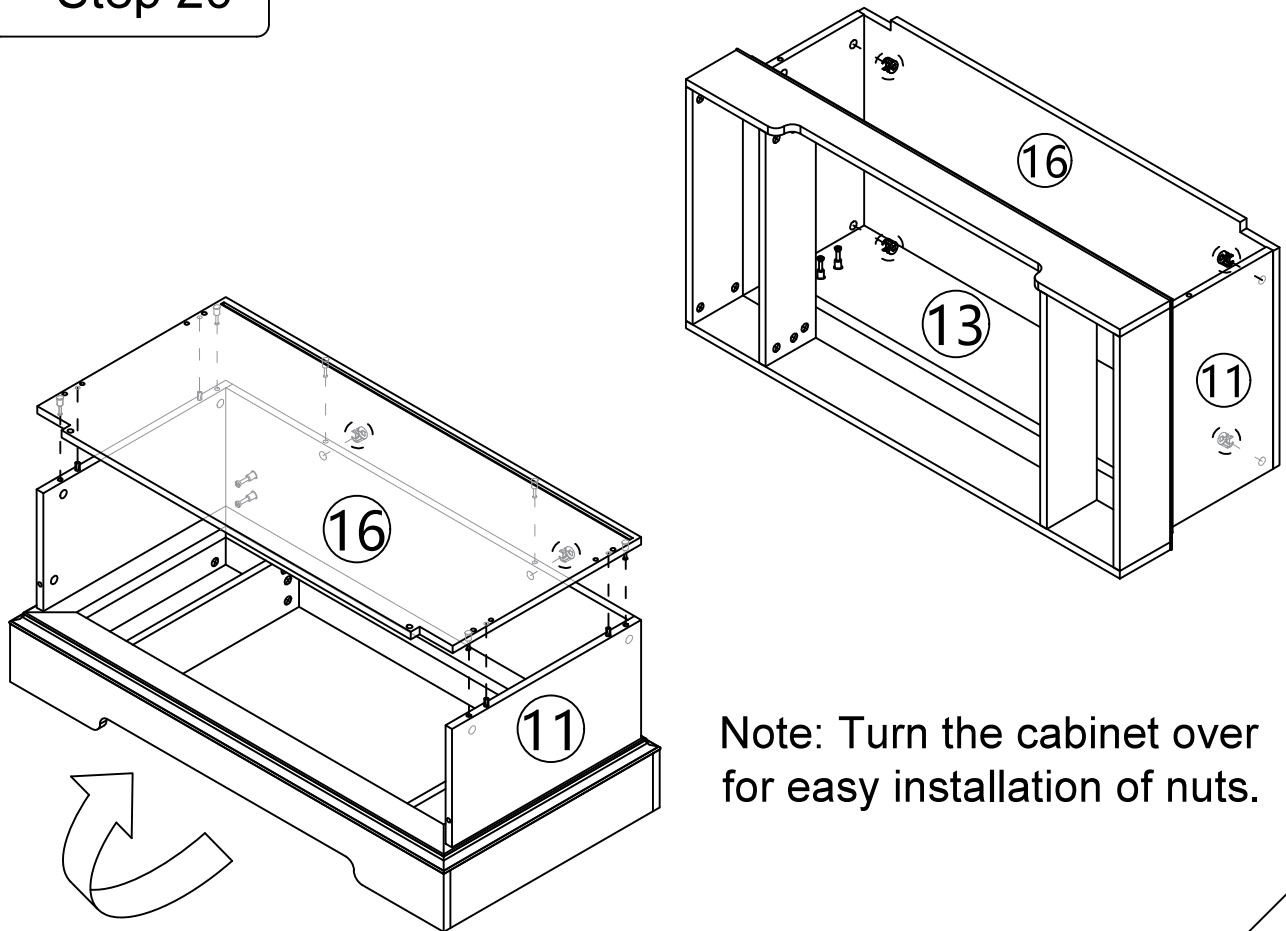
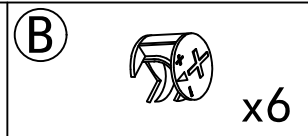
**C**  x4



Step 19



Step 20

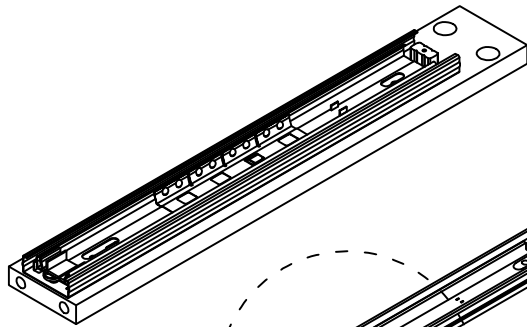
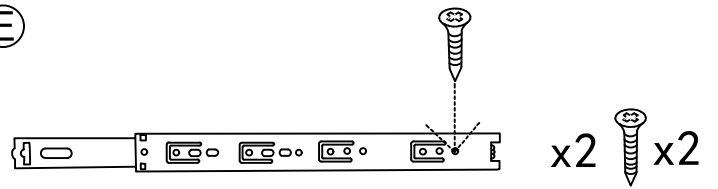


Note: Turn the cabinet over for easy installation of nuts.

Need to flip over

## Step 21

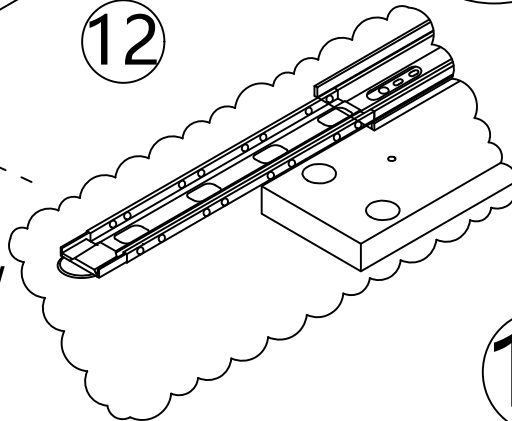
(E)



Note: Install only the rear holes.

The guide rail at this location will not be screwed on for now

12



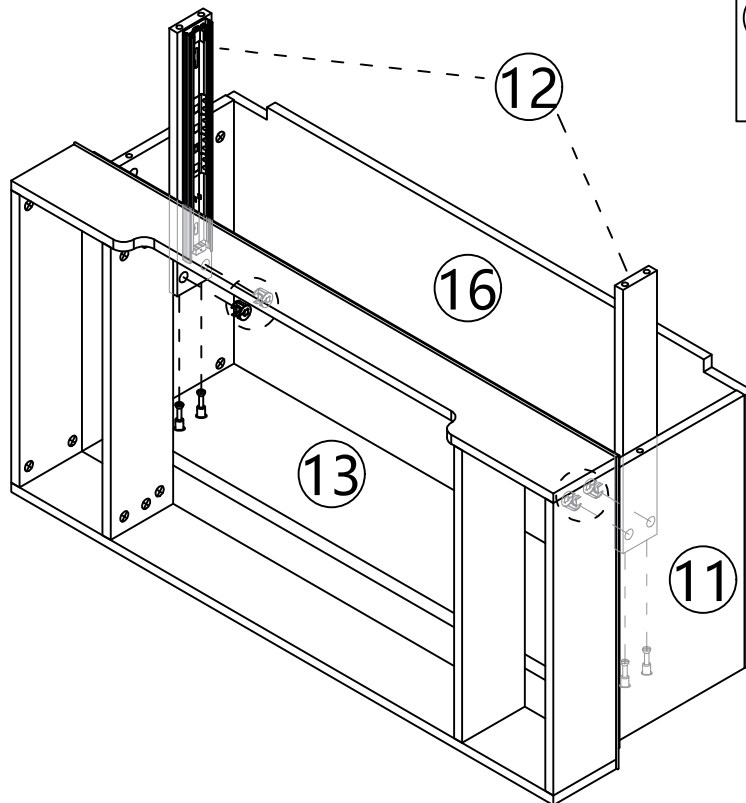
12 x 2

## Step 22

(B)



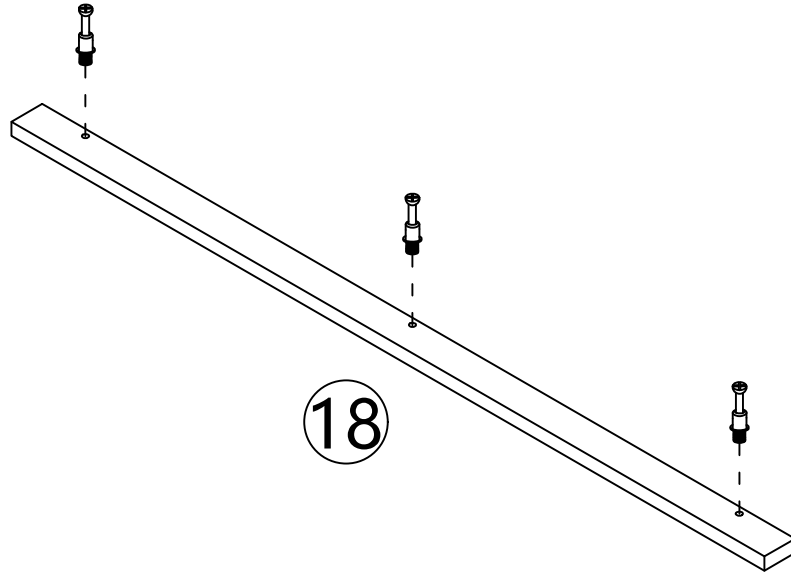
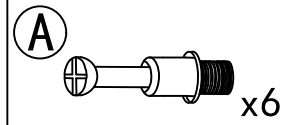
x4



Note: the side of the guide rail where the screws are installed is installed to the 13th board.

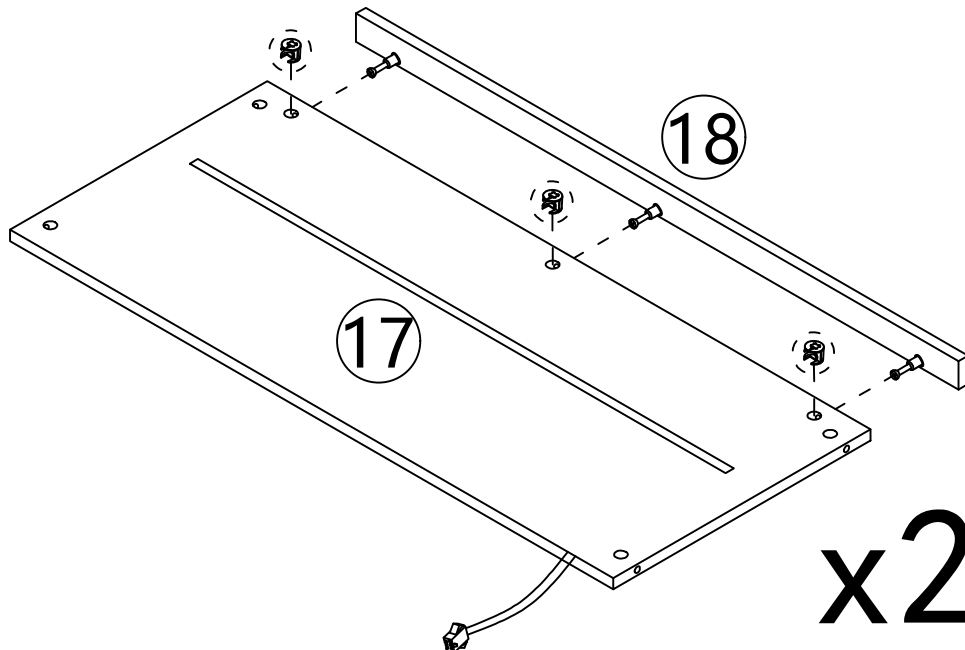
18

Step 23



18 x 2

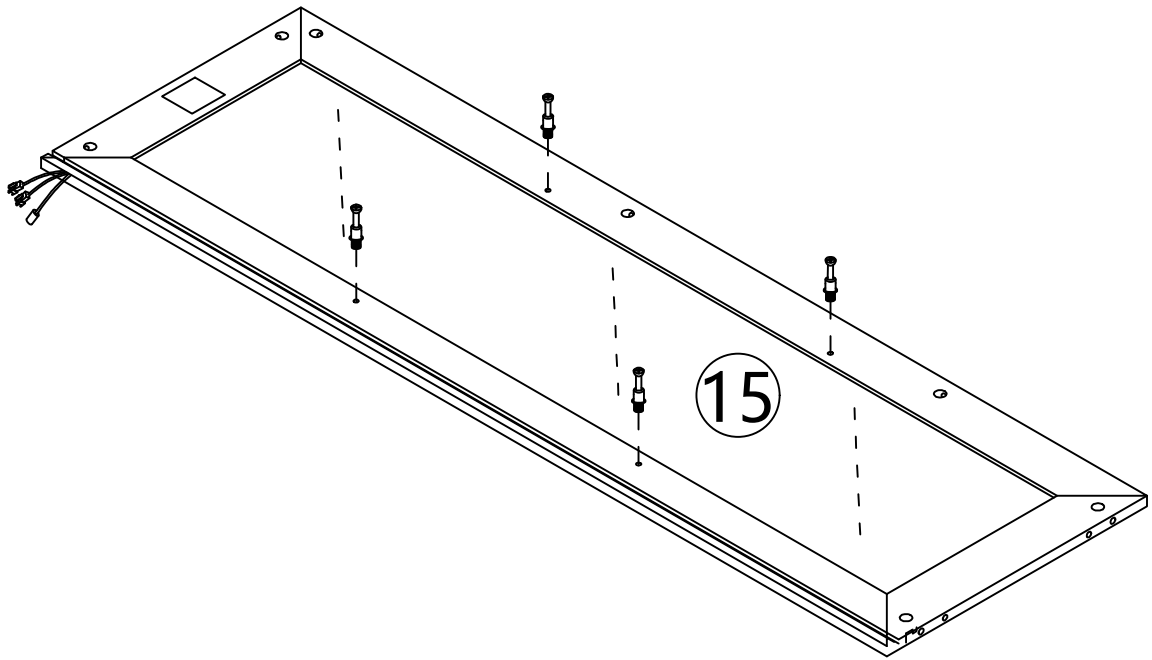
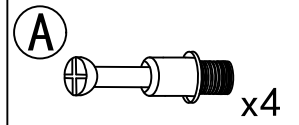
Step 24



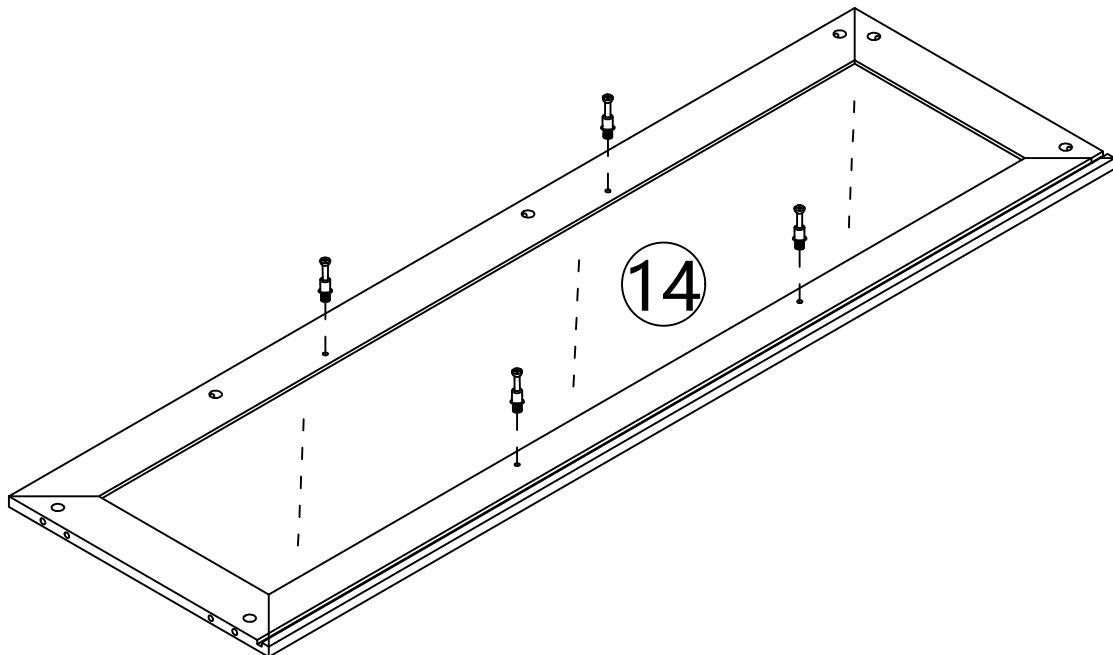
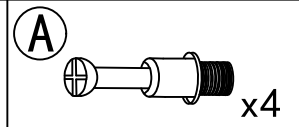
x2

19

Step 25

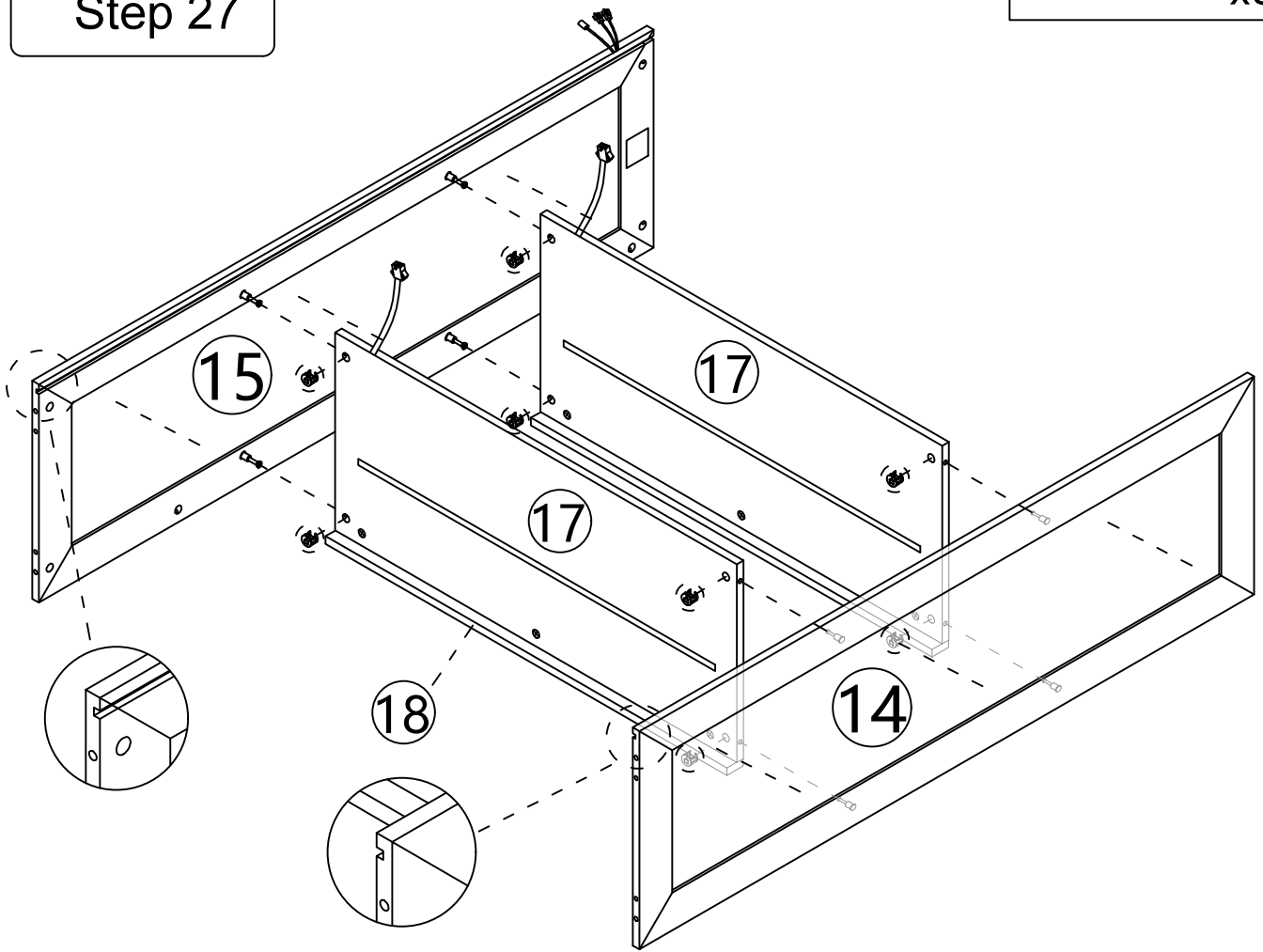


Step 26

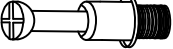



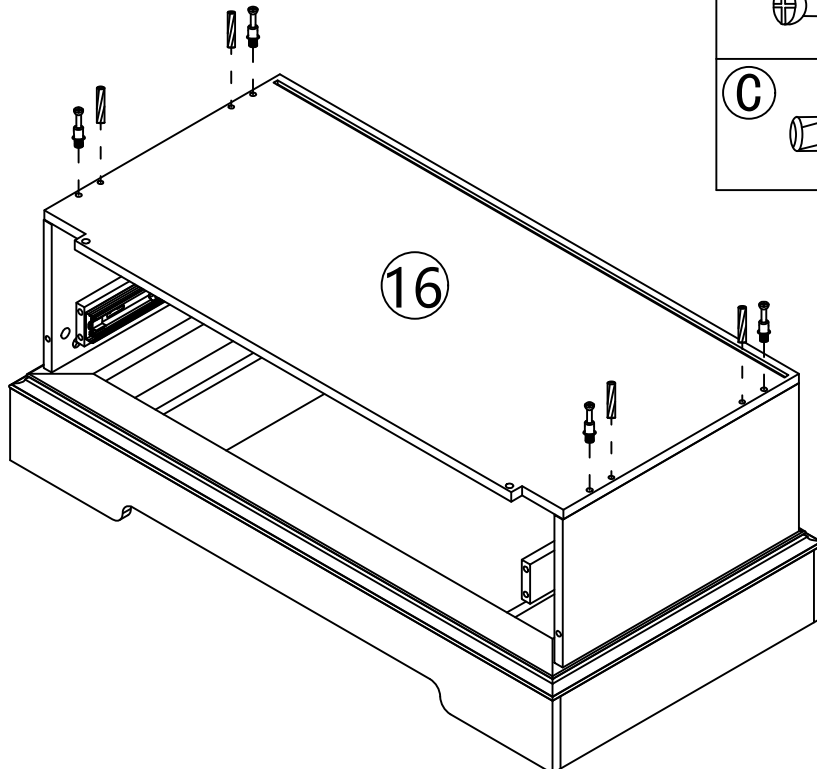
Step 27

**B**  x8



Step 28

**A**  x4  
**C**  x4

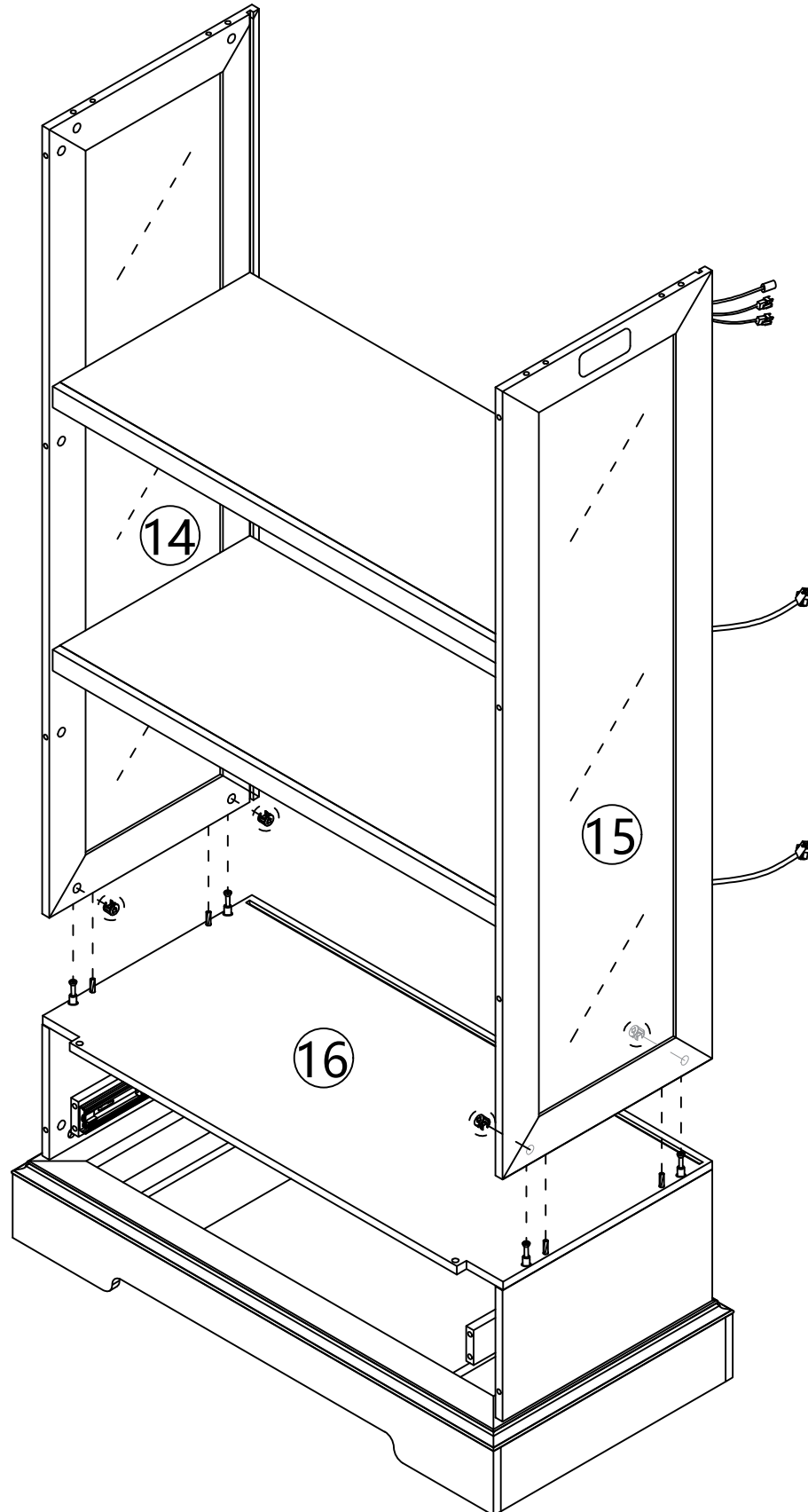


Step 29

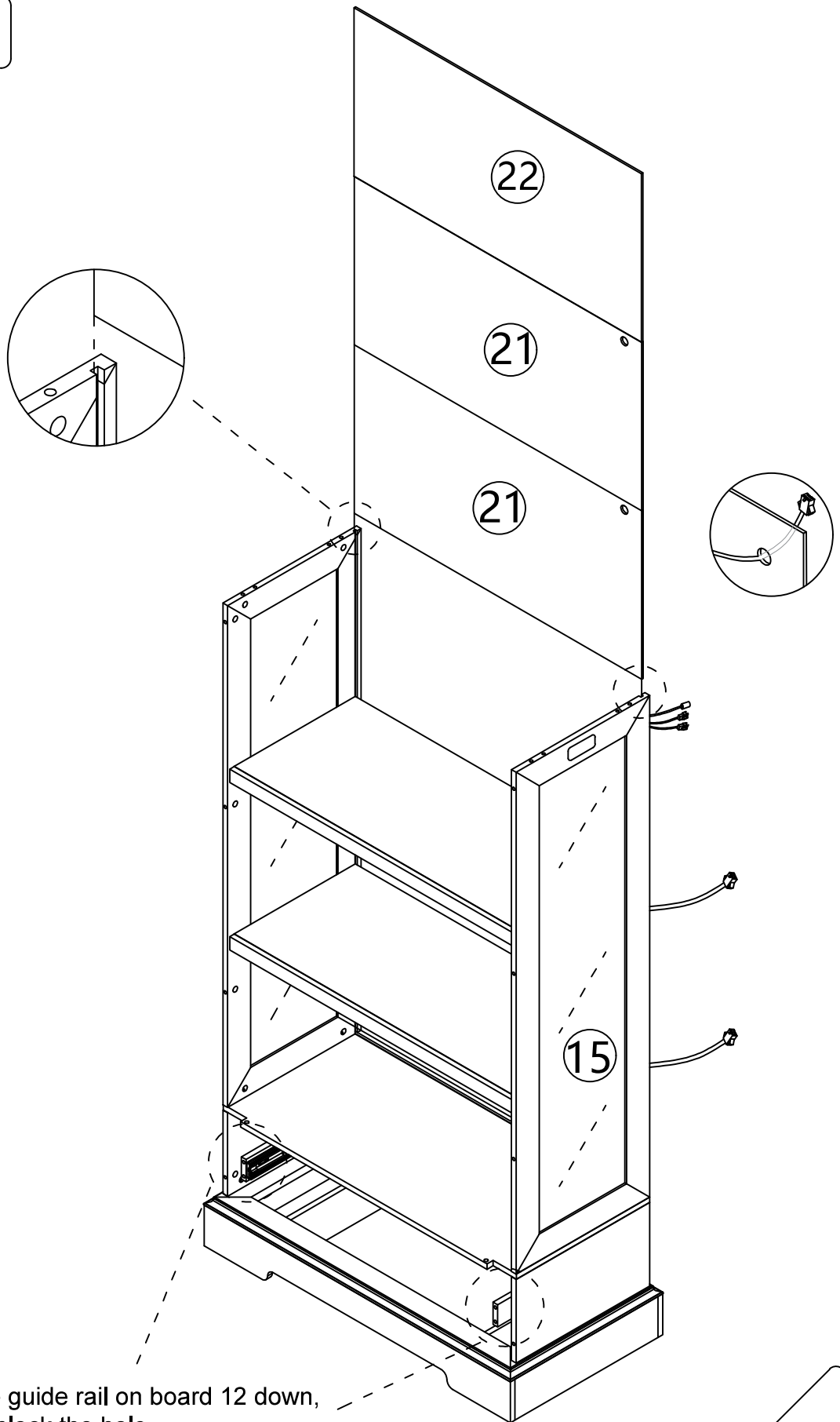
B



x4

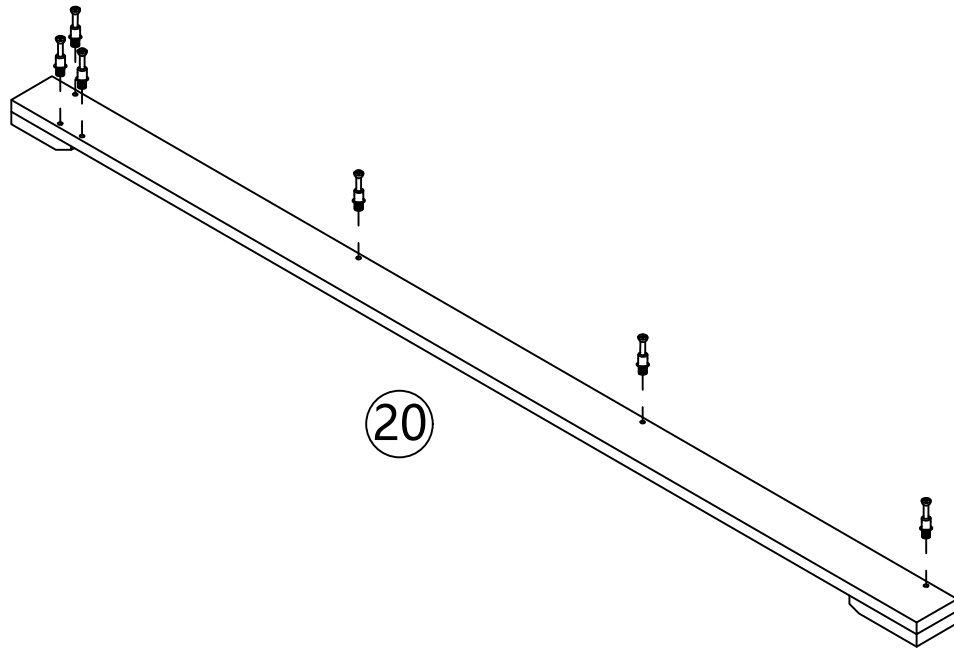
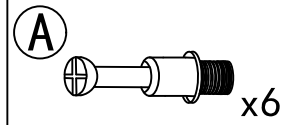


Step 30

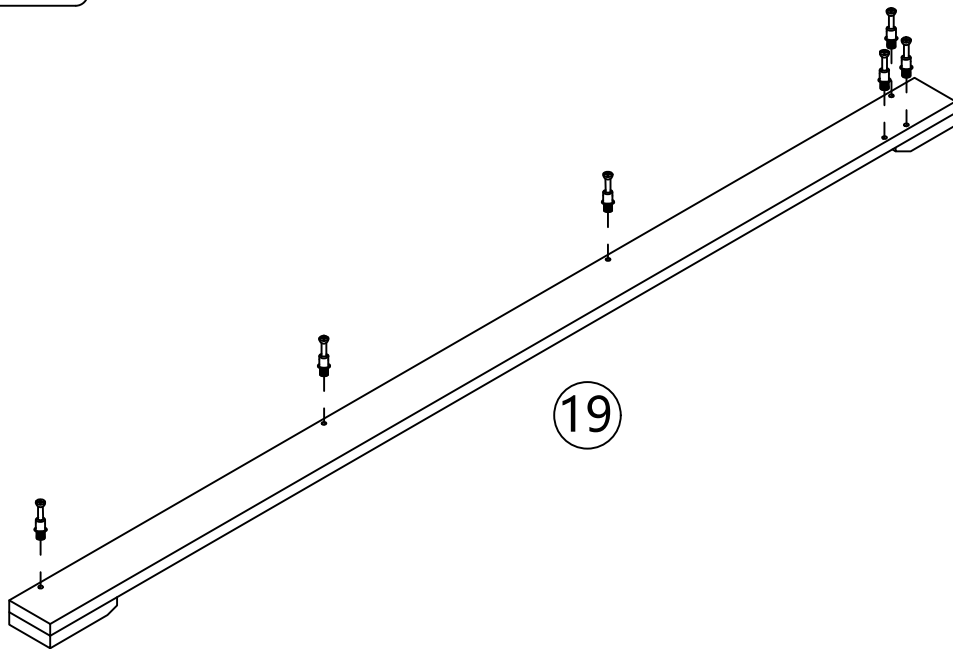
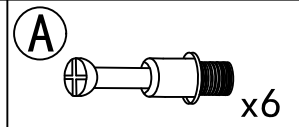


Note: Move the guide rail on board 12 down, and don't let it block the hole.

Step 31



Step 32

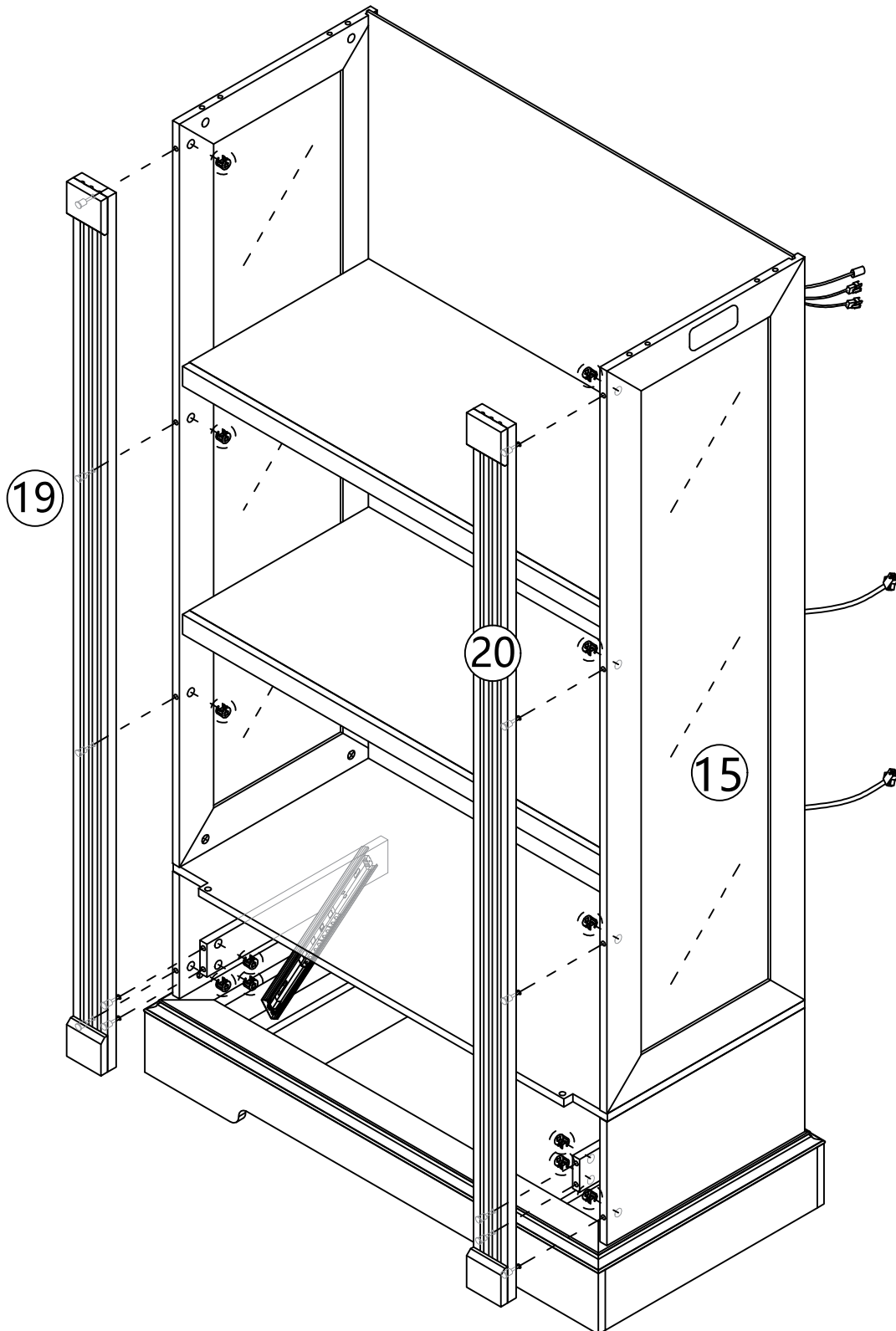


Step 33

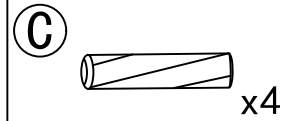
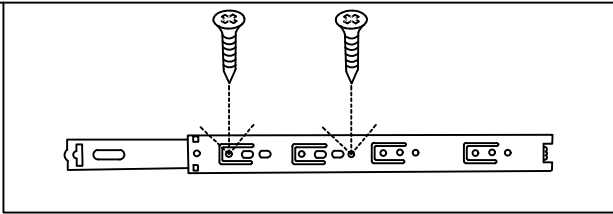
B



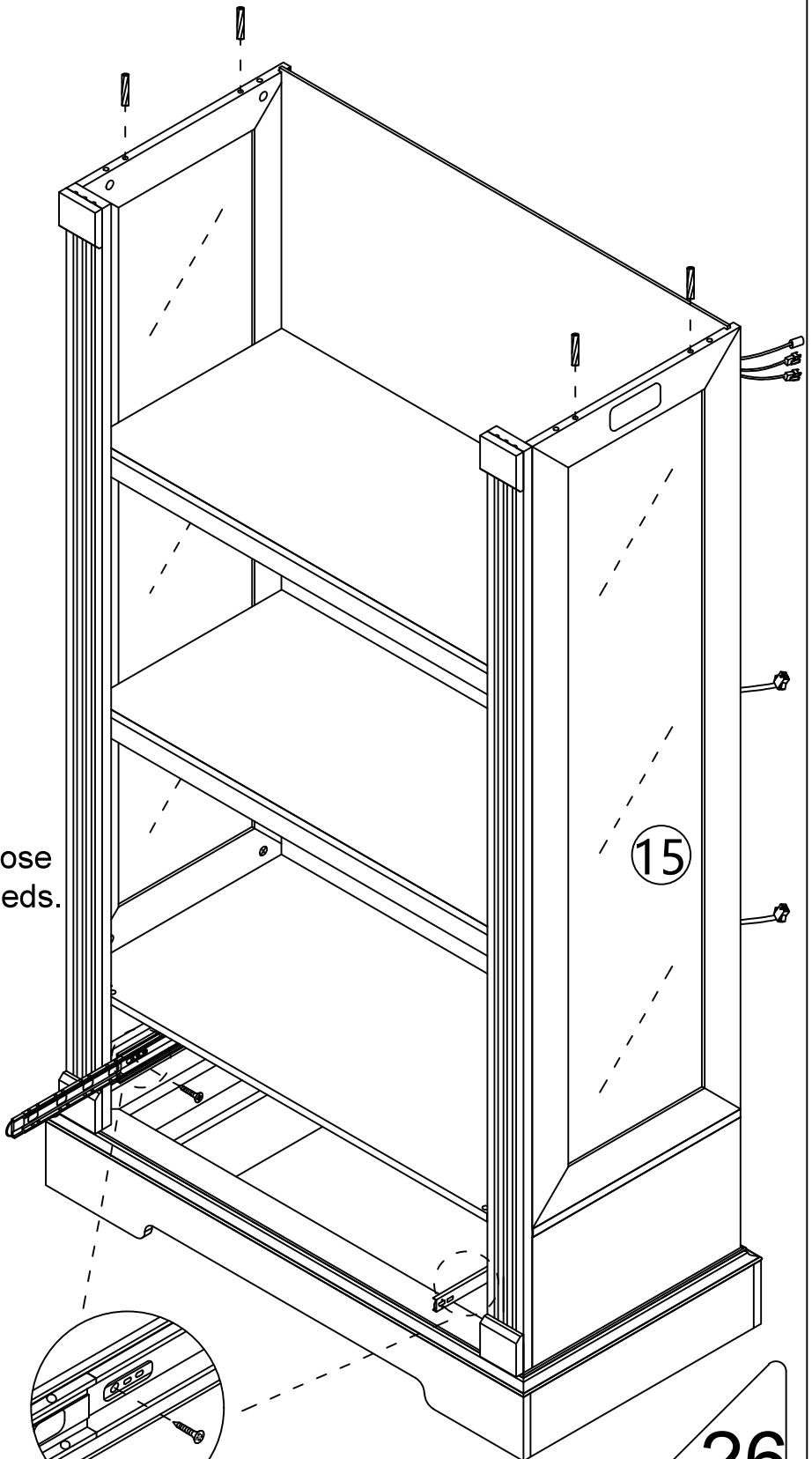
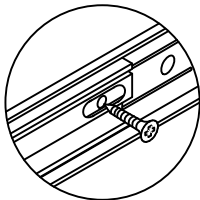
x12



# Step 34

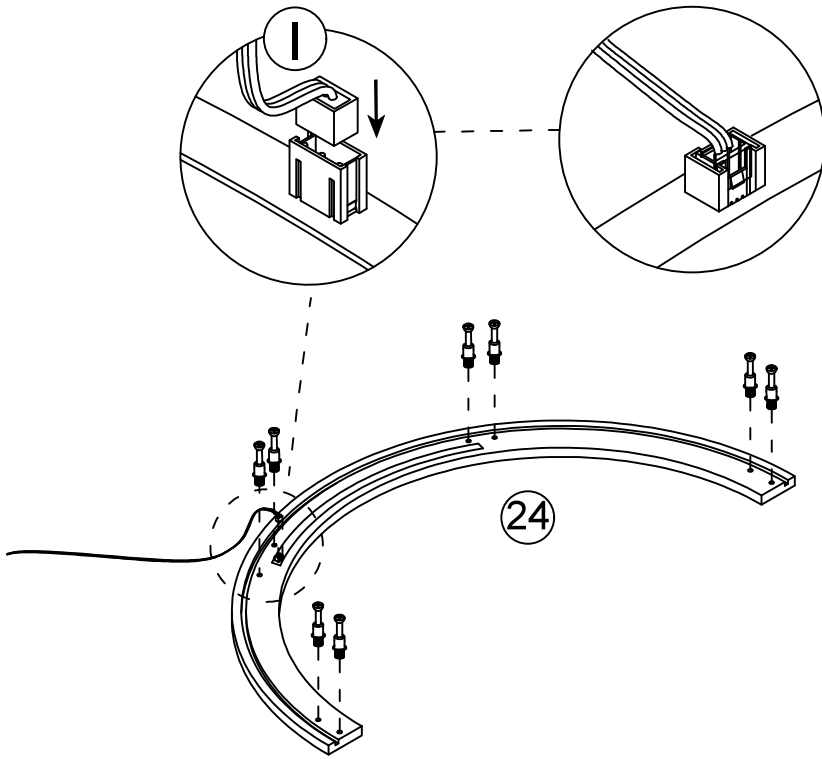
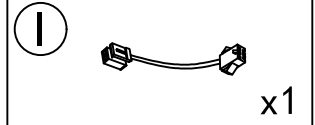
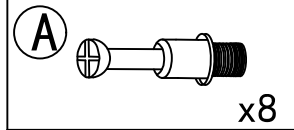


This hole is for strengthening  
fixed hole customers can choose  
to install according to their needs.

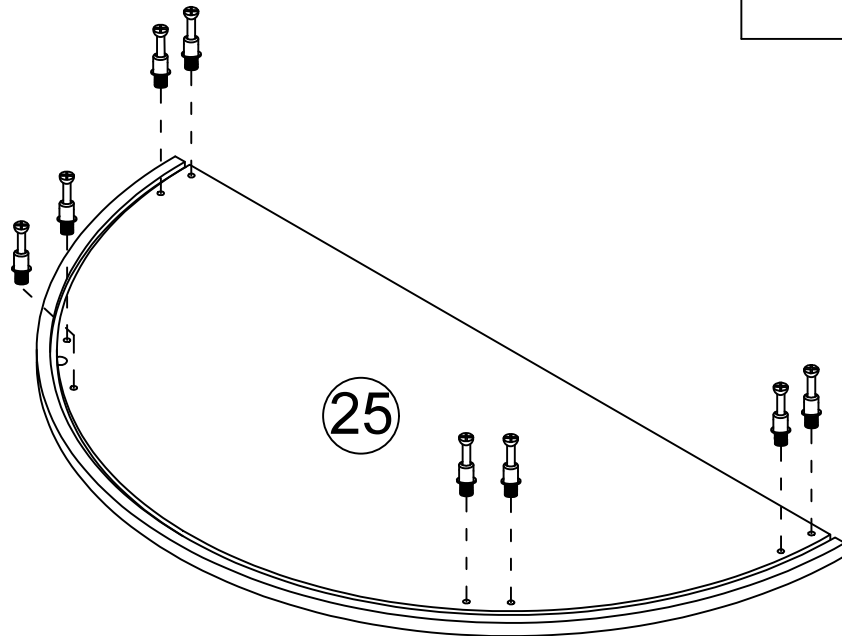
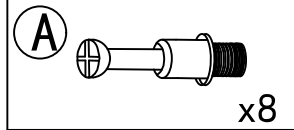


Step 35

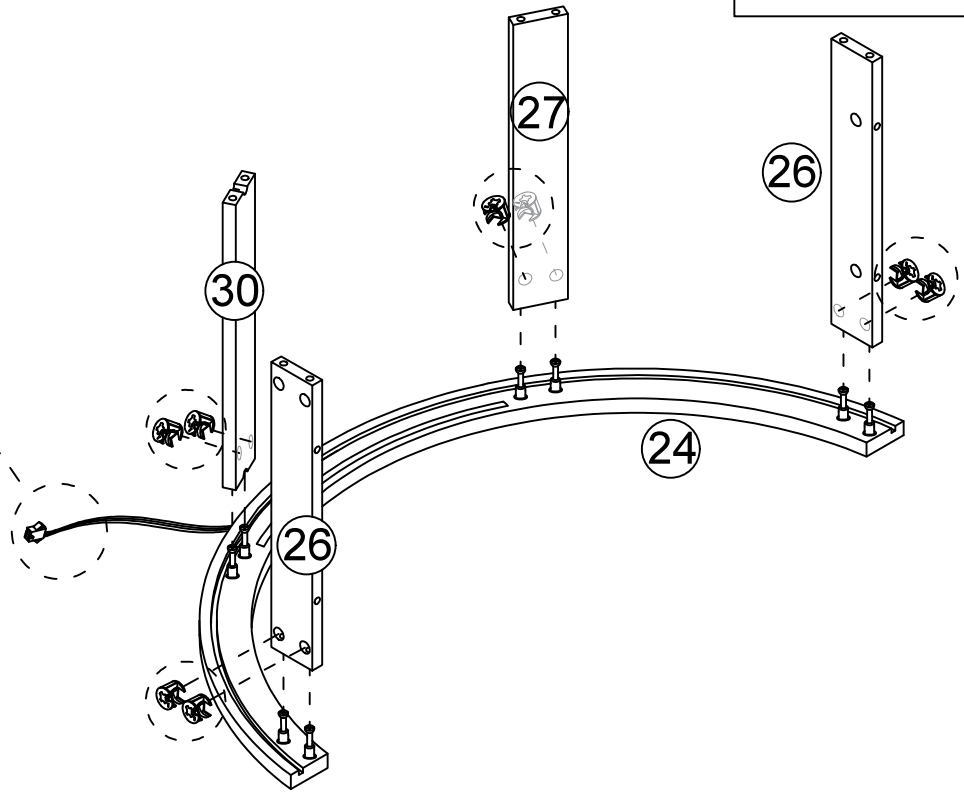
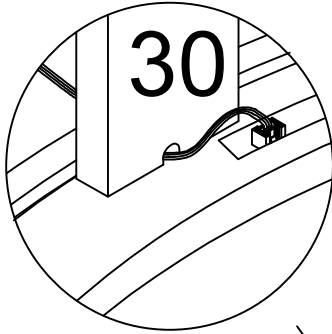
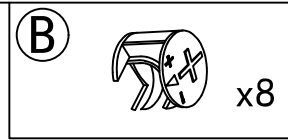
Connect the light cable socket



Step 36

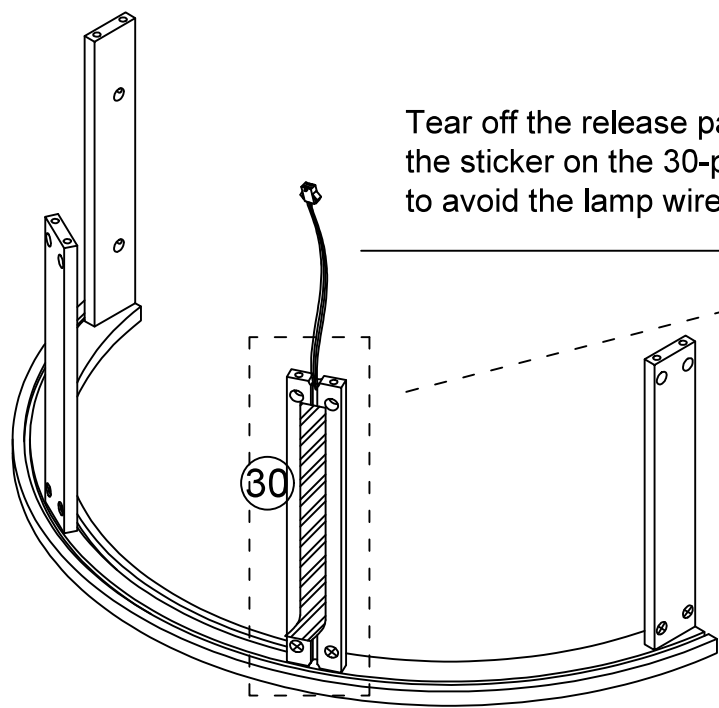
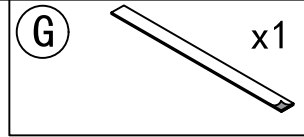


Step 37

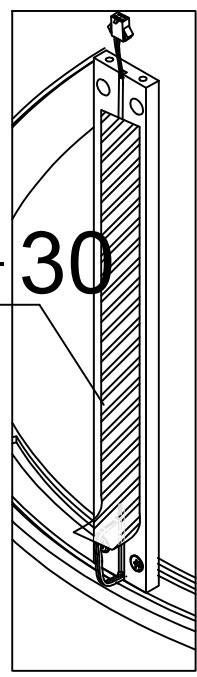


Thread the light wire through board 30 and tighten the nut

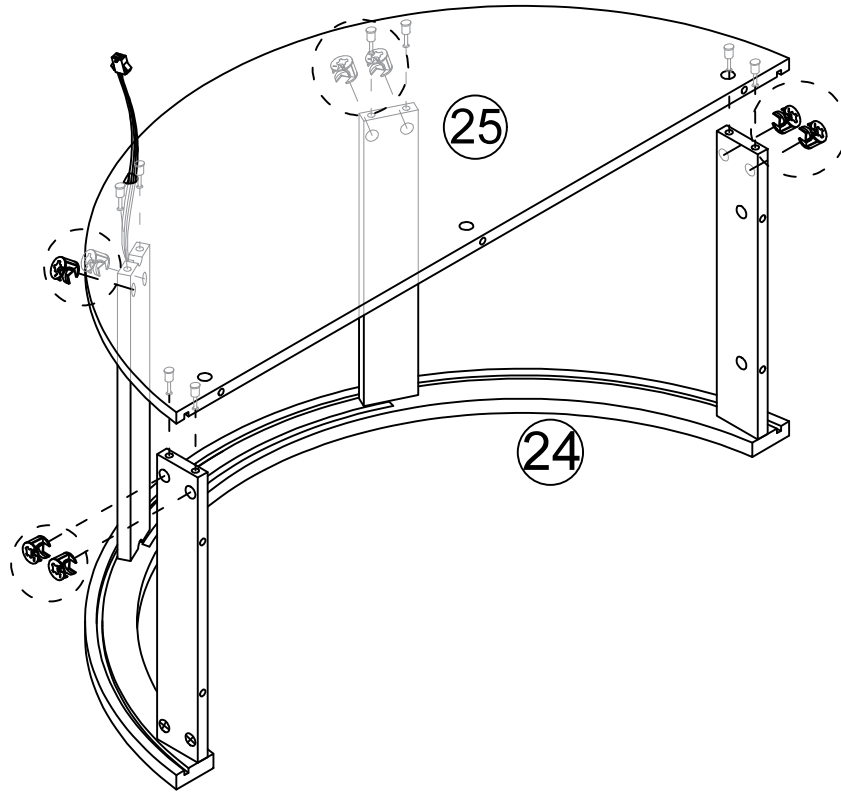
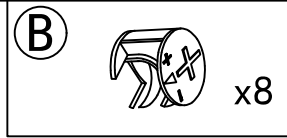
Step 38



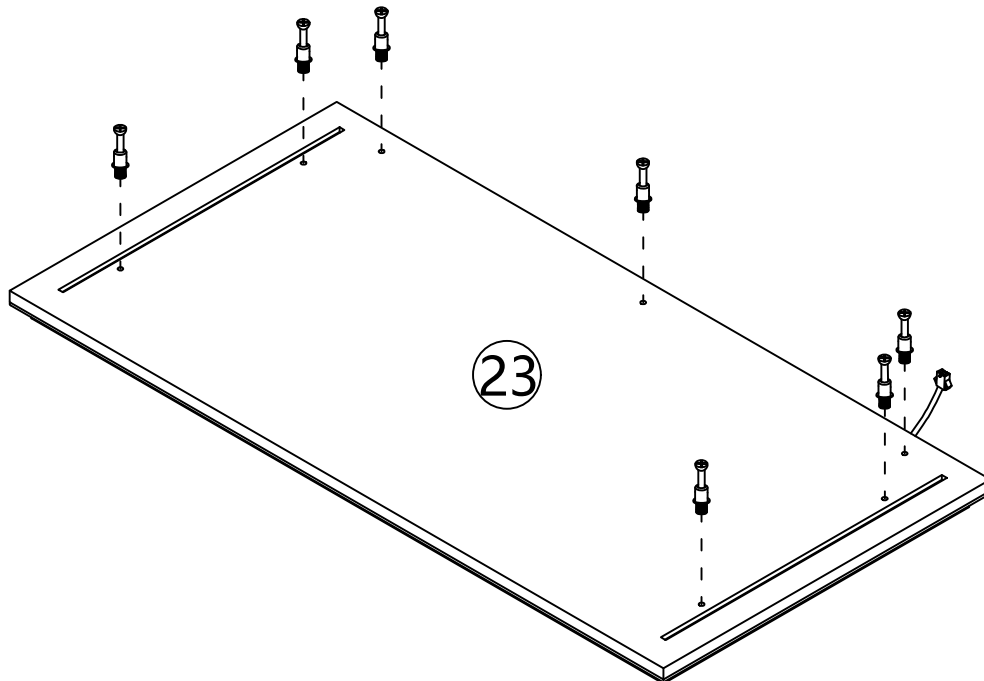
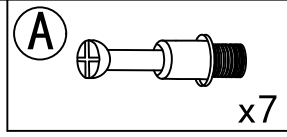
Tear off the release paper and stick the sticker on the 30-plate lamp slot to avoid the lamp wire from falling off.



Step 39

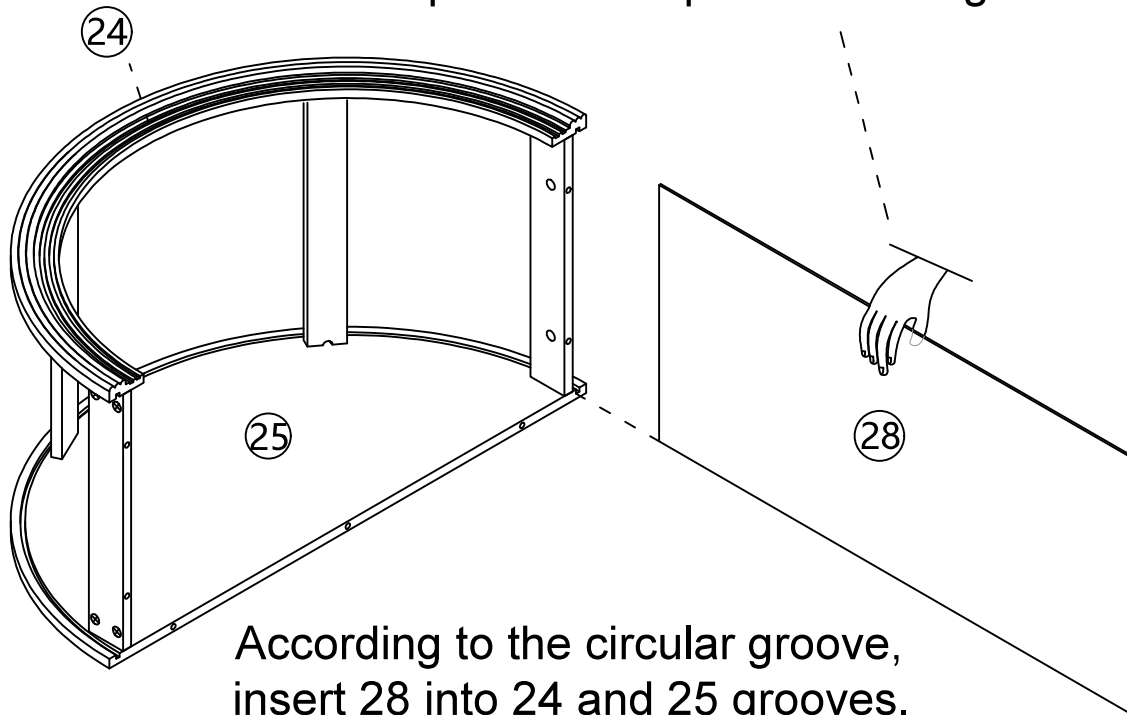


Step 40

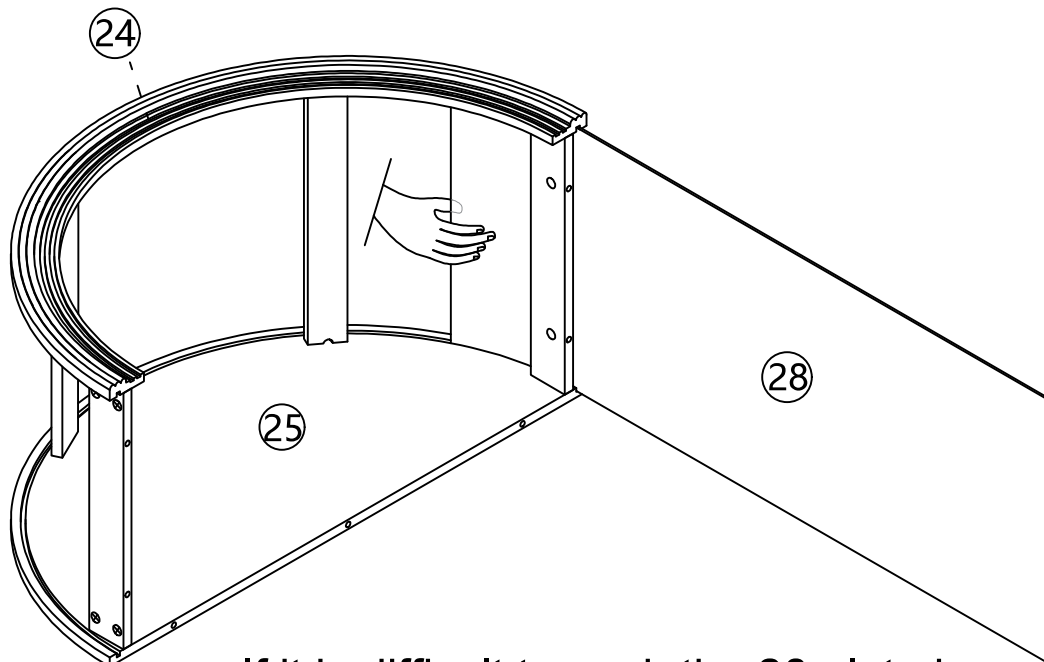


## Step 41

Note: When installing the 28 plate, push the middle of the 28 plate by hand to push the 28 plate into the groove.

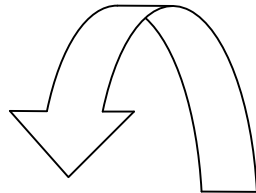
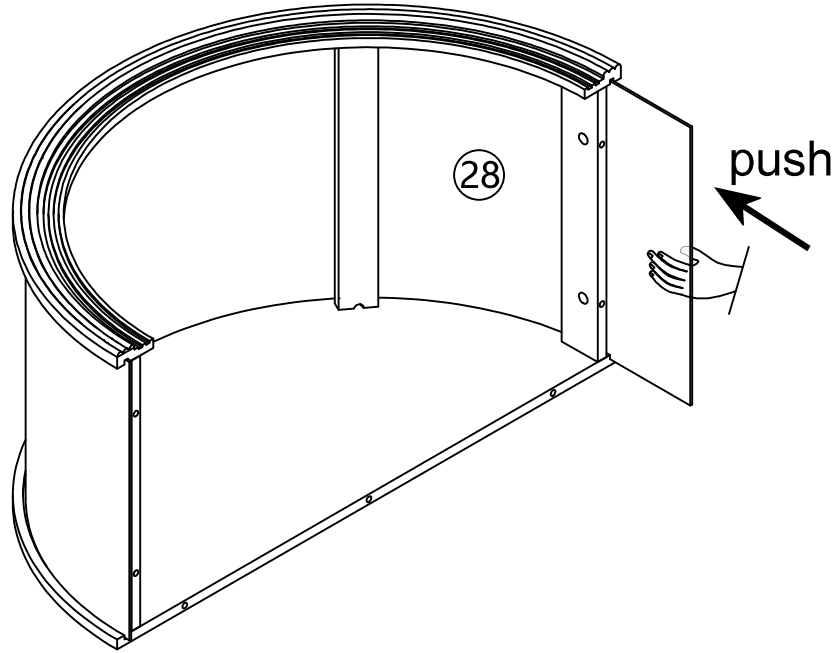


According to the circular groove, insert 28 into 24 and 25 grooves.

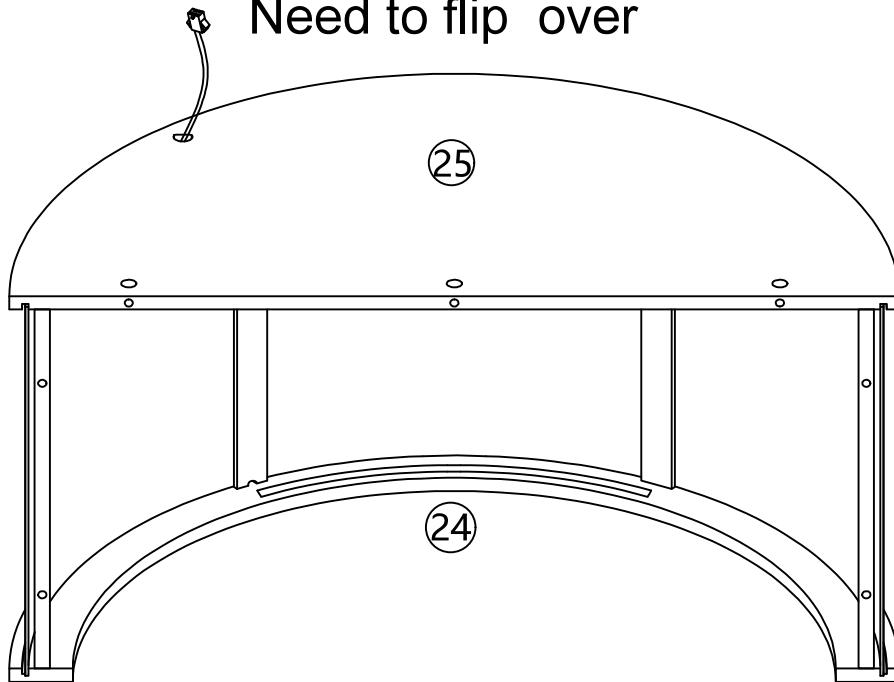


If it is difficult to push the 28 plate in, you can use the pull method.

Step 42



Need to flip over

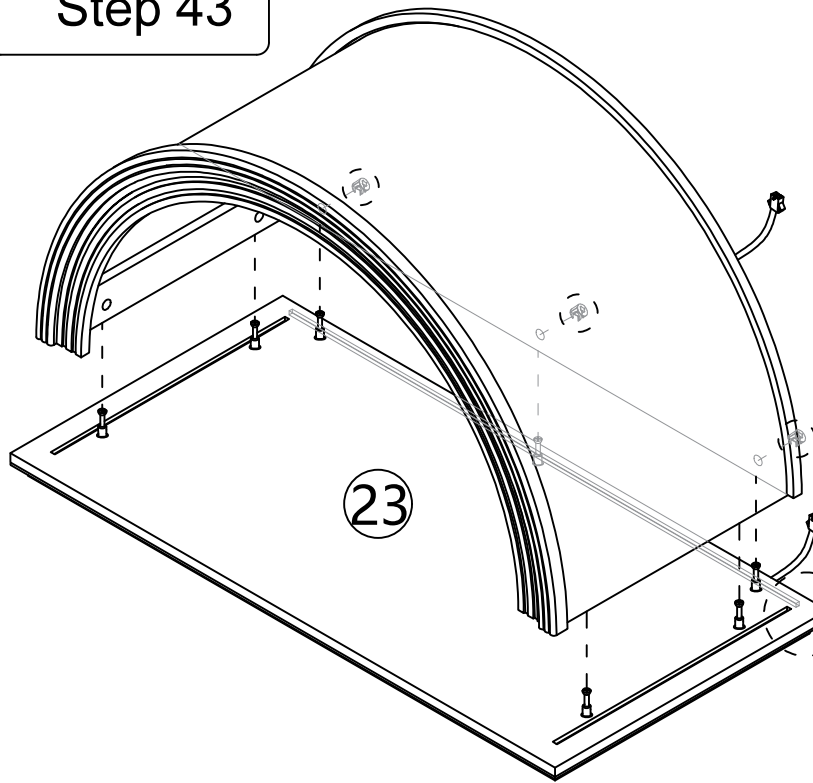


### Step 43

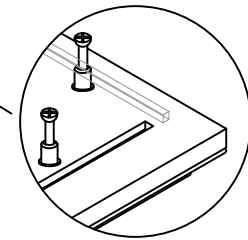
(B)



x3



When installing the 25 plate, pay attention to the front and back, and there is a groove under the 23 plate.



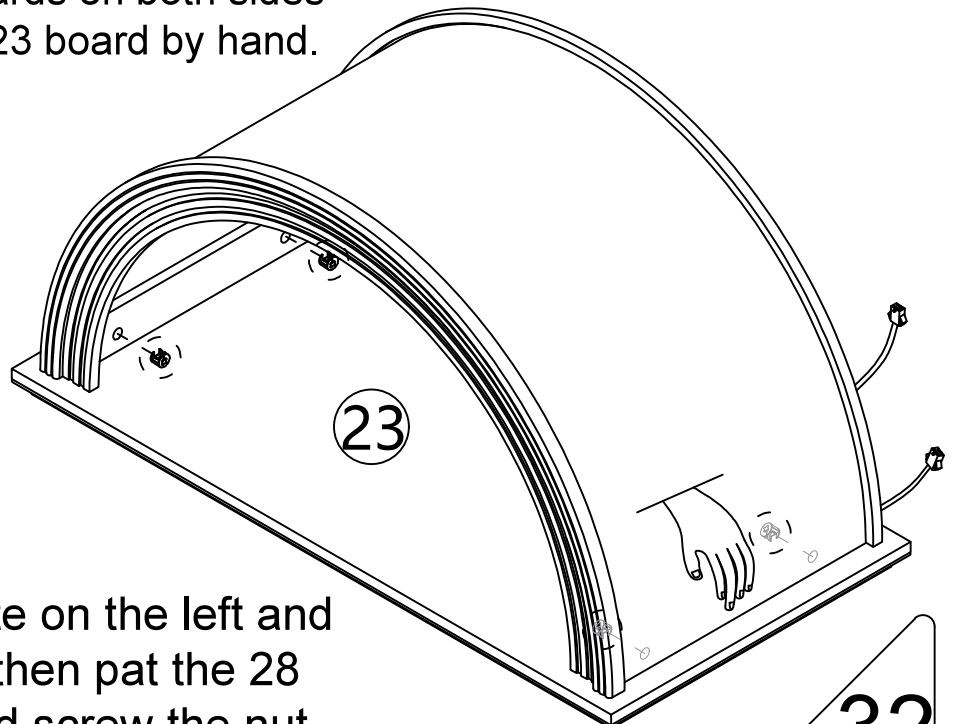
### Step 44

(B)



x4

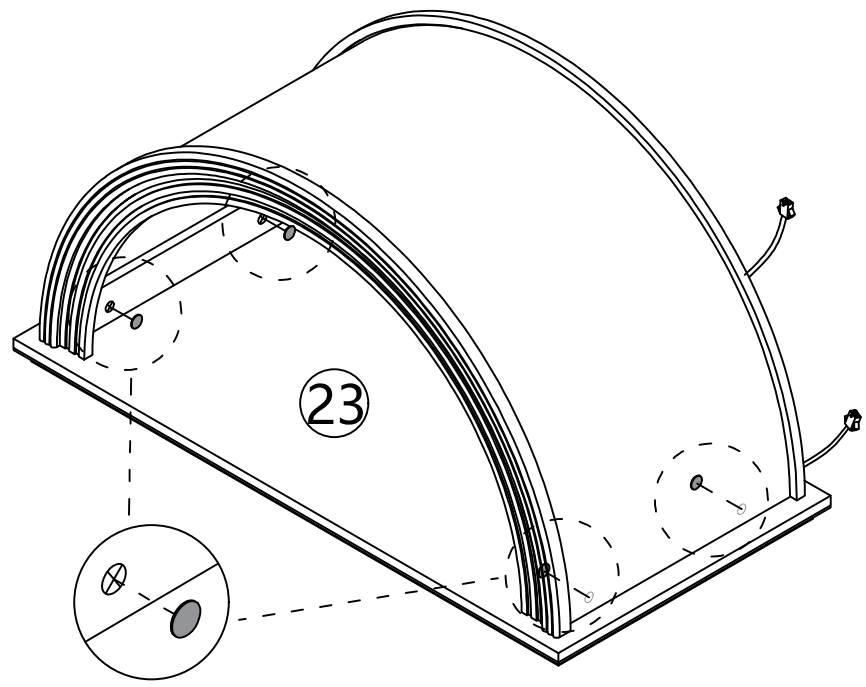
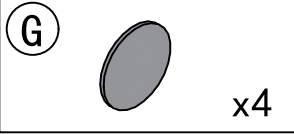
Note: After installing the 28 board, you need to pat the backboards on both sides into the grooves of the 23 board by hand.



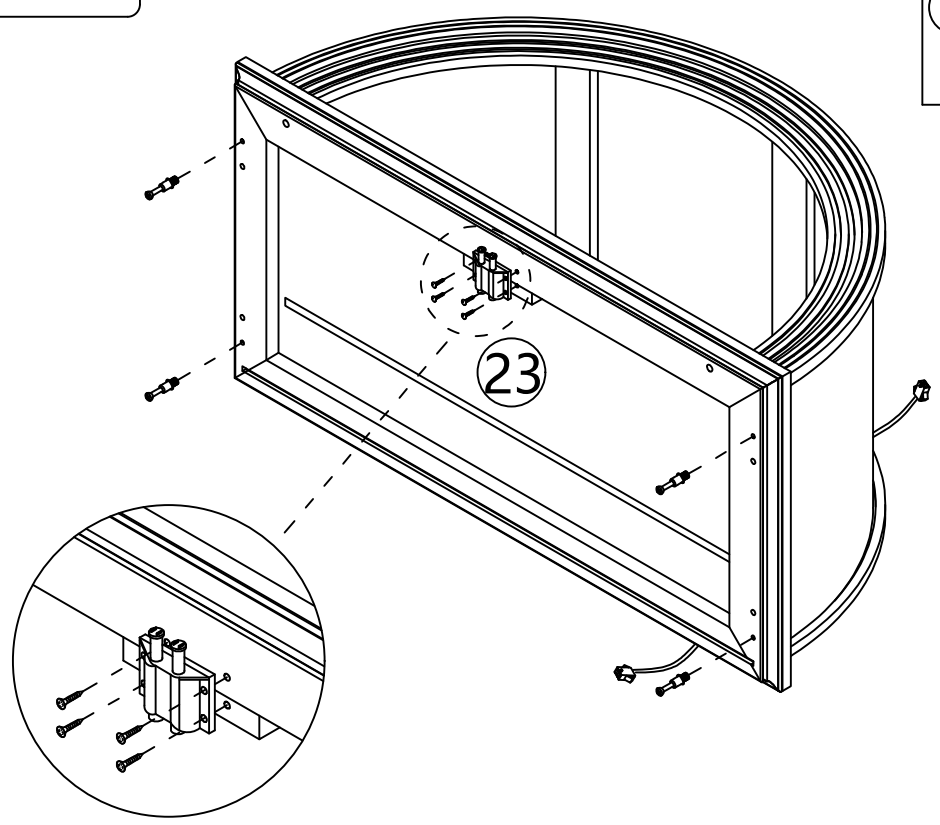
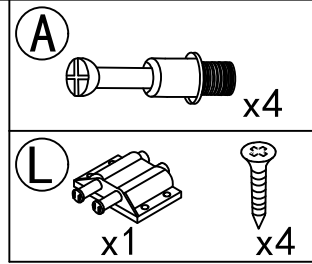
Note: pat the 28 plate on the left and then screw the nut, then pat the 28 plate on the right and screw the nut.

32

# Step 45



# Step 46

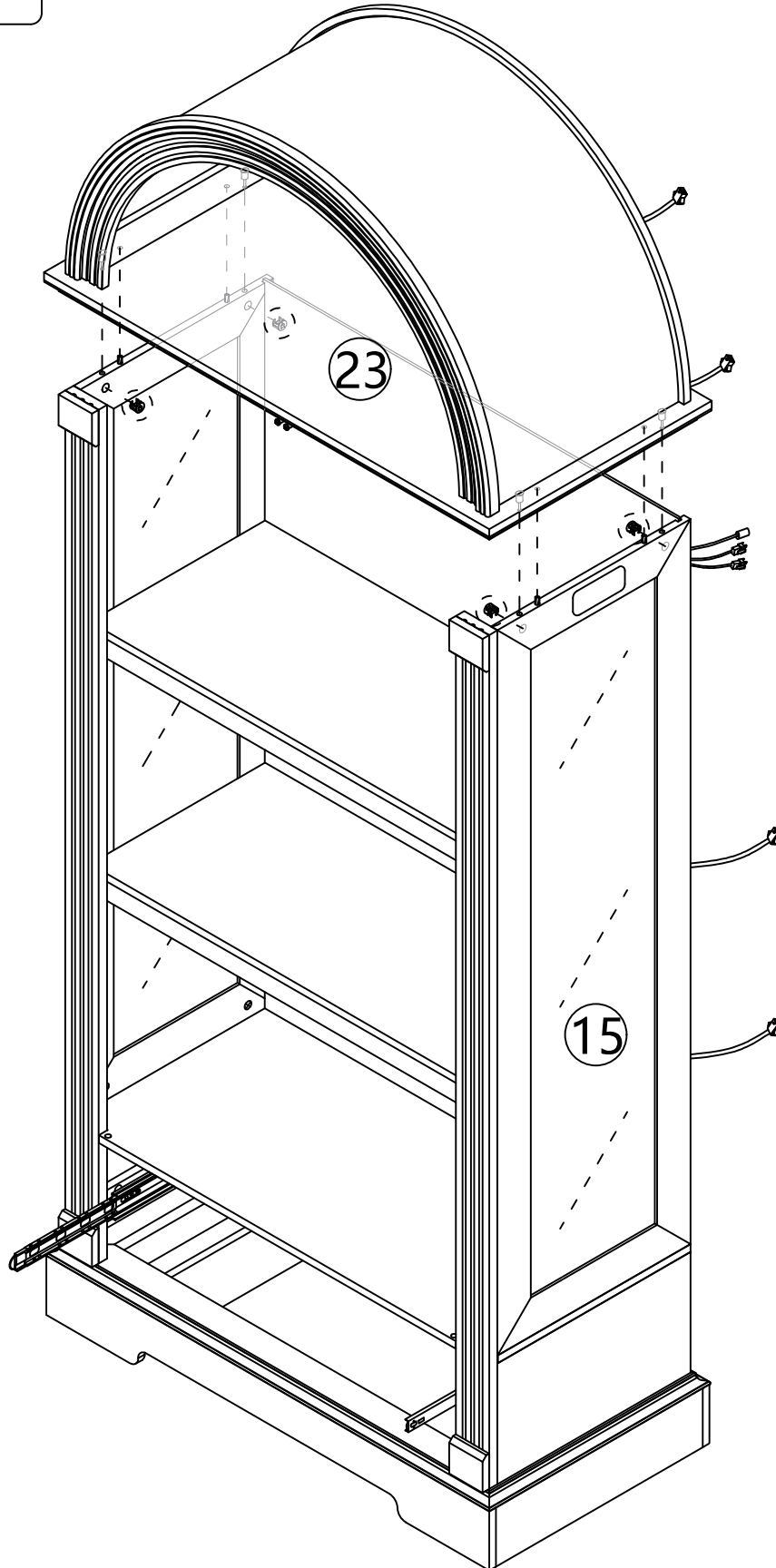


Step 47

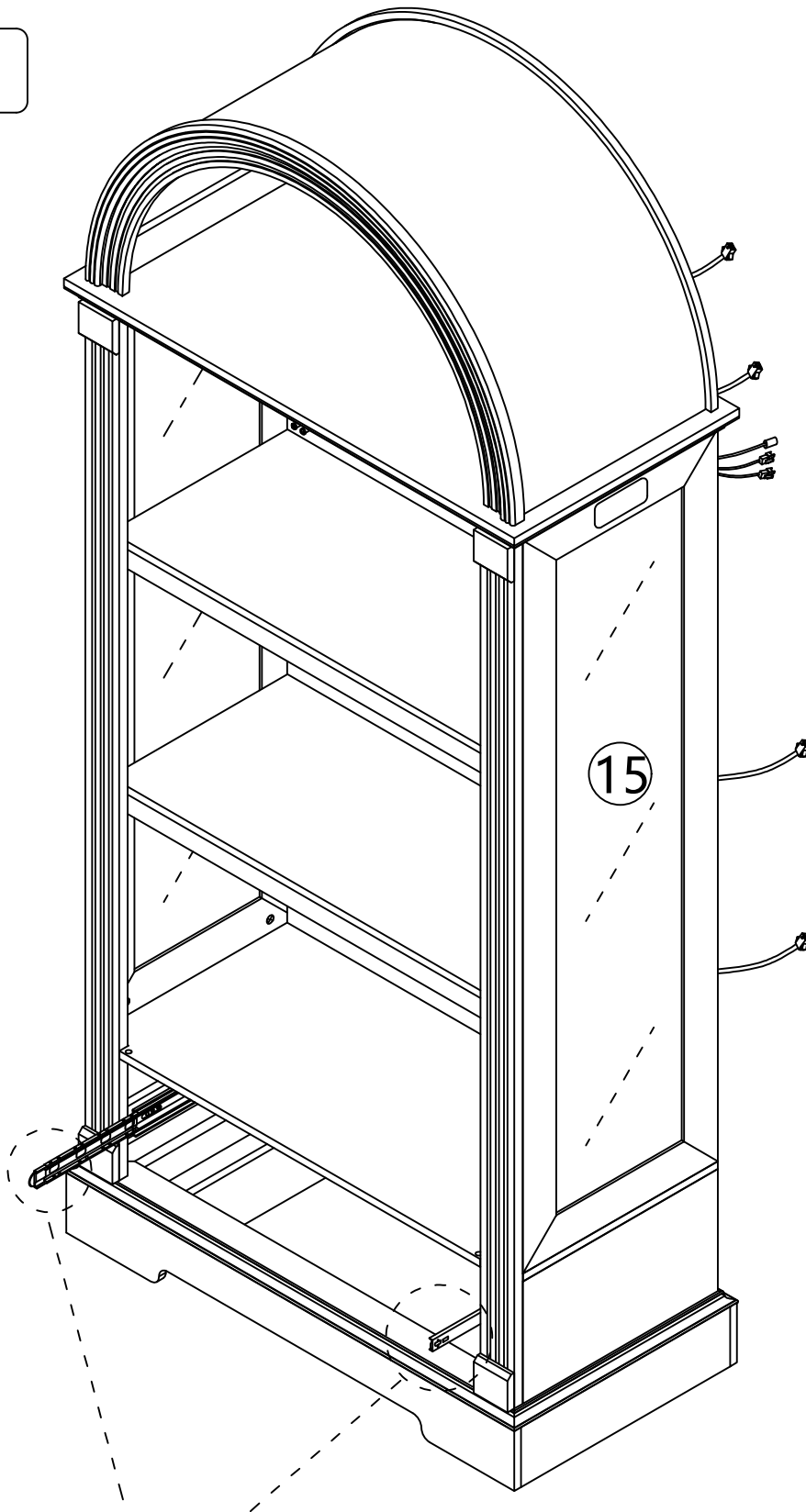
B



x4

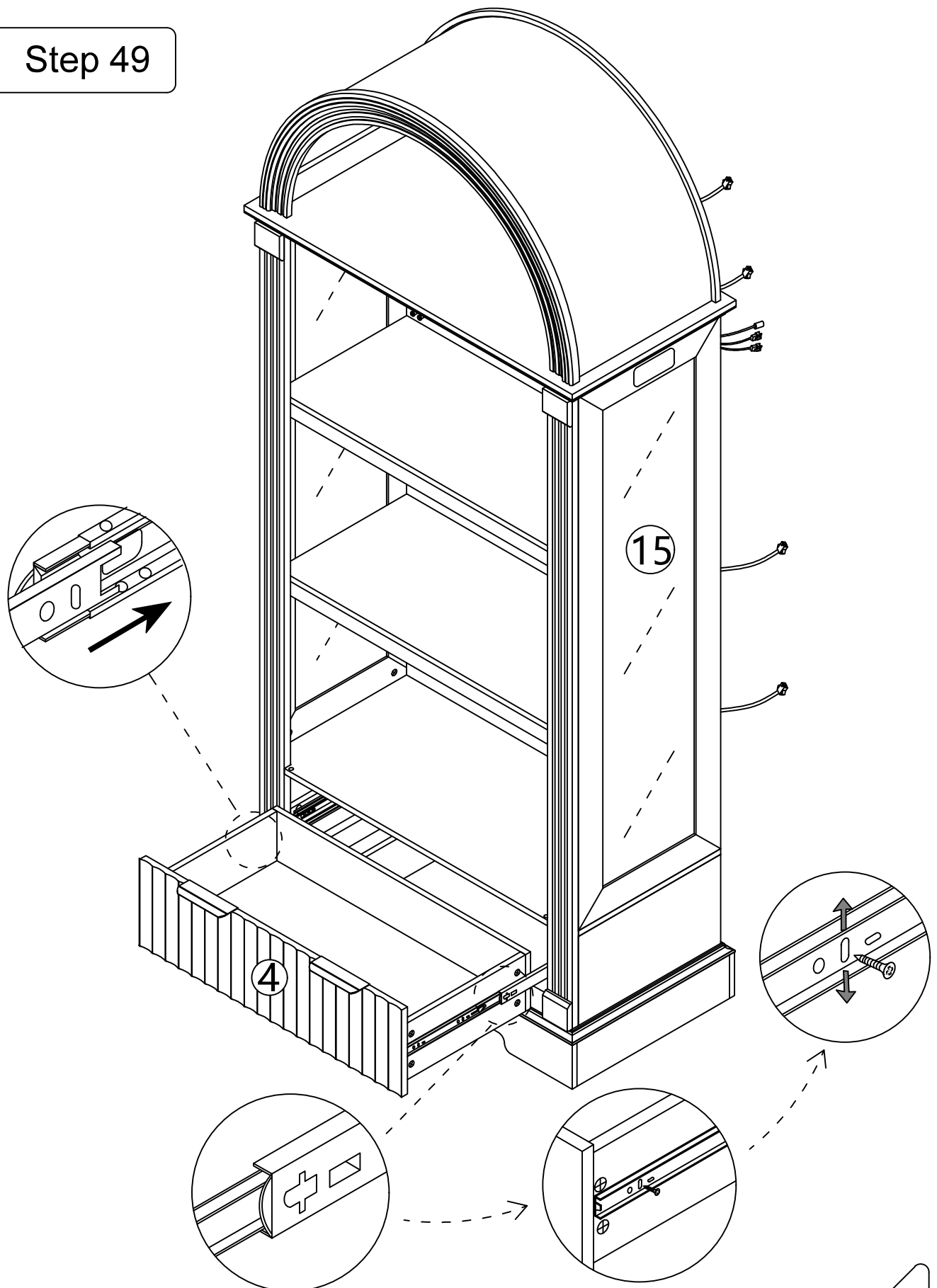


Step 48



As shown, When installing the drawer, pull the guide rail out first, Slide beads are also pulled out.

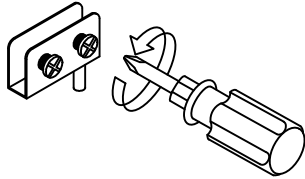
Step 49



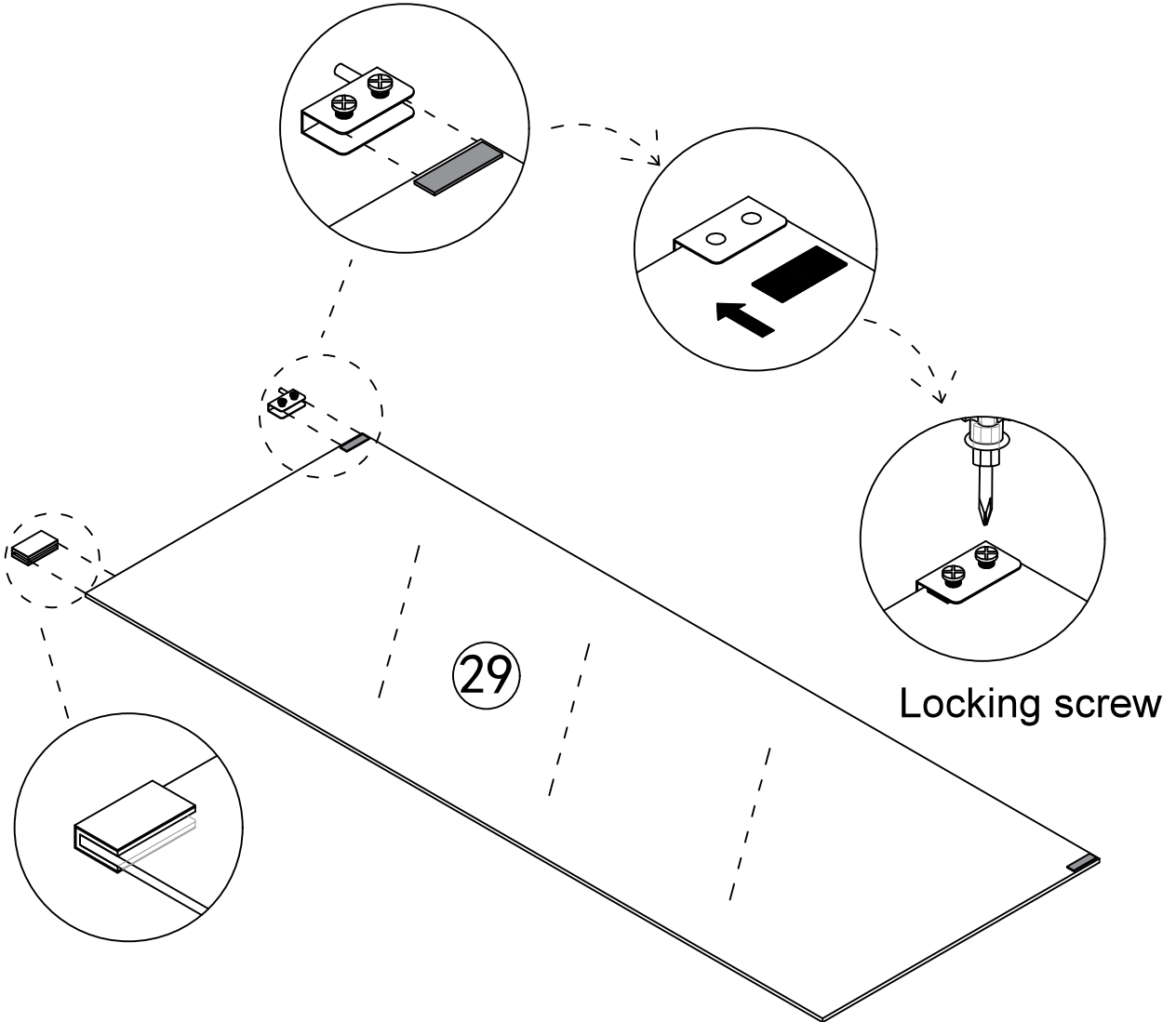
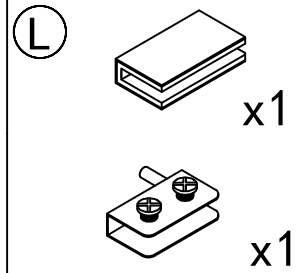
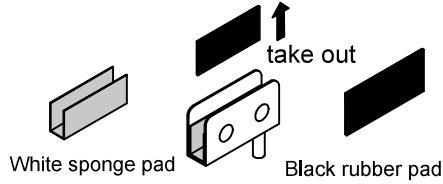
If a large gap is found after installing the drawer the slide rail can be moved up and down to adjust the gap

## Step 50

First, completely unscrew the screws on the parts



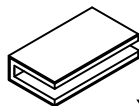
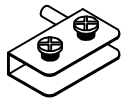
Then take out the black rubber pad from the inside of the part, and the white sponge remains unchanged inside the part.

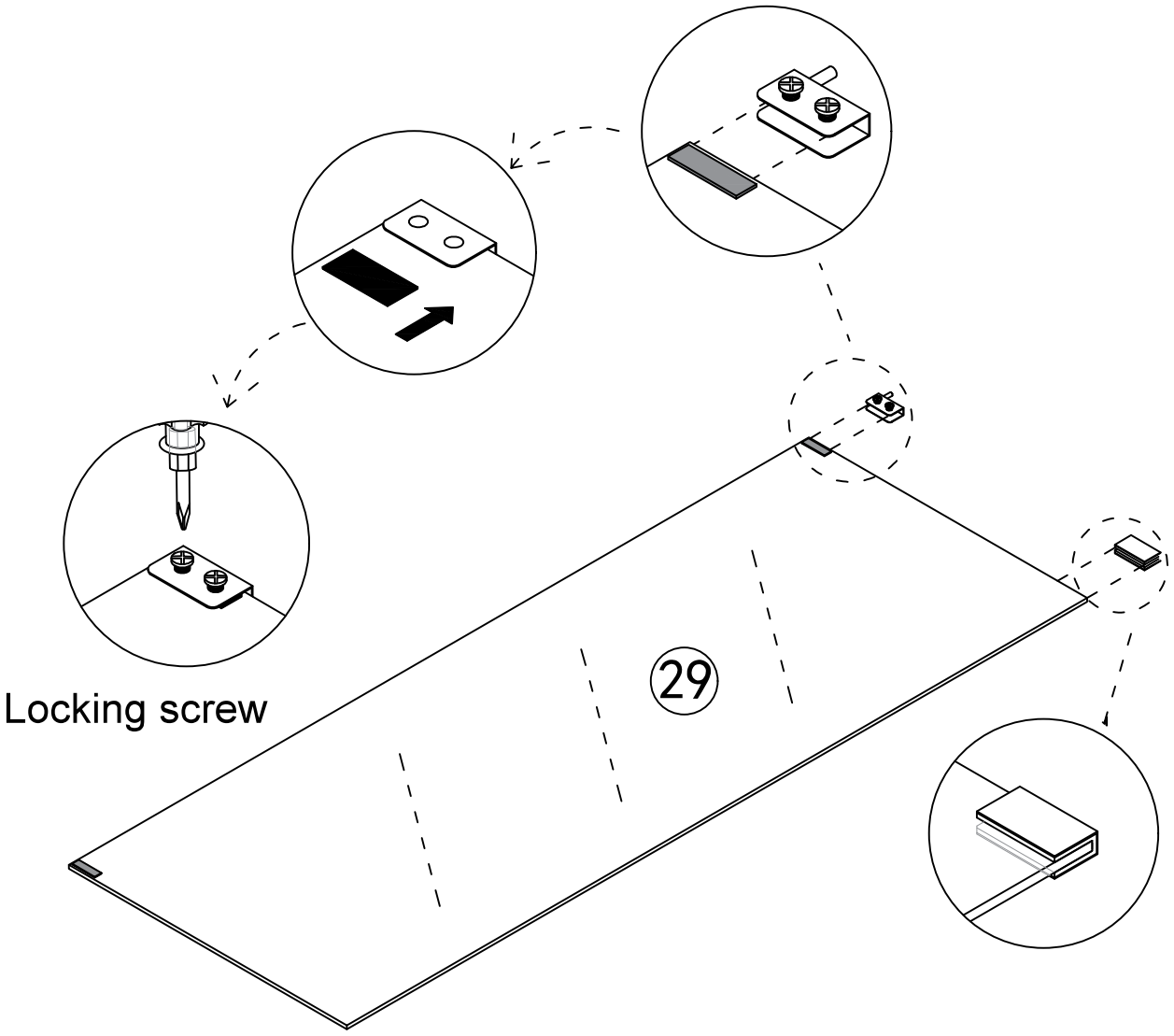


Pay attention to the direction of the door hinge, rotate the screws to compress the black gasket, and do not place it in the opposite direction

Place the black gasket on the side where the screws are installed

# Step 51

- (L)  x1
-  x1

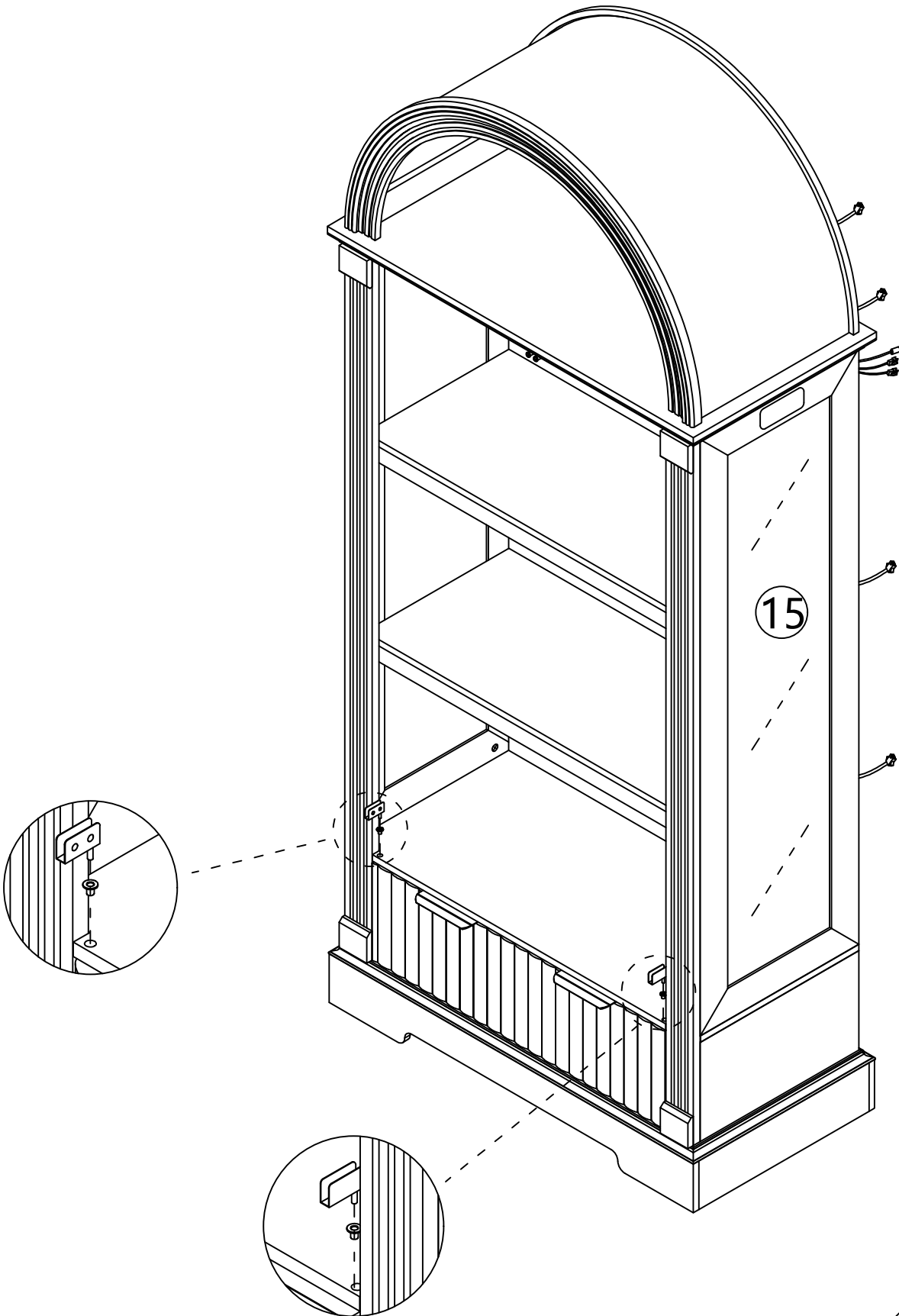
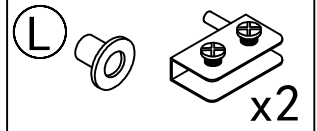


Locking screw

Pay attention to the direction of the door hinge, rotate the screws to compress the black gasket, and do not place it in the opposite direction

Place the black gasket on the side where the screws are installed

Step 52



## Step 53

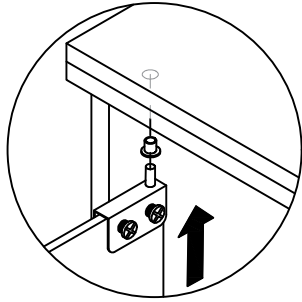
L



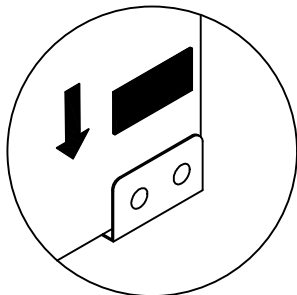
x1

When installing a glass door, it is recommended to have two people install it to avoid the glass door colliding or hitting oneself.

Pay attention to the direction of the door hinge during installation

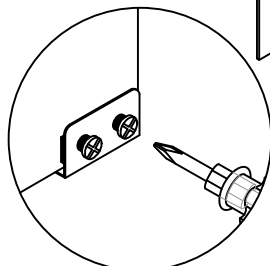


first



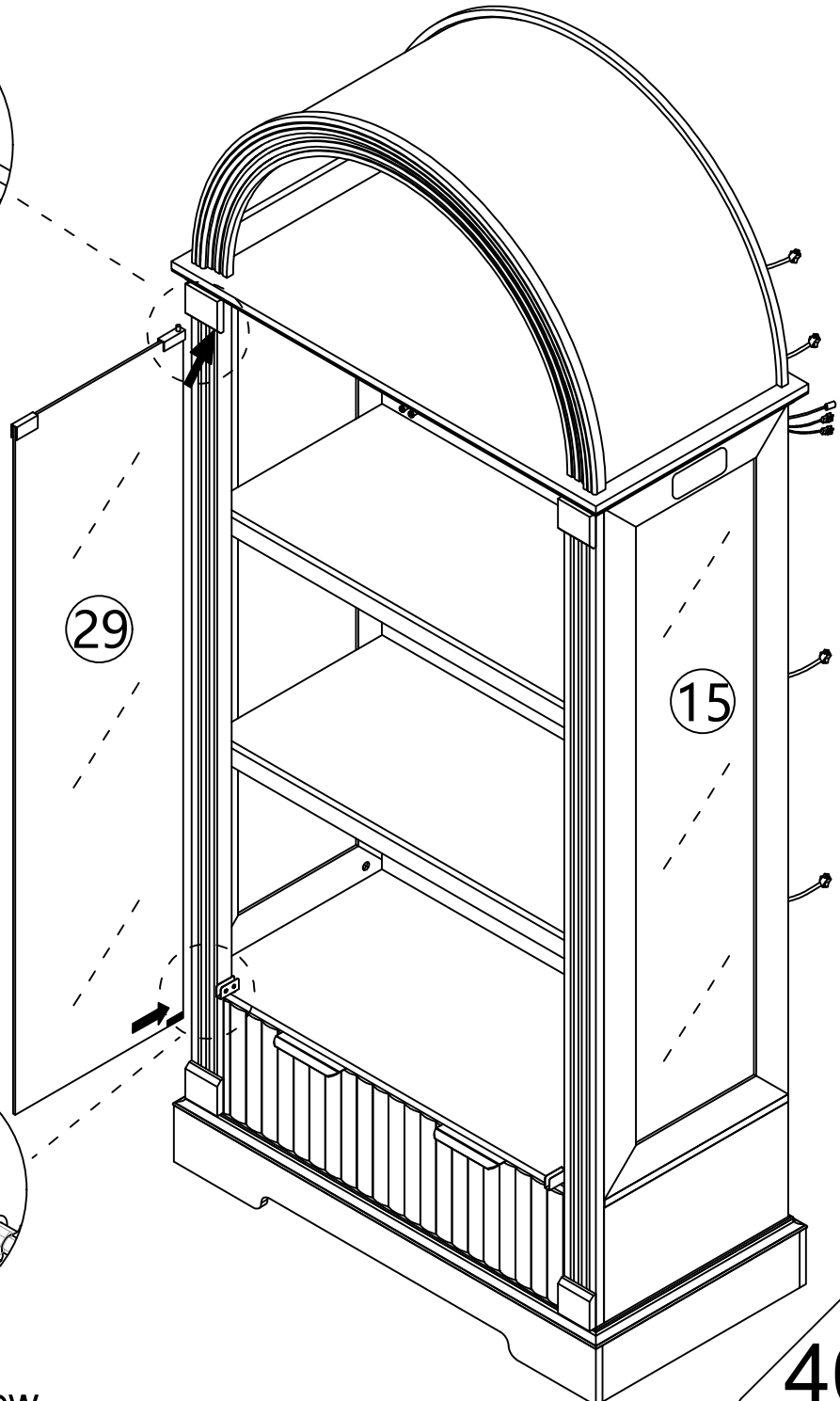
second

After installing the glass door, place the black gasket on the side where the screws are installed



third

Locking screw



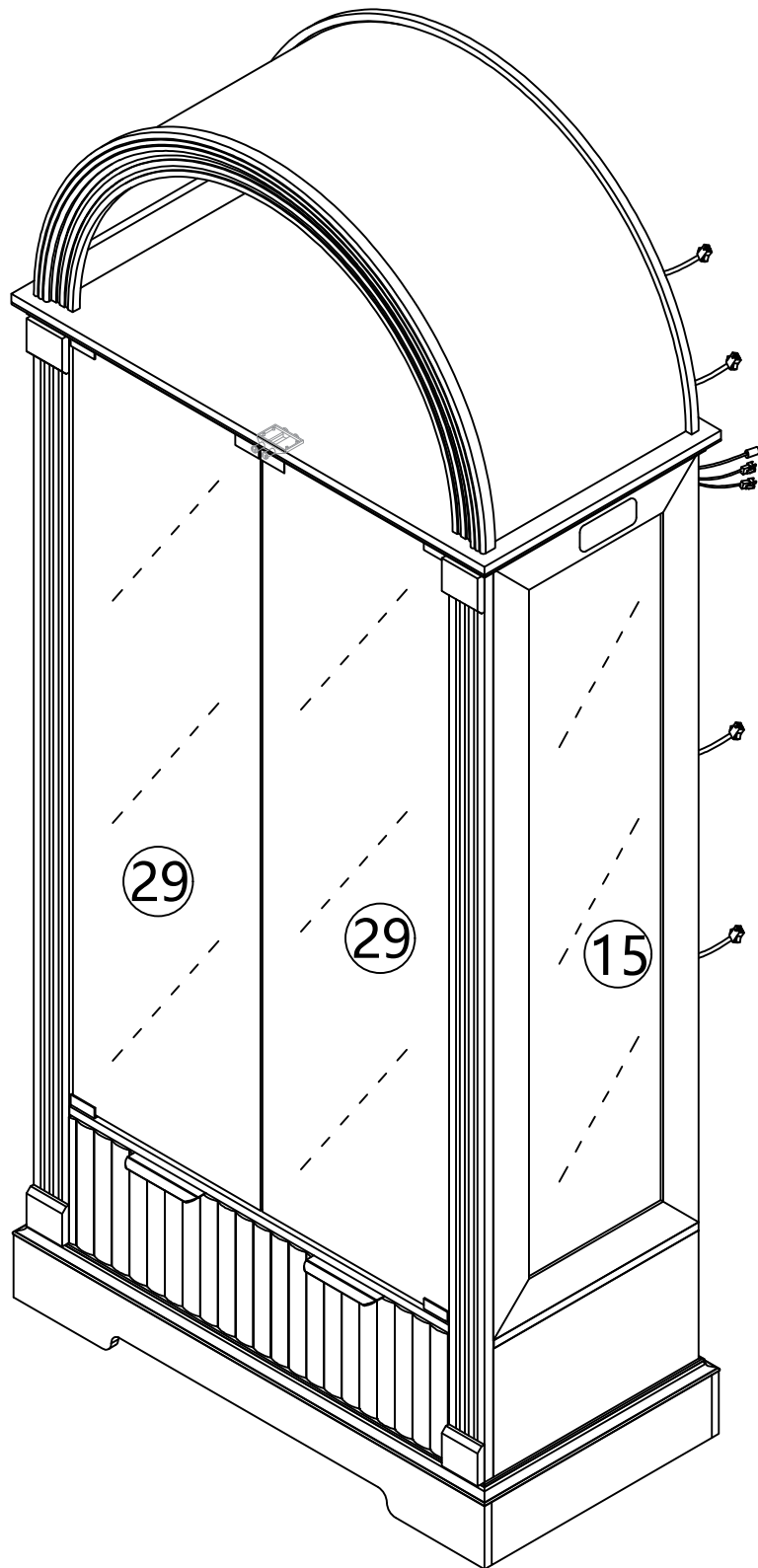
40

Step 54

L



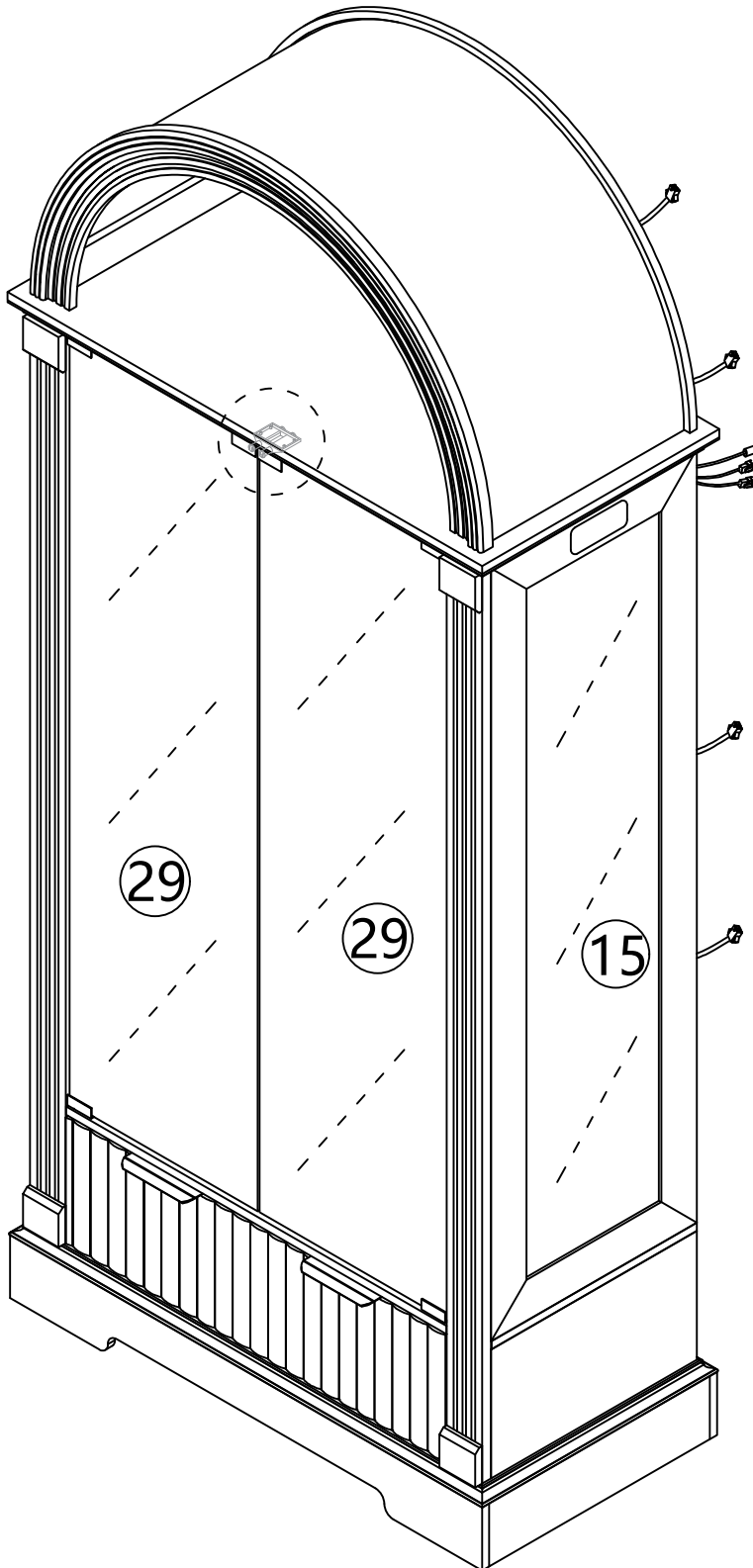
x1



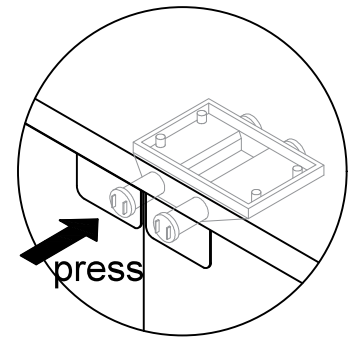
Repeat the door installation steps.

Step 55

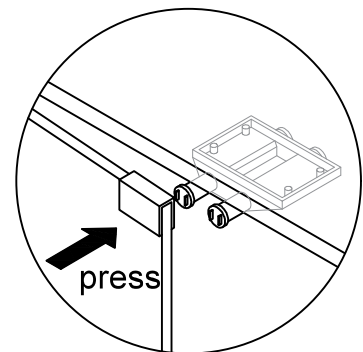
The rebound device automatically opens and closes by pressing



Open the glass door



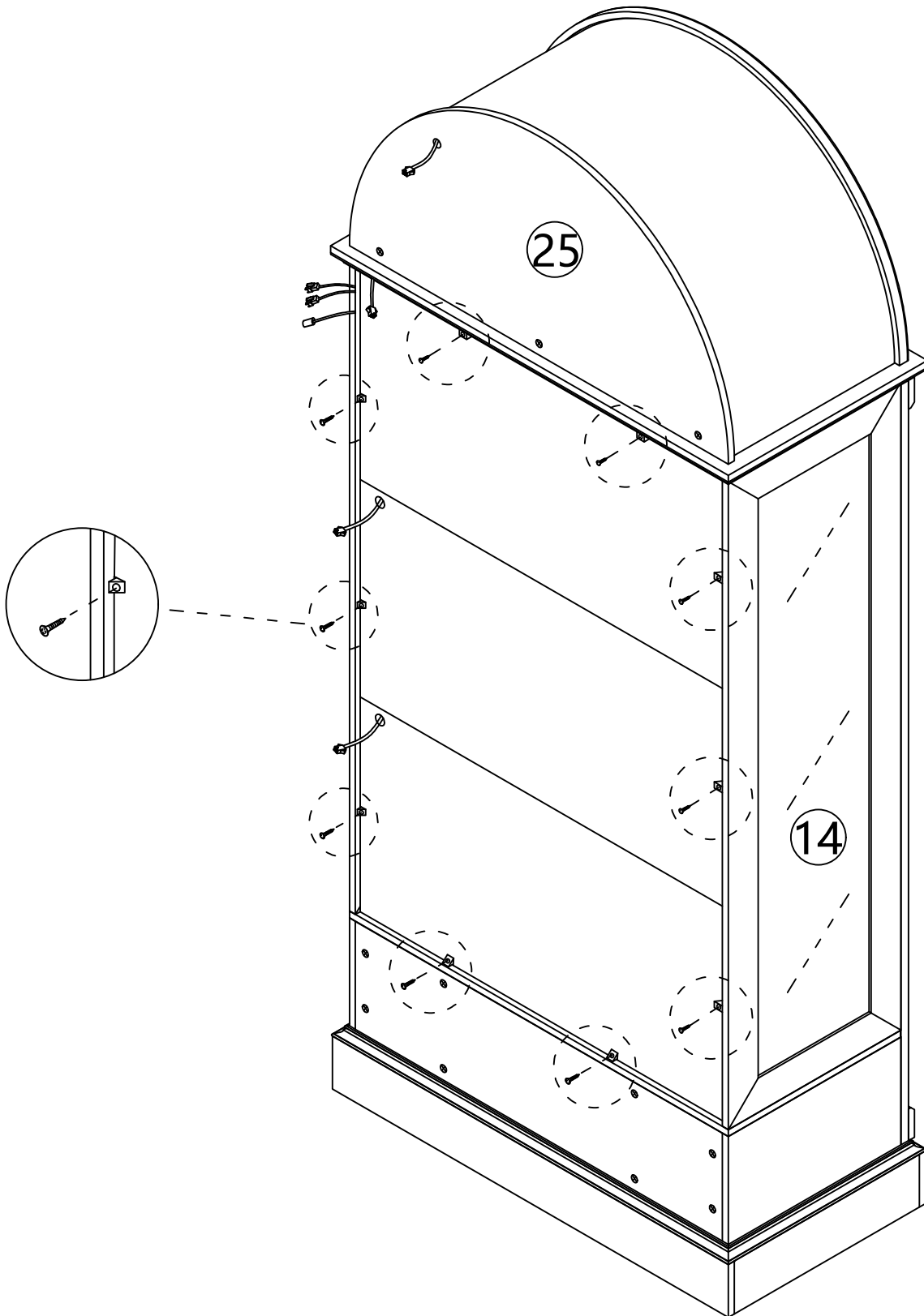
Close the glass door



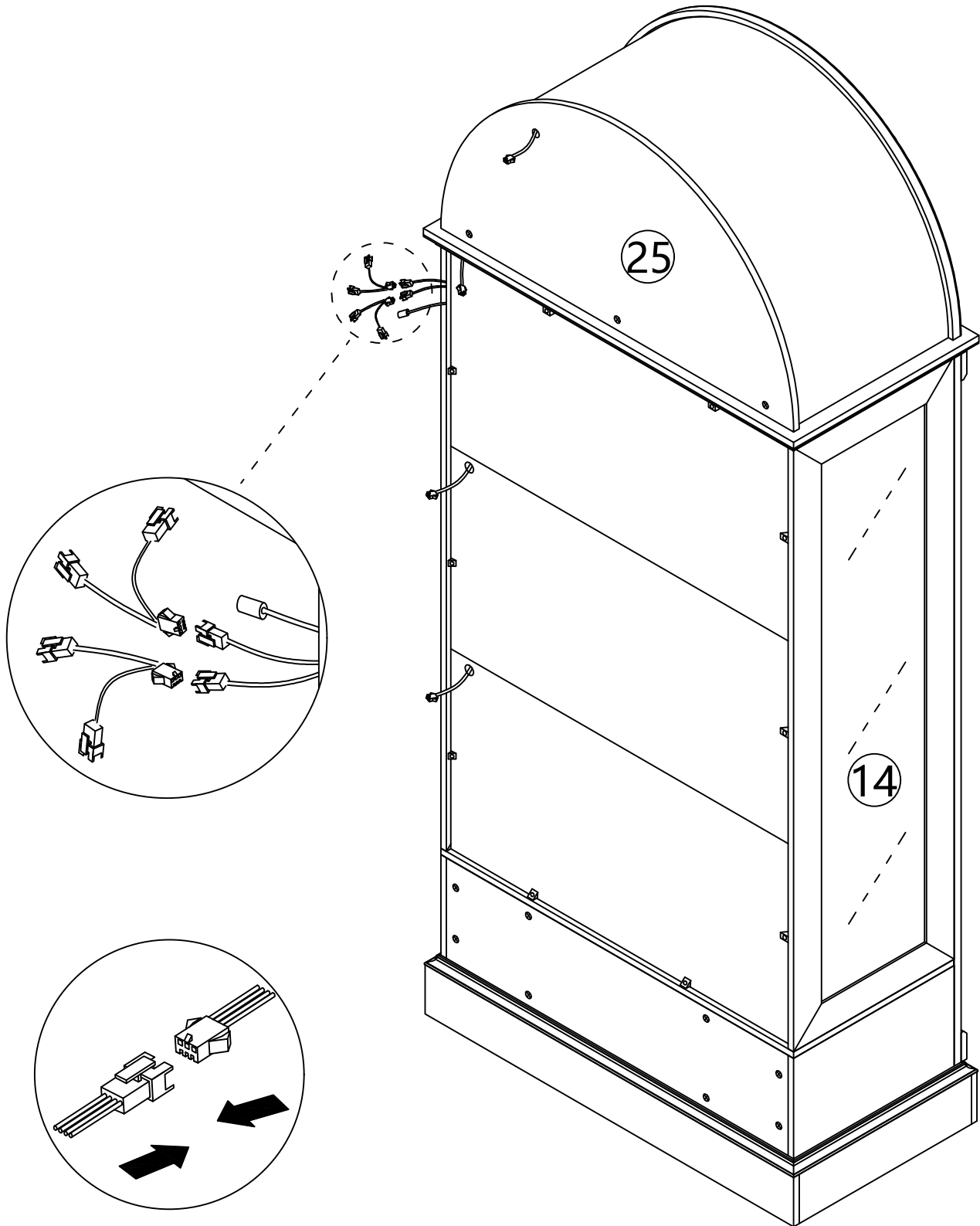
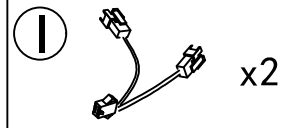
Step 56

H

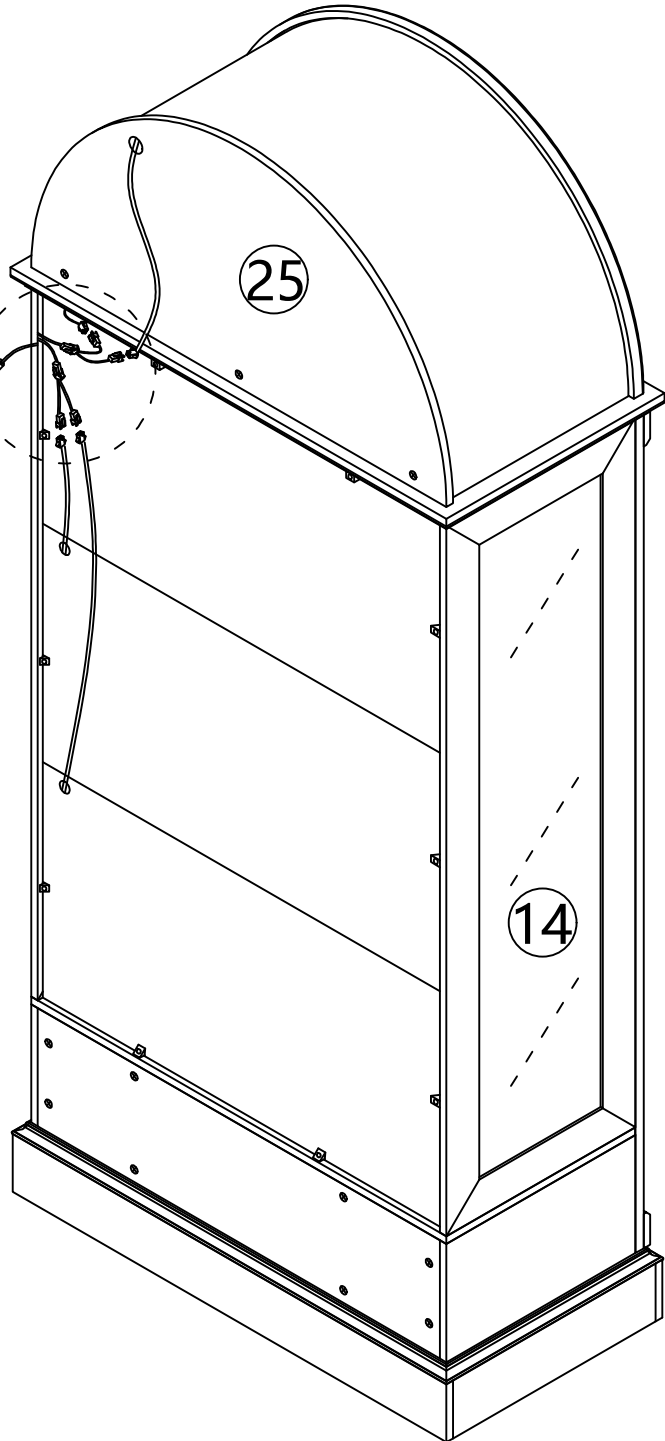
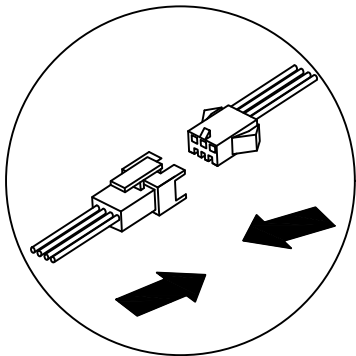
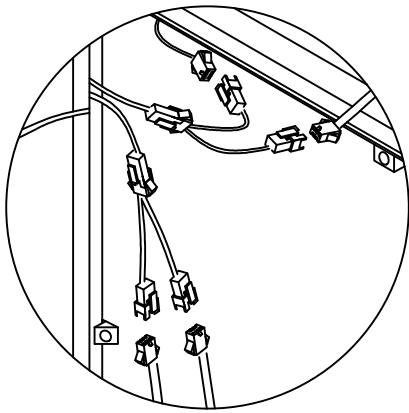
 x10



Step 57



Step 58

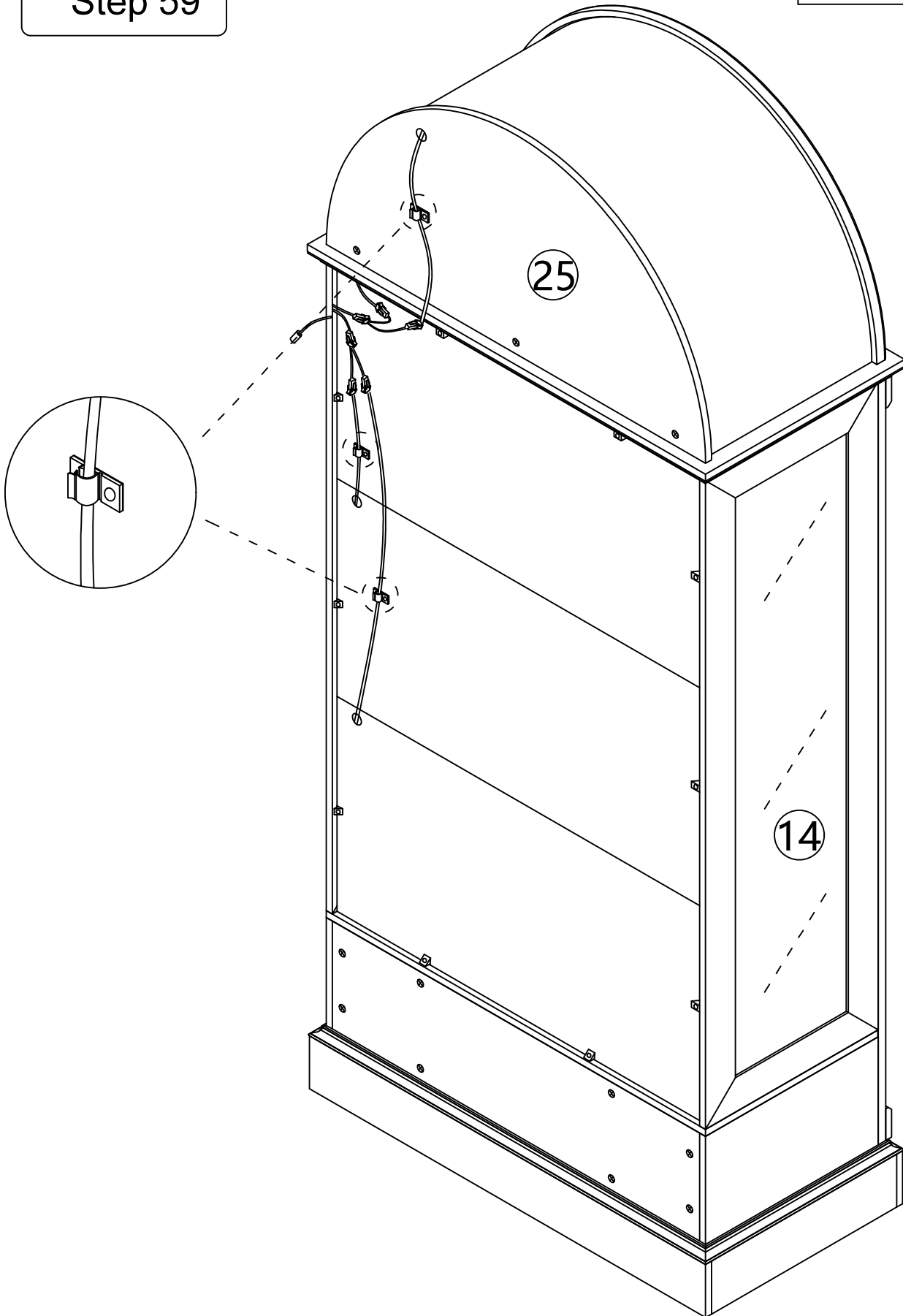


Step 59

J

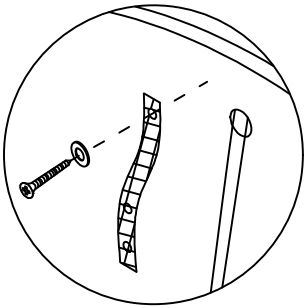
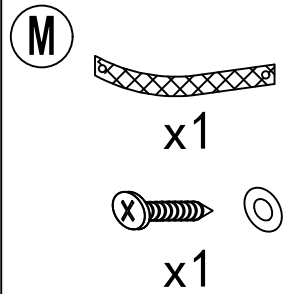


x3

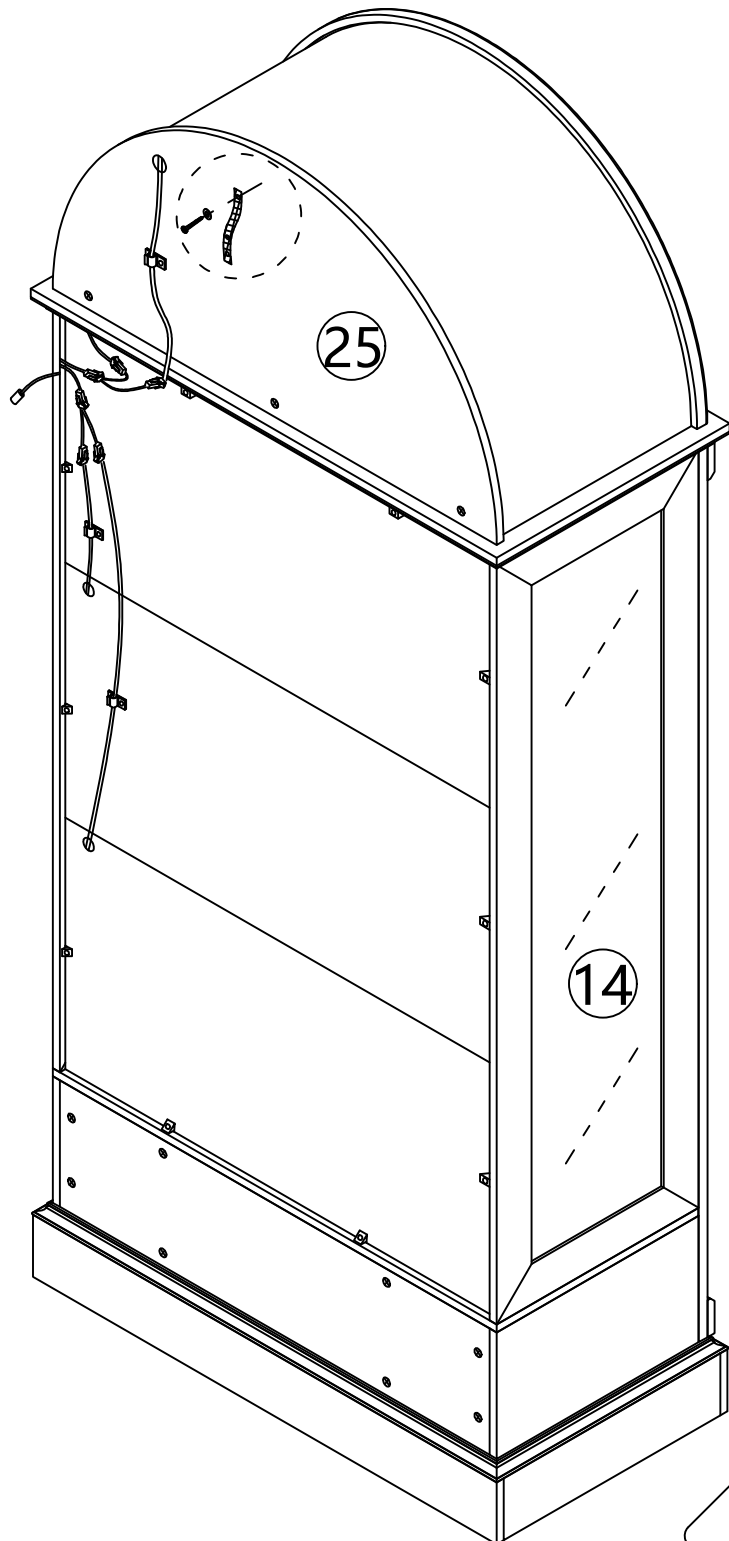


## Step 60

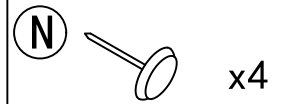
Install anti rewind tape at the edge of the board to prevent insufficient length when connecting to the wall



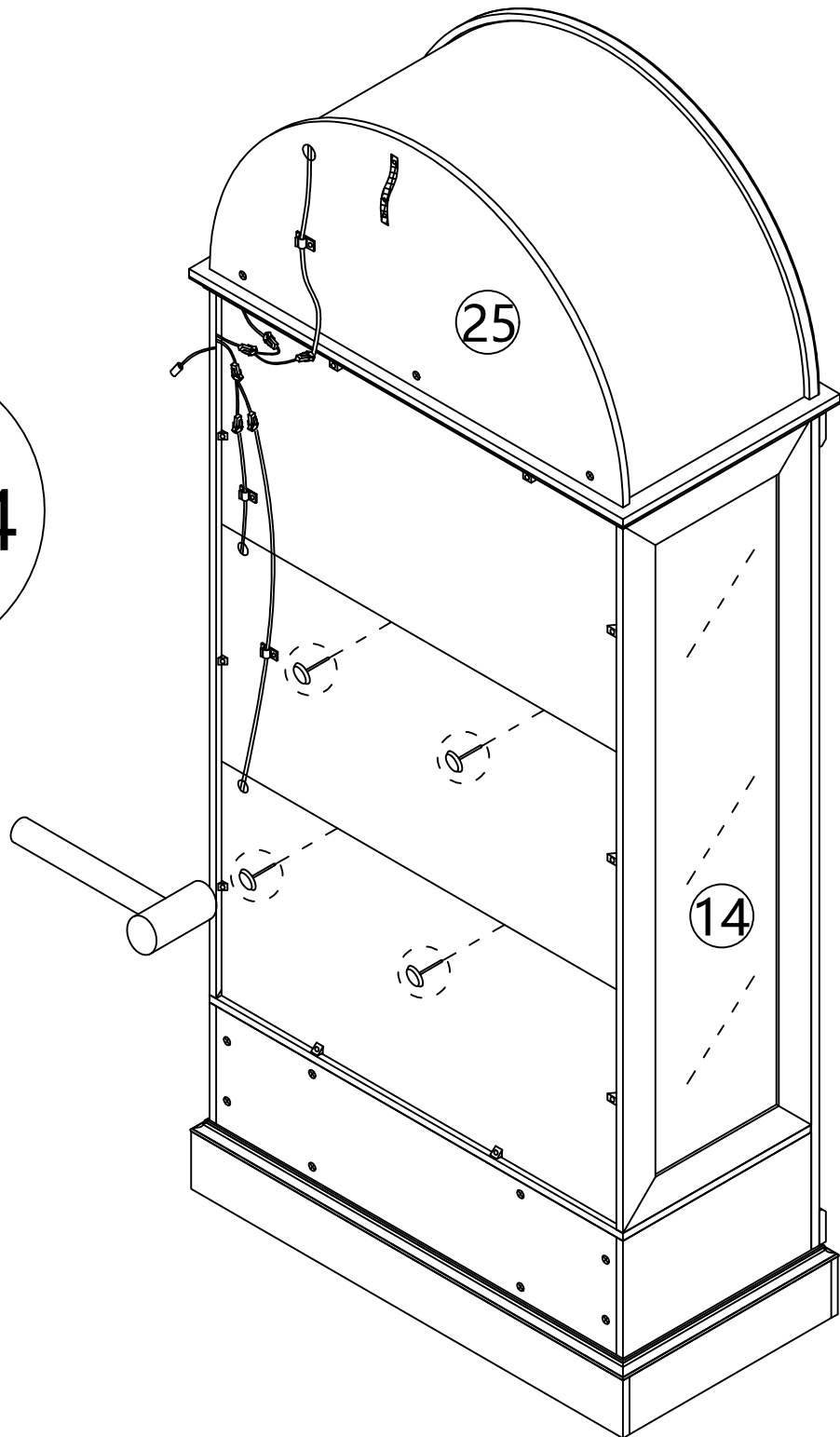
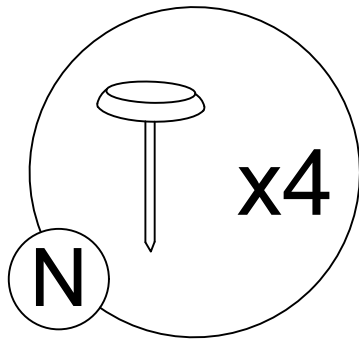
Install the anti-rewind tape on the 25 board.



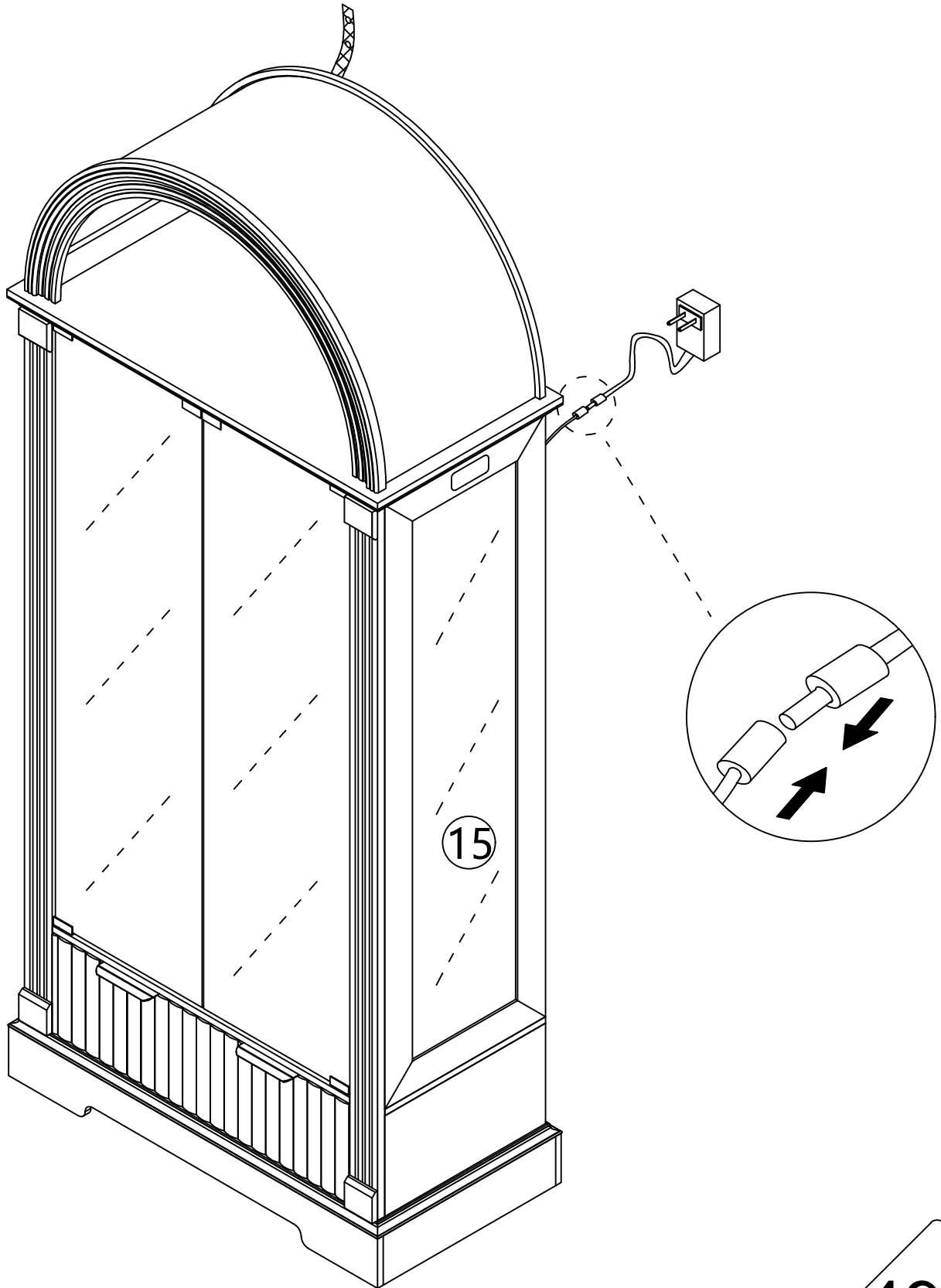
# Step 61



Use a hammer to drive the nail into the gap of the wooden board and fix the back board

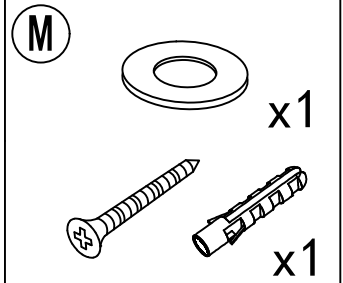
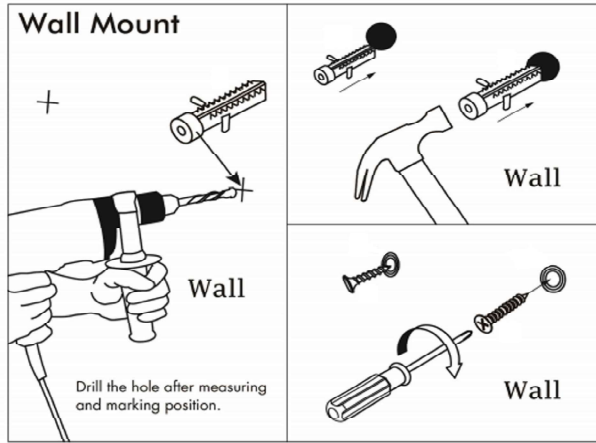


Step 62



# Step 63

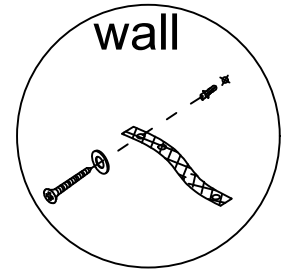
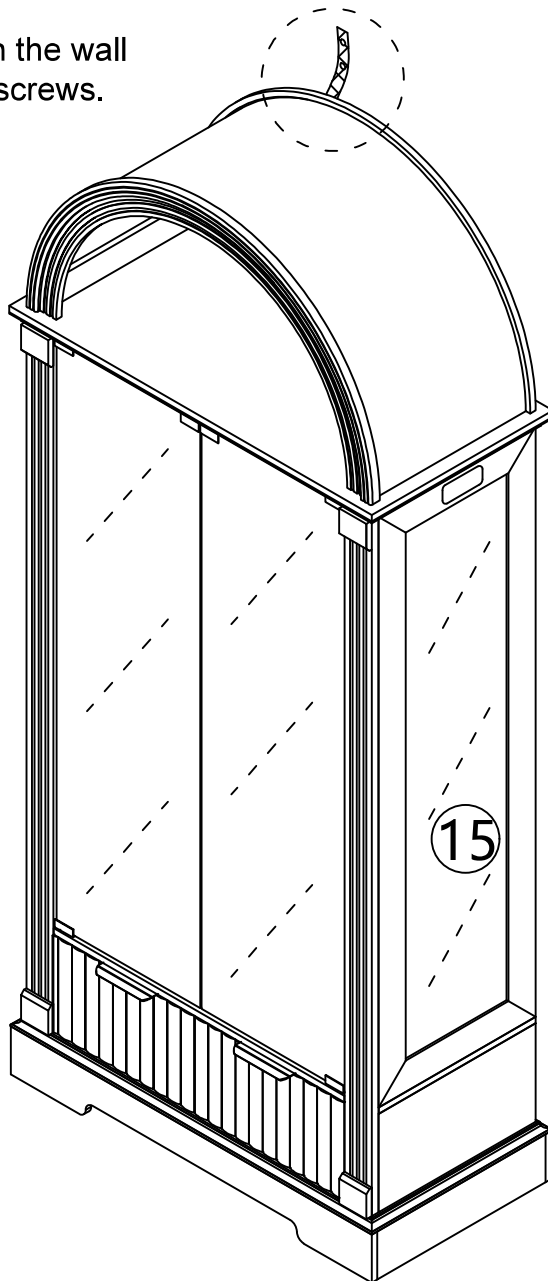
use a ruler to measure the approximate height of the product on the wall, and then mark it with a pencil.



Put the expansion bolt into the hole.

Pass the matching screws through the "anti-rewind" and tighten them to fix them on the wall.

Use a tape drill to make holes in the wall that are suitable for the product screws.





## User's Guide

Thank you for purchasing this product.

To use this product, please plug it into a 12V DC power supply.

Please use if the product works normally after connecting to power.

## Introduction

The box is an intelligent controller. With 5 touch buttons, it can turn ON/OFF the light and turn ON/OFF the induction function, change light colors, and adjust the light luminance.

## Operation



This touch button is the master switch of the smart box,

which can turn off all functions of the box and control the light strips on/off operation.

The operation that can be turned on and off with just a light tap. Press and hold to adjust the brightness. Upon first power-up, the default light will be set to white.



This touch button is used to turn on/off the induction function.

A. touch this button once to turn on the induction function (indicator light on).

After the person leaves or remains stationary for more than 30 seconds, the light strip goes out; people and objects within a range of 1 meters move will light up the light strip.

B. Long press this button for 0.5 seconds to turn off the human body induction function (the indicator light goes out).

At this point, keep the light strip as it was before turning off and no longer be affected by human and object activities. By default, induction function is enabled when powered on.



This touch button is the Dynamic Phantom Color Mode, which includes 5 magical lighting effects.

Simply tap to cycle through the options. (Attention: This mode cannot adjust the brightness)



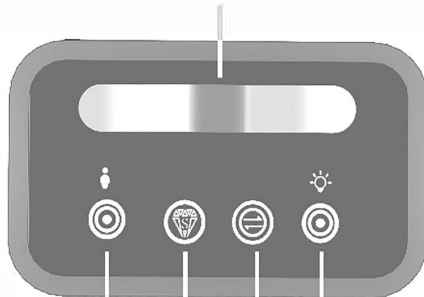
This touch button controls the single-color switching function of the light strips, offering 7 different colors to choose from.



This area controls the color switching function.

You can tap or slide to any color bar position to change the color.

Color Palette



Induction Button

Phantom Color Mode Button

Master Switch Button

7-Color Mode Button



## ATTENTION PLEASE

1. If there is no touch response suddenly, Re-plug the power to reset the touch static electricity.
2. If bubbles appear on the panel, remove the protective film.
3. If you have any questions when installing, please feel free to contact us. Thank you.