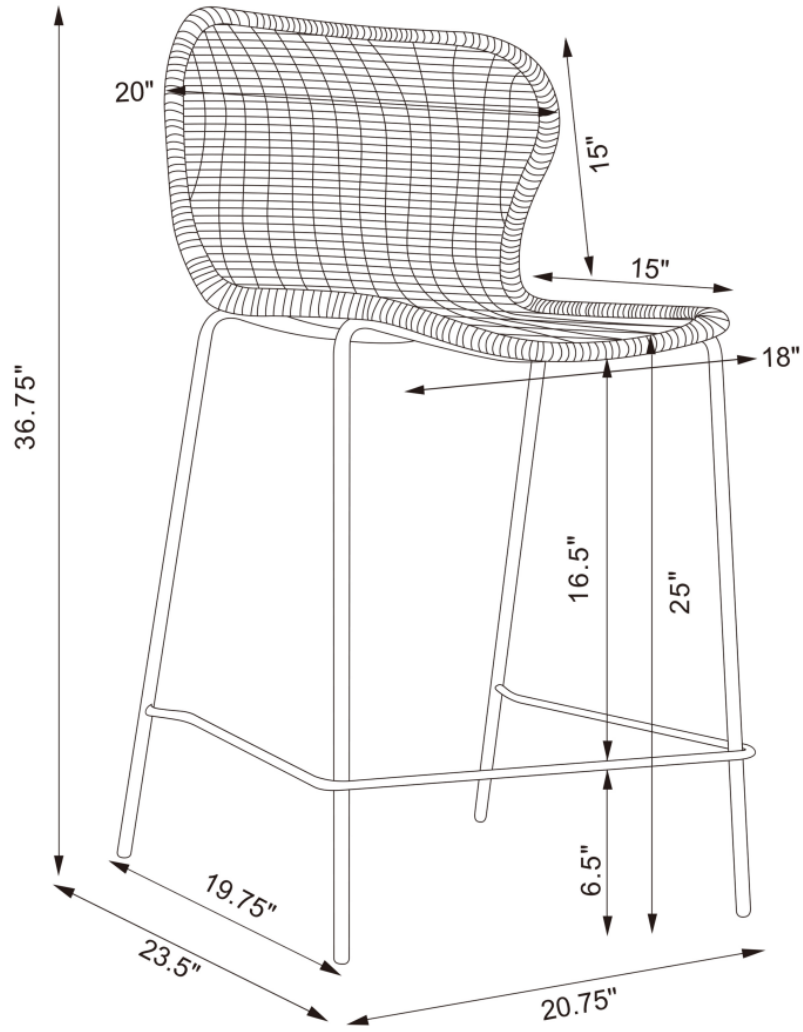


ASSEMBLY INSTRUCTIONS



ITEM



Note: Dimension tolerance $\pm 5\%$