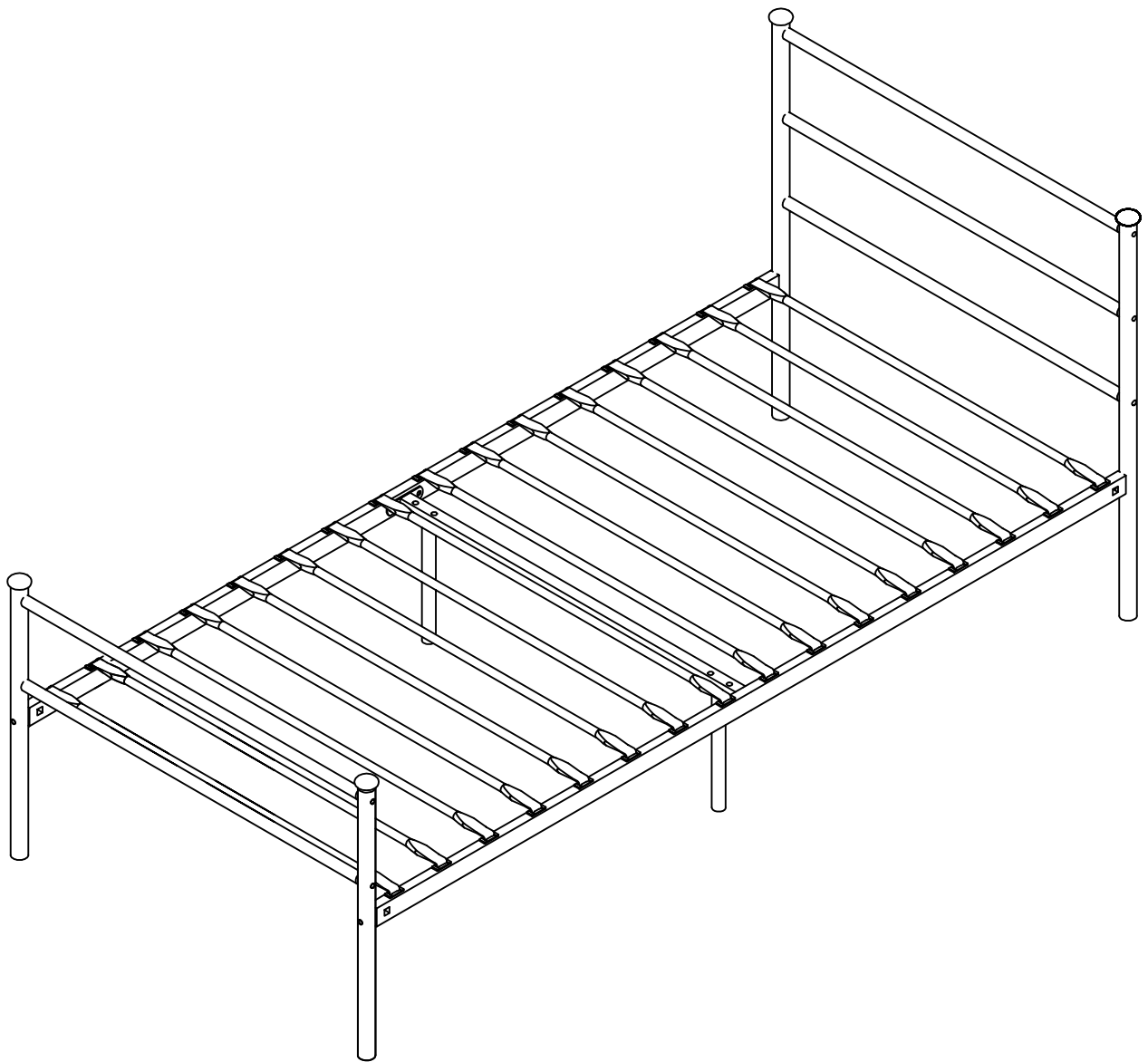




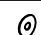


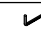

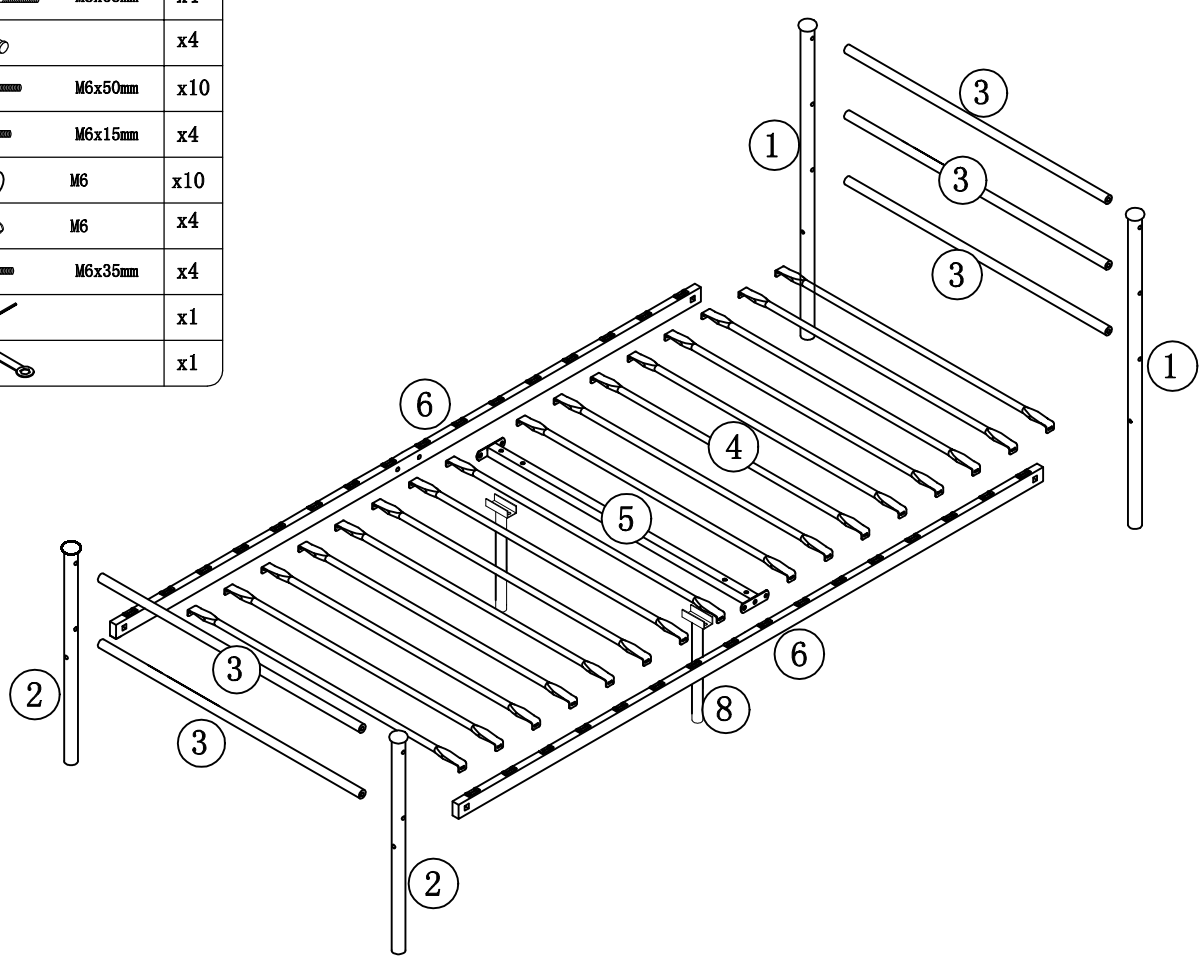
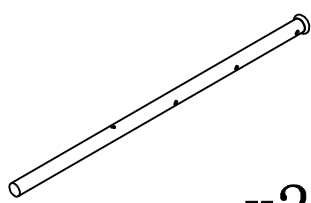
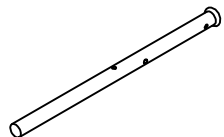
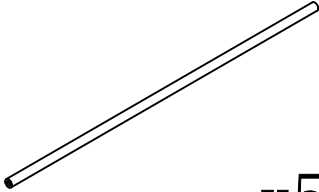
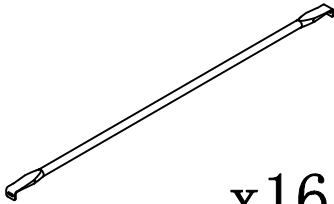
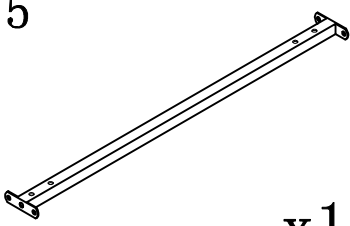
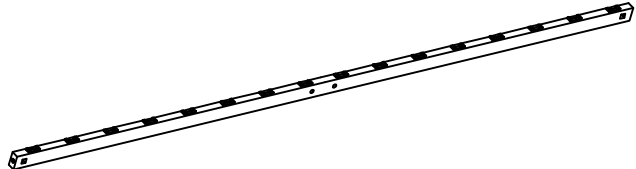
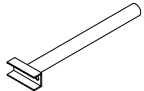


PRIMO SI FZD

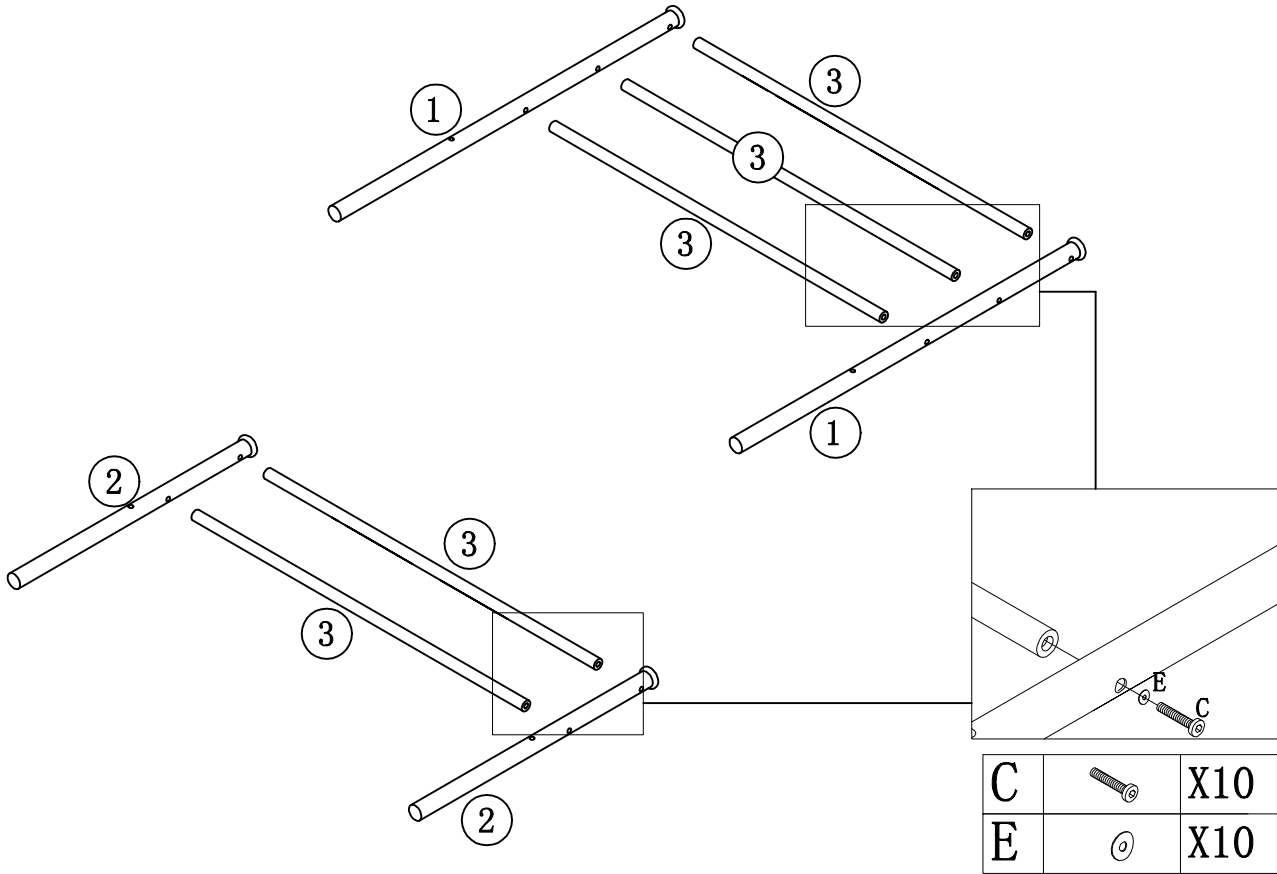


A		M8x65mm	x4
B			x4
C		M6x50mm	x10
D		M6x15mm	x4
E		M6	x10
F		M6	x4
G		M6x35mm	x4
H			x1
I			x1



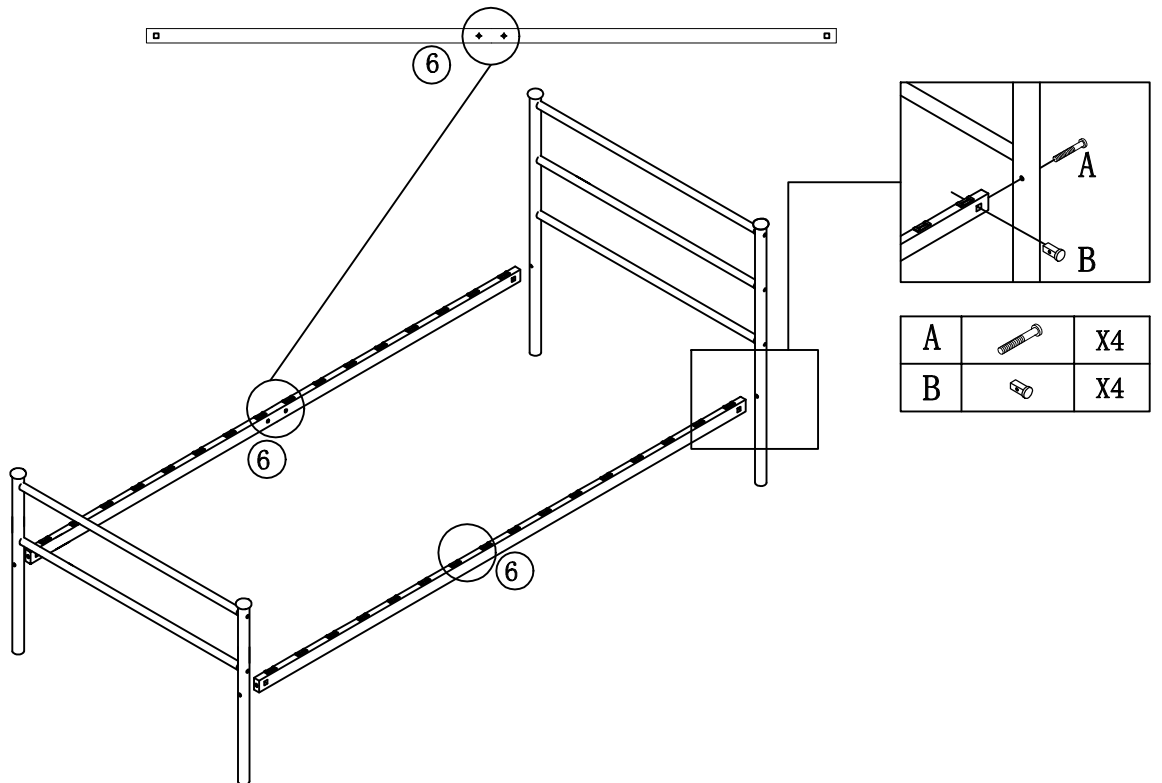
1  x2	2  x2	3  x5	4  x16
5  x1	6  x2		
8  x2			

STEP 1

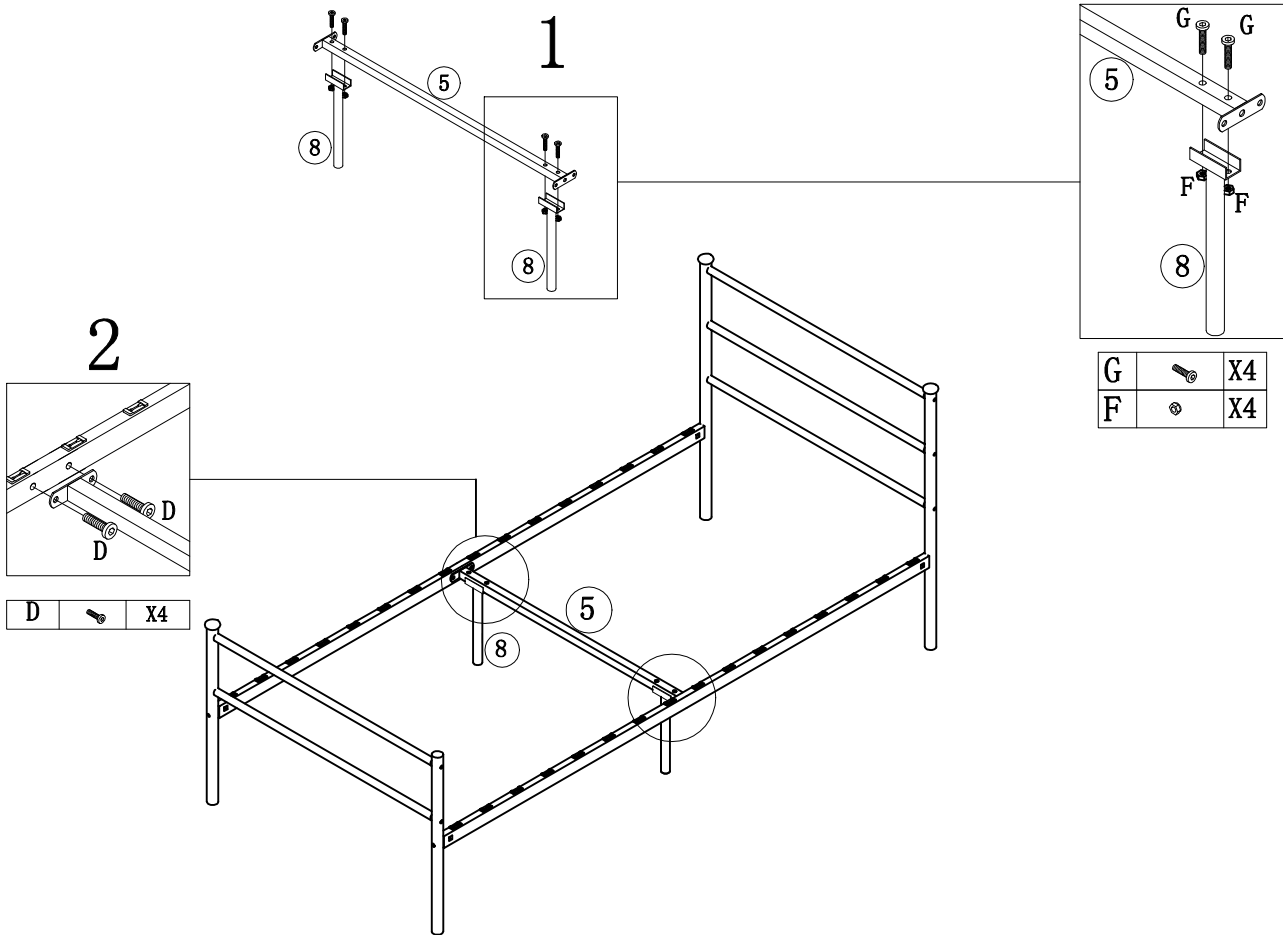


STEP 2

Please separate the parts 6 before beginning the assembly.



STEP 3



STEP 4

