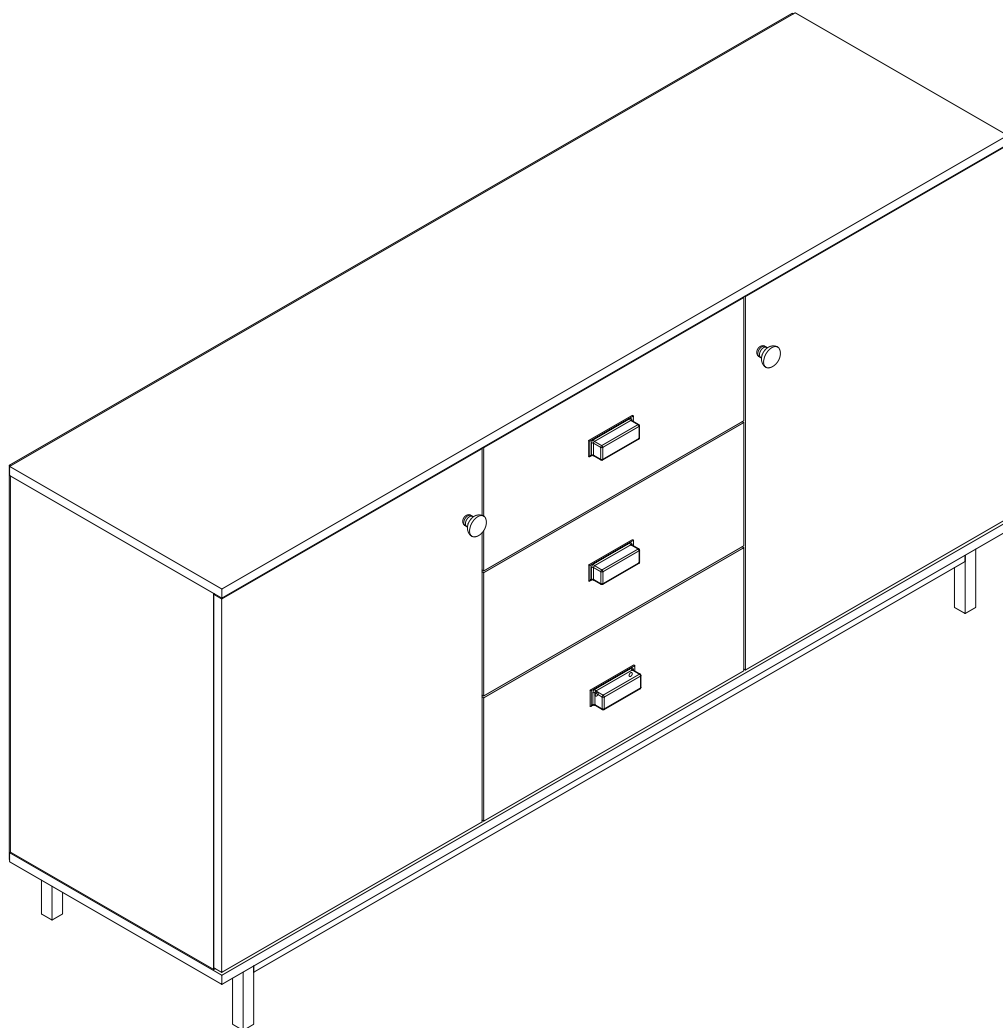
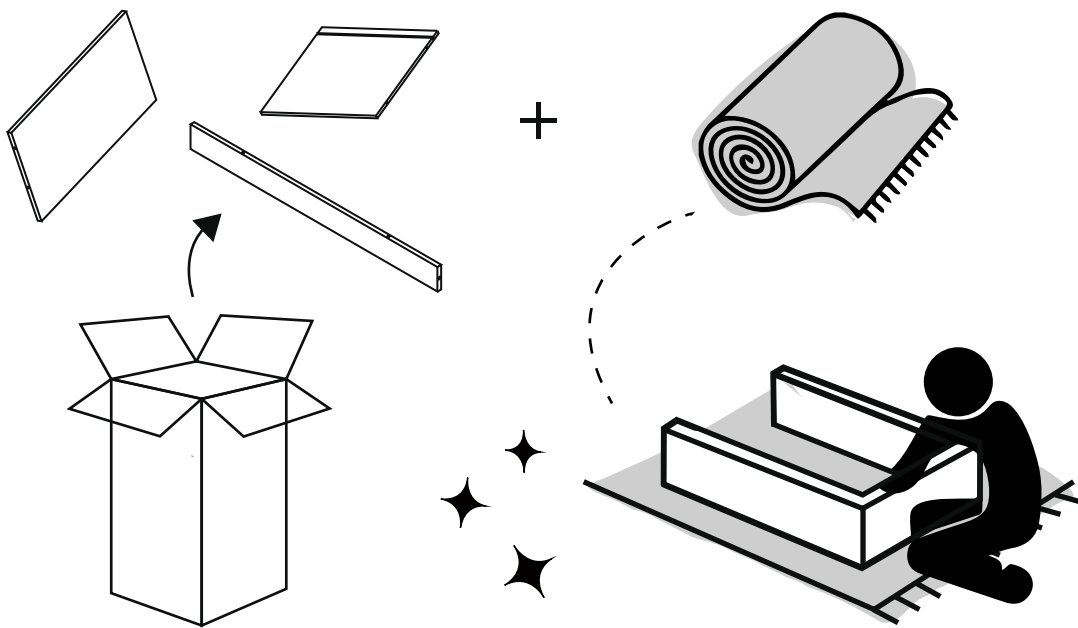
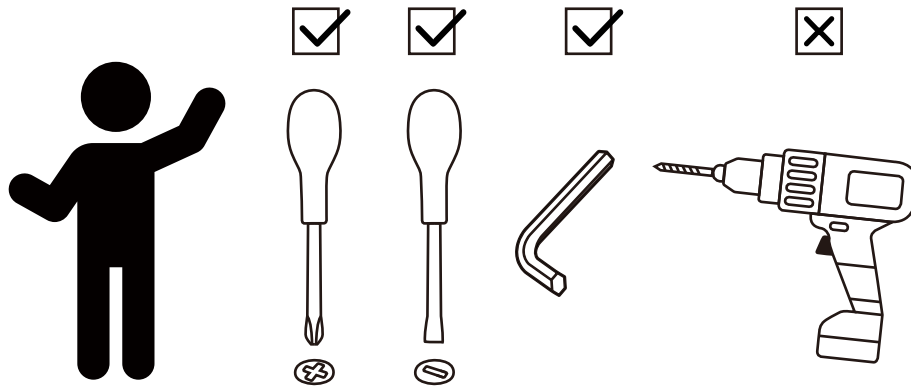


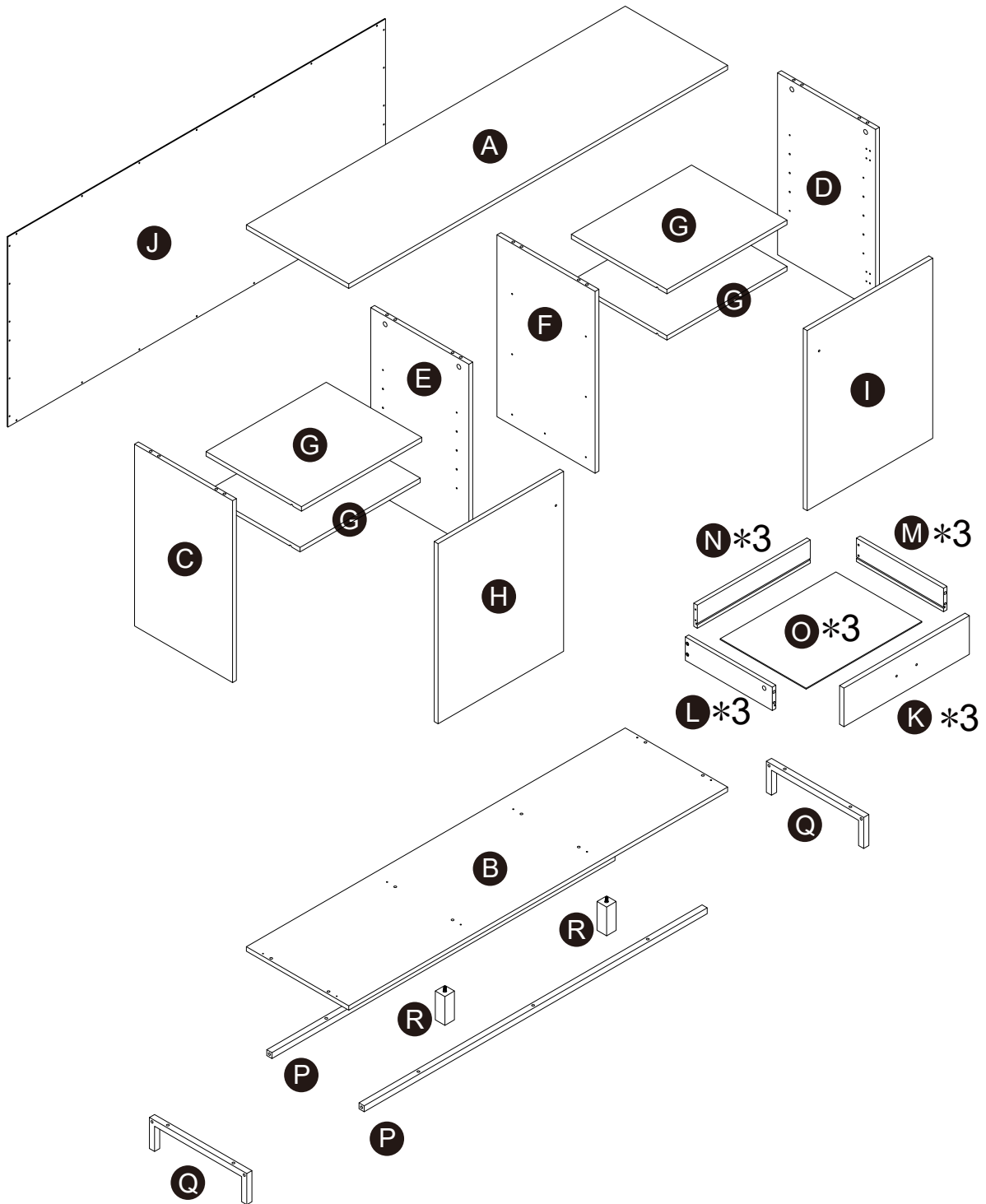
Versanora
Sideboard with 2 Doors and
3 Drawers Metal Legs and Handles





** Got questions? Please have your product code (on the first page of this instruction, e.g) and the order number ready, give us a call or email us through our customer care support! We are always ready to assist you!

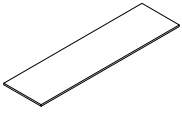
Exploded Drawing



← **Questions?**
Scan Here

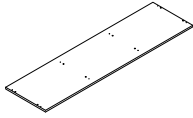
Product Parts

A



1 PC

B



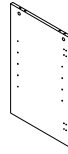
1 PC

C



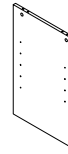
1 PC

D



1 PC

E



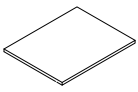
1 PC

F



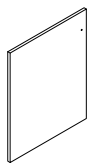
1 PC

G



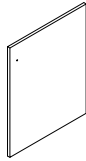
4 PCS

H



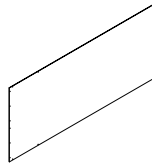
1 PC

I



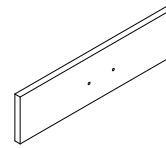
1 PC

J



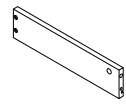
1 PC

K



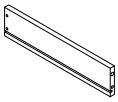
3 PCS

L



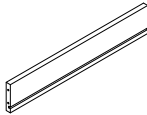
3 PCS

M



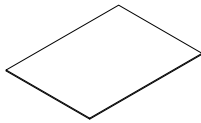
3 PCS

N



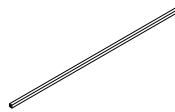
3 PCS

O



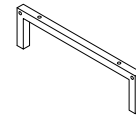
3 PCS

P



2 PCS

Q



2 PCS

R



2 PCS



Questions?
Scan Here

Care Instructions

Dust surface with a dry soft cloth.

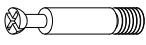
Do not use window cleaners or cleaning abrasives as they will scratch the surface and could damage the protective coating

WARNING

Small parts and sharp edges may be present prior to assembly.

Hardware

1



Ø6*35mm

20+2 pcs

2



Ø15*9mm

20+2 pcs

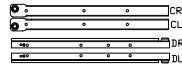
3



Ø3.5*12mm

30+2 pcs

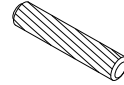
4



350mm

3 sets

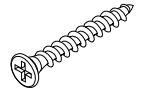
5



Ø8*30mm

16+2 pcs

6



Ø4*45mm

8+1 pcs

7



M6*40mm

4+1 pcs

8



M6*30mm

10+1 pcs

9



Ø4mm

1 pc

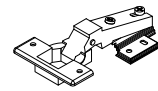
10



Ø3*12mm

26+2 pcs

11



4 pcs

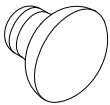
12



Ø3.5*14mm

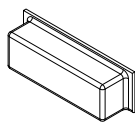
24+2 pcs

13



2 pcs

14



3 pcs

15



M4*16mm

8+1 pcs

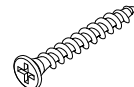
16



Ø5*16mm

16+2 pcs

17



Ø4*35mm

12+1 pcs

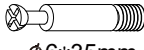
18

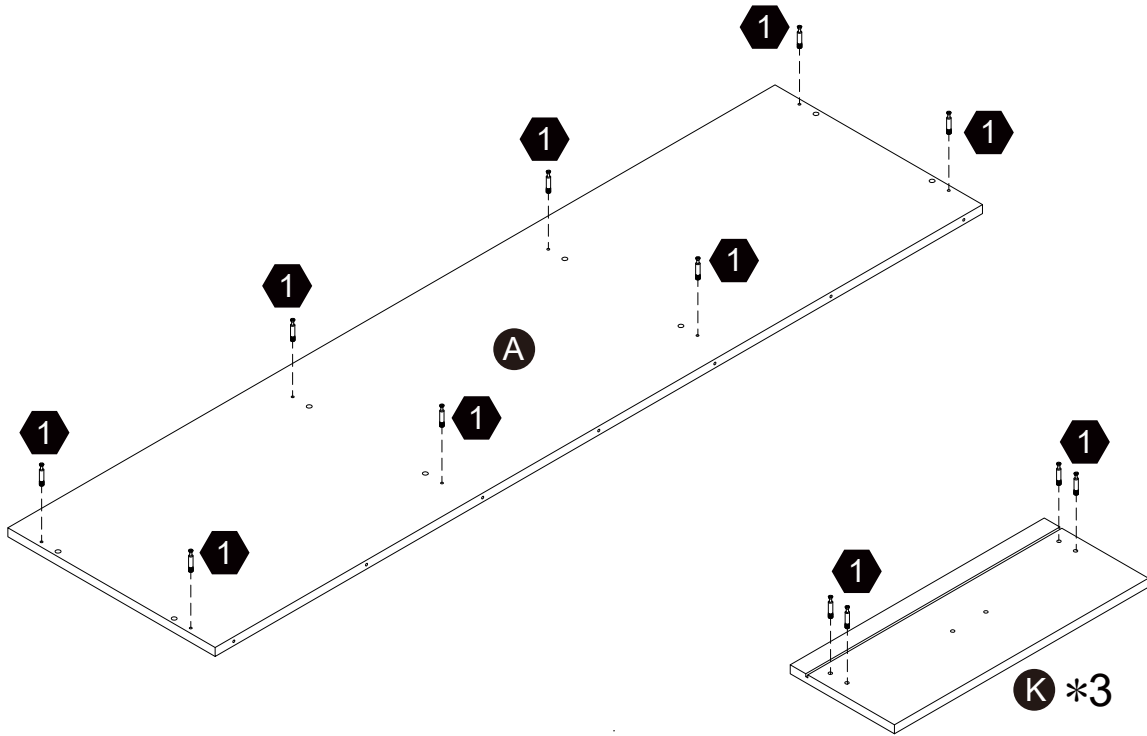


1 set

← Questions?
Scan Here


Step 1

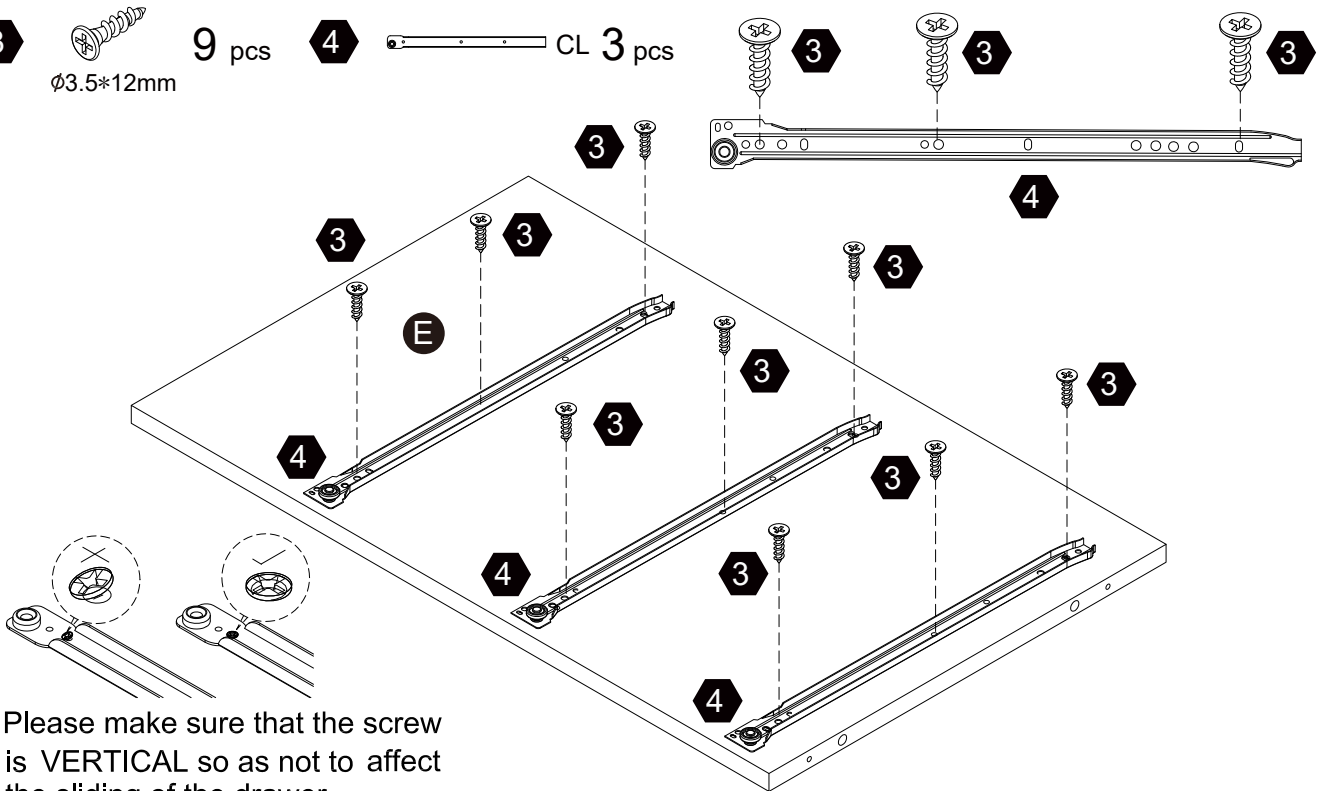
1  20 pcs
Ø6*35mm



Step 2

3  9 pcs
Ø3.5*12mm

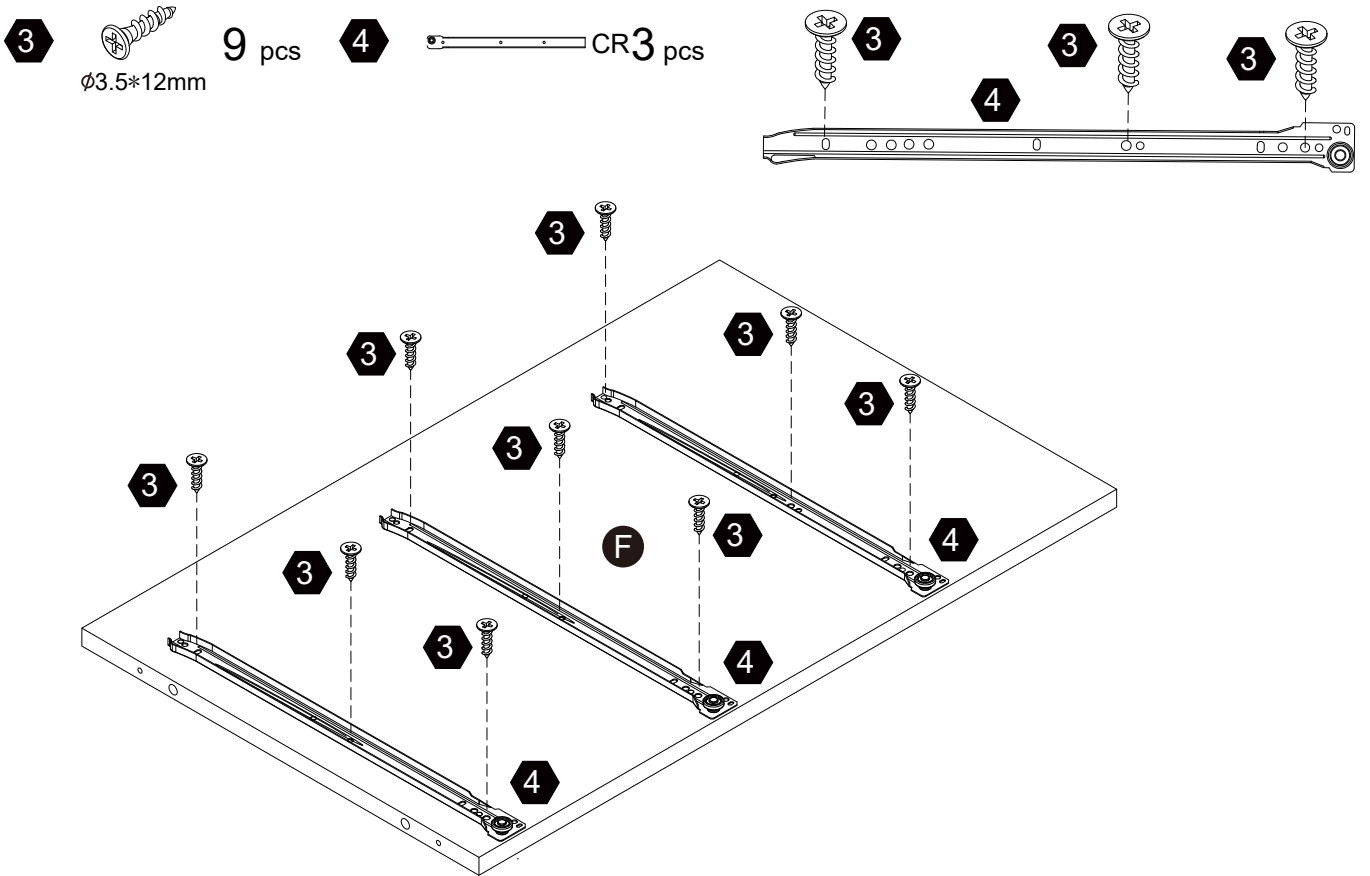
4  CL 3 pcs



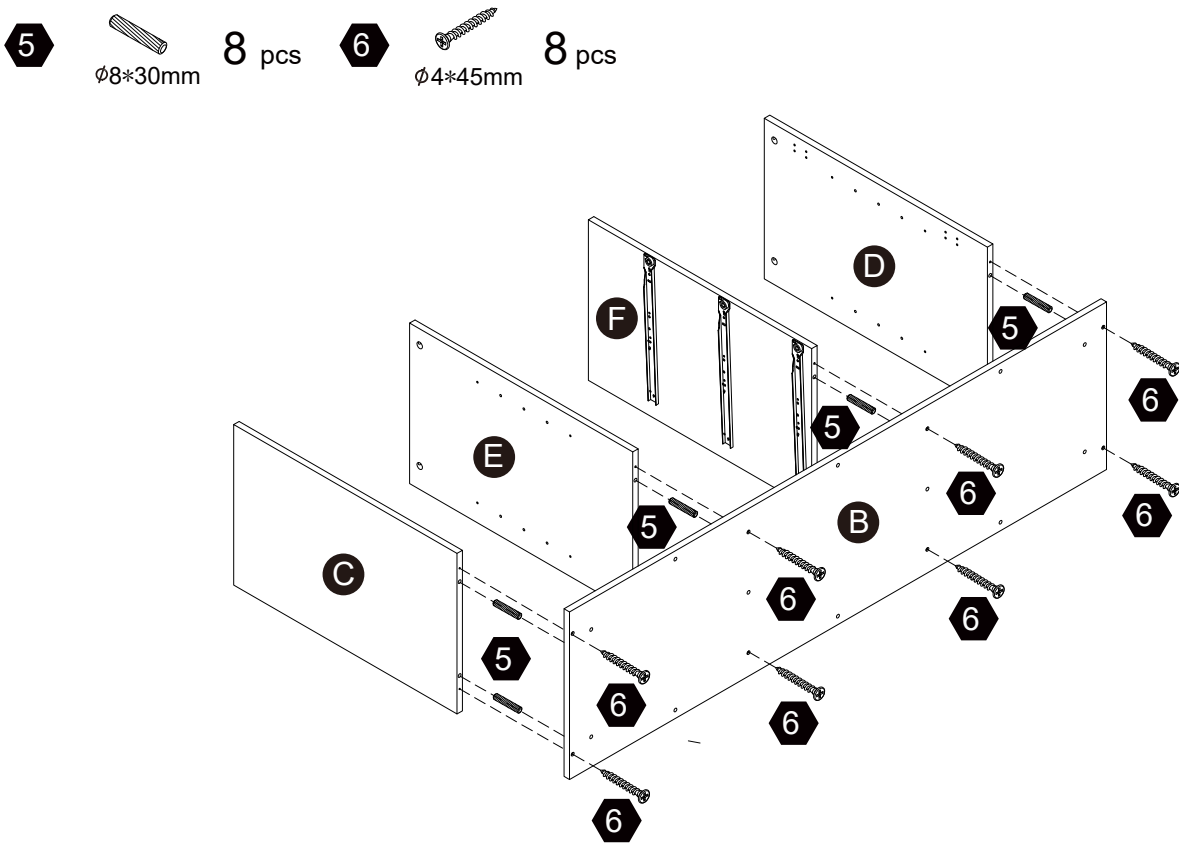
Please make sure that the screw is VERTICAL so as not to affect the sliding of the drawer.

 **Questions?**
Scan Here

Step 3



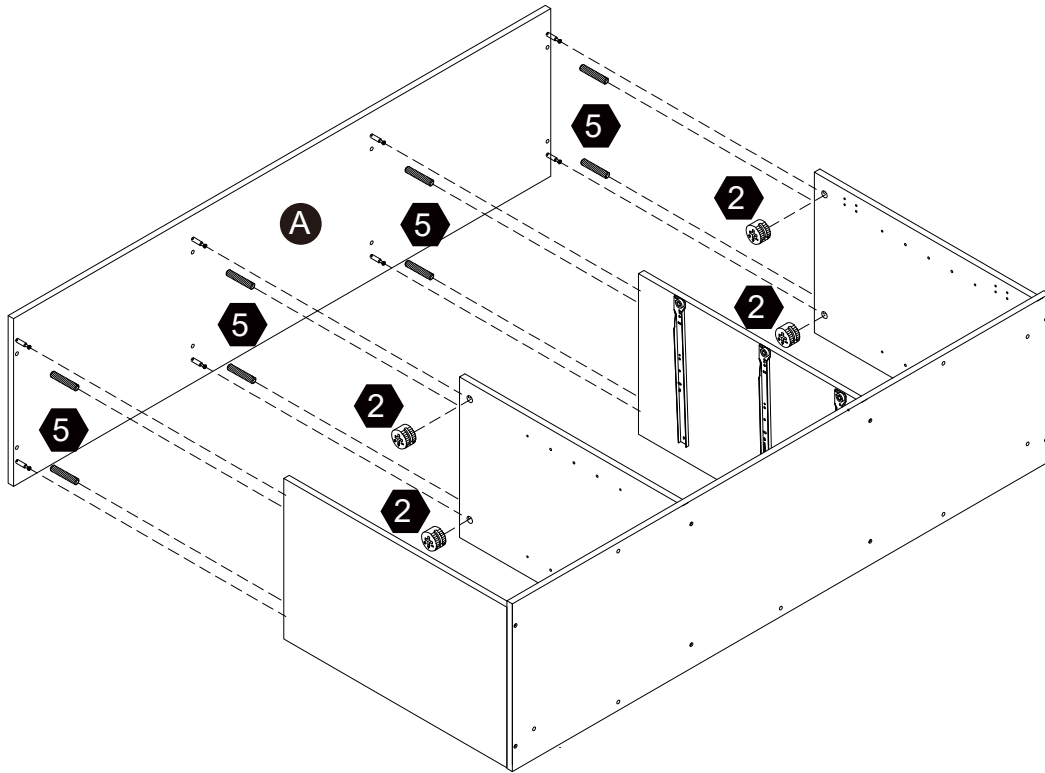
Step 4



← **Questions?**
Scan Here

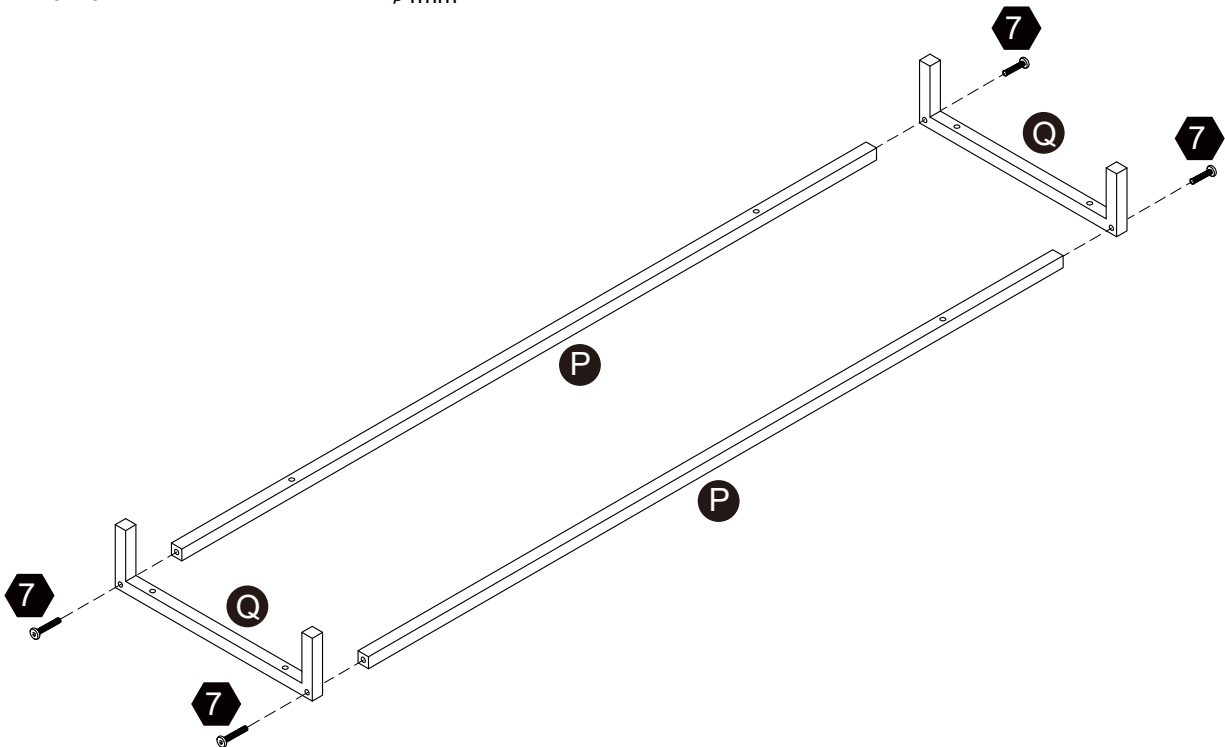
Step 5

- 2**  $\phi 15 \times 9 \text{mm}$ 8 pcs **5**  $\phi 8 \times 30 \text{mm}$ 8 pcs



Step 6

- 7**  $M6 \times 40 \text{mm}$ 4 pcs **9**  $\phi 4 \text{mm}$ 1 pc



 **Questions?**
Scan Here

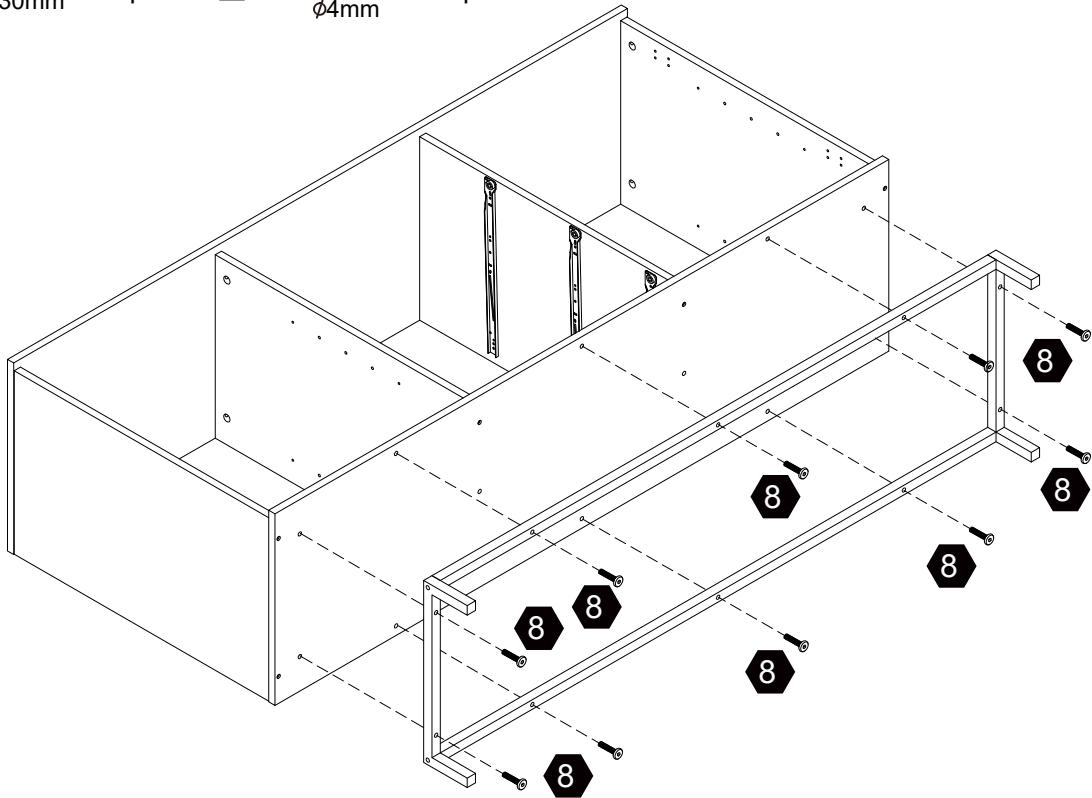
Step 7

8

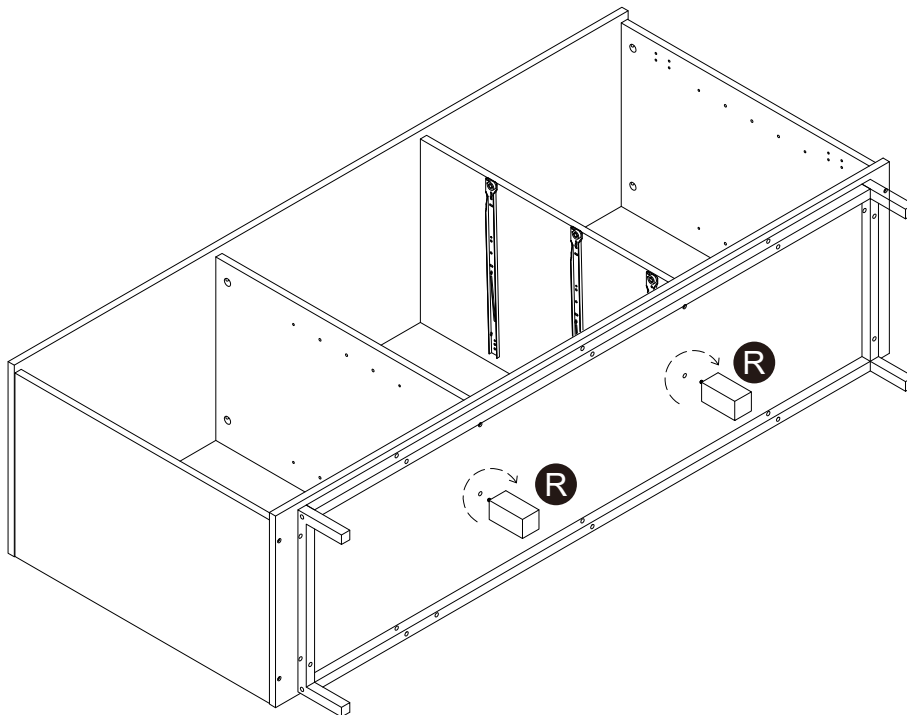
M6*30mm 10 pcs

9

∅4mm 1 pc



Step 8

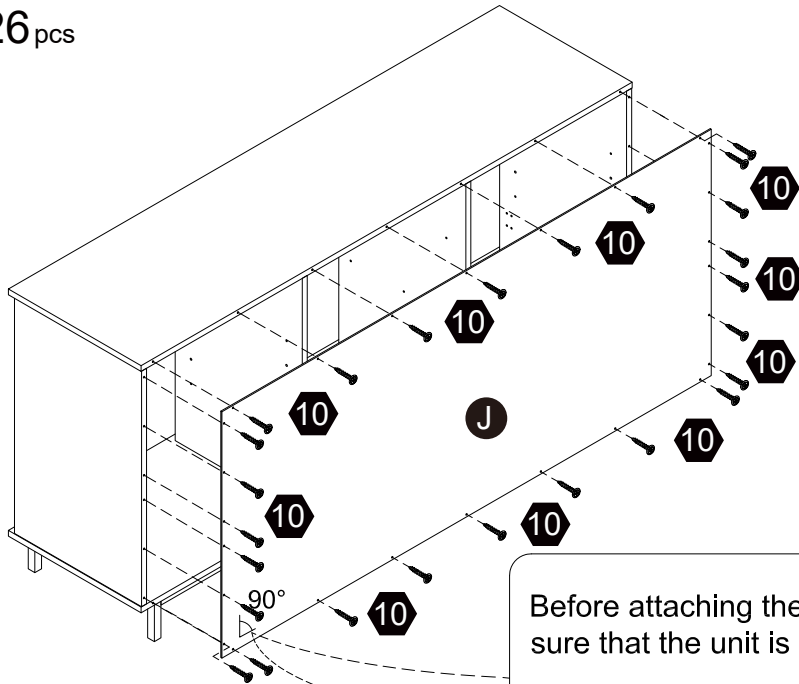


← **Questions?**
Scan Here

Step 9

10

 $\phi 3 \times 12 \text{mm}$ 26 pcs



Before attaching the back panel, be sure that the unit is at 90°.

Antes de atar el panel trasero, asegúrese de que la unidad está a 90°.

Step 10

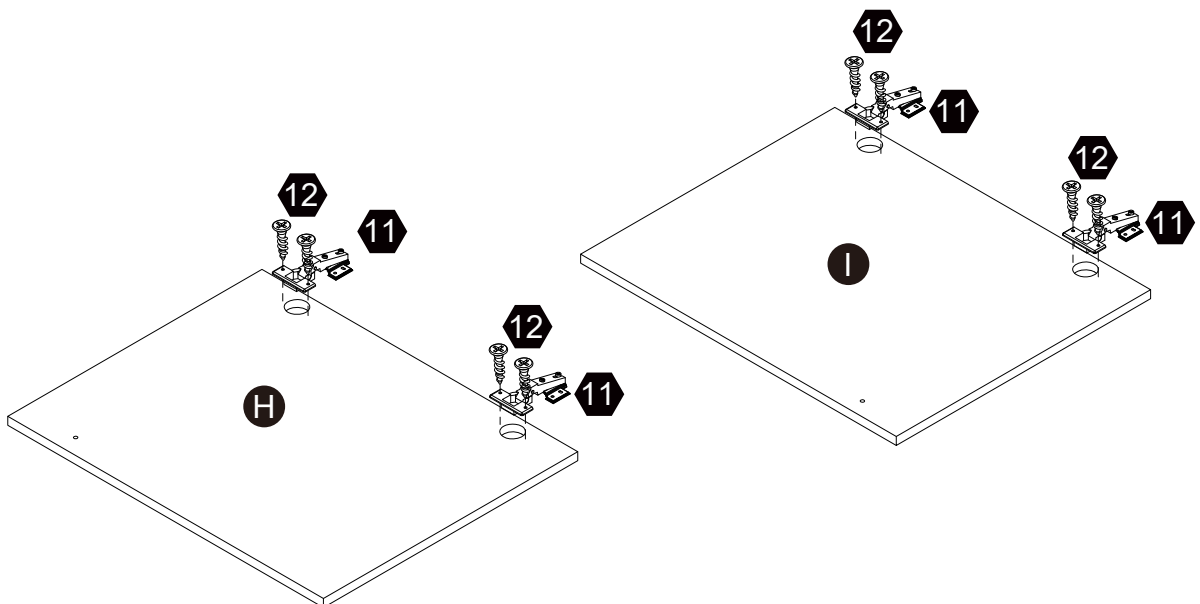
11



4 pcs

12

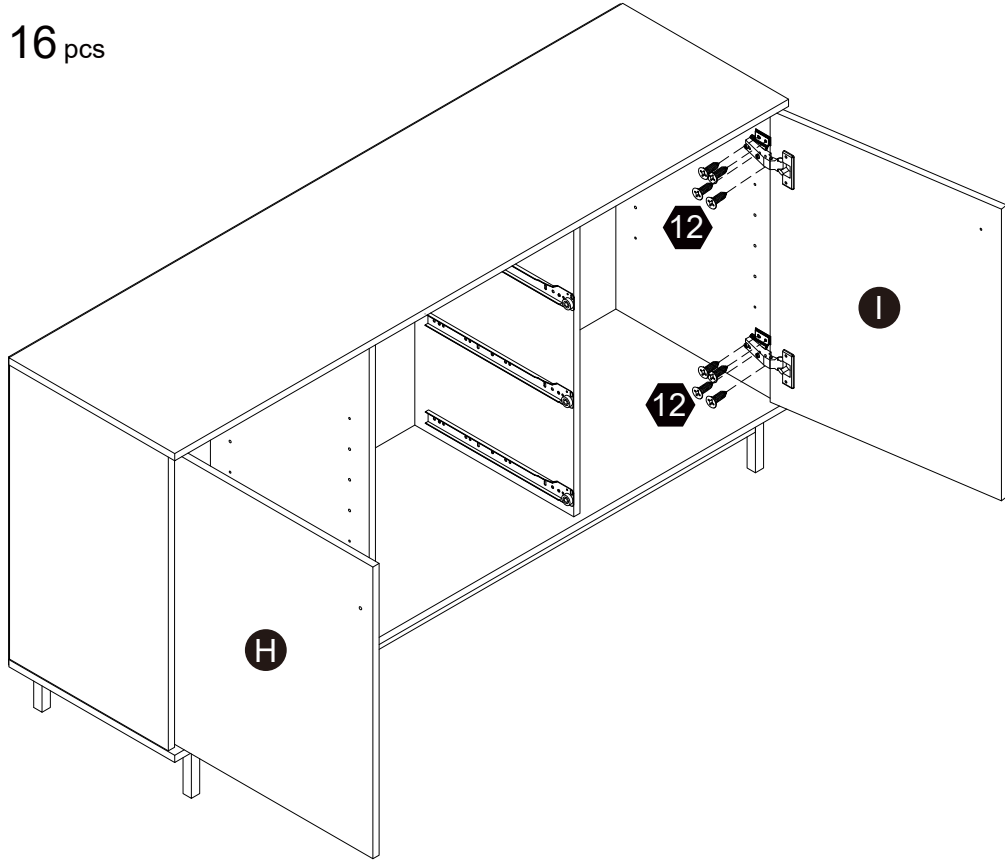
 $\phi 3.5 \times 14 \text{mm}$ 8 pcs



 **Questions?**
Scan Here

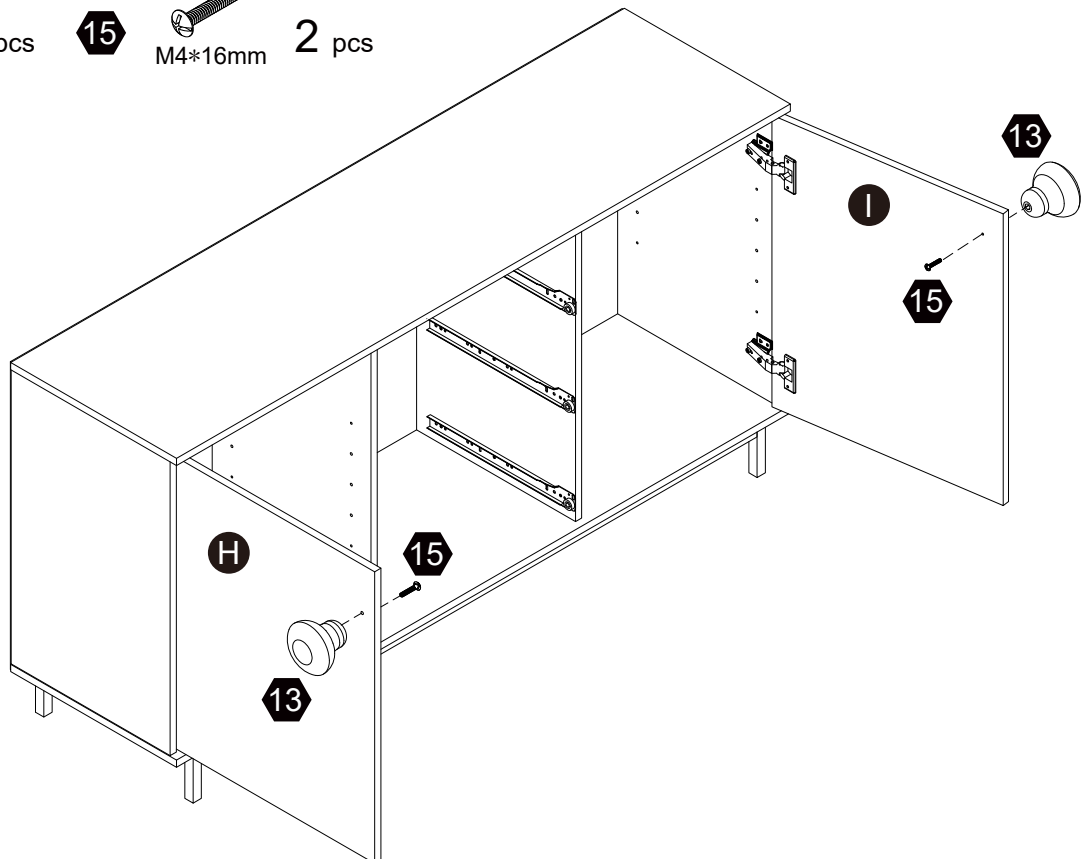
Step 11

12  $\varnothing 3.5 \times 14 \text{mm}$ 16 pcs



Step 12

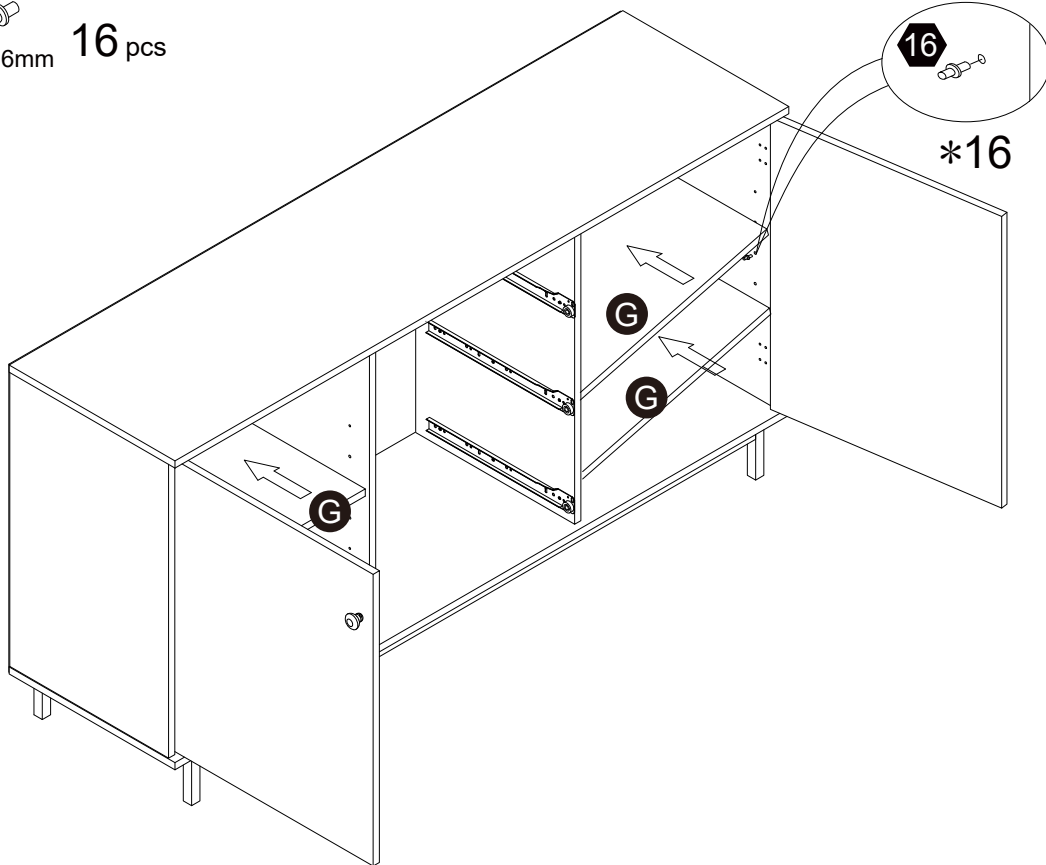
13  2 pcs **15**  M4*16mm 2 pcs



 **Questions?**
Scan Here

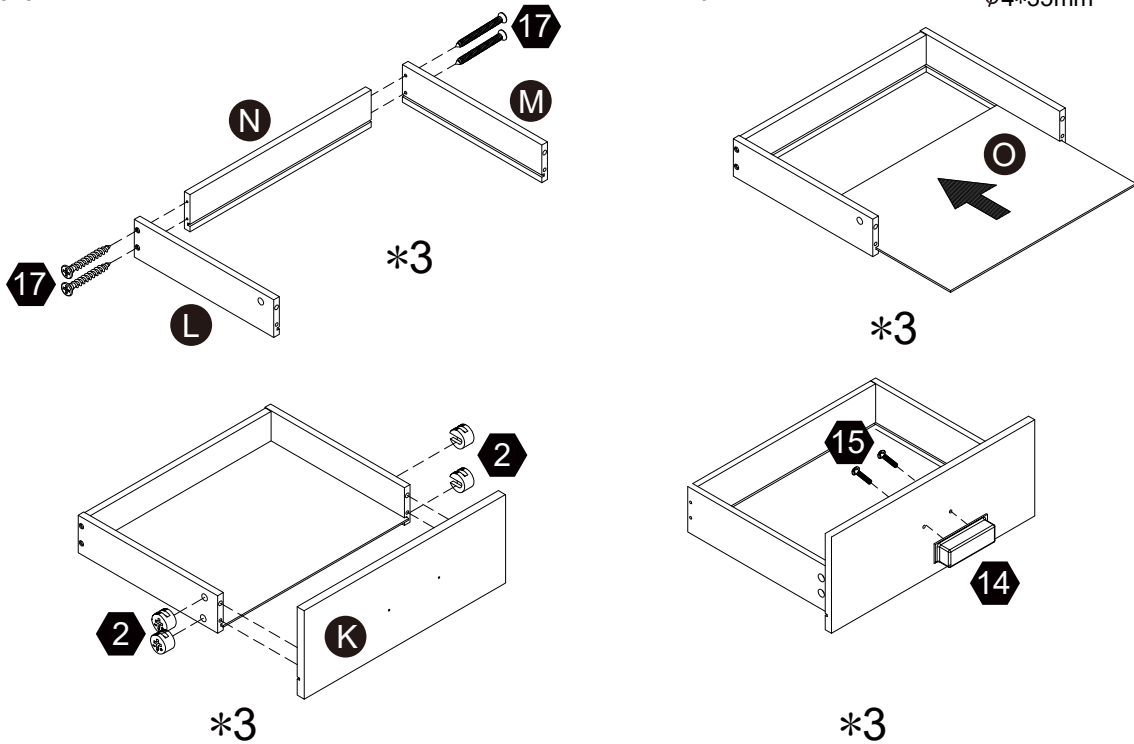
Step 13

16  $\varnothing 5 \times 16 \text{mm}$ 16 pcs



Step 14

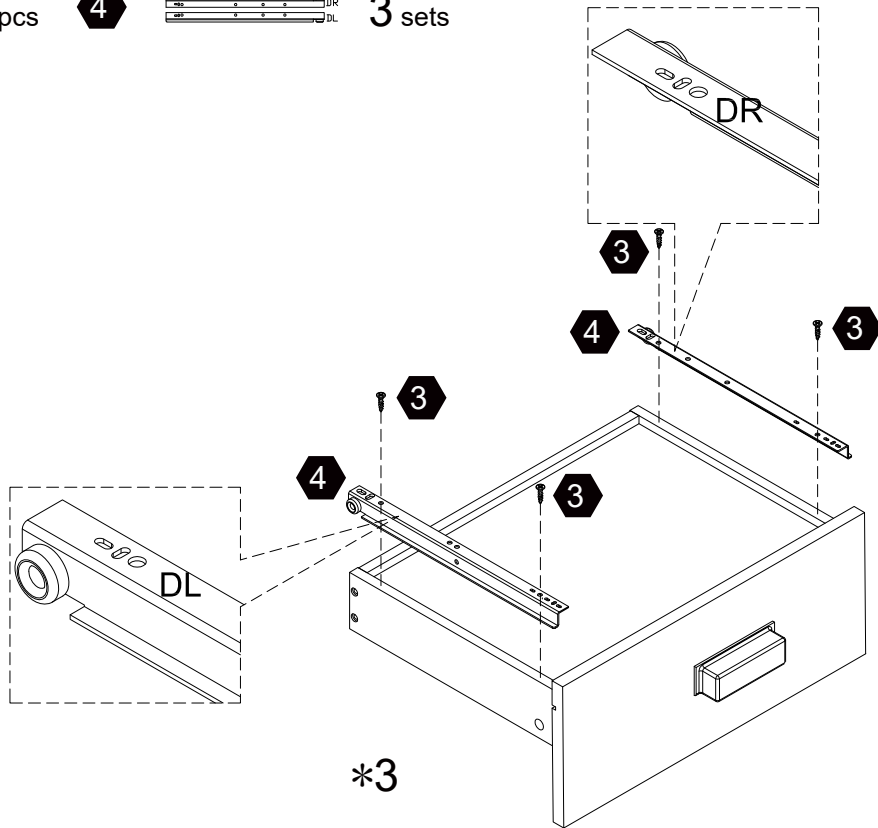
2  $\varnothing 15 \times 9 \text{mm}$ 12 pcs **14**  3 pcs **15**  M4*16mm 6 pcs **17**  $\varnothing 4 \times 35 \text{mm}$ 12 pcs



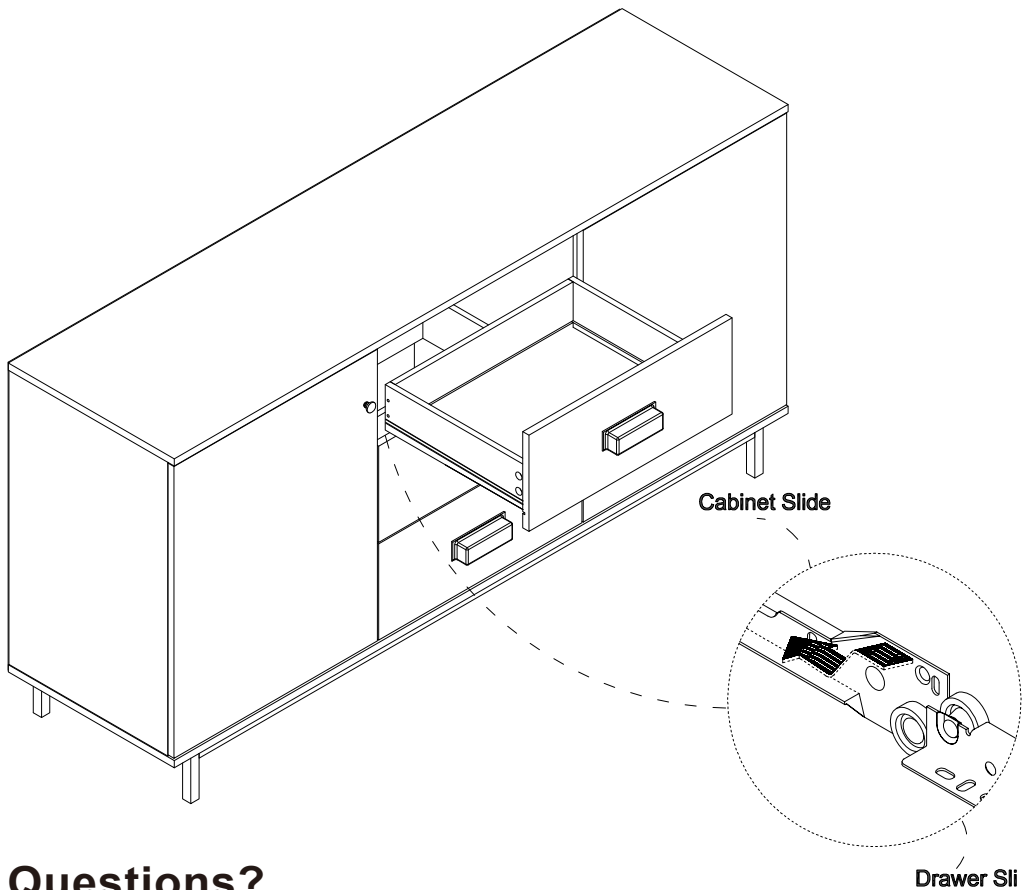
 **Questions?**
Scan Here

Step 15

- 3  12 pcs $\varnothing 3.5 \times 12 \text{mm}$
- 4  3 sets



Step 16



 **Questions?**
Scan Here

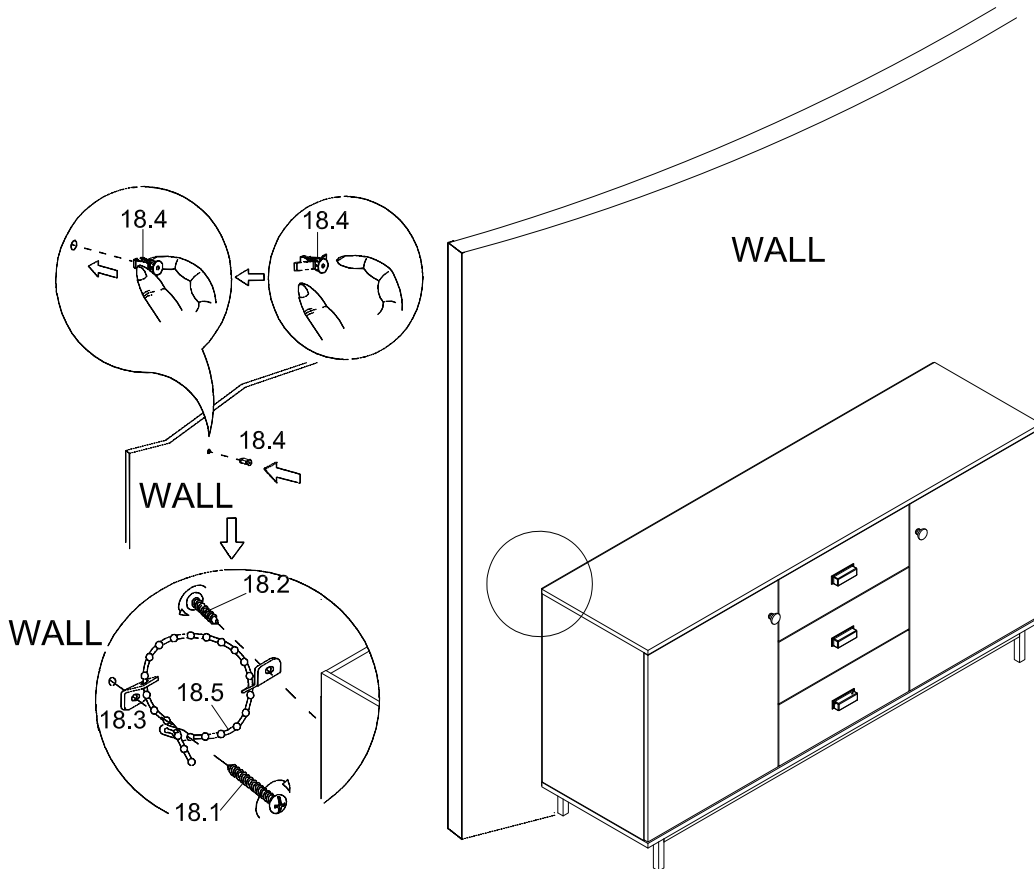
Step 17

18



1 set

PART LIST	FIGURE	QUANTITY	DESCRIPTION
18.1		1PC	LONG SCREW (Dia.4mmX38mmL)
18.2		1PC	SHORT SCREW (Dia.4mmX19mmL)
18.3		2PC	METAL "L"BRACKET
18.4		1PC	PLASTIC ANCHOR
18.5		1PC	CABLE



Follow the instructions printed on the plastic bag containing the tipping restraint hardware to attach the tip-over restraints to the unit and the wall.

NOTE: The tipping restraint hardware included is for drywall construction. It will be necessary to drill holes for the wall anchors. Depending upon your wall construction, different anchor hardware may be required. Please contact your local hardware store for assistance.

Questions?
Scan Here