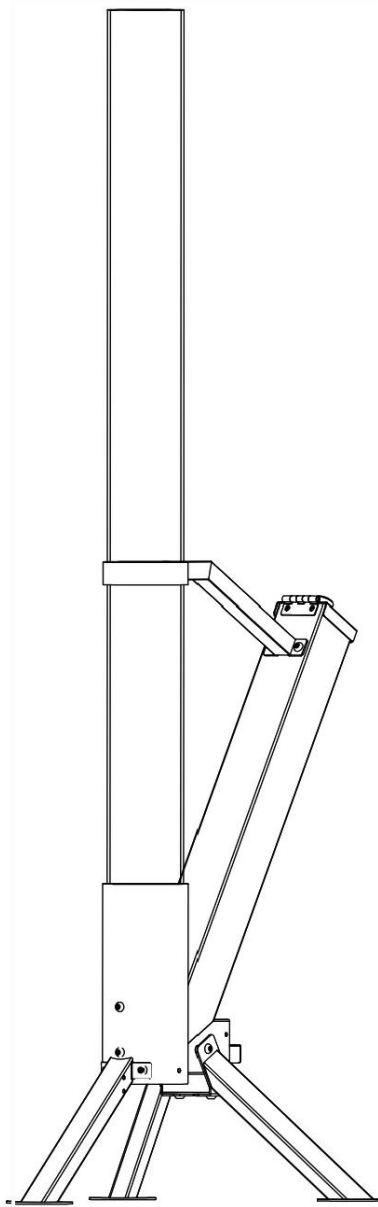


# Wood Pellet Fire Tube

## User Manual



## General

### Read and keep the operating instructions

The manual is part of this fire tube and contains important information regarding its use and handling.

Carefully read the manual, especially the safety instructions, before using the fire tube.

Failure to follow these instructions may result in severe injury or damage to the fire tube.

Please keep the instructions for future use.

### Intended Use

Please only use the fire tube in accordance with the instructions provided in this manual.

Any other usage is considered improper and may result in damage to property or personal injury.

The fire tube should not be used by children as it is not a toy.

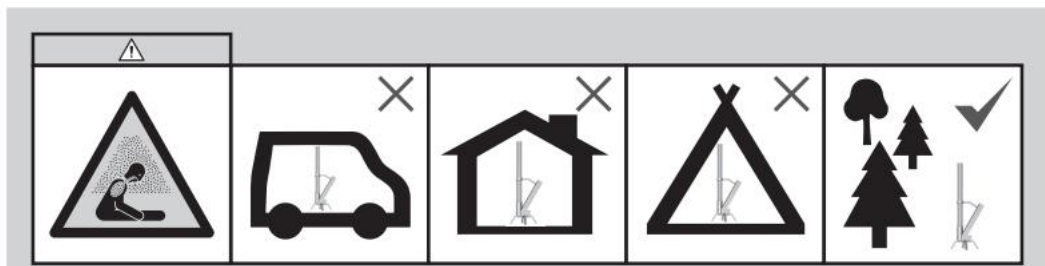
The fire tube is designed exclusively for outdoor use and should not be used indoors.

The manufacturer or dealer accepts no liability for any damage caused by improper or incorrect use.

**The user manual should be read carefully before using the fire tube for the first time and kept for future reference.**



WARNING OF HOT SURFACE.



**Do not operate the fire tube in enclosed and/or habitable rooms, such as buildings, tents, caravans, mobile homes, or boats. There is a risk of death due to carbon monoxide poisoning and fire.**

**Warning!**

This fire tube can not be used by persons(including children) with reduced physical,sensory or mental capabilities or lack of experience and knowledge.

Do not allow children to play near the fire tube.

Cleaning and user maintenance must not be carried out by children.

The entire fire tube and all its components become very hot during use. Do not touch the fire tube during operation.

No guarantee or warranty claims can be made as the glass breakage is only caused by improper use, as it is not a manufacturing quality issue.

Improper handling of the fire tube can result in injury.

If your fire tube or any of its parts are defective, please contact the service email address listed in the operating instructions. Please note that liability and warranty claims are excluded if you carry out repairs, modifications, improper connections or incorrect operation yourself.

- Check the fire tube for any damage before each use.If the fire tube is damaged, do not use it and contact the service email address provided.

- Observe local laws and all applicable regulations.

- The fire tube must not be moved or subjected to other activities (e.g. cleaning) during operation.

- No changes may be made to the fire tube!

- The fire tube is not suitable for use in coupled exhaust systems.

- When carrying out repairs, only parts corresponding to the original device data should be used.

- Use the fire tube only outdoors; never operate it in the rain.

- Ensure that the fire tube is always positioned vertically.

- The fire tube should not be directly against a wall, under an awning or similar structure.

- The minimum distance to flammable materials and surrounding surfaces must be at least 10 FT.

- Do not use the fire tube in a recessed area, as smoke may accumulate there.

- Only use the specified fuel. It is not permitted to use charcoal briquettes or liquid fuels in this fire tube.**(ATTENTION! Do not use spirits or petrol to ignite or reignite the fire! )**

- Make sure that no objects are inserted into the fire tube.

- The burning time of approx. 2 LB of wood pellets is approx. 70 minutes.

- Continuous use of the fire hose for more than 2.5 hours is not recommended.

- Always keep a fire extinguisher readily available.

- The air inlet must not be blocked. Ensure that there is an adequate supply of combustion air.

- Do not put your hands into the fire tube.

- Keep fingers, hair, ties, scarves, loose clothing and long necklaces or bracelets away from the fire pit.

- Keep sprays and aerosols away from the fire tube.

- Place the fire pit on an easily accessible, level, dry, heat-resistant, non-flammable and sufficiently stable surface. Make sure the surface has sufficient load-bearing capacity.

- Immediately stop using the burner in severe bad weather, such as rain, wind, storms, etc.

- Do not fill the pellet chute or combustion chamber with water.

- During operation, the glass tube must not be covered.

- Before lighting, ensure that the lid is securely fastened onto the pellet holder.

- Before each use, ensure that there are no foreign objects or deposits in the fire tube.

- During operation, do not touch the hot parts of the fire tube with bare hands.
- Never move the fire tube while it is in operation or still hot; wait until it has completely cooled down.
- Only open the drawer once the fire tube has completely cooled down.
- Stay away from smoke that is escaping.
- During use, always keep all flammable liquids away from the device. Additionally, do not use the fire tube as a waste incinerator.
- Do not spray water or any other abrasive cleaning agents into the fire tube while it is in operation.

### **Safety & initial commissioning**

#### **WARNING!**

Risk of injury!

Improper operation of the fire tube may cause injury and may result in damage to the fire tube.

#### **Initial commissioning**

##### **Check fire tube and scope of delivery**

#### **NOTICE!**

Risk of damage!

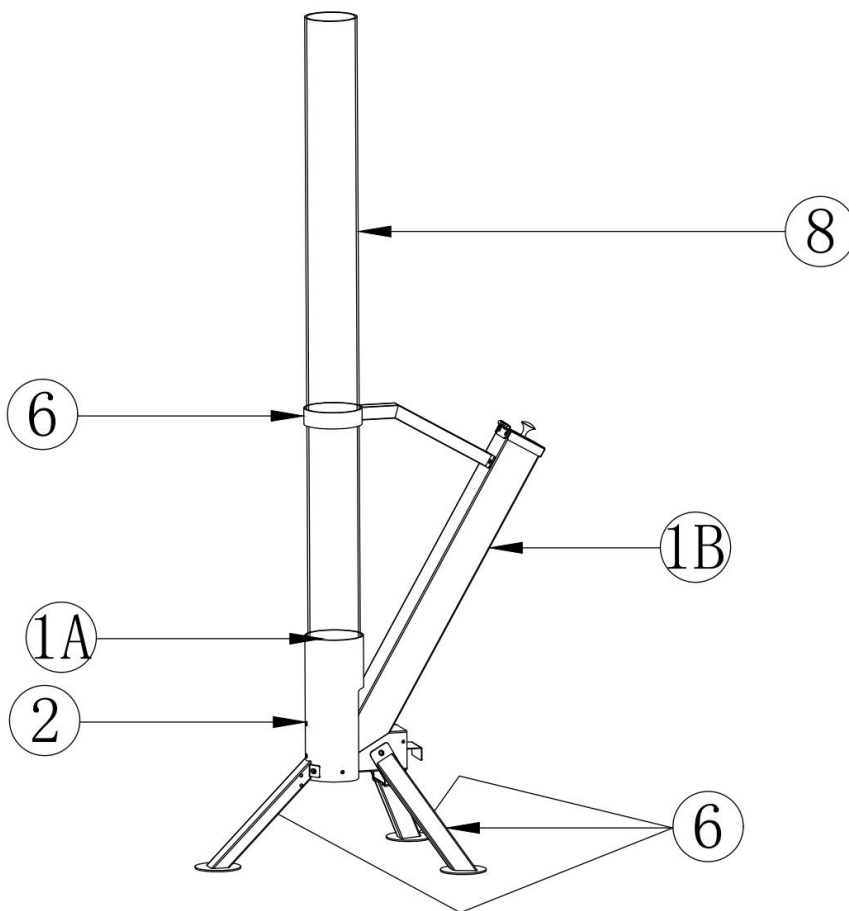
Please be careful not to open the package carelessly with a sharp knife or other sharp objects, the fire tube may be damaged.

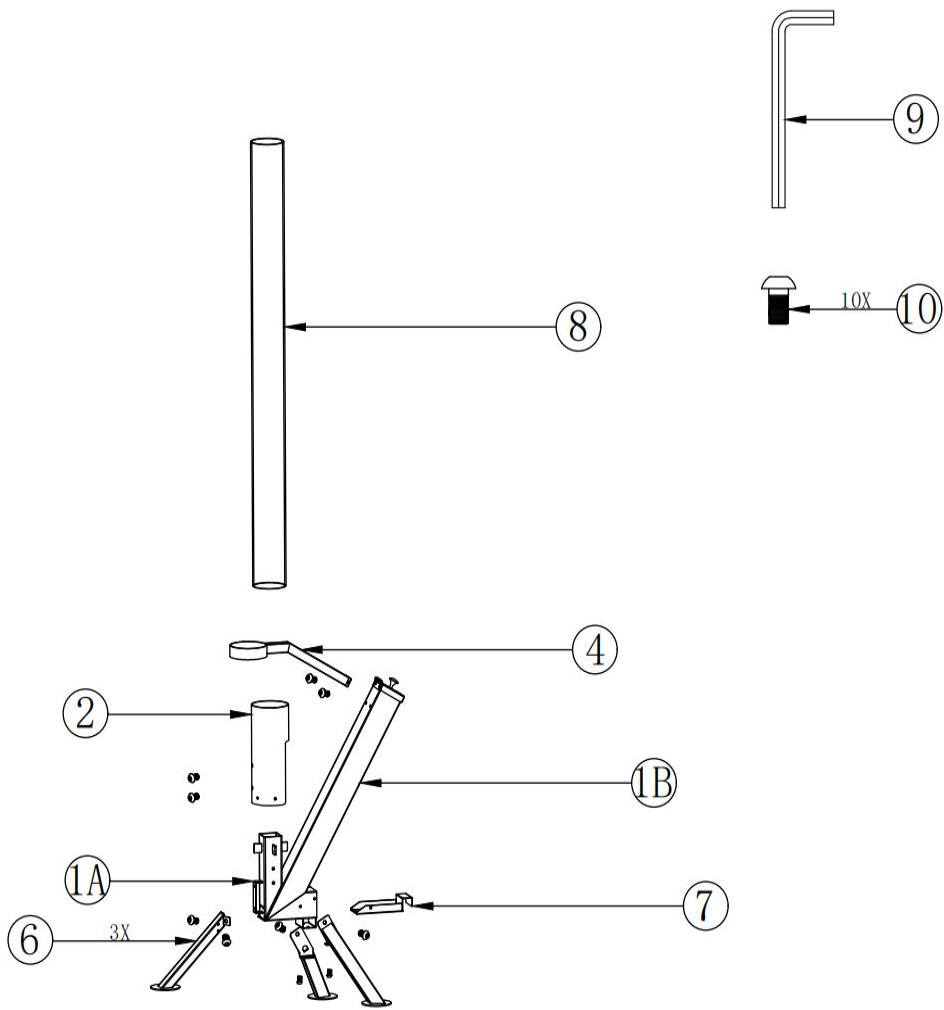
- Please be careful when opening.
1. Remove the fire tube from the package.
  2. The fire tube or individual parts should be checked to ensure that they are not damaged.

If this is the case, do not use the fire tube, but contact the merchant via the service email address provided.

### Assemble and Set up

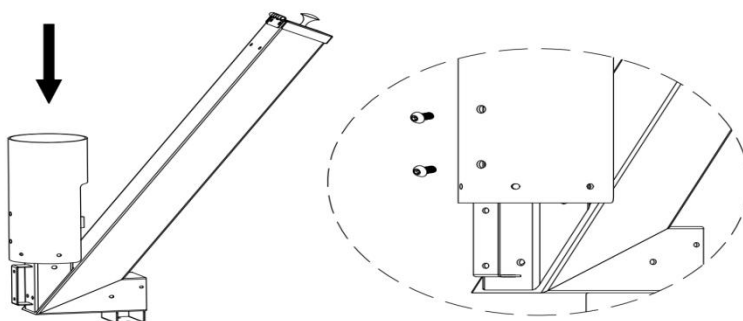
Part List		
1A:	Combustion chamber	1 PC
1B	Pellet chute	1 PC
②	Cover	1 PC
③	Lid	1 PC
④	Holder for glass tube	1 PC
⑤	Chimney band	1 PC
⑥	Standing base	3 PCS
⑦	drawer for ash	1 PC
⑧	Glass tube	1 PC
⑨	Allen key	1 PC
⑩	Allen screw	10 PCS





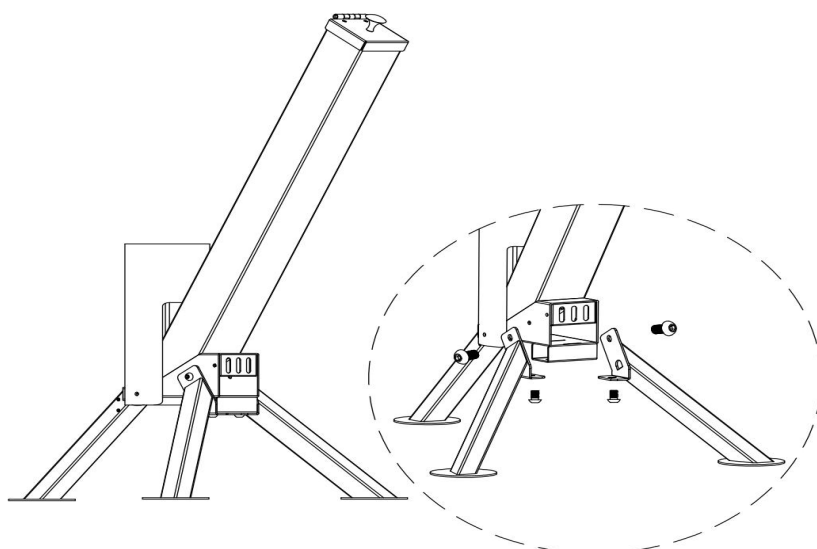
## Step-by-step instructions

1



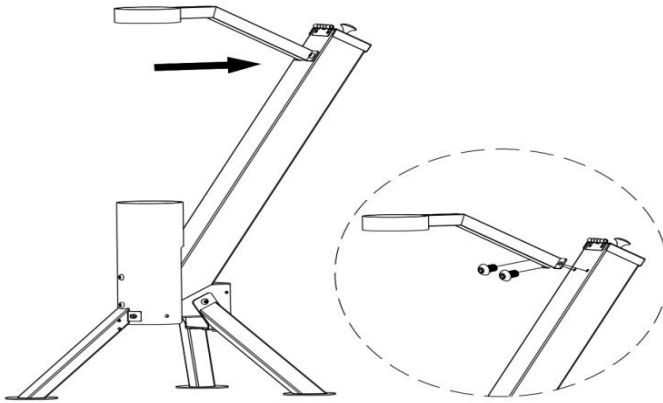
1. Slide the cover ② onto the combustion chamber 1A (see Fig. A).  
Finally, secure the cover with two hexagon socket screws ⑩ and use the supplied hexagon socket wrench ⑨ on the combustion chamber (refer to Fig. 1).

2



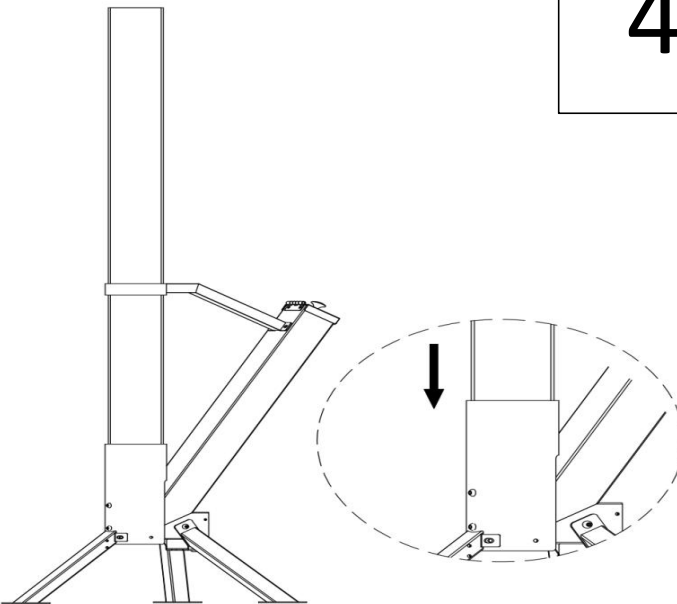
2. The base ⑥ should now be fixed to the device under the combustion chamber using the hexagon socket screws ⑩ (refer to Fig. 2).

3



3. Then attach the holder for the glass tube ④ to the pellet chute using two hexagon socket screws ⑩ (see Fig. 3).

4



4. To avoid damaging the glass tube, first ensure that there is a chimney band ⑤ in the inner area of the bracket ring and on the cover. If it is missing, you can still use the fire tube; however, it is recommended to attach commercially available chimney bands to both places for additional stability. If necessary, contact the manufacturer.

5. Place lid ③ on top of the pellet chute .

6. Slide the ash drawer ⑦ into the recess located below the pellet chute .

7. The fire tube has now been fully assembled.

## Using the fire tube

### WARNING!

#### Risk of injury and fire!

Improper handling of the fire tube may lead to serious injuries.

- **WARNING:** Do not directly place pellets into the combustion chamber! There is a risk of burns!
- Never fill the pellet chute with more than 2 lbs; avoid overfilling it. Please note that the weight of the wood pellets varies depending on their type and associated density.
- Keep the lid and ash drawer closed while in use to prevent smoke from escaping.

1. Before each use, ensure that there is no ash or pellet residue in the fire tube or on the side. The pellet shaft must be clean to prevent pellets from getting stuck. To do this, remove the glass tube⑧, lid③and ash drawer⑦; then turn the fire tube upside down and carefully knock out any remaining debris.

2. Place the fire tube back onto a solid surface and push the ash drawer into the slot on the fire pit.

3. Fill the required amount of hot pellets into the pellet chute **1B** and replace the lid . The maximum permissible amount is 2 LB (pellets with a maximum diameter of 0.24 INCH and a maximum length of 0.24-1.18 INCH). The burning time of approx. 2 LB of wood pellets is approx. 70 minutes. If you want a shorter burning time, adjust the amount of wood pellets. For a desired burning time of approx. 45 minutes, you need approx. 1.3 LB of wood pellets.

4. Light a piece of wood wool and place it in the combustion chamber.**1B** fall .

5. Wait until the ignition is fully ablaze, and then place the glass tube back onto the combustion chamber (see illustration).

6. The pellets gradually slide into the combustion chamber and are ignited. Please note that it takes about 15 minutes for the fire tube to reach the normal flame height, which is approximately at the edge of the glass tube.

**Attention!** In the event of an emergency or to prematurely end the combustion process, use an foam extinguisher or a powder fire extinguisher to extinguish the fire tube.

7. To prolong the combustion process, add more pellets at regular intervals before the fire starts burning. If there are no wood pellets visible in the fire tube and/or there are already embers in the refill shaft or only embers in the combustion chamber, please refrain from adding any more wood pellets. Wait until the combustion process is completely finished. Then relight the fire tube as described above. When refilling the pellets during the combustion process, ensure that you do not keep the lid open for too long; otherwise, there may be a risk of fire breaking out of the pellet shaft or excessive smoke.

## Malfunction and error table

### WARNING

#### Risk of injury!

- If the issue cannot be resolved, please contact customer service.
- Do not attempt to repair the fire tube yourself.
- If there are any faults not listed here, please contact our customer service. The service email address can be found in the operating instructions.

Mistake	Cause	Solution
Discolored smoke is emitted from the fire tube.	The pellets are too moist.	Replace the pellets with fresh and dry pellets. Allow the pellets that have already been filled in to burn out completely.
The fire tube was exposed to rain	-	Only put the fire tube back into operation when it is completely dry. Remove all damp pellets before operating the fire tube again.

## Fire tube cleaning

### Risk of damage!

During the operation, the fire tube will become very hot, so you may get burned. Please wait for the fire tube to cool down before cleaning.

- Make sure the fire tube has cooled completely before cleaning it.
  - Clean the fire tube after each use to remove deposits from the combustion process.
  - Avoid using corrosive cleaners, brushes with metal or nylon bristles, and sharp or metal cleaning items such as knives and metal sponges. These items may damage the surface.
  - Do not immerse the fire tube in water, as this may damage them.
  - Avoid spraying water or liquid cleaners into the combustion chamber or pellet chute.
  - Clean the fire tube using warm water and a commercially available detergent.
  - Do not use oven cleaners, scouring agents, or aggressive cleaning pads on the outer compartments of the fire tube.
  - To maintain the fire tube, we recommend regularly cleaning the stainless steel with commercially available stainless steel cleaner.
  - To prevent pellets from getting stuck and clogging the pellet chute, it must be regularly and properly cleaned of combustion/smoke residues.
  - For thorough cleaning, disassemble the fire tube before cleaning.
  - The smoke chamber should be cleaned using only clean water, without the use of any detergent.
1. Remove ash drawer ⑦ and empty its contents into a suitable ash bin or fireproof container .
  2. To clean the fire tube, use a slightly damp soft cloth with commercially available dishwashing detergent.
- After cleaning, ensure that all parts are allowed to dry completely.

**Storage**

Store the fire tube in a clean and dry place, away from heat sources, to avoid direct sunlight, and out of reach of children.

**Technical data**

Improper storage of the fire tube can lead to damage to the fire tube.

Dimensions (L×W×H)	approx. 21.63*14.4*51.53 inch
Dimensions glass tube (O*H)	approx. 3.15*39.4 inch
Weight (total):	approx. 12 LB
Pellet capacity:	2 LB(depending on pellet type and density)
Recommended pellets:	Diameter of max.0.24inch; length of 0.5-1.2inch

**Technical changes reserved**

Glass breakage is only caused by improper use due to manufacturing quality, which is why no guarantee or warranty claims can be made in this case.

**Disposal****Dispose of packaging**

Dispose of packaging separately. Place cardboard and cartons in the waste bin, and put EPE in the recycling bin.

**Dispose of fire tube**

If the fire tube is no longer usable, please return it to a designated collection point in your community/district.

**NOTICE!**

**First of all, Thank you very much for choosing our products.**

**Secondly, If you encounter problems in the use of the product, please contact our after-sales service email, we will do our best to solve product problems for you.**