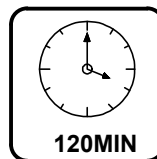
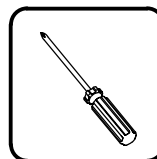
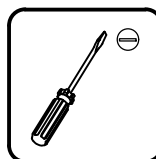
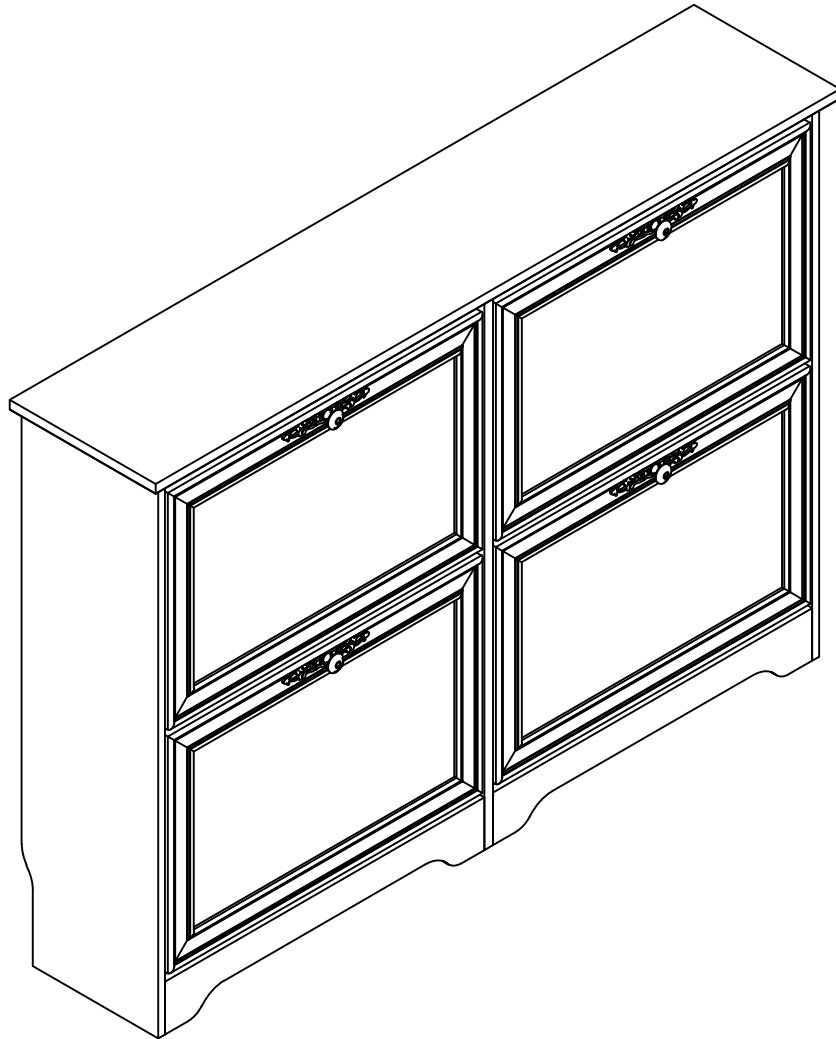


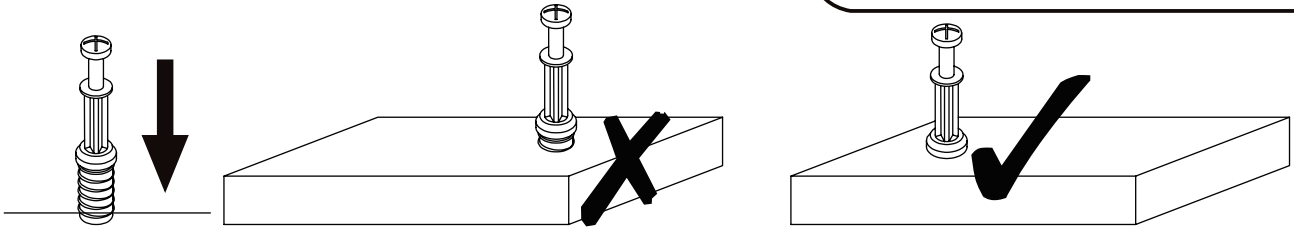
# Installation & Assembly

Version:1.0

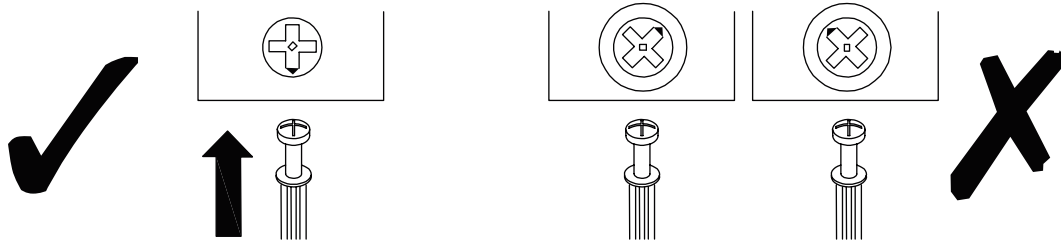


**EN\_IMPORTANT, RETAIN FOR FUTURE REFERENCE: READ CAREFULLY.**

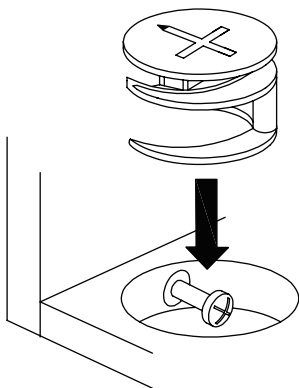
**USING CAM LOCK AND QUICKFIT**



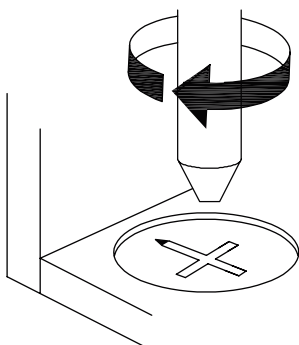
**EN\_QUICKFIT:** Tighten quickfit until shoulder is flush with panel. Do not overtighten or undertighten.



**EN\_CAM LOCK:** When fitting cam lock, ensure starting position is correct before you insert connecting quickfit.

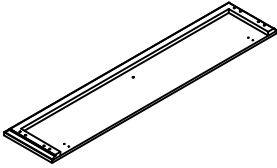
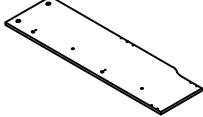
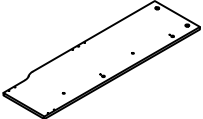
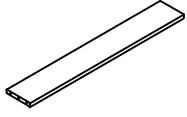
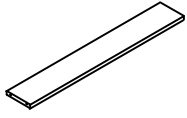
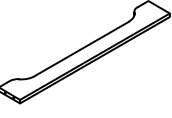
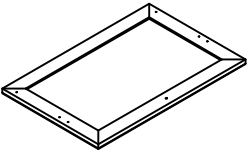
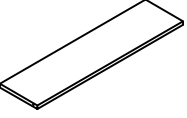
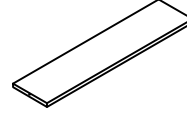
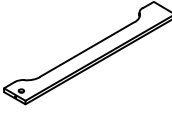


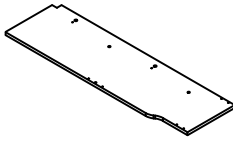
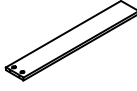


**EN\_Quickfit head** should be in the centre of the cam lock when the two panels are joined.  
Cam lock should be inserted before quickfit.

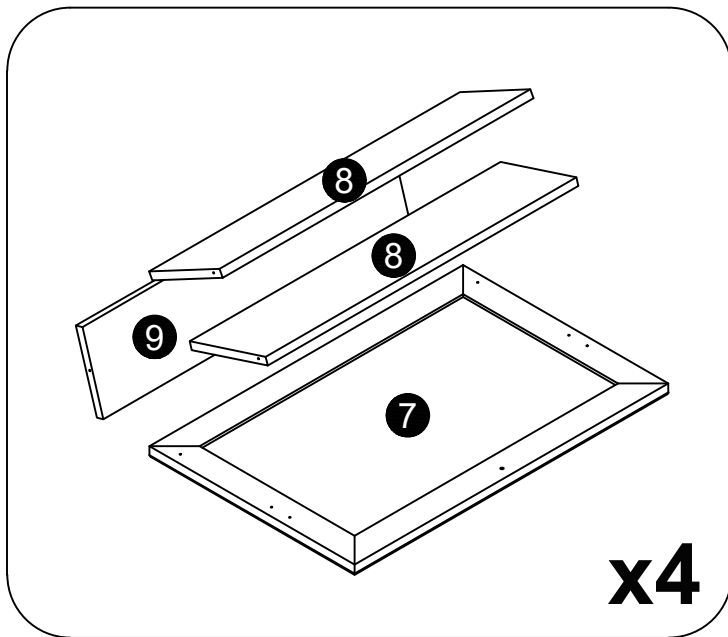
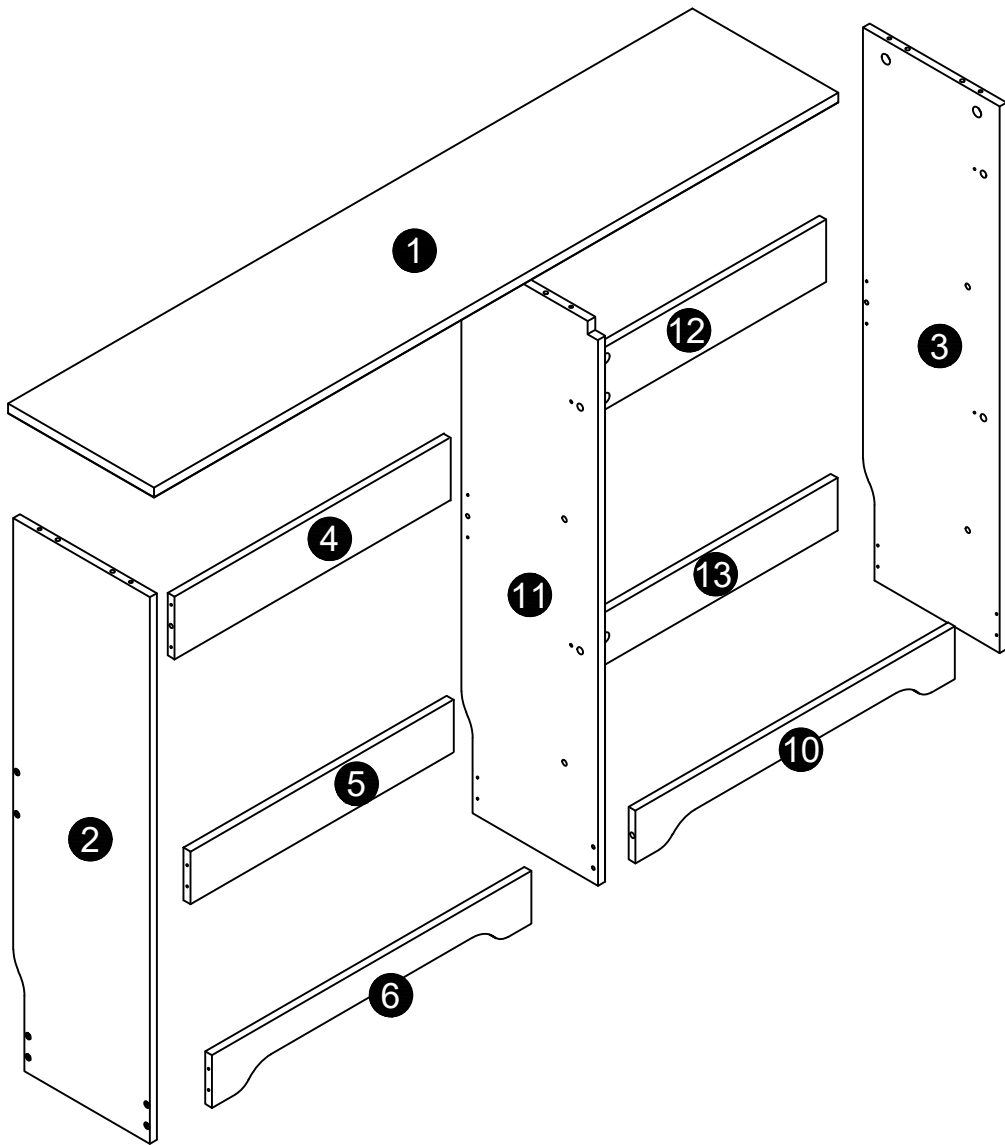


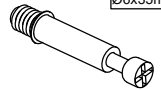

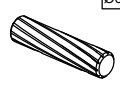
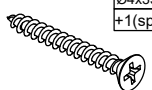
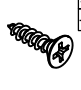






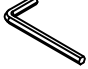



**EN\_Turn** cam lock clockwise to tighten.

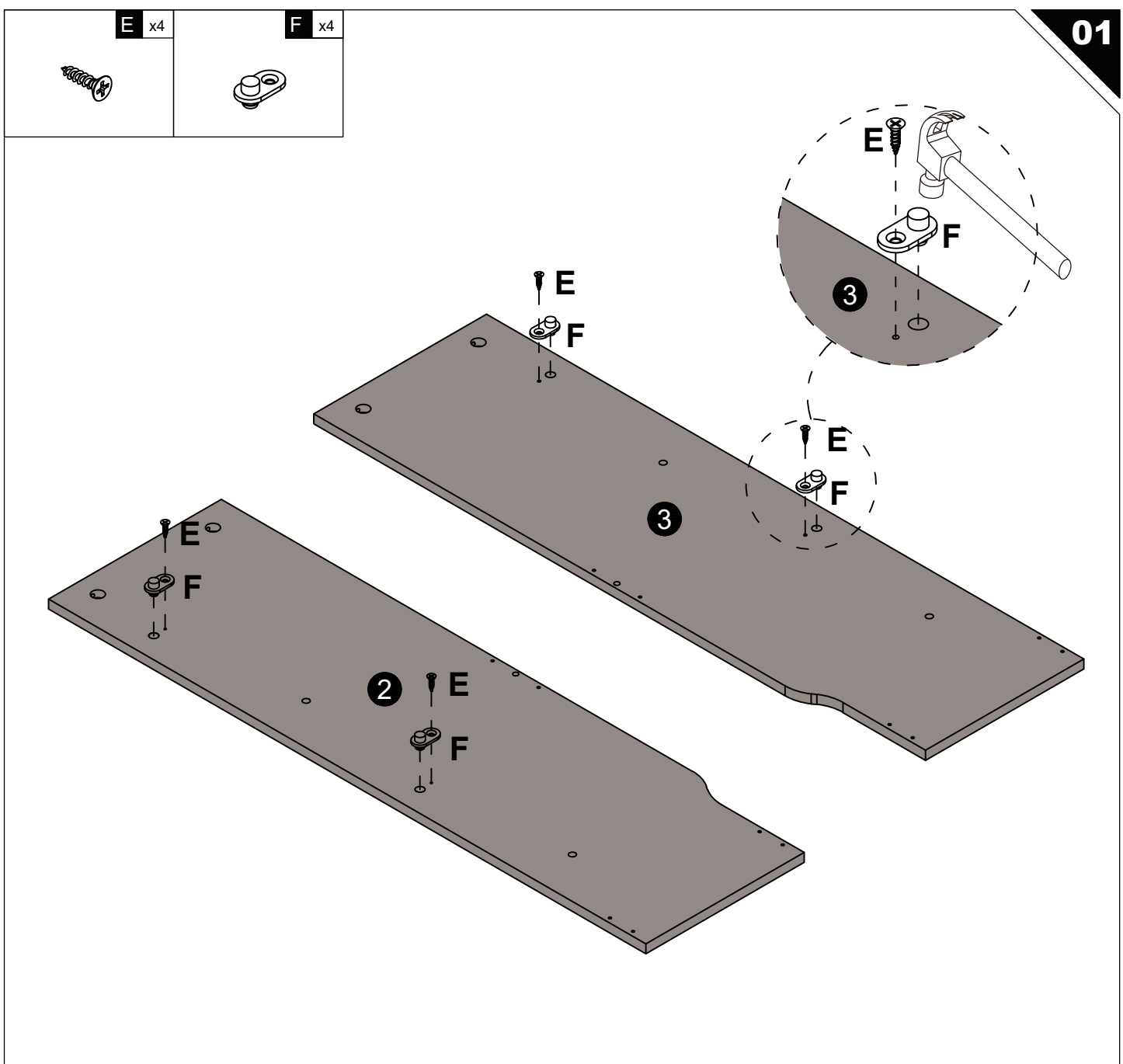
**PACKING DELALS**

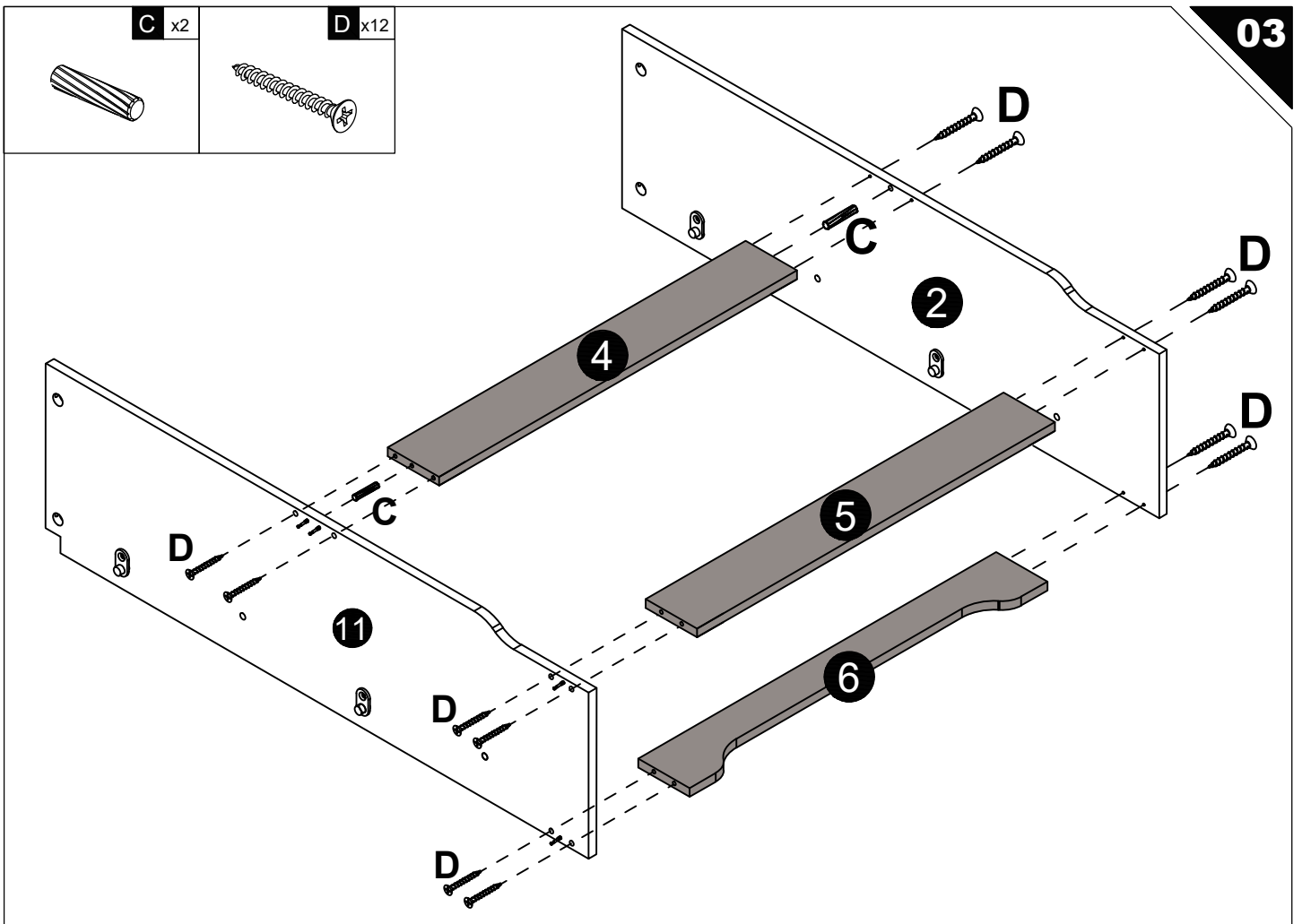
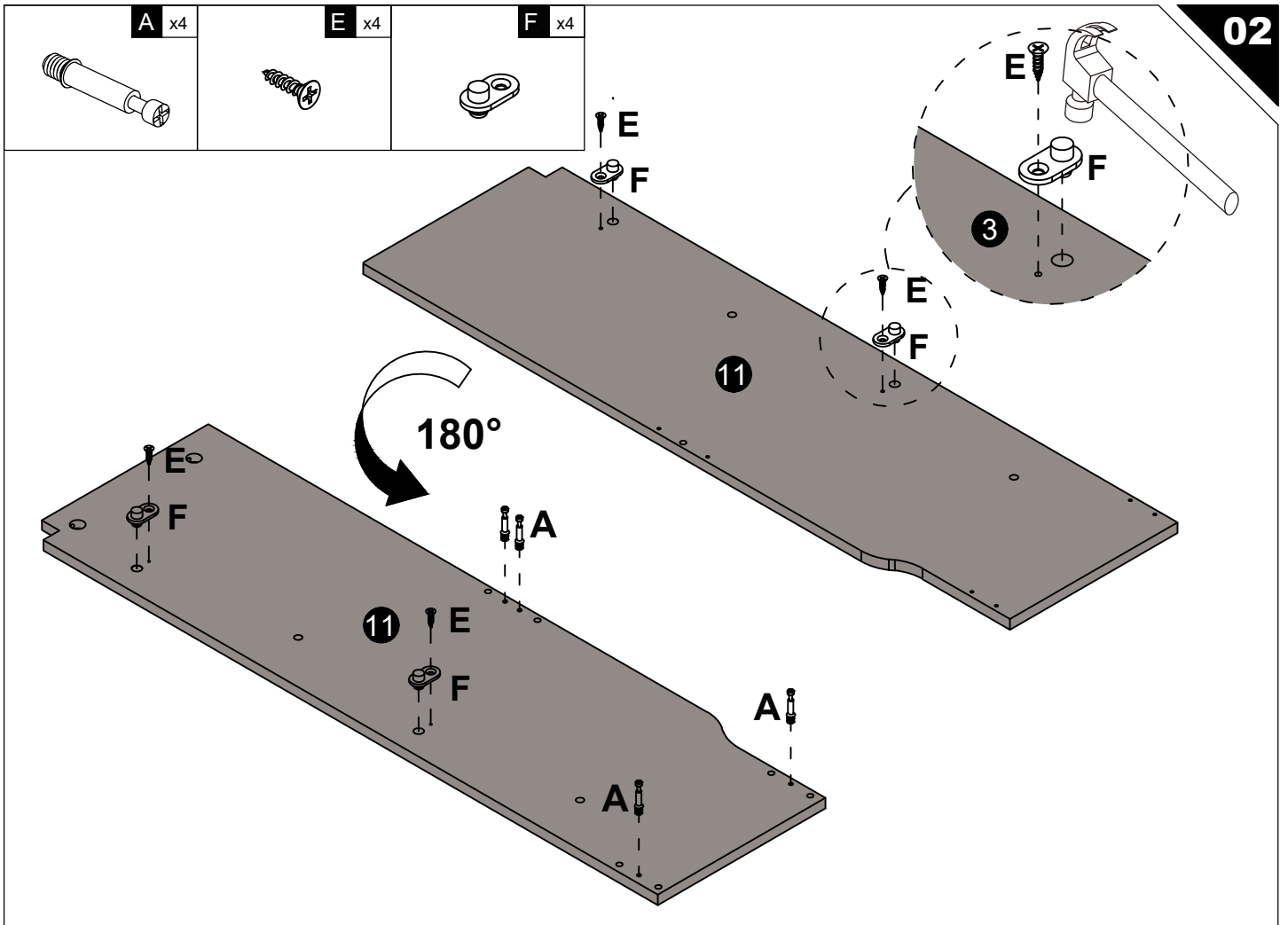
| NO. | PARTS   | QTY | SPARE |
|-----|---|-----|-------|
| ①   |    | x1  |       |
| ②   |    | x1  |       |
| ③   |    | x1  |       |
| ④   |    | x1  |       |
| ⑤   |  | x1  |       |
| ⑥   |  | x1  |       |
| ⑦   |  | x4  |       |
| ⑧   |  | x8  |       |
| ⑨   |  | x4  |       |
| ⑩   |  | x1  |       |

| NO. |  | QTY | SPARE |
|-----|--|-----|-------|
| ⑪   |                  | x1  |       |
| ⑫   |                  | x1  |       |
| ⑬   |                  | x1  |       |
|     | <br>Hardware Kit | x1  |       |



|   |  |   |   |   |  |
|---|--|---|---|---|--|
| <p><b>A</b> x10<br/>Ø6x35mm</p>  | <p><b>B</b> x10<br/>Ø15x10mm</p>  | <p><b>C</b> x9<br/>Ø6x30mm</p>     | <p><b>D</b> x20<br/>Ø4x35mm<br/>+1(spare)</p>  | <p><b>E</b> x56<br/>Ø3.5x12mm<br/>+4(spare)</p>  | <p><b>F</b> x8</p>  |
| <p><b>G</b> x8</p>               | <p><b>H</b> x8</p>                | <p><b>I</b> x4</p>                 | <p><b>J</b> x4</p>                             | <p><b>K</b> x4<br/>K-1 K-2 K-3</p>               | <p><b>L</b> x1</p>  |
| <p><b>M</b> x2<br/>M-1 M-2</p>   | <p><b>N</b> x2</p>                | <p><b>O</b> x12<br/>+1(spare)</p>  |   |   |  |

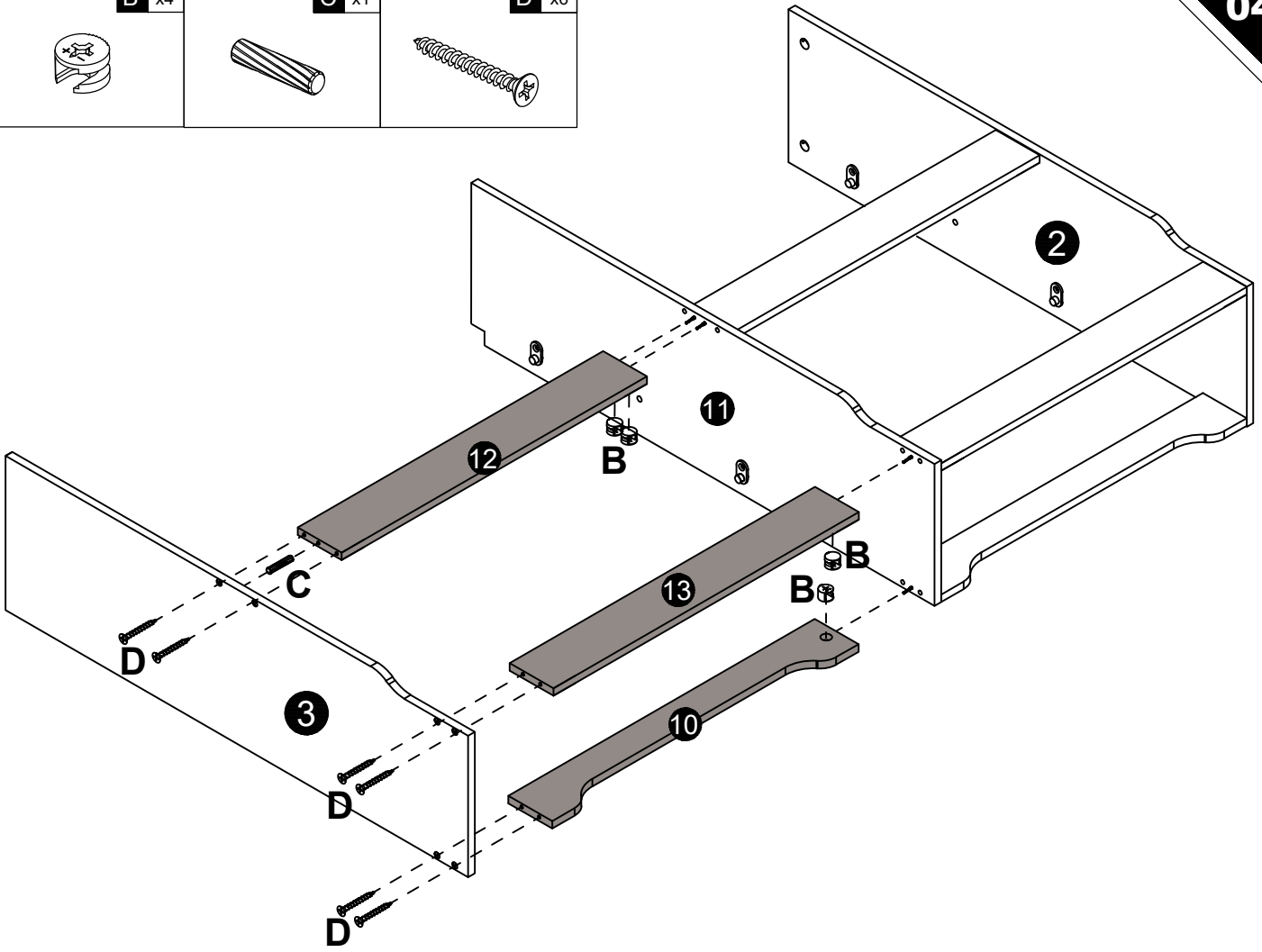
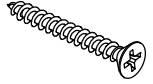




B x4

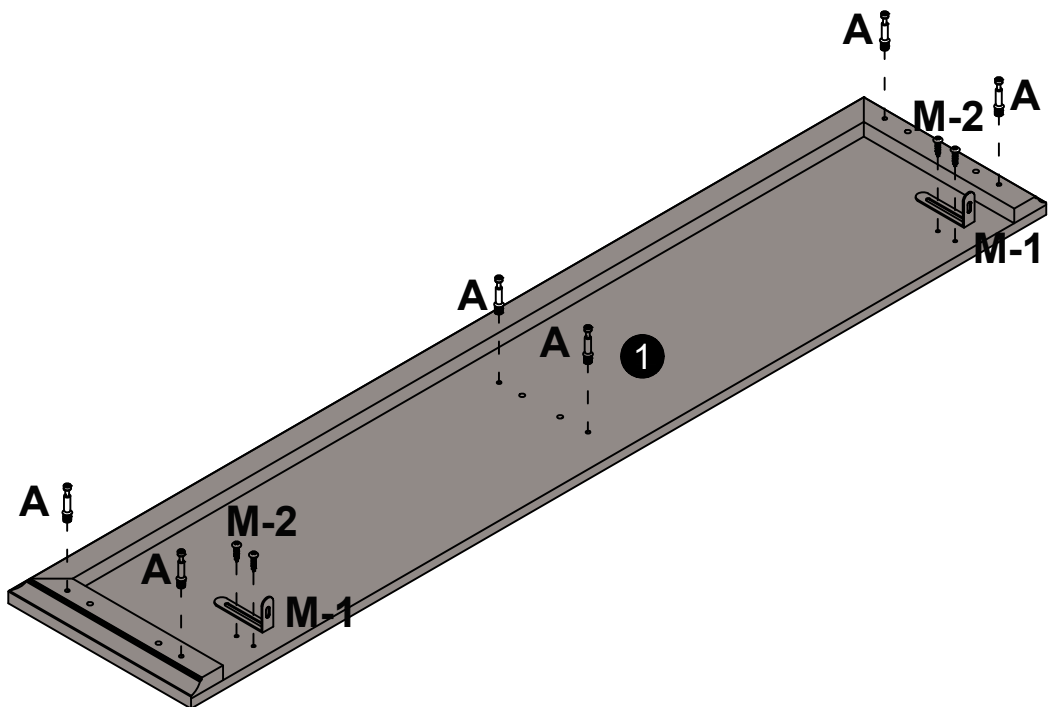
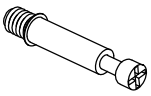
C x1

D x6



A x6

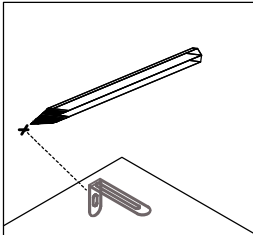
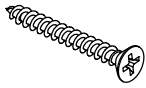
M x2





D x2

N x2



First fix the anti-rewind screw in the reserved hole of the product.

(1)x2

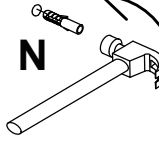
WALL



(2)x2

Then use a tape drill to make holes in the wall that are suitable for the product screws.

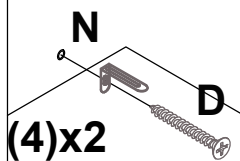
WALL



(3)x2

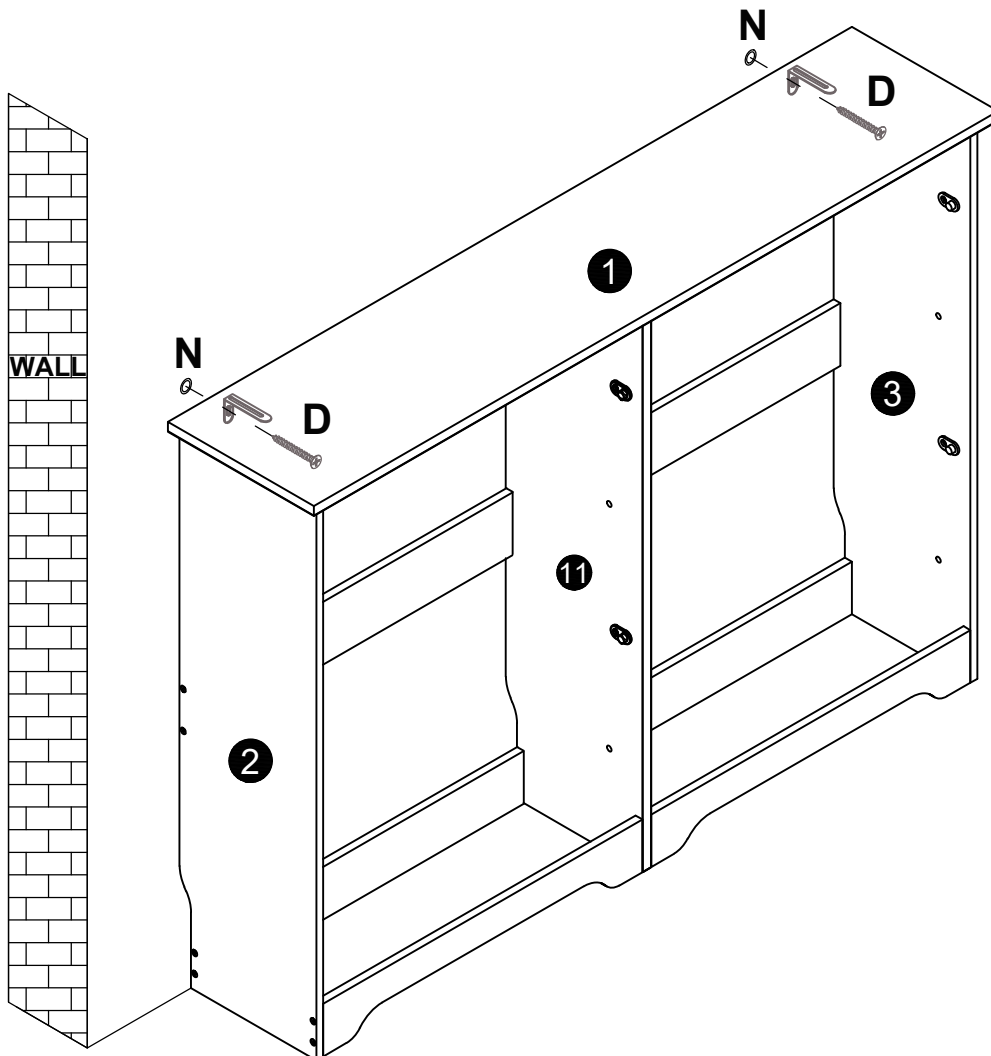
Then, put the expansion bolt into the hole

WALL



(4)x2

Finally, pass the matching screws through the "anti-rewind" and tighten them to fix them on the wall.



E x40

I x4

J x4

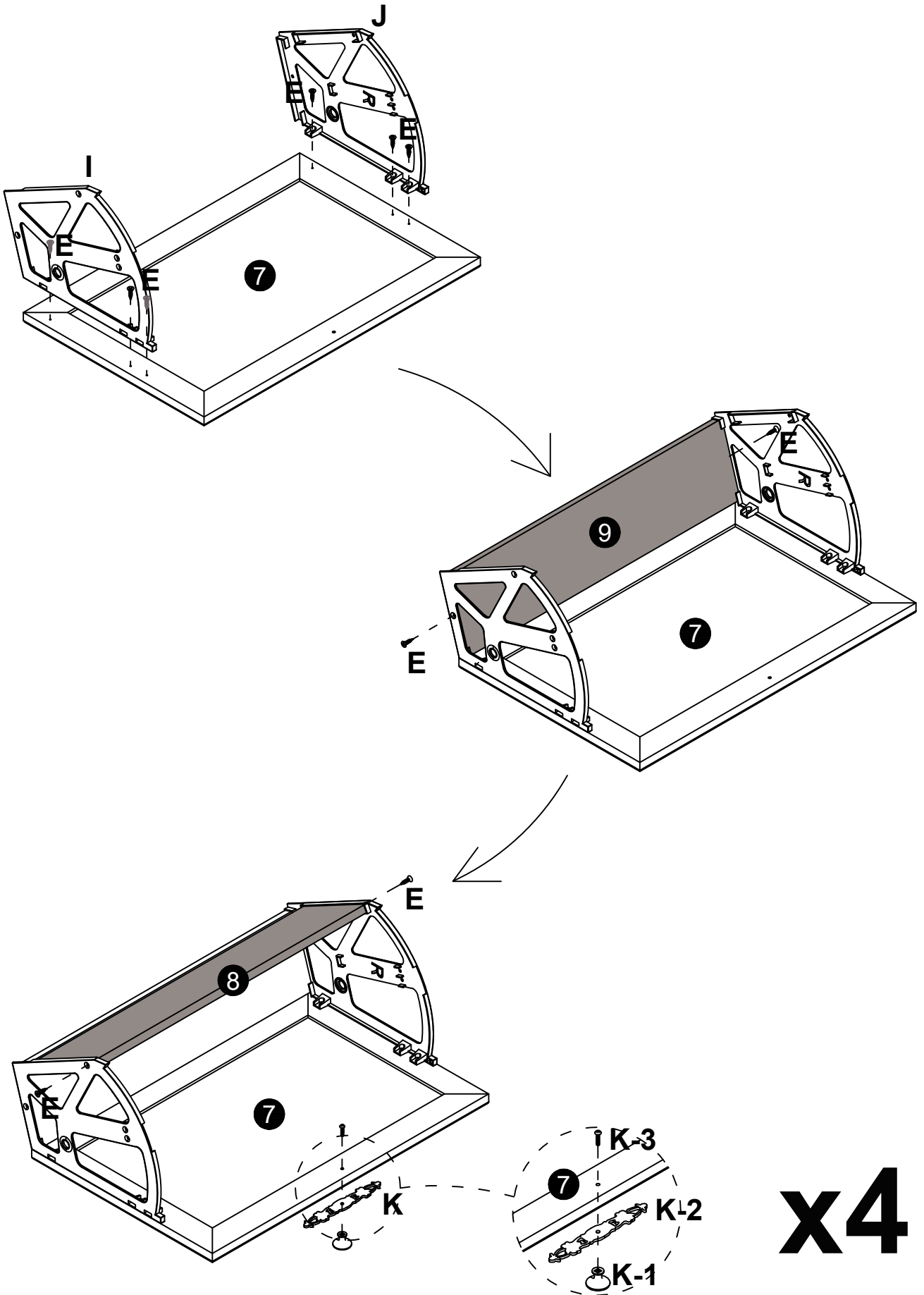
K x4



K-1

K-2

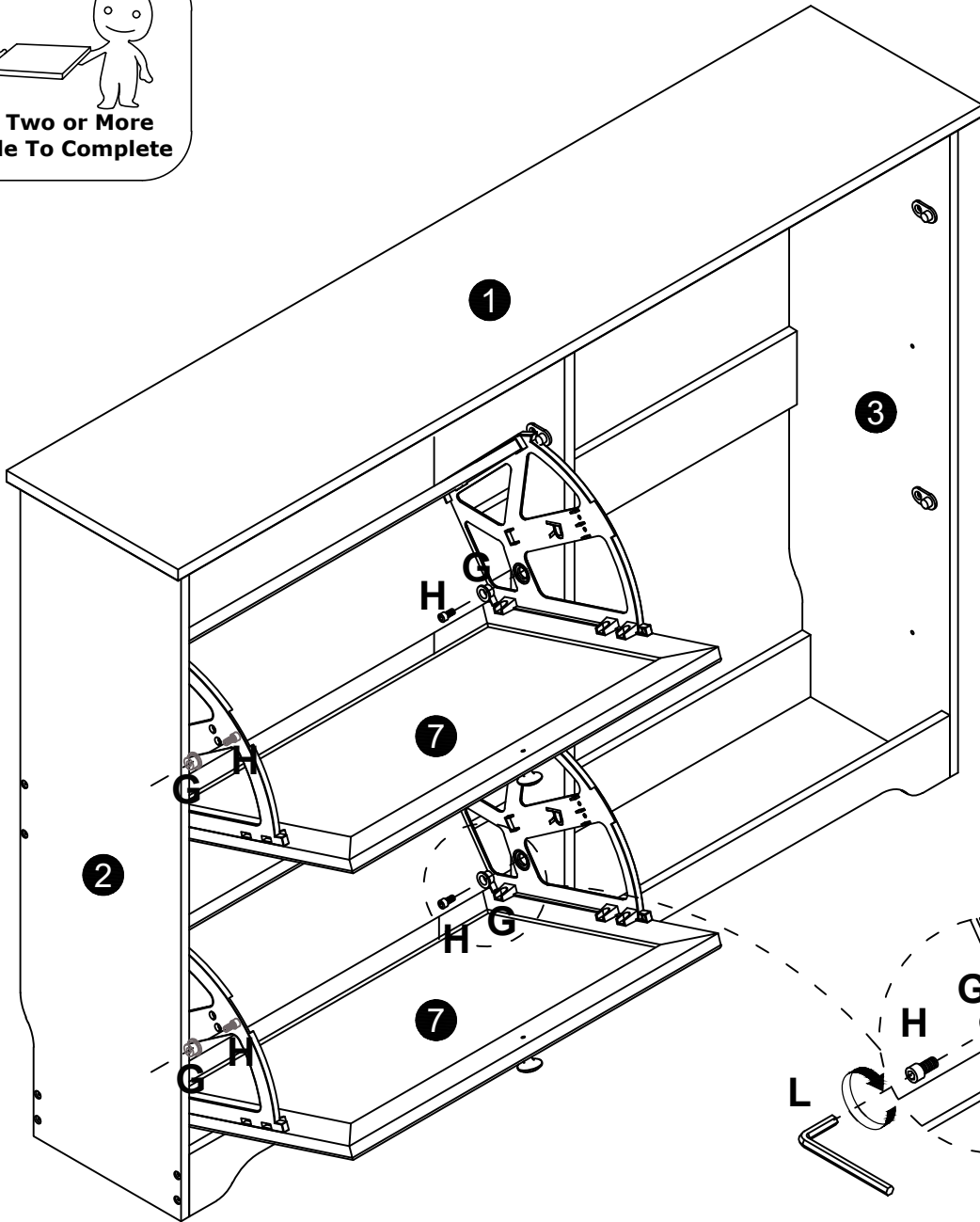
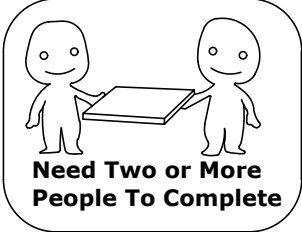
K-3

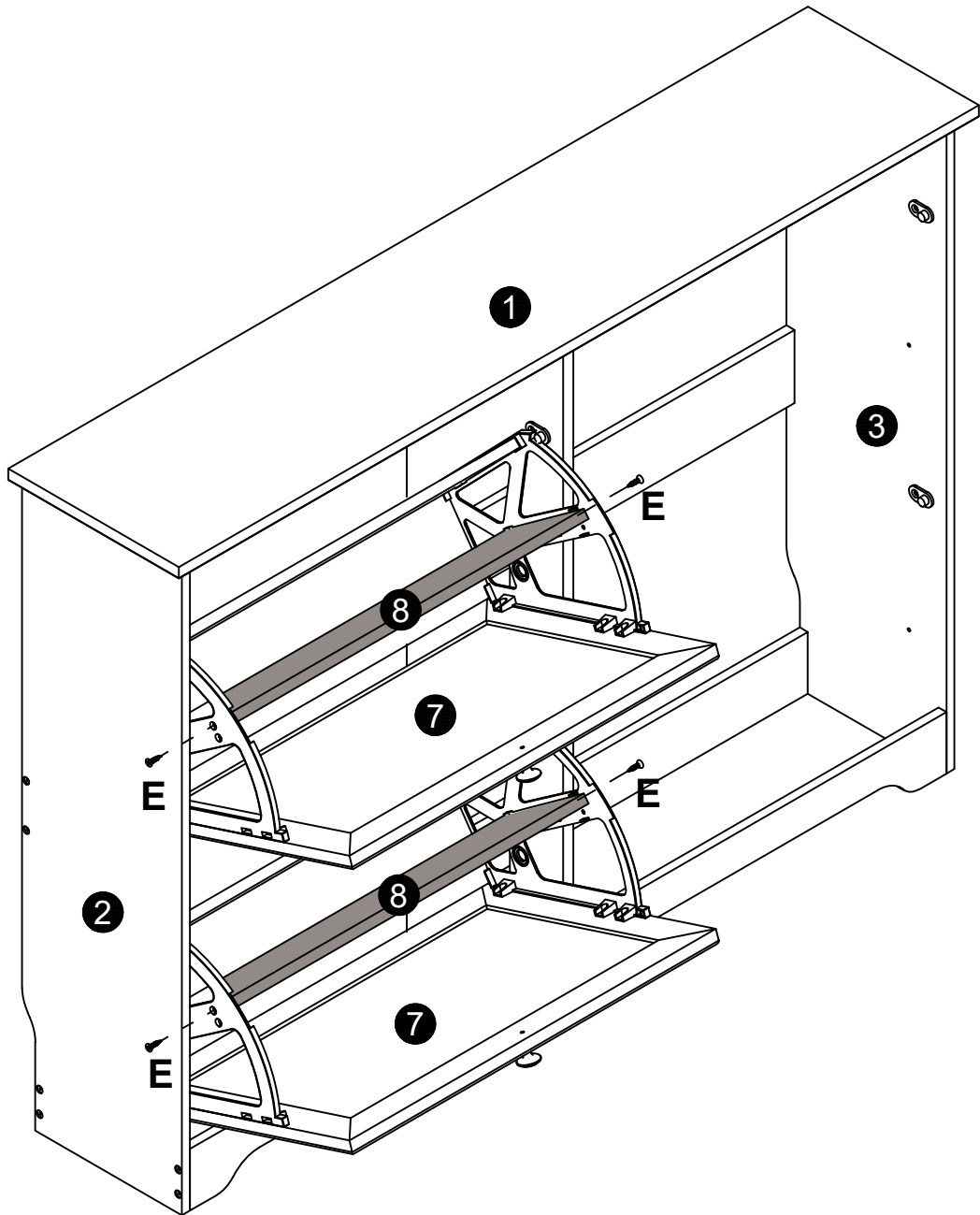


G x4

H x4

L x1





G x4

H x4

