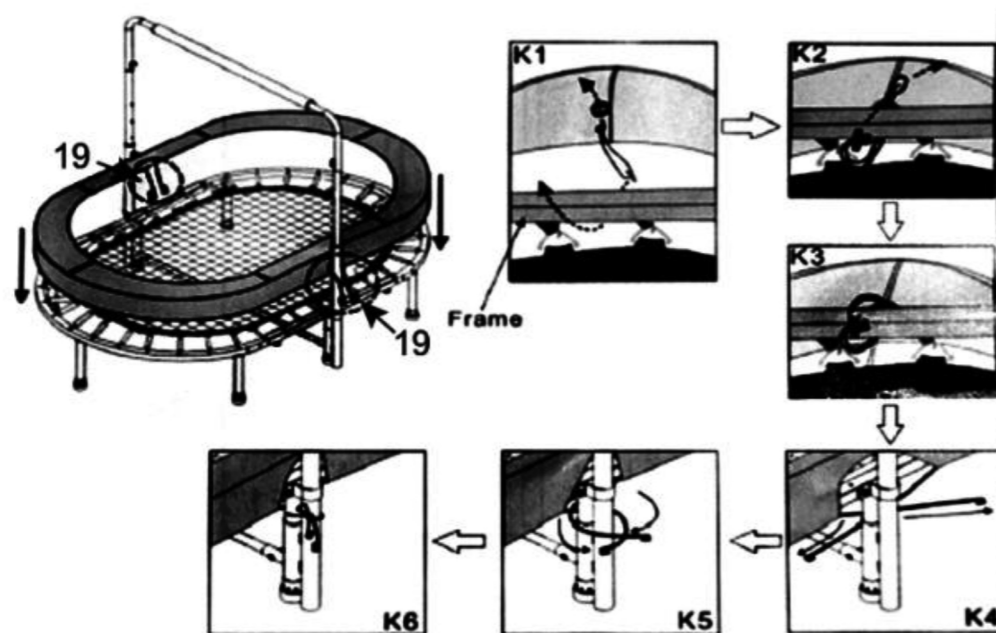


K: Put the cover on the frame and tighten it to the leg with rope to finish the assembly.



MERAX IS NOT RESPONSIBLE OR LIABLE FOR INDIRECT, SPECIAL OR CONSEQUENTIAL DAMAGES ARISING OUT OF OR IN CONNECTION WITH THE USE OR PERFORMANCE OF THE PRODUCT OR OTHER DAMAGES WITH RESPECT TO ANY ECONOMIC LOSS, LOSS OF PROPERTY, LOSS OF REVENUE OR PROFITS, LOSS OF ENJOYMENT OR USE, COST OF REMOVAL, INSTALLATION OR OTHER CONSEQUENTIAL DAMAGES. SOME STATES DO NOT ALLOW THE EXCLUSION OR LIMITATION OF INCIDENTAL OR CONSEQUENTIAL DAMAGES. ACCORDINGLY, THE ABOVE LIMITATION MAY NOT APPLY TO YOU.

Warranty: Three months on parts and One year on frame. Please contact the seller for free replacement parts within the warranty timeframe.

Trampoline Manual



WARNING:

MADE IN CHINA

ADULT ASSEMBLY REQUIRED

DO NOT attempt somersaults or flips. Paralysis or death can result if you land on your head or neck!

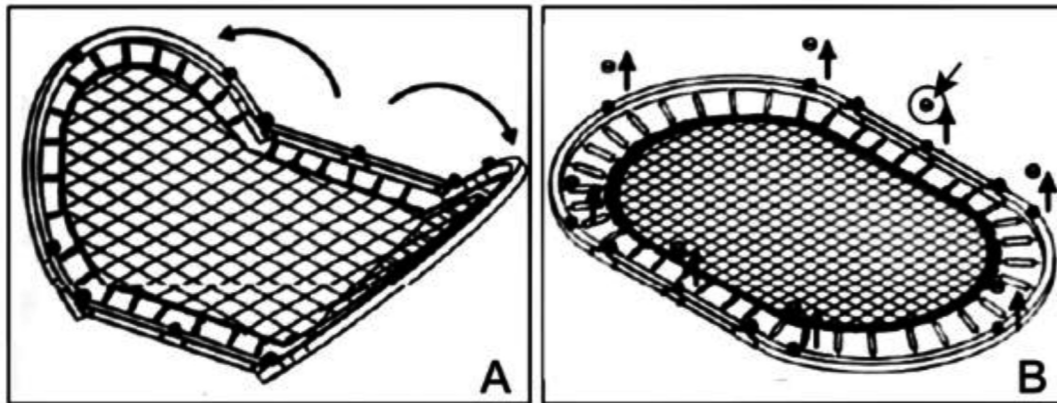
These instructions are important to minimize chances of injury. Please read them thoroughly before you assemble and use this trampoline.

Maximum weight of the user shall NOT exceed 220 lbs for this product. Save this manual for future reference.

Assembly and Installation Instructions

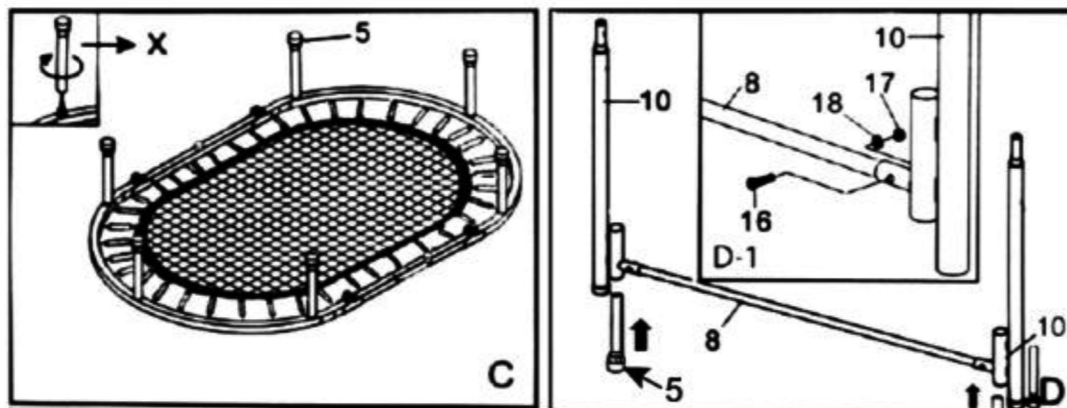
A: Take out the trampoline, check if all the springs are attached to the frame **[before]** you unfold the trampoline. Make sure all the springs are attached to the frame and then unfold the trampoline as shown in figure A.

B: Take off all the plastic caps from the frame, See figure B.



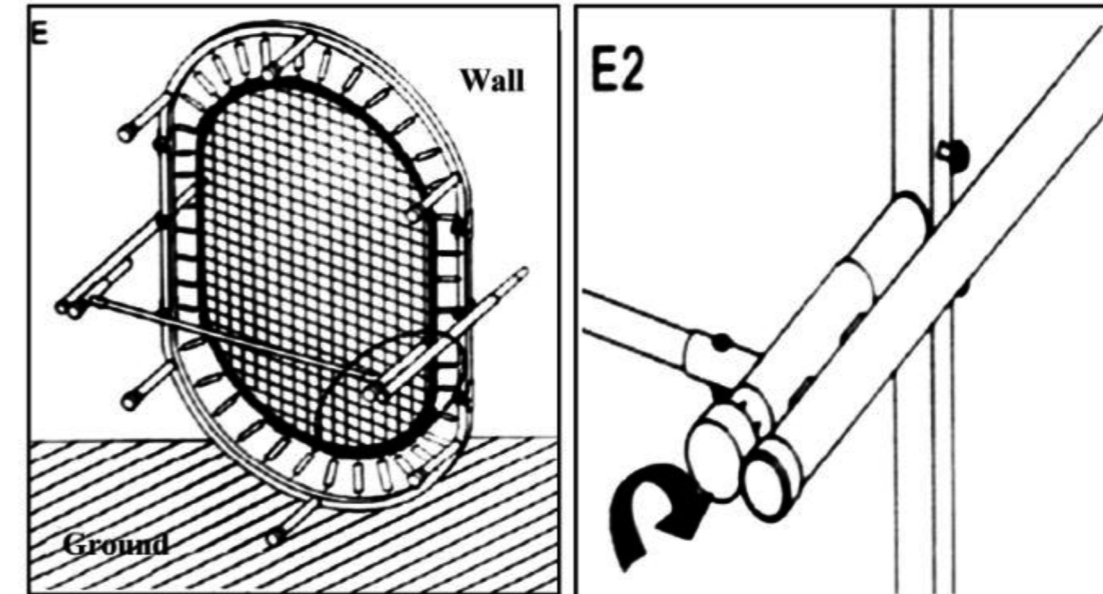
C: Take out the legs from the box and install 6 of the 8 legs to the frame as shown in figure C

D: Connect 2 bottom support (10) and central bar (8) with screws and then insert the remaining 2 legs (5) to the bottom support tube as shown in figure D.

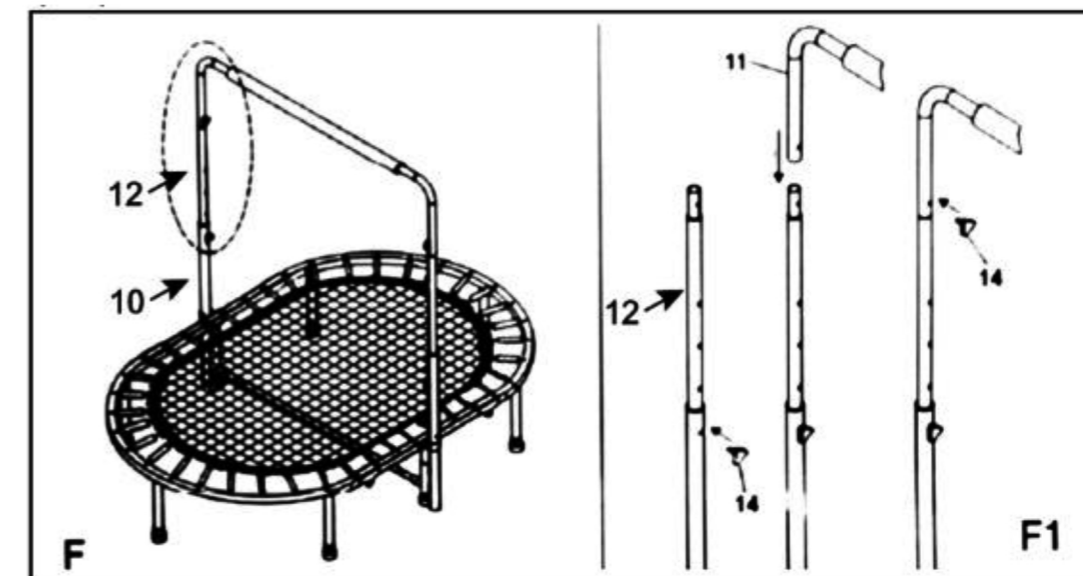


E: Lift up the trampoline frame, insert the bottom support tube set (installed in step D) to

the frame and tighten the 2 legs to the frame.



F: Connect the top support tube (12) and the sponge support tube to the bottom support tube (10) as shown in figure F.



H: Fix the whole support tube to the frame with screws as shown in figure H.