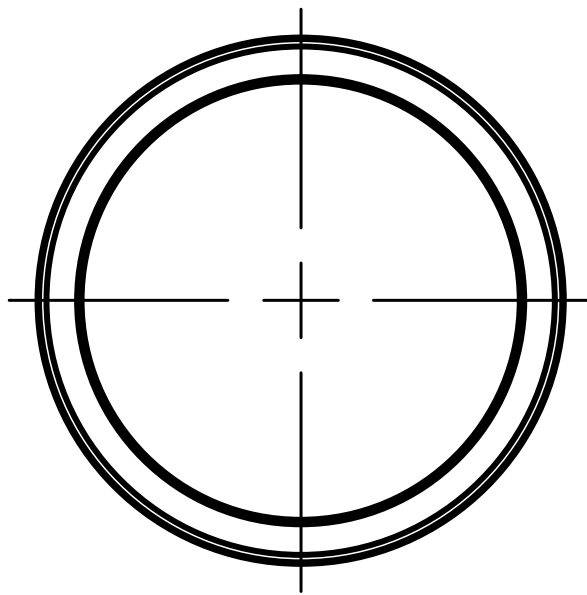


# INSTALLATION INSTRUCTIONS

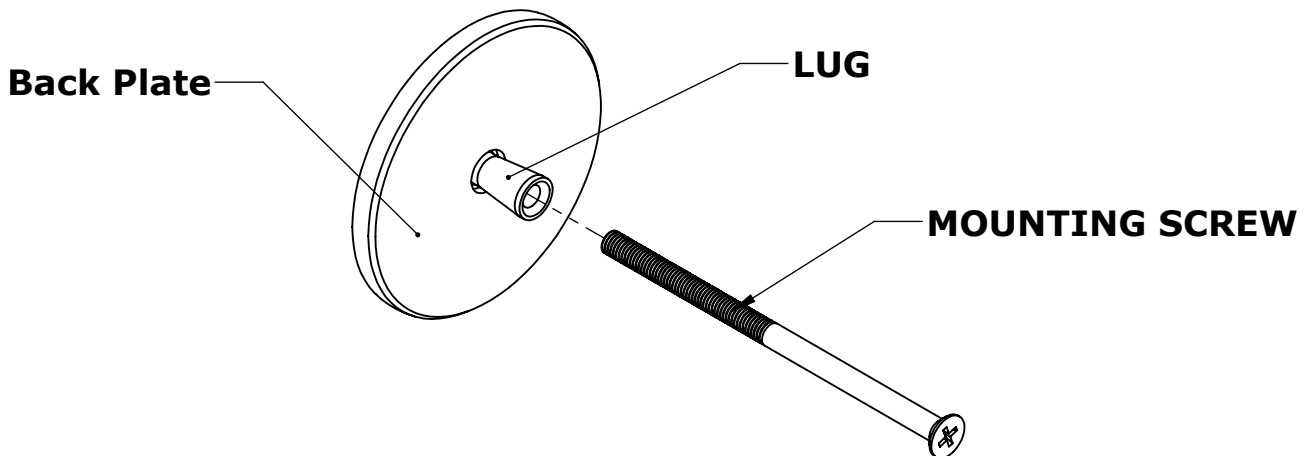
## Step 1: Drill Hole into the Wall

Measure and mark for a hole in the wall. Drill 1/2" hole into marks for Toggle Wing and screw.



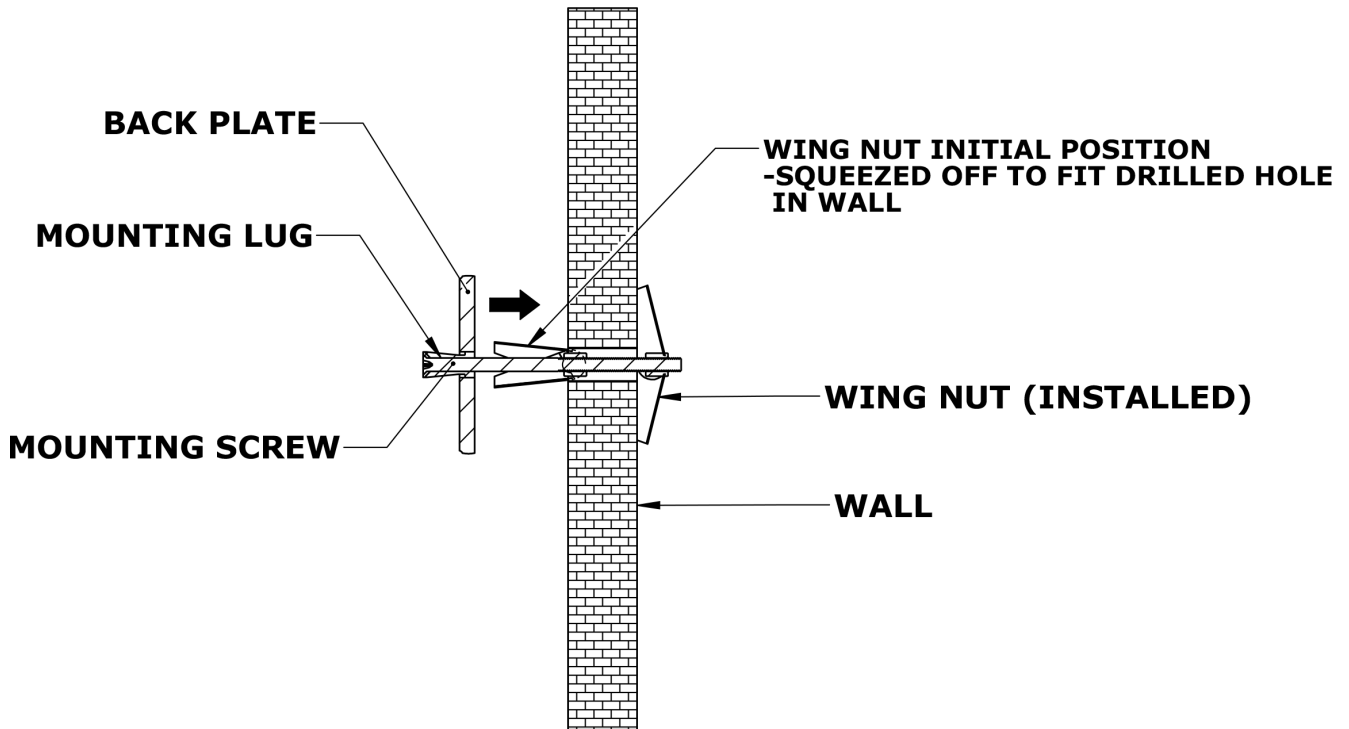
## Step 2: Mounting of Screw

Screw is inserted through the mounting lug so that it protrudes through other side of backplate.



### Step 3: Wing Nut Installation

Wing nut is attached to screw and pushed into wall. Make sure the head of the screw fits inside the countersink of the mounting lug. Make same process on mounting the other Back Plate.



### Step 4: Robe Hook Installation

Backplate is tightened against wall and Robe Hook is attached to mounting lug with the use of set screw.

