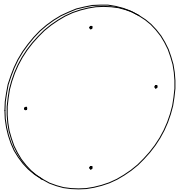
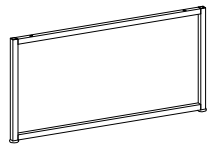
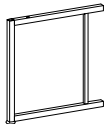
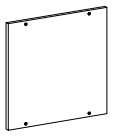
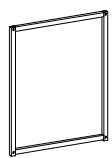


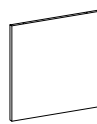
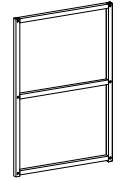


# ASSEMBLY INSTRUCTION


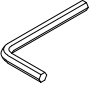
## O&K FURNITURE COFFEE TABLE SET

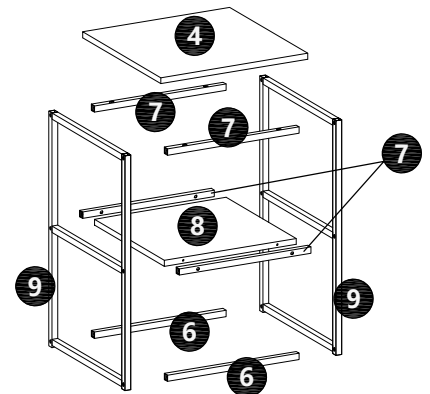
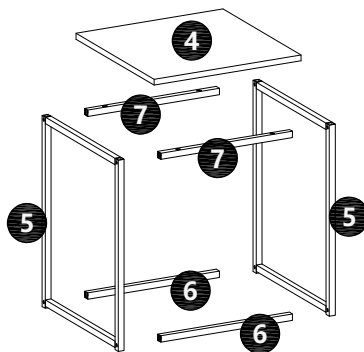
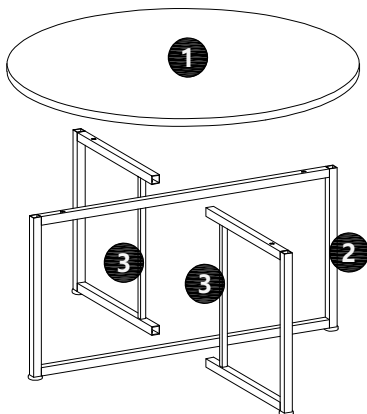
1. Extra Screws of A/B/C/D/E are provided in case of any screws missing in the boxes.
2. Please take the time to identify and count all parts as well as the hardware to this product.

### PART LIST

 Ø31.5"×0.71" <b>1 ×1PC</b>	 <b>2 ×1PC</b>	 <b>3 ×2PCS</b>	 15.75"×15.75"×0.59" <b>4 ×2PCS</b>
 <b>5 ×2PCS</b>	 <b>6 ×4PCS</b>  <b>7 ×6PCS</b>	 14.1"×14.1"×0.59" <b>8 ×1PC</b>	 <b>9 ×2PCS</b>

### HARDWARE

 M6×12mm <b>A×12PCS</b>	 M6×25mm <b>B×8PCS</b>	 M6×30mm <b>C×4PCS</b>	 M6×35mm <b>D×20PCS</b>	 M7×37mm <b>E×4PCS</b>	 <b>F×2PCS</b>	 4mm <b>G×1PC</b>
--	---	---	--	---	--	--



**NOTED:**

1. It is recommended that this item should be assembled by two adults.
2. Assemble this item on a soft surface, such as cardboard or carpet, to protect finish.

**For product assistance and warranty information, please contact O&K Furniture before return this product:**  
 Customer Service: [okservice@golden-south.com](mailto:okservice@golden-south.com)

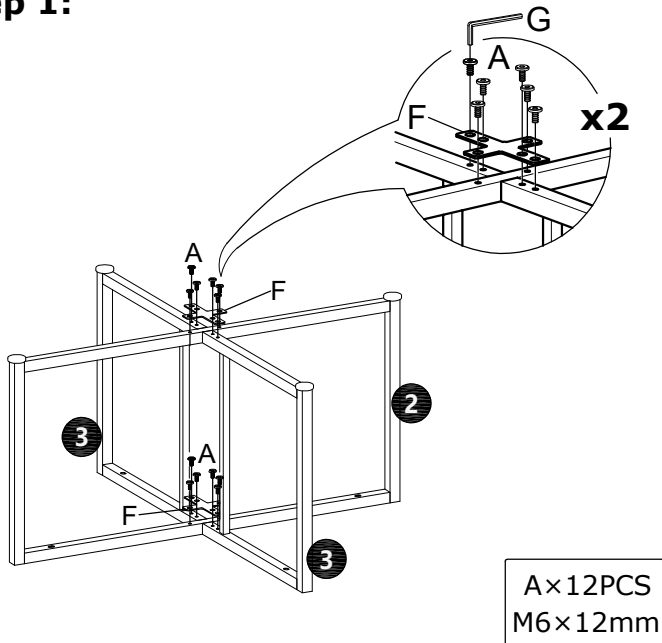
Please provide us with following information, so that it will be easier to resolve your problem smoothly.

1. Order ID:
2. Pictures of Your Items Damage or Parts Missing:

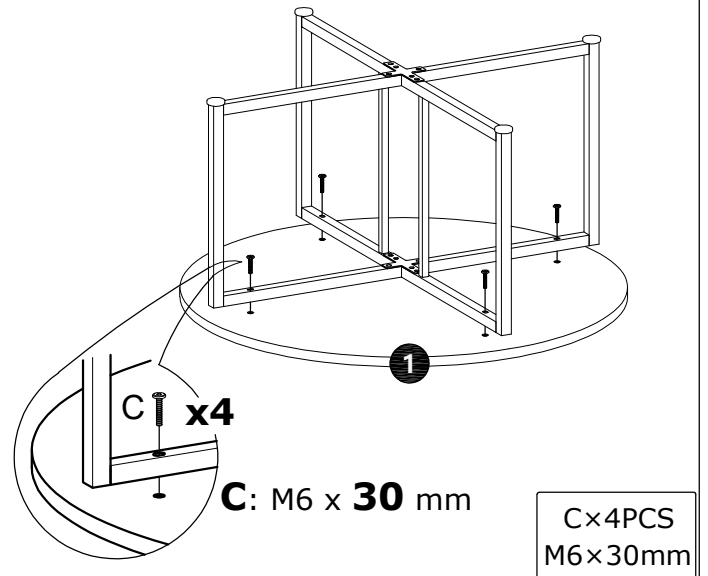
**THANK YOU FOR PURCHASING OUR FURNITURE, IT IS AN HONOR TO BE IN YOUR HOME!**

**NOTED:** Please do not tighten all bolts until the products is assembled completely.

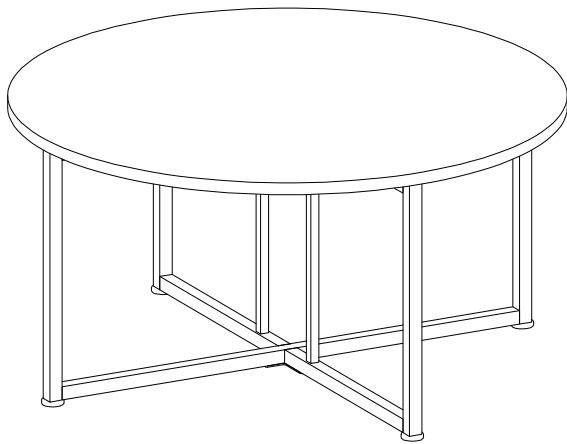
**Step 1:**



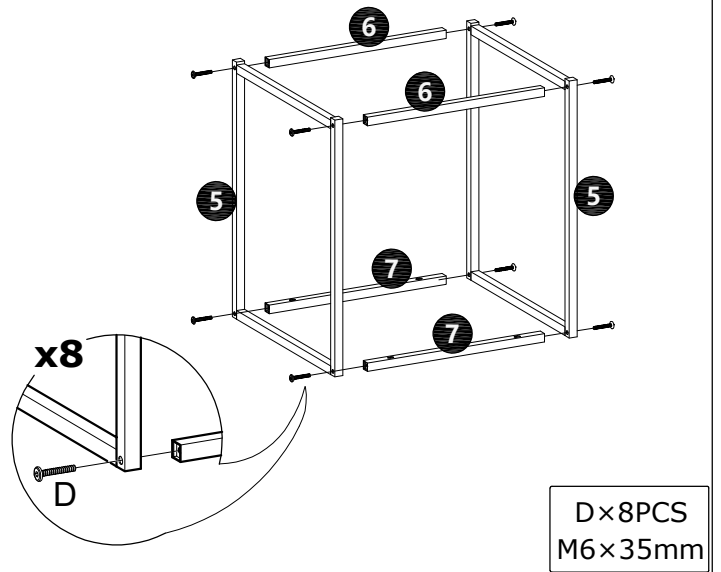
**Step 2:**



**Step 3:**

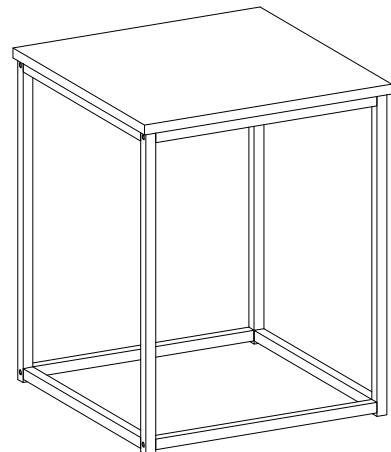
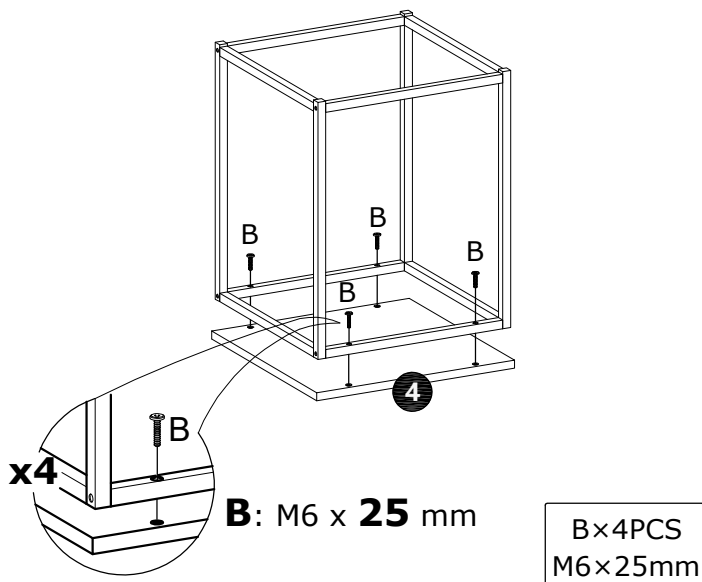


**Step 4:**

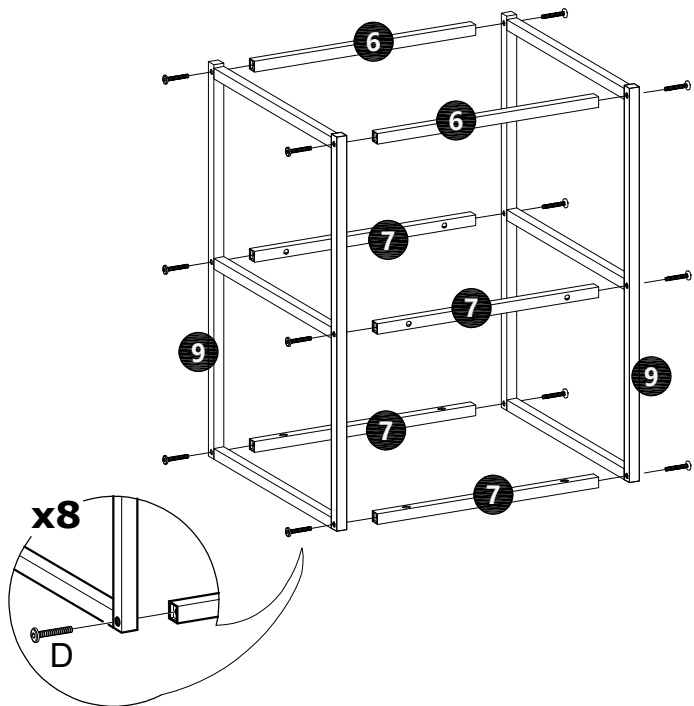


**Step 5:** NOTE: Pay attention to the length of screws B.

**Step 6:**

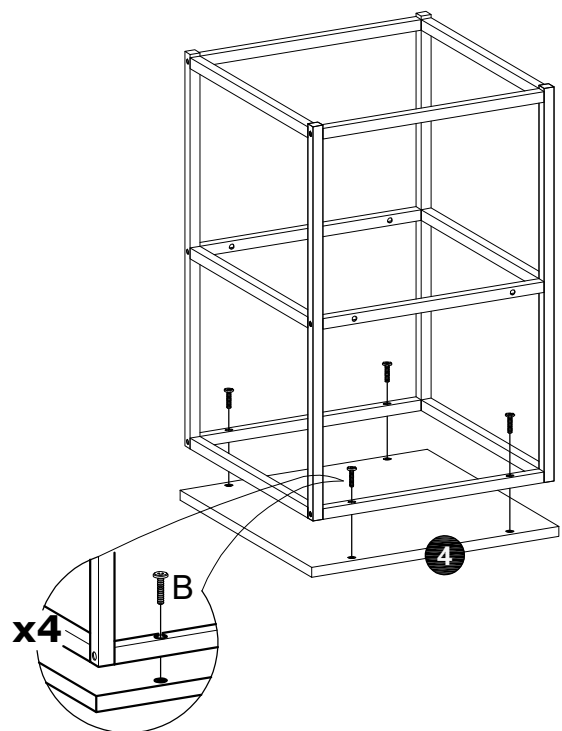


### Step 7:



D×12PCS  
M6×35mm

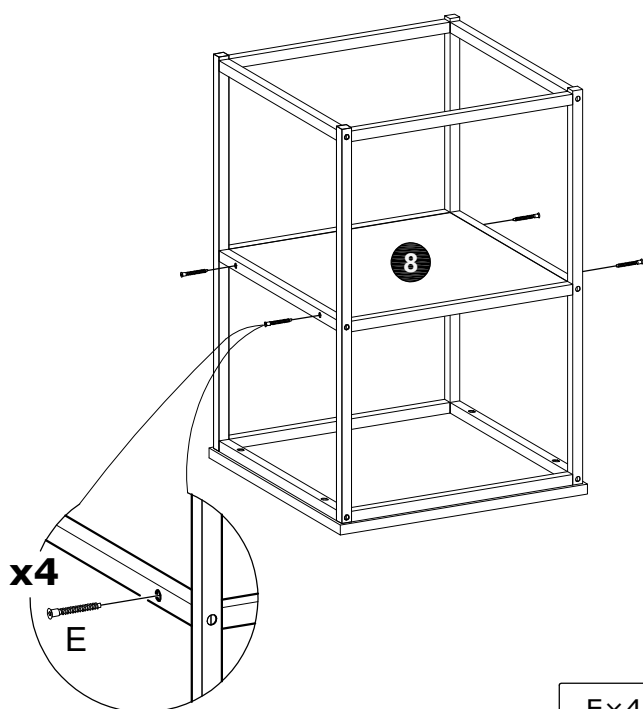
### Step 8:



B: M6 x 25 mm

B×4PCS  
M6×25mm

### Step 9:



E×4PCS  
M7×37mm

### Step 10:

